



US00D359636S

United States Patent [19]

Rosenberg

[11] Patent Number: **Des. 359,636**

[45] Date of Patent: **** Jun. 27, 1995**

[54] **ORGANIZER FOR ELECTRONIC CONTROLS SUCH AS TELEVISION SETS, VIDEO EQUIPMENT, AND CORDLESS TELEPHONE**

[76] Inventor: **Mervyn R. Rosenberg**, 4951 SW. 88th Ter., Cooper City, Fla. 33328

[**] Term: **14 Years**

[21] Appl. No.: **8,531**

[22] Filed: **May 19, 1993**

[52] U.S. Cl. **D6/467**

[58] Field of Search **D6/466, 467, 469, 485; 211/13, 14, 15; 273/148 B; 248/310, 176; 108/43**

[56] **References Cited**

U.S. PATENT DOCUMENTS

4,712,693 12/1987 Striplin 211/13 X
4,991,892 2/1991 Burrell 211/13 X

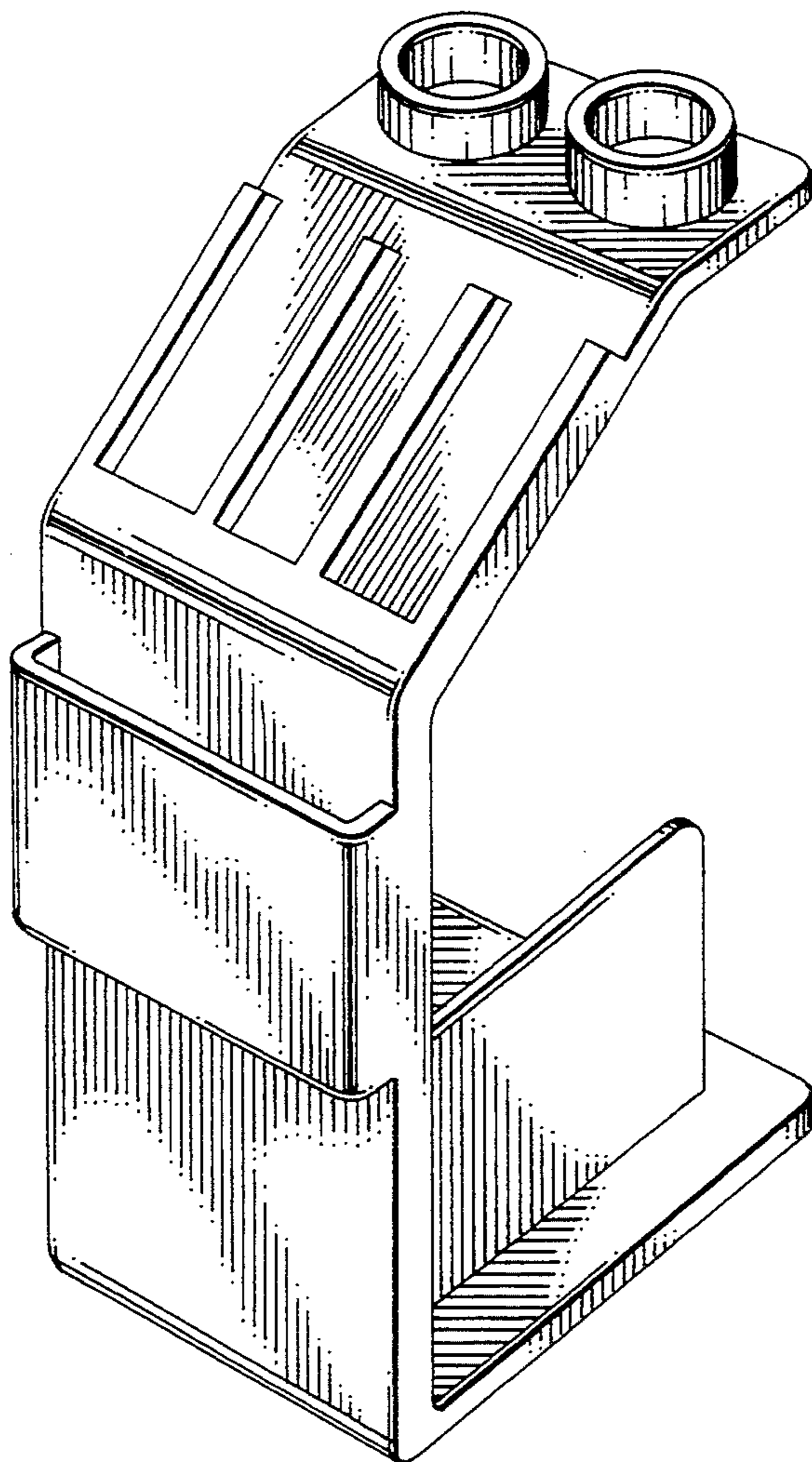
Primary Examiner—Alan P. Douglas
Assistant Examiner—S. Snapp
Attorney, Agent, or Firm—Malloy & Malloy

[57] **CLAIM**

The ornamental design for an organizer for electronic controls such as television sets, video equipment, and cordless telephone, as shown and described.

DESCRIPTION

FIG. 1 is perspective view of the device;
FIG. 2 is a right side elevation view which is a mirror image of a left side elevation view;
FIG. 3 is a front elevation view;
FIG. 4 is a rear elevation view;
FIG. 5 is a top plan view; and,
FIG. 6 is a bottom plan view.



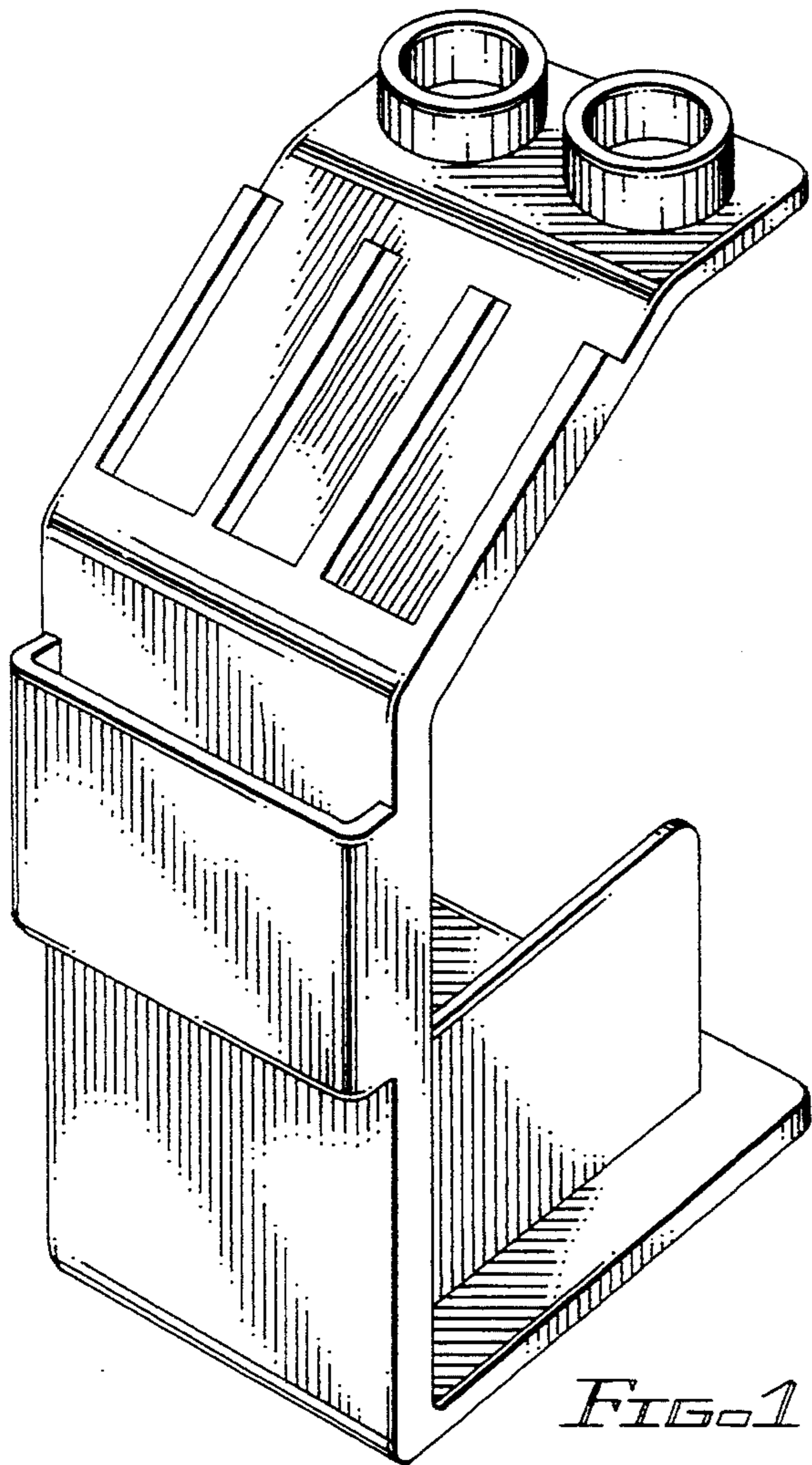


FIG. 1

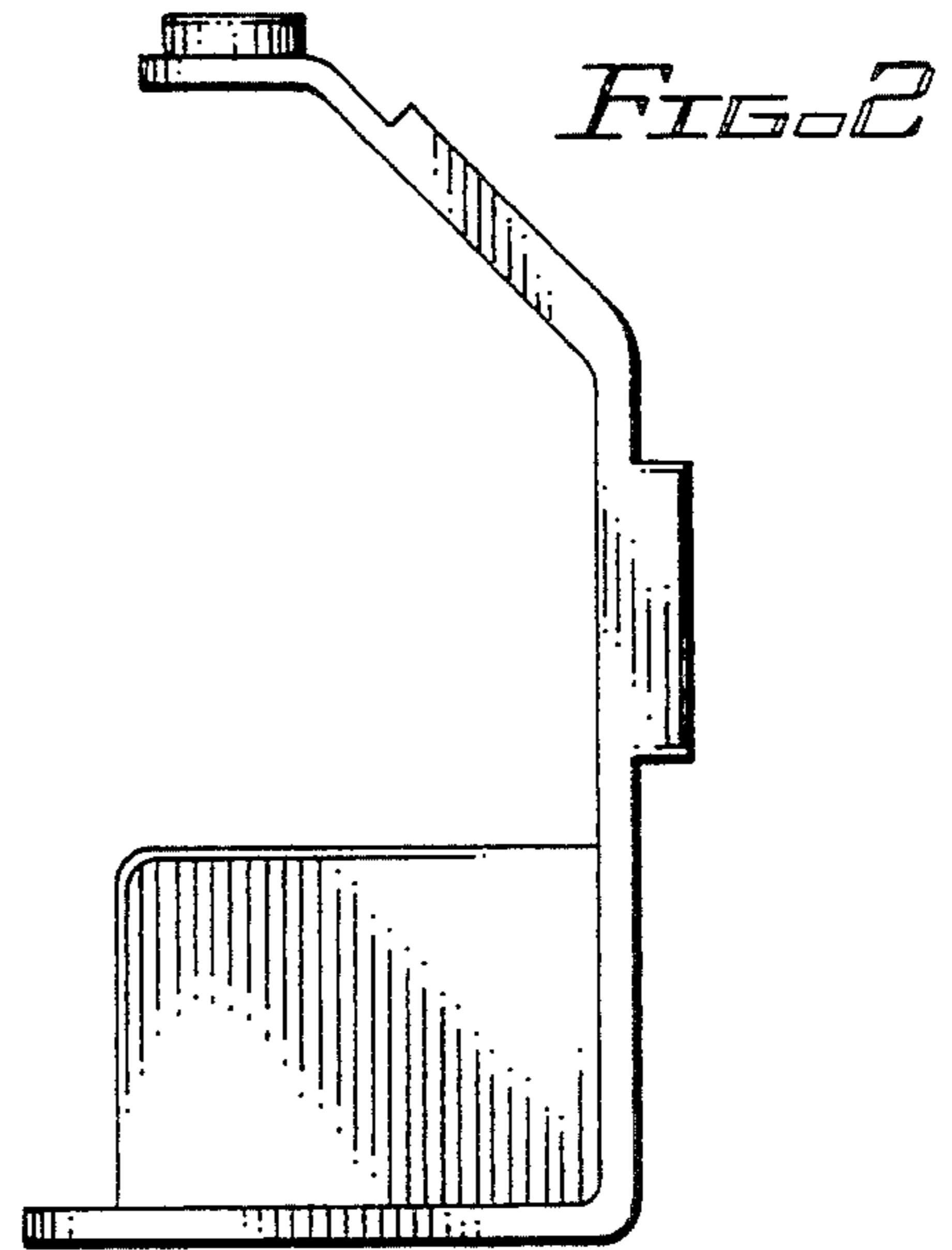


FIG. 2

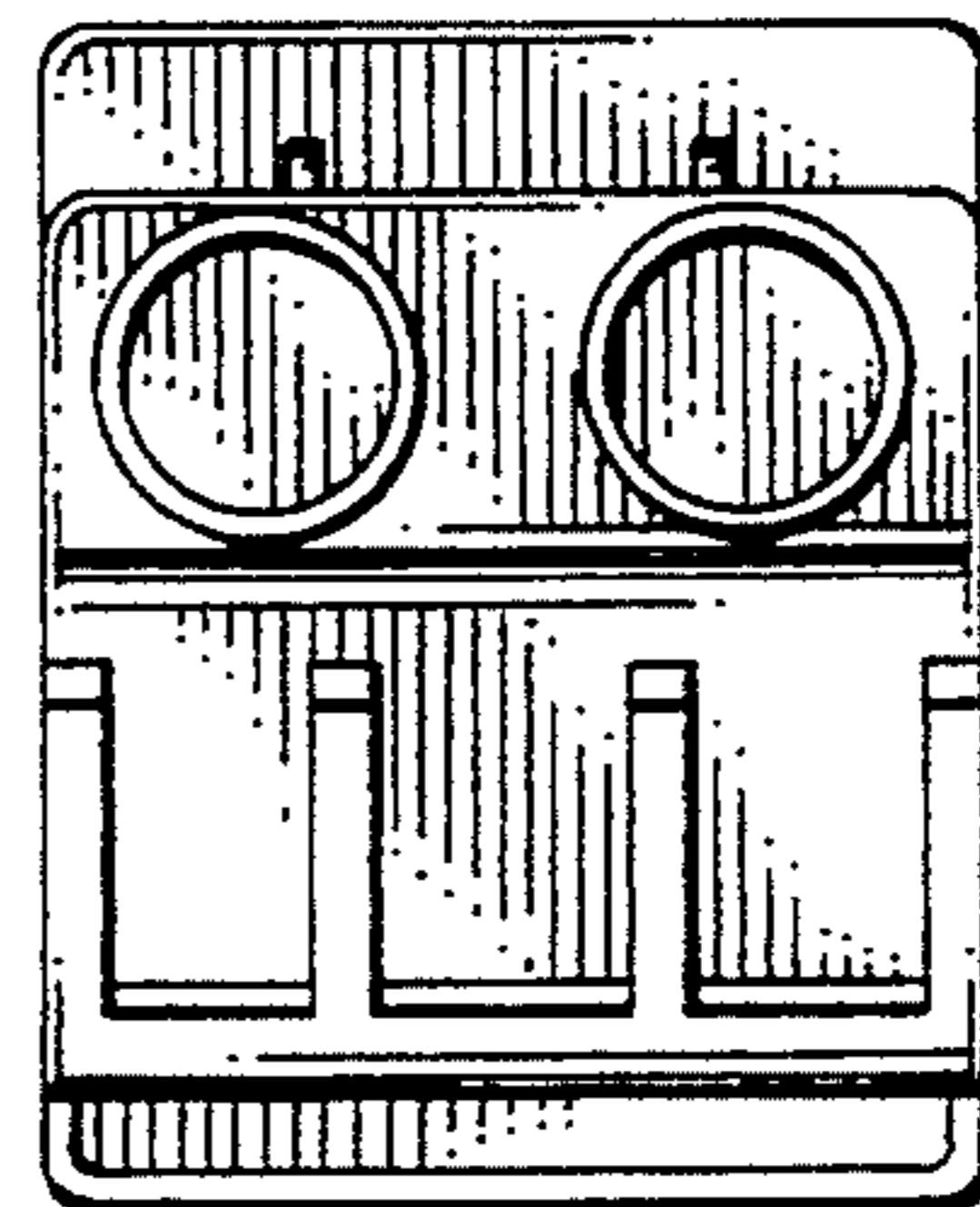


FIG. 5

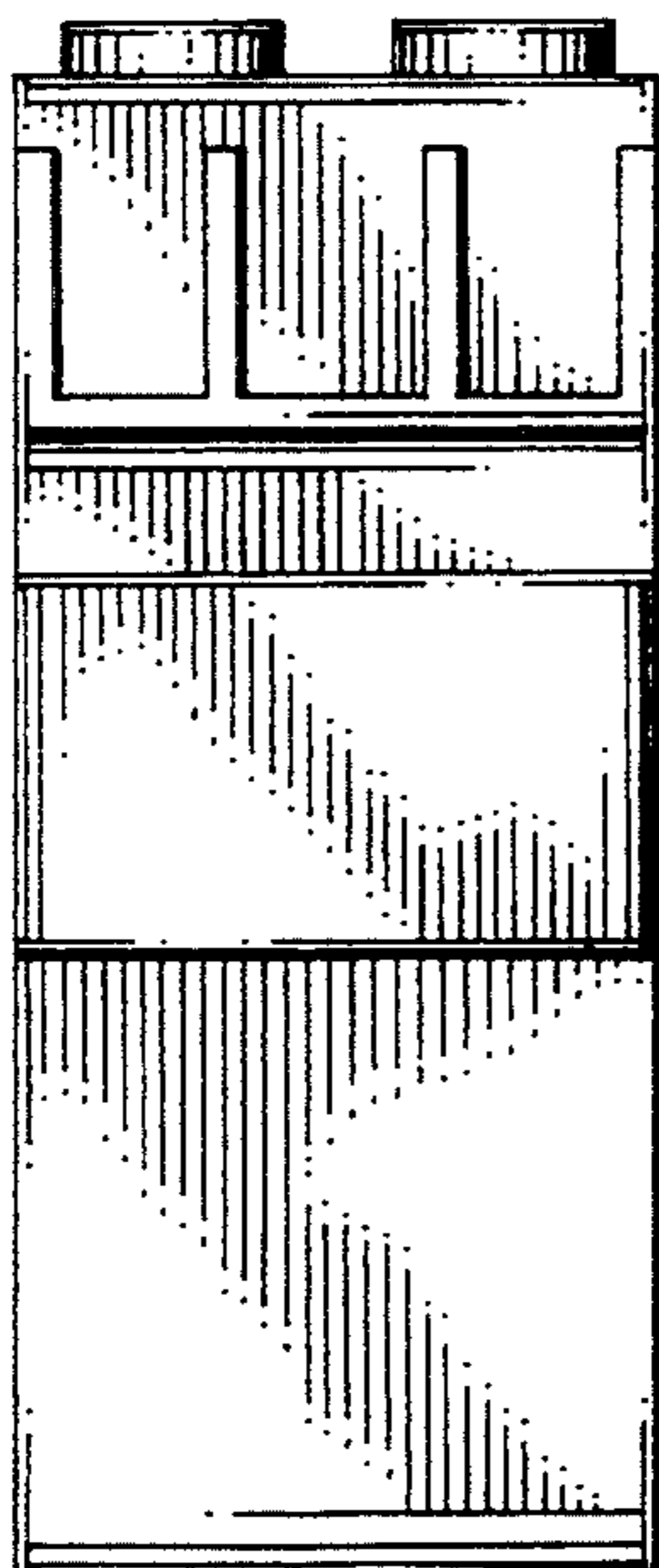


FIG. 3

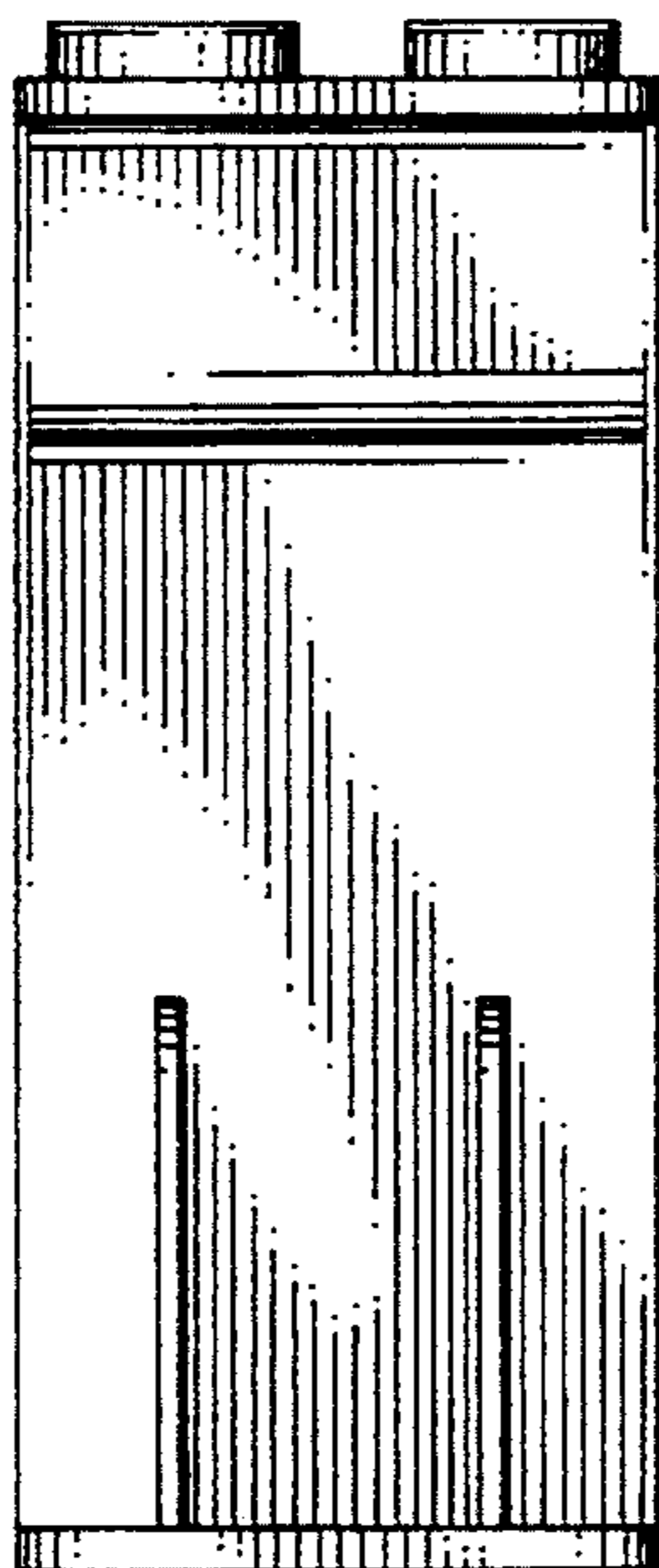


FIG. 4

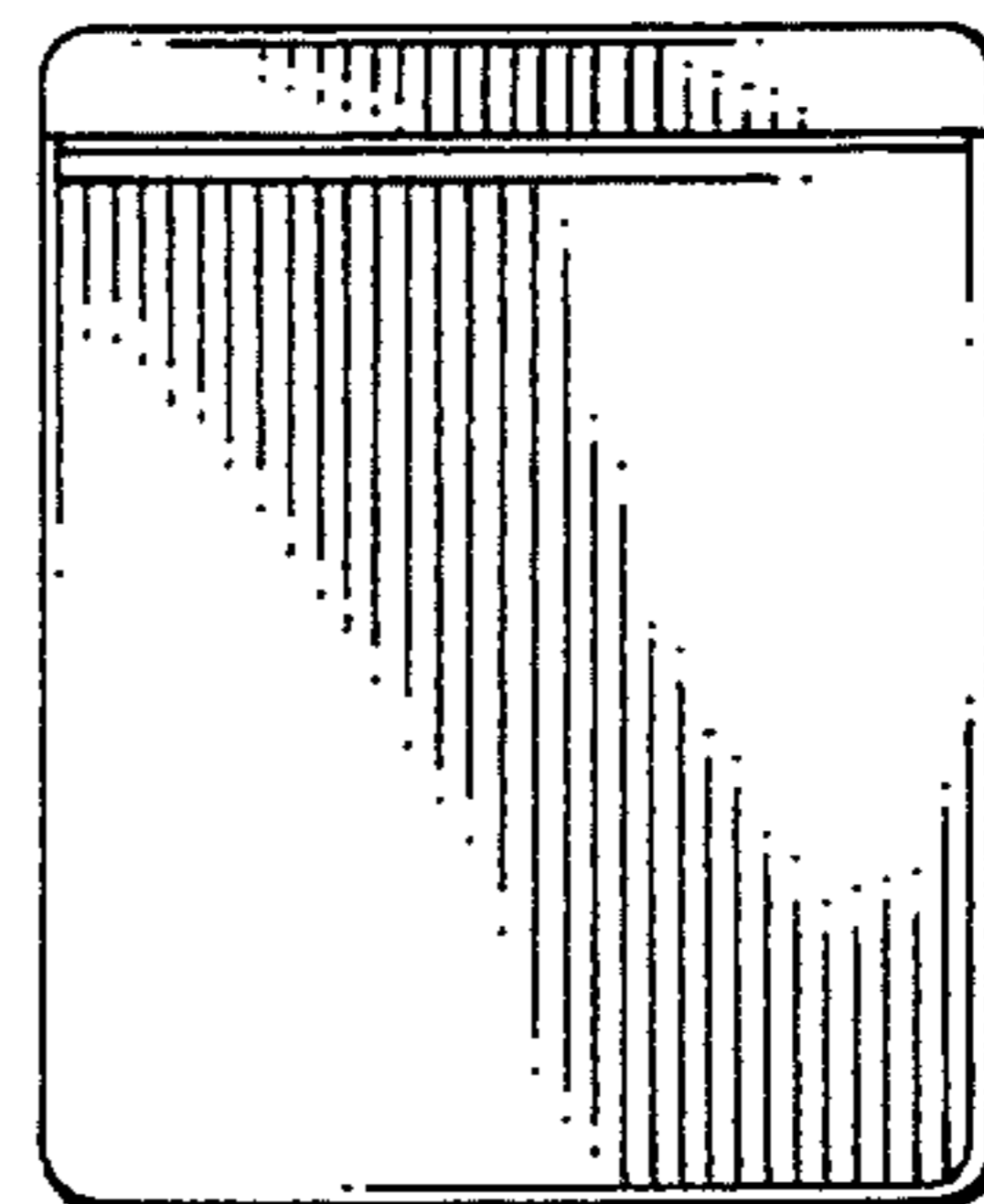


FIG. 6