



US00D359633S

# United States Patent [19] Bubb

[11] Patent Number: **Des. 359,633**

[45] Date of Patent: **\*\* Jun. 27, 1995**

[54] **STUDY CARREL**

[75] Inventor: **James D. Bubb**, Reston, Va.

[73] Assignee: **The Worden Company**, Holland, Mich.

[\*\*] Term: **14 Years**

[21] Appl. No.: **14,363**

[22] Filed: **Oct. 19, 1993**

[52] U.S. Cl. .... **D6/421**

[58] Field of Search ..... **D6/421-428;**  
312/194-196; 52/36.1; 108/2, 5, 6, 59, 60, 64

[56] **References Cited**

**U.S. PATENT DOCUMENTS**

D. 215,098	9/1969	Wilcox	.....	D6/421
D. 216,025	11/1969	Gianfagna	.....	D6/421
D. 216,991	3/1970	Gianfagna	.....	D6/421
D. 217,088	4/1970	Gianfagna et al.	.....	D6/421
D. 218,526	8/1970	MacDuff	.....	D6/421
D. 220,111	3/1971	Gianfagna	.....	D6/421
D. 240,379	7/1976	Selinger	.....	D6/421
D. 252,635	8/1979	Richgels	.....	D6/421
D. 283,958	5/1986	Payne, Jr.	.....	D6/426
D. 341,271	11/1993	Pesso	.....	D6/421

D. 341,272 11/1993 *Pesso* ..... D6/421

*Primary Examiner*—Carmen H. Vales-Lado  
*Attorney, Agent, or Firm*—Barnes, Kisselle, Raisch,  
Choate, Whittemore & Hulbert

[57] **CLAIM**

The ornamental design for a study carrel, as shown and described.

**DESCRIPTION**

FIG. 1 is a perspective view of a study carrel showing my new design, the opposite side being a mirror image thereof;

FIG. 2 is a top plan view thereof;

FIG. 3 is a front elevational view thereof;

FIG. 4 is a rear elevational view thereof;

FIG. 5 is a side view, the opposite side being a mirror image thereof;

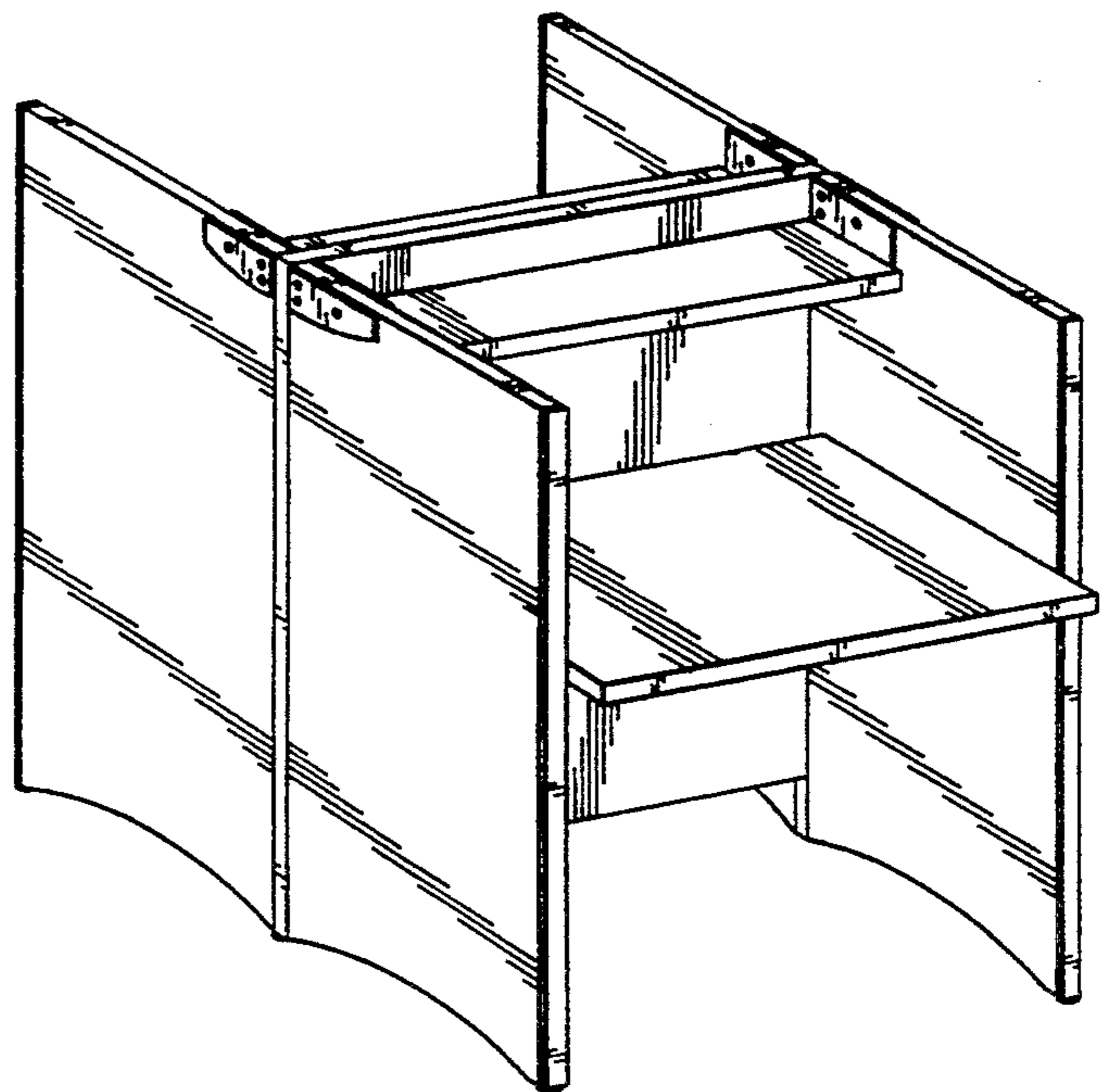
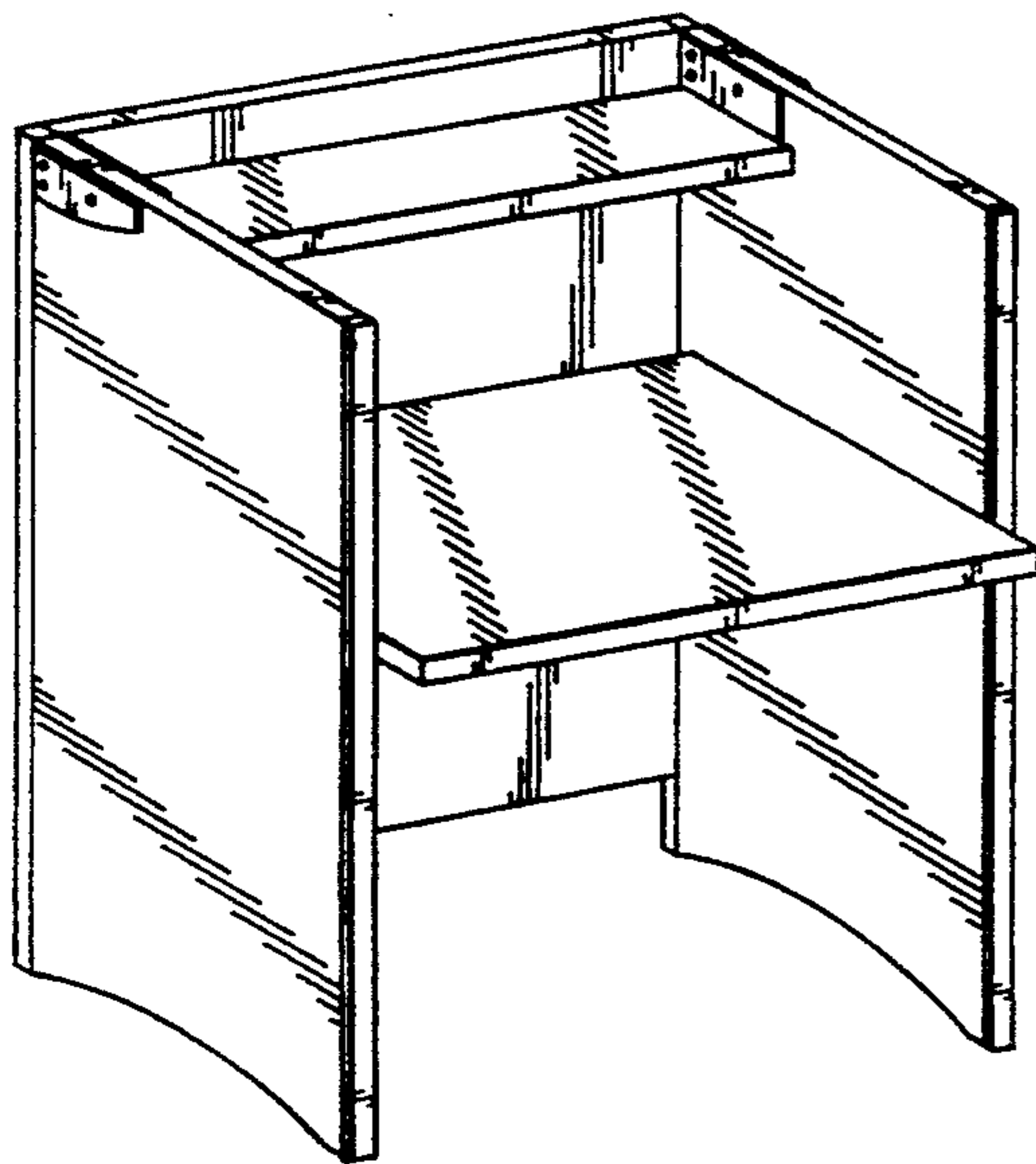
FIG. 6 is a perspective view of a modified form of the study carrel shown in FIG. 1, the opposite side being a mirror image thereof;

FIG. 7 is a top plan view thereof;

FIG. 8 is a front elevational view thereof;

FIG. 9 is a rear view thereof; and,

FIG. 10 is a side elevational view, the opposite side being identical thereto.



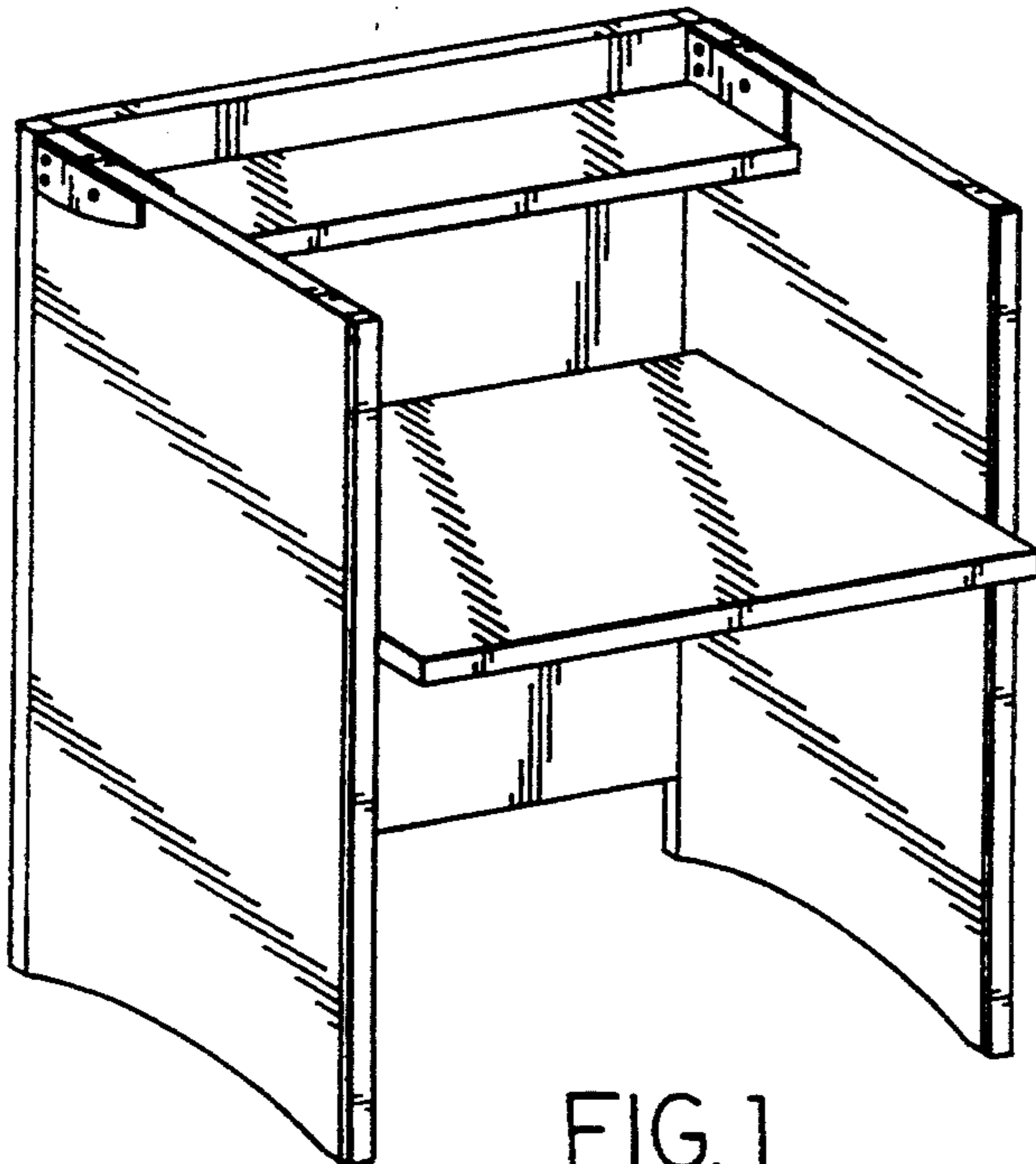


FIG. 1

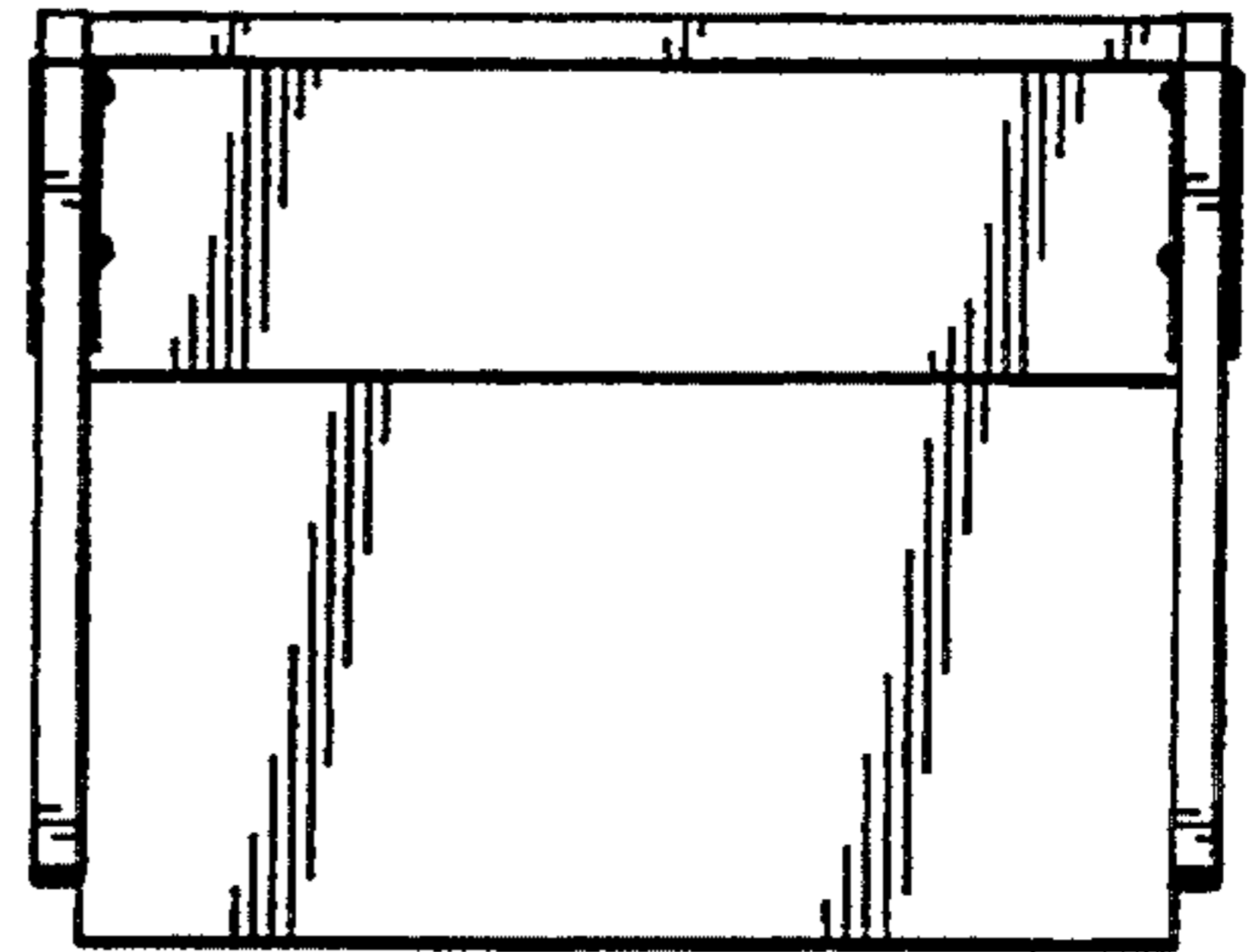


FIG. 2

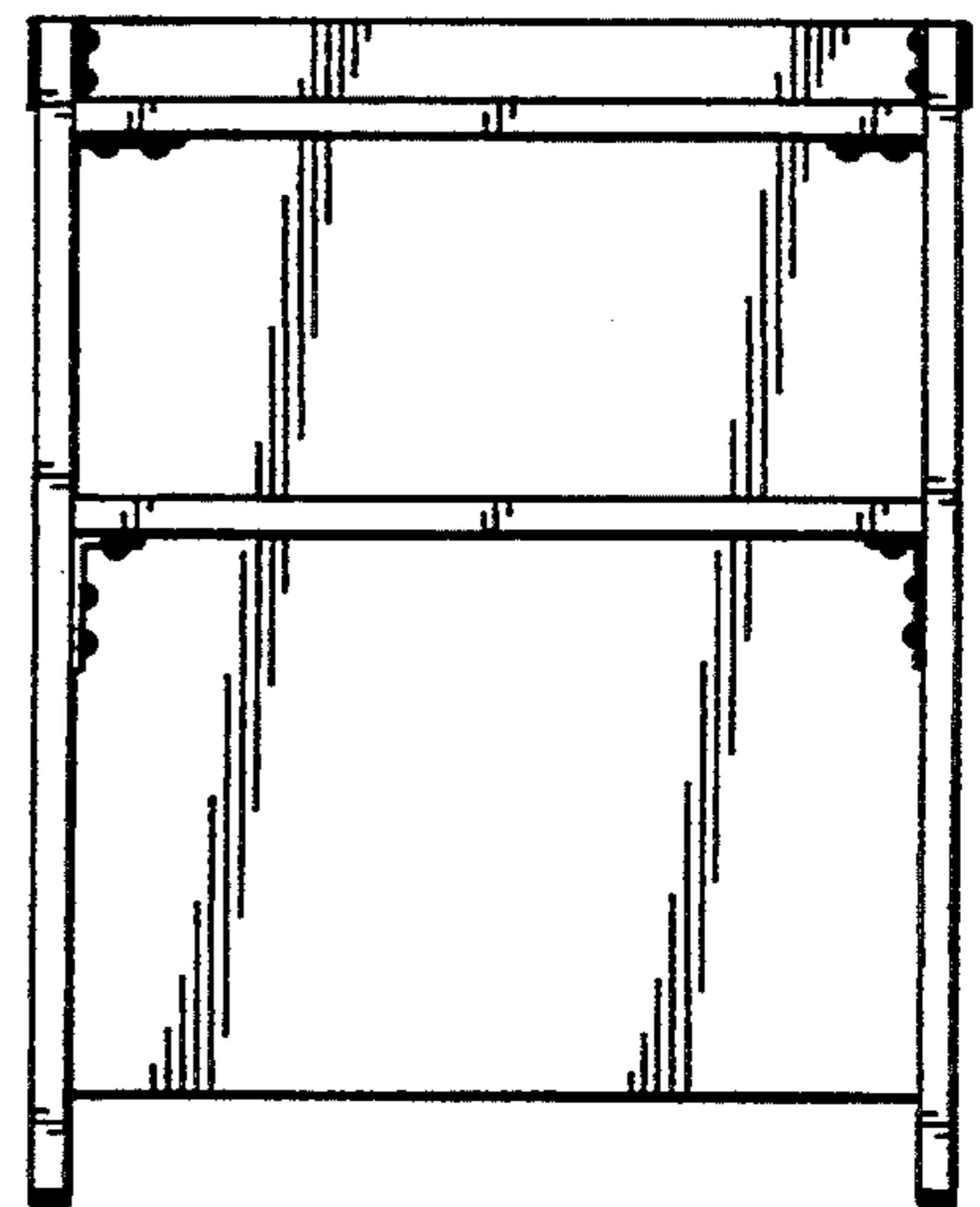


FIG. 3

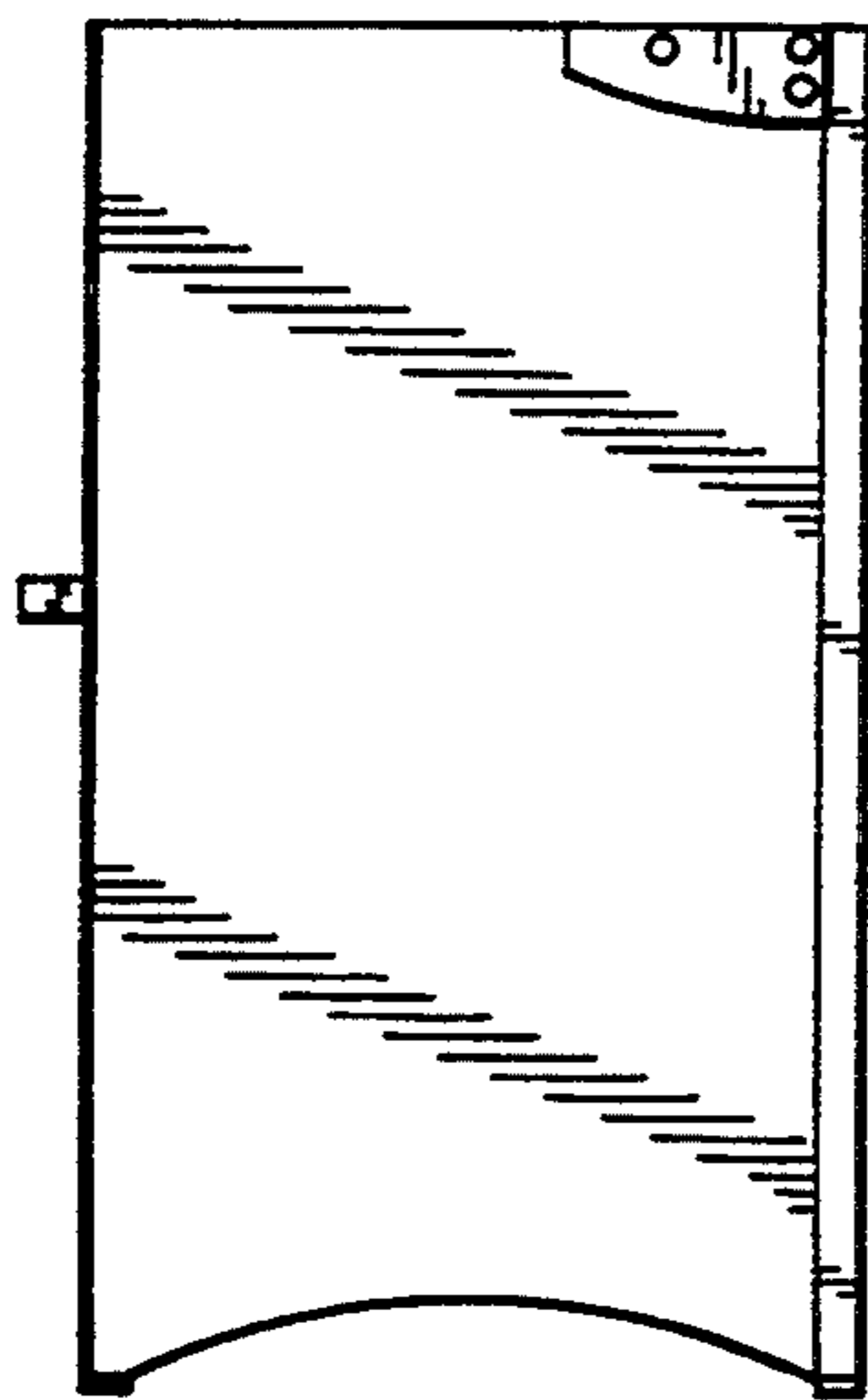


FIG. 5

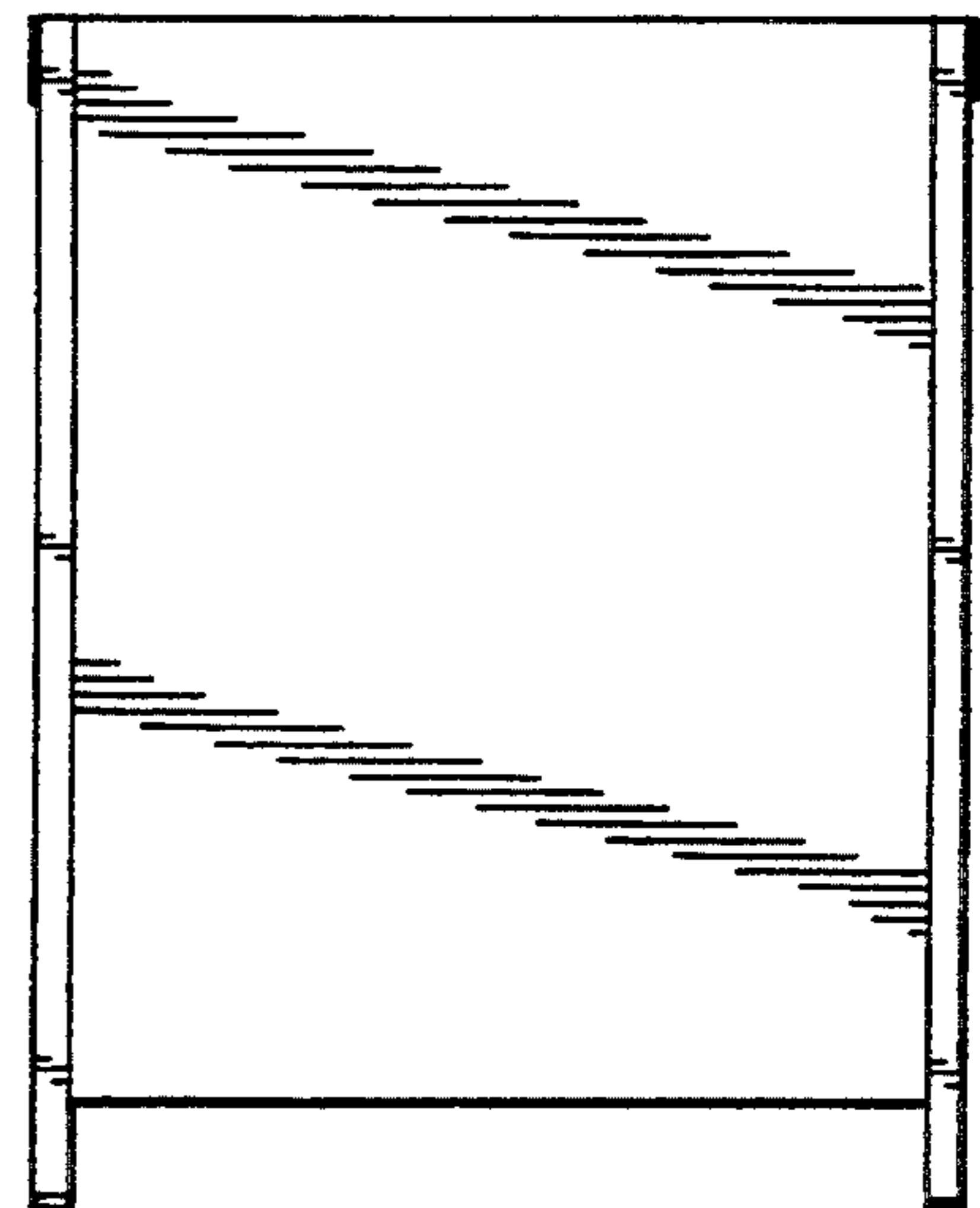


FIG. 4

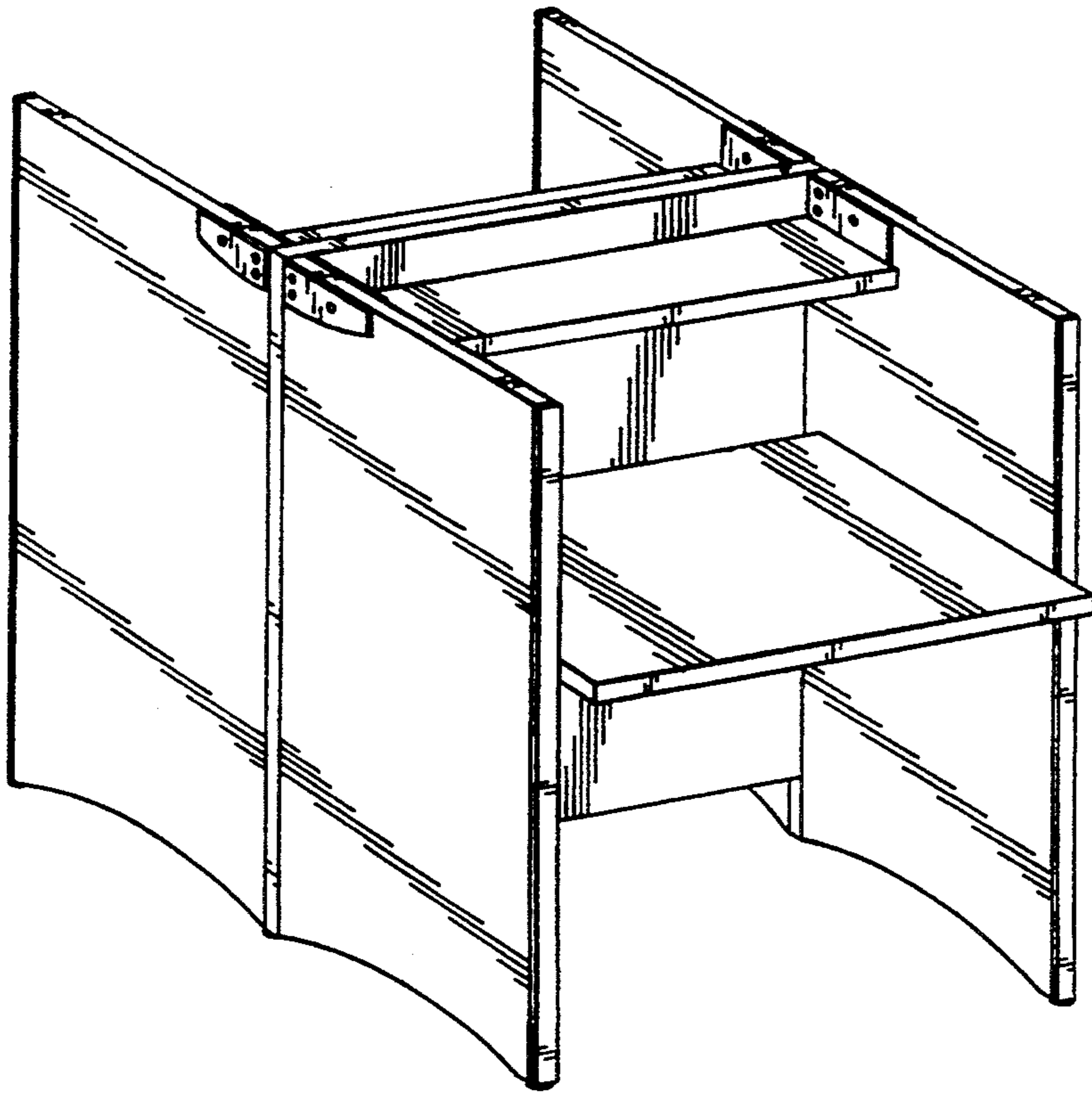


FIG. 6

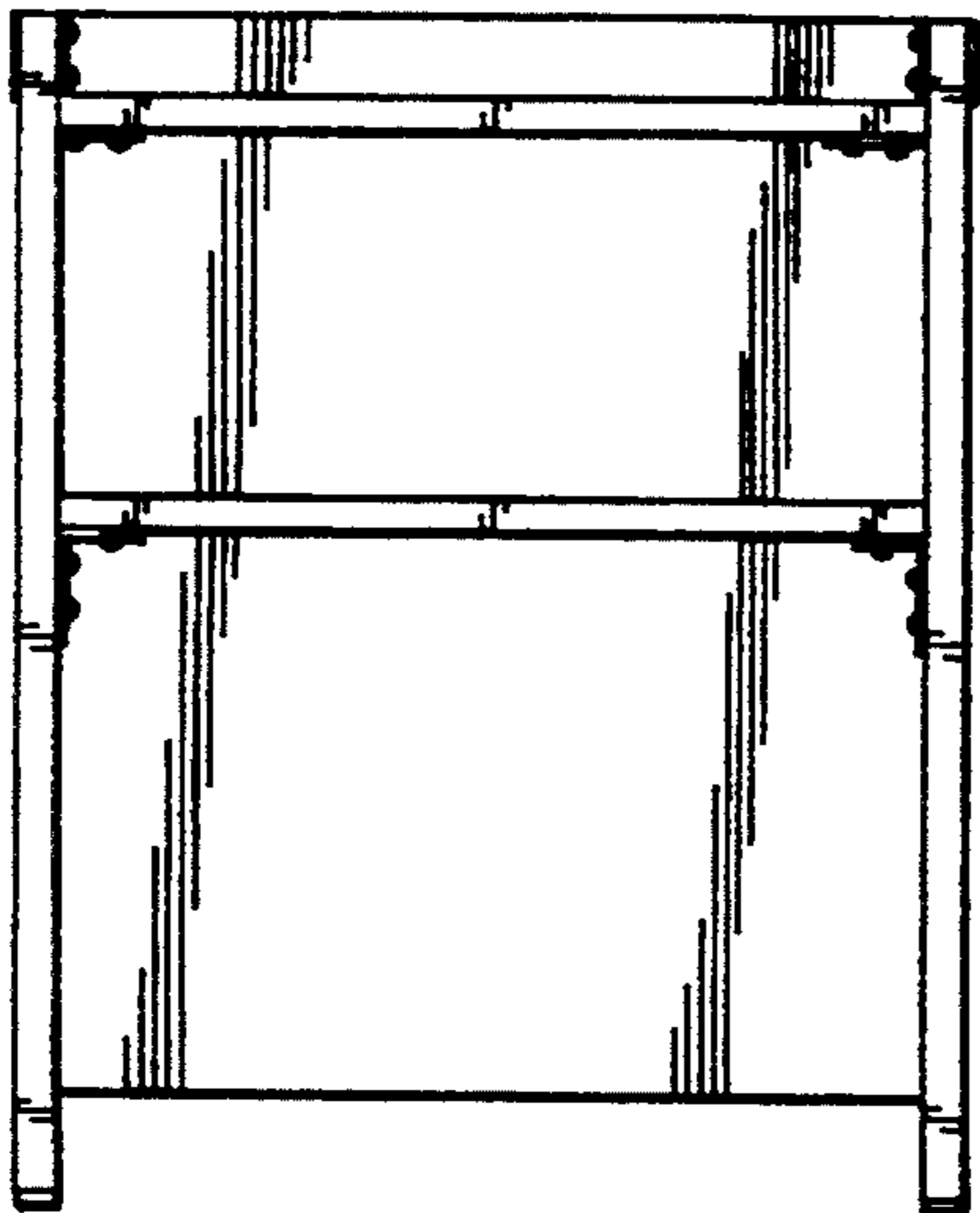


FIG. 8

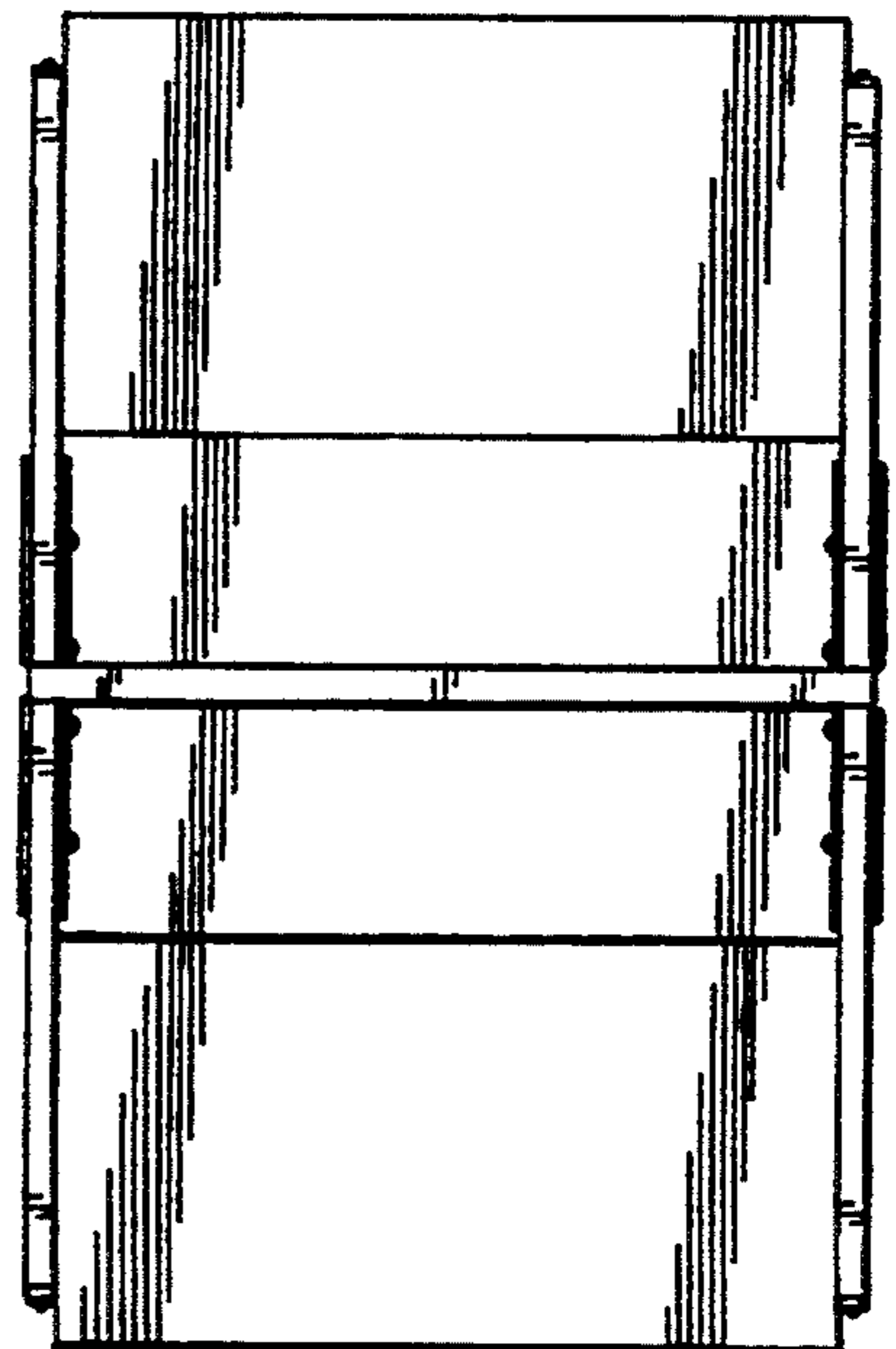


FIG. 7

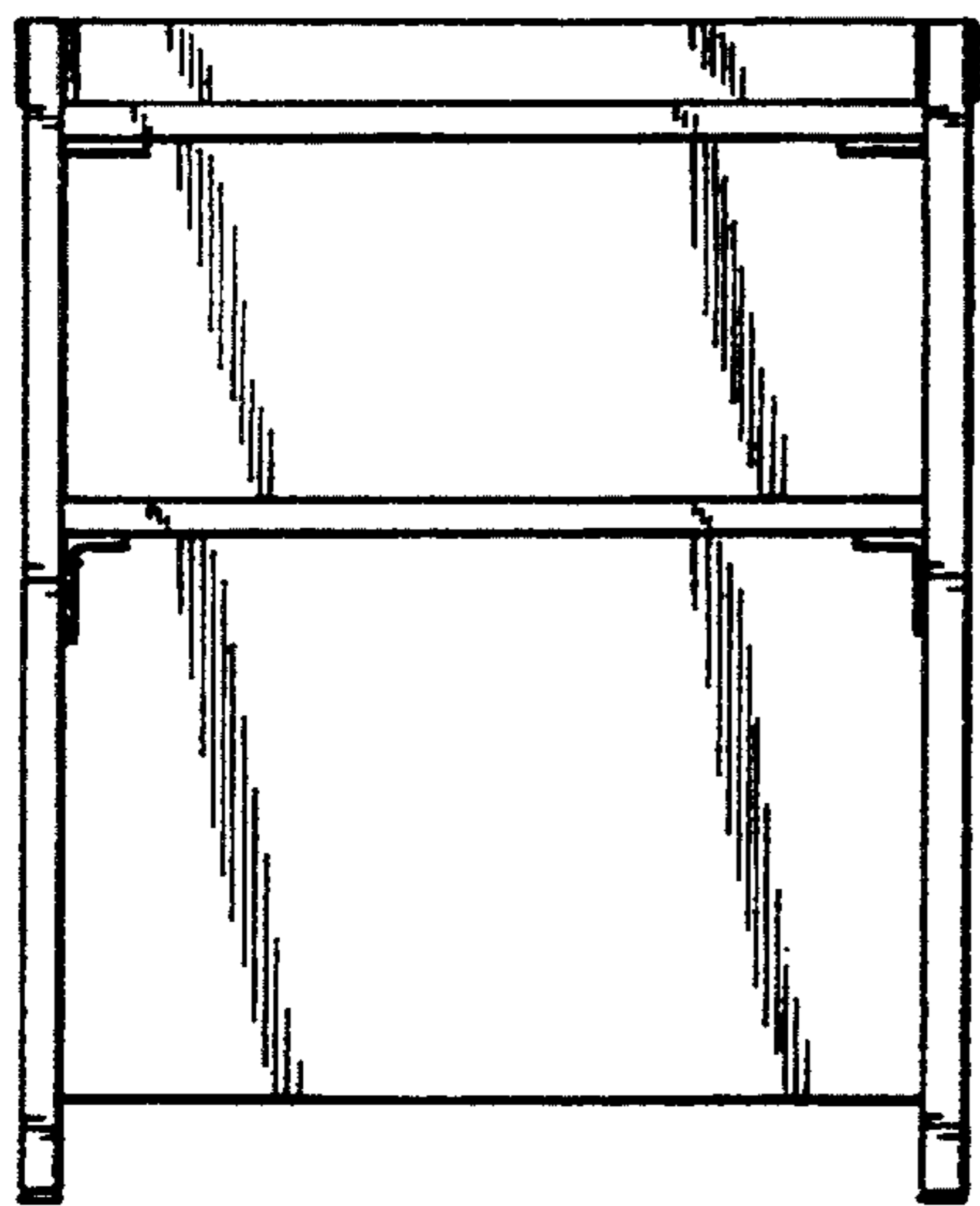


FIG. 9

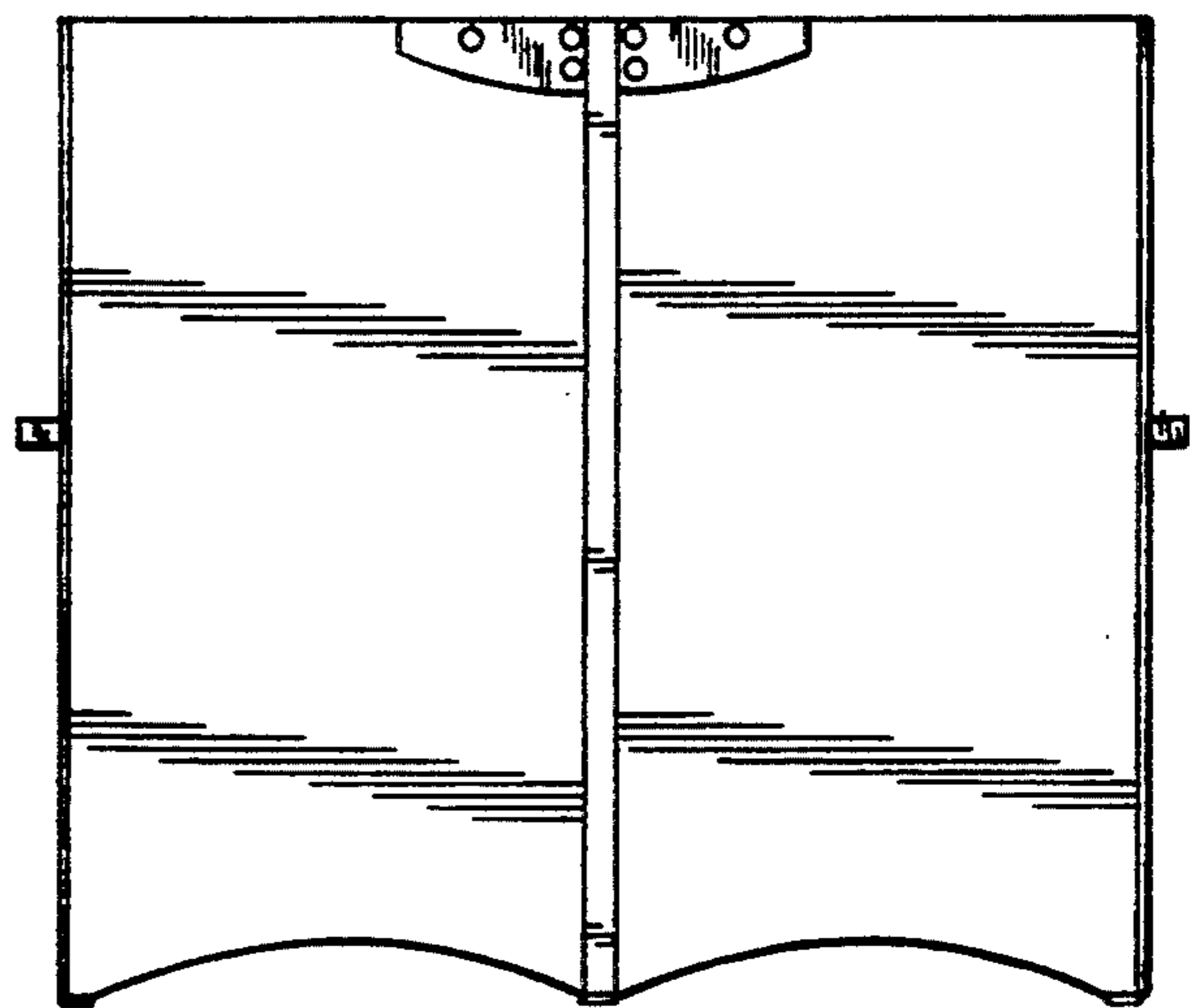


FIG. 10