



US00D359625S

**United States Patent** [19]  
**Hoagland**

[11] **Patent Number: Des. 359,625**  
[45] **Date of Patent: \*\* Jun. 27, 1995**

[54] **BRUSH HANDLE**  
[75] **Inventor: Mary M. Hoagland, Cincinnati, Ohio**  
[73] **Assignee: Vining Industries, Inc., Springfield, Ohio**  
[\*\*] **Term: 14 Years**  
[21] **Appl. No.: 10,854**  
[22] **Filed: Jul. 20, 1993**  
[52] **U.S. Cl. .... D4/138**  
[58] **Field of Search .... D4/131-133, D4/138; D8 DIG. 4, DIG. 7, DIG. 8; 15/143.1, 159.1, 160, 164, 206**

*Primary Examiner*—James M. Gandy  
*Assistant Examiner*—Lavone D. Tabor  
*Attorney, Agent, or Firm*—Panitch Schwarze Jacobs & Nadel

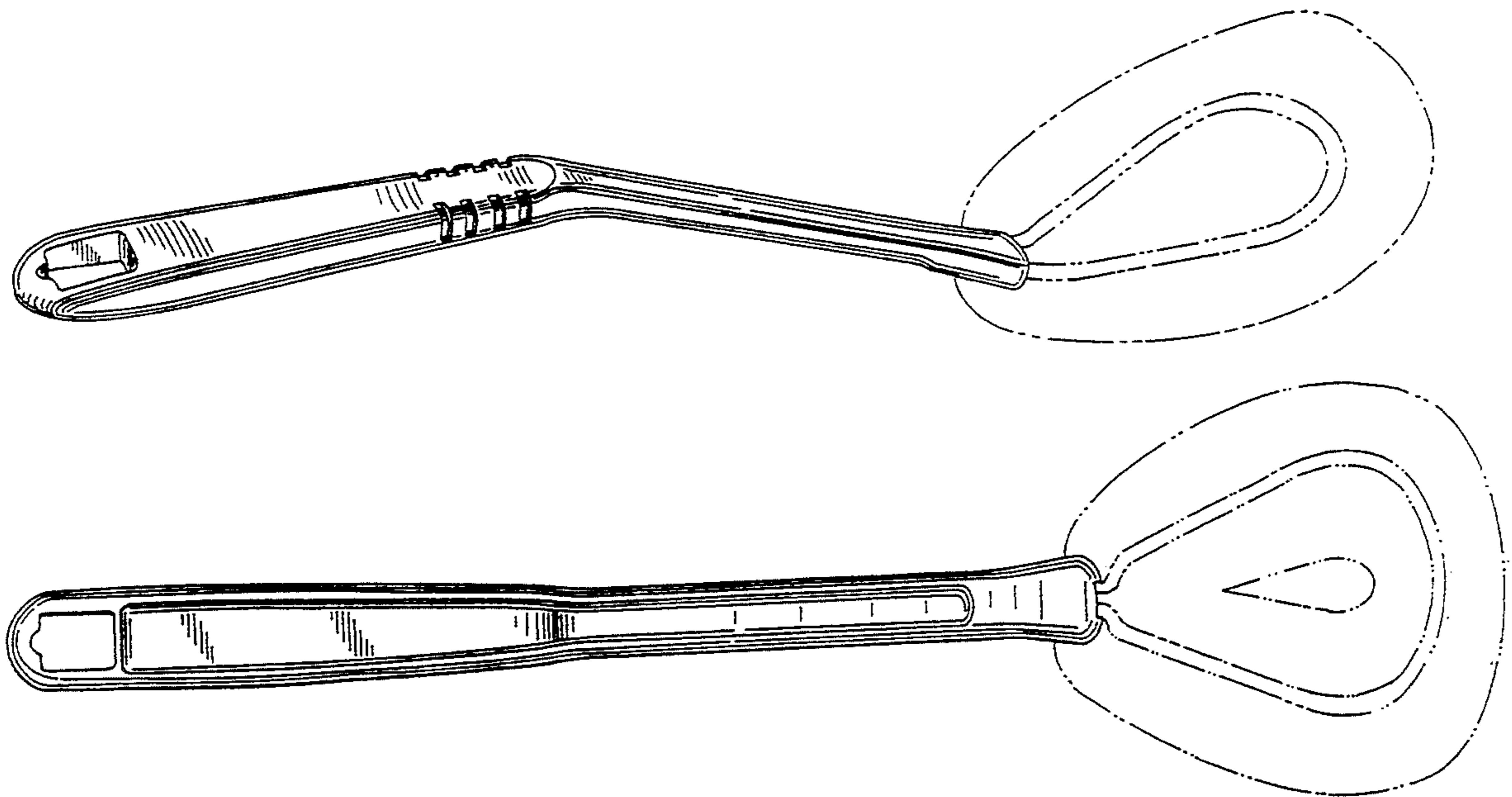
[57] **CLAIM**

The ornamental design for a brush handle, as shown and described.

**DESCRIPTION**

FIG. 1 is a three-quarter perspective of a brush handle showing my new design;  
FIG. 2 is a view thereof from the end where the brush would be attached;  
FIG. 3 is a side view thereof, the other side being identical;  
FIG. 4 is a top plan view thereof;  
FIG. 5 is an elevational view thereof from the end opposite FIG. 2, and,  
FIG. 6 is a bottom plan view thereof.  
The broken line showing of a bristled head is for illustrative purposes only and forms no part of the claimed design.

[56] **References Cited**  
**U.S. PATENT DOCUMENTS**  
D. 303,323 9/1989 Saunders ..... D4/138  
D. 315,833 4/1991 Brazis ..... D4/138  
**FOREIGN PATENT DOCUMENTS**  
2567012 1/1986 France ..... 15/143.1



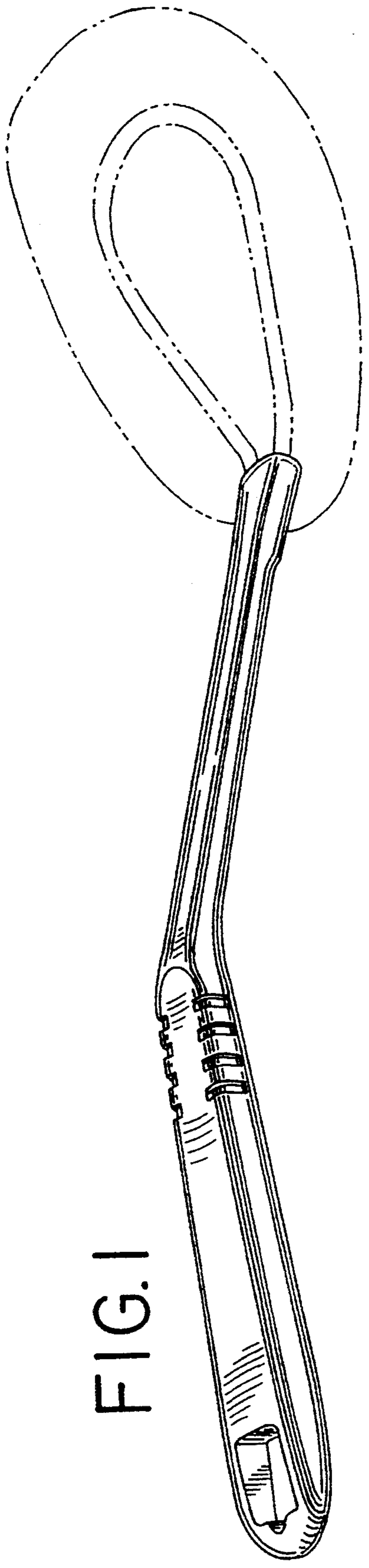


FIG. 1

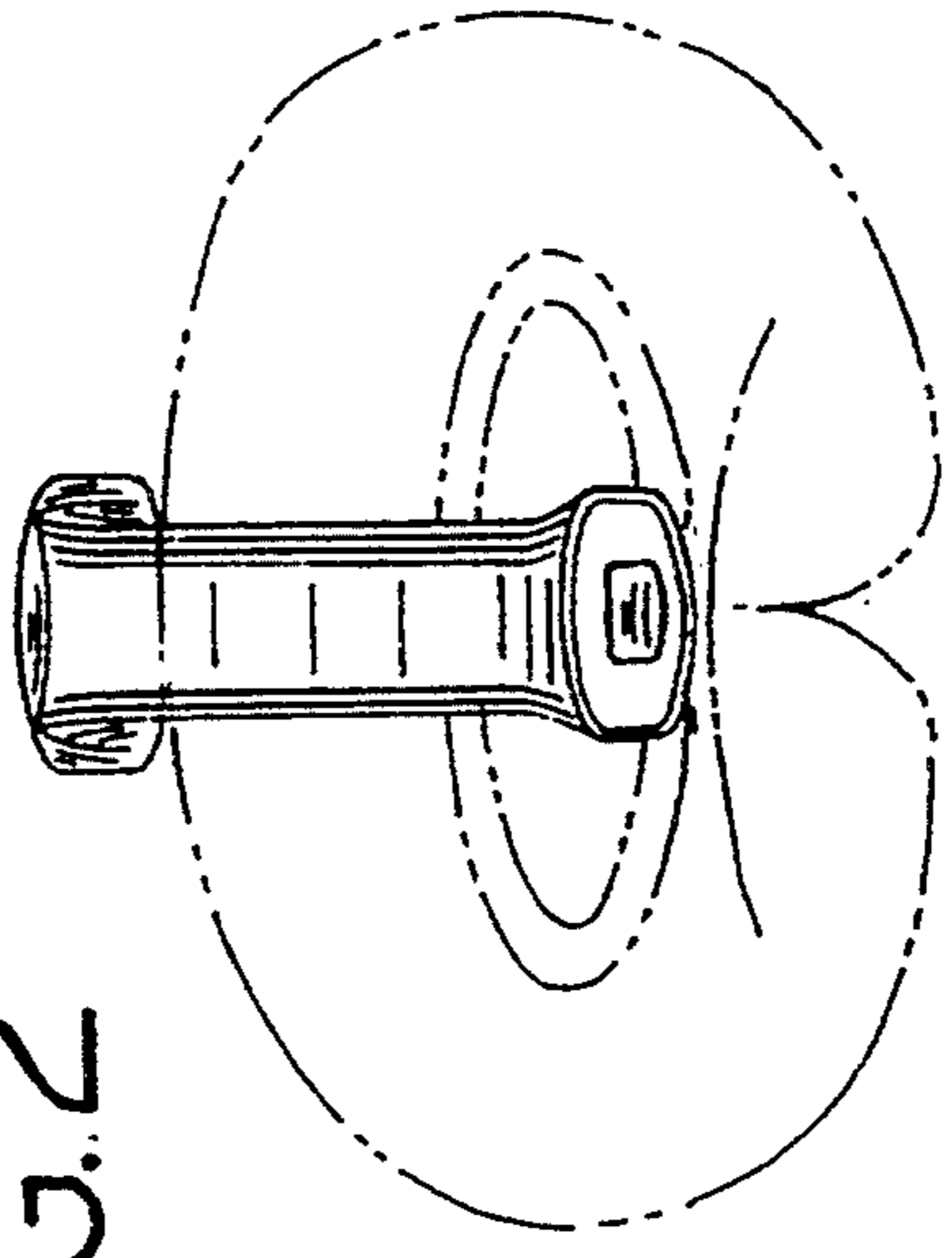


FIG. 2

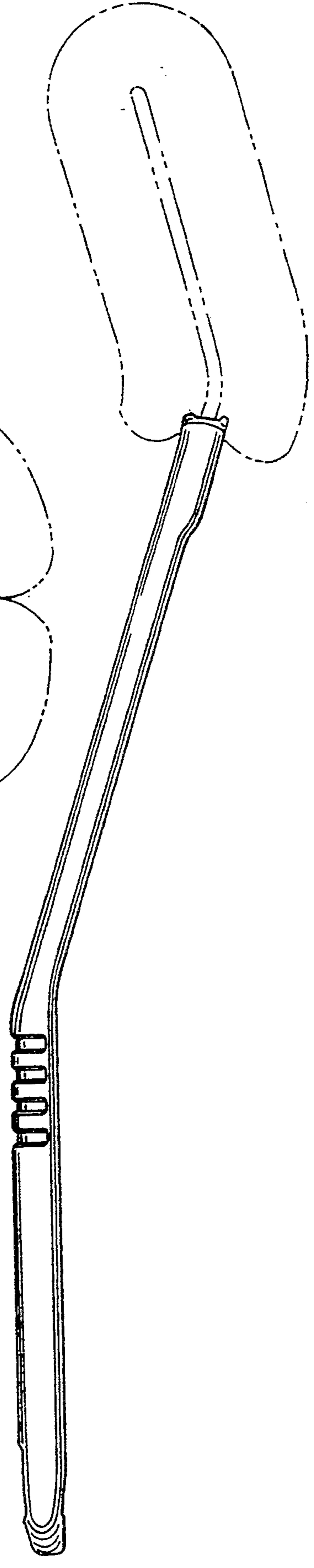


FIG. 3

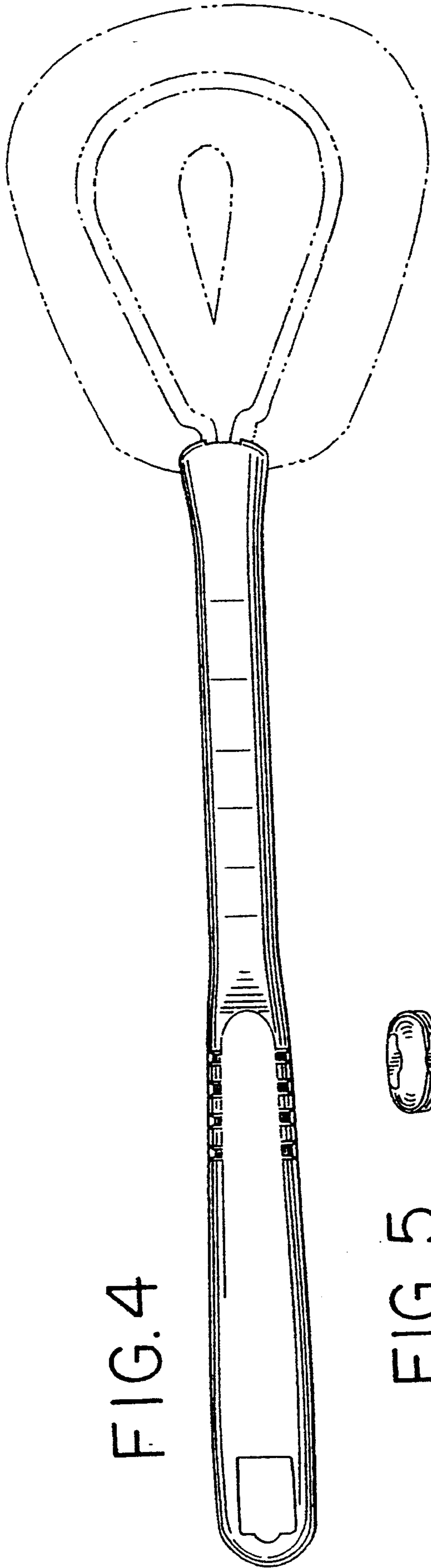


FIG. 4

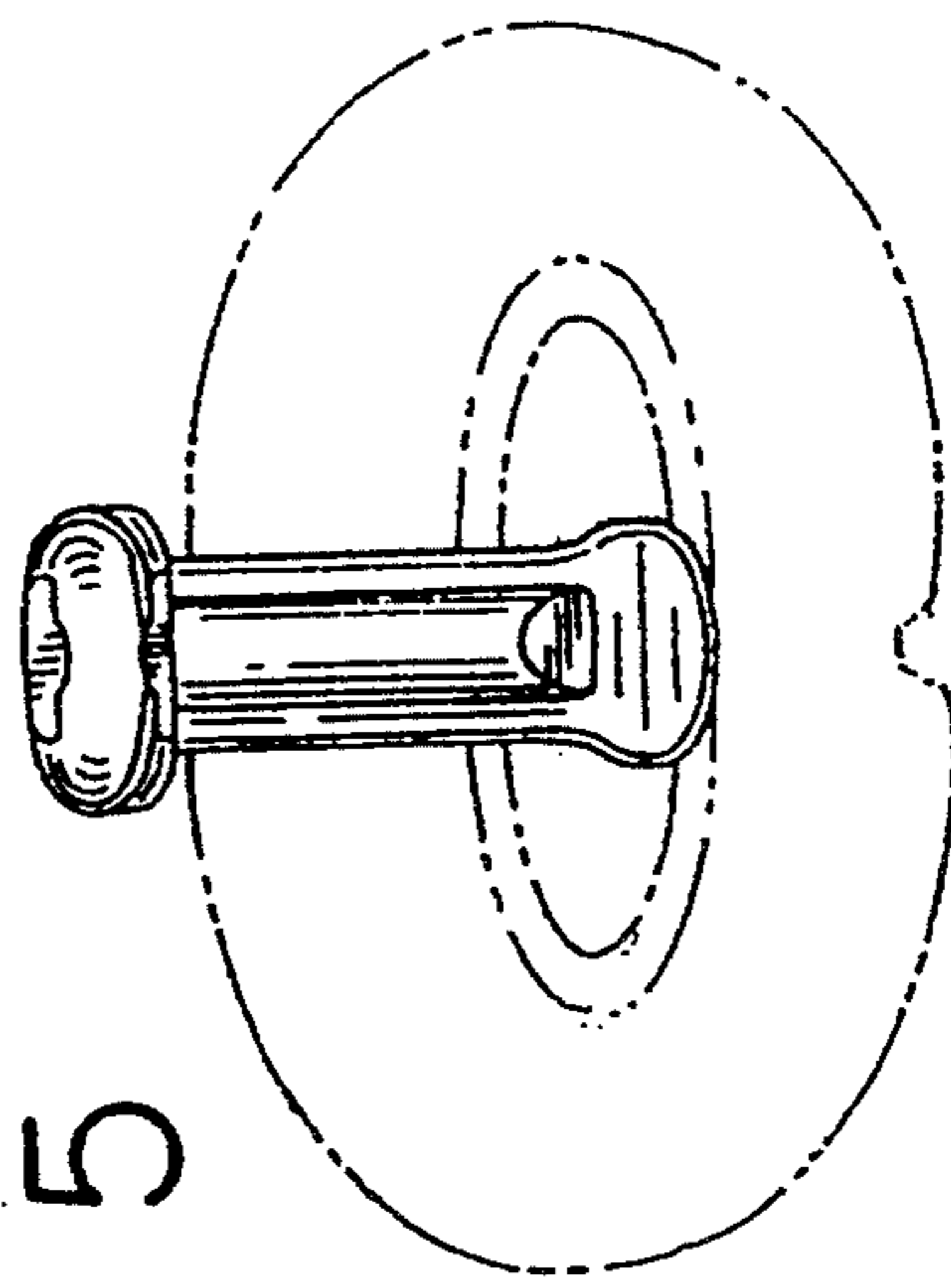


FIG. 5

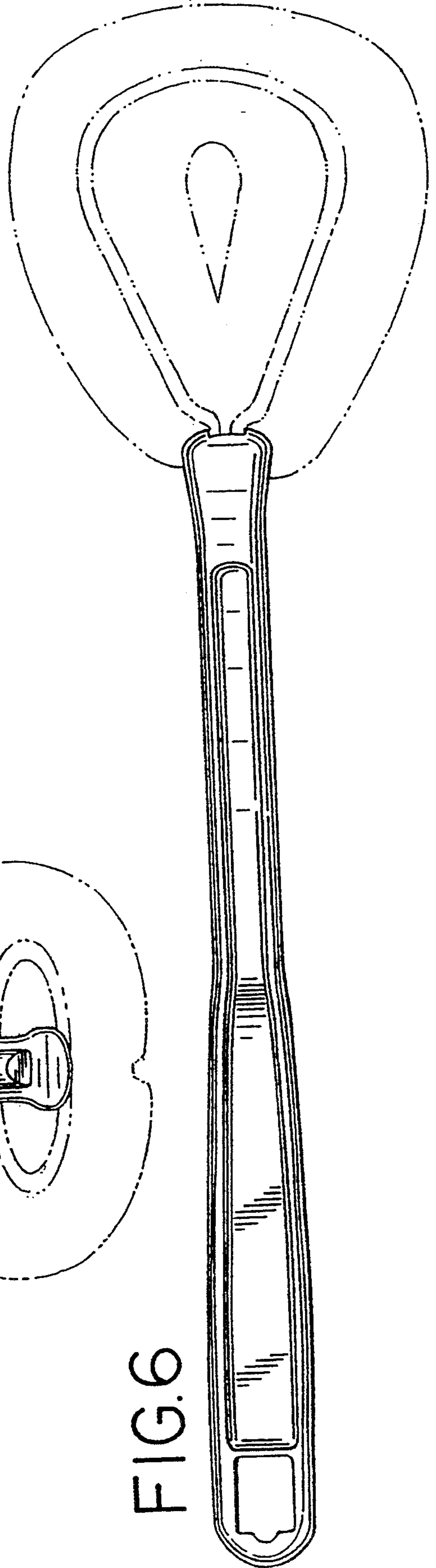


FIG. 6