



US00D359618S

United States Patent [19]

[11] Patent Number: **Des. 359,618**

Chen

[45] Date of Patent: **** Jun. 27, 1995**

[54] **TOY CONTAINER**

[76] Inventor: **Chien T. Chen**, No. 15 Lane 63 Sec. 7,
Yen Ping N. Rd, Taipei, Taiwan

[**] Term: **14 Years**

[21] Appl. No.: **17,153**

[22] Filed: **Jan. 4, 1994**

[52] U.S. Cl. **D3/271; D3/270;**
D21/130; D9/309

[58] Field of Search **D3/270, 271, 273, 291;**
D21/124, 128, 130; 446/71, 72, 75, 76; D9/307,
308, 309

[56] **References Cited**

U.S. PATENT DOCUMENTS

D. 279,625 7/1985 Winslow et al. D3/271

D. 315,444 3/1991 Maddocks D3/271
4,527,688 7/1985 Jones et al. 446/76 X
5,007,569 4/1991 Zarb 446/75 X

Primary Examiner—Theodore M. Shooman

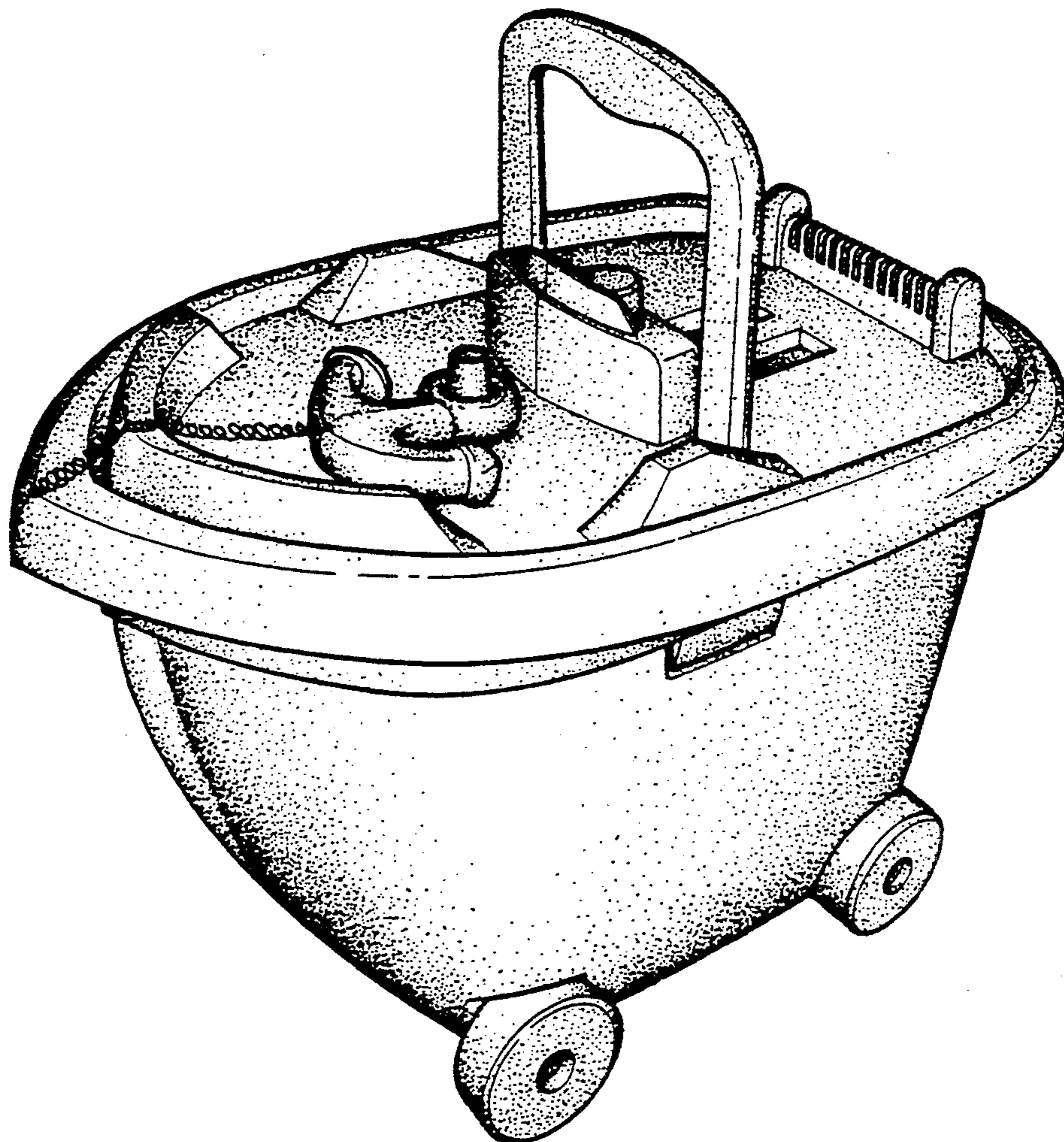
Assistant Examiner—Dominic Simone

[57] **CLAIM**

The ornamental design for a toy container, as shown and described.

DESCRIPTION

FIG. 1 is a front, right side and top prespective view of a toy container showing my new design; FIG. 2 is as front elevational view thereof; FIG. 3 is a rear elevational view thereof; FIG. 4 is a side elevational view thereof, the left side being a mirror image; FIG. 5 is a top plan view thereof; and, FIG. 6 is a bottom plan view thereof.



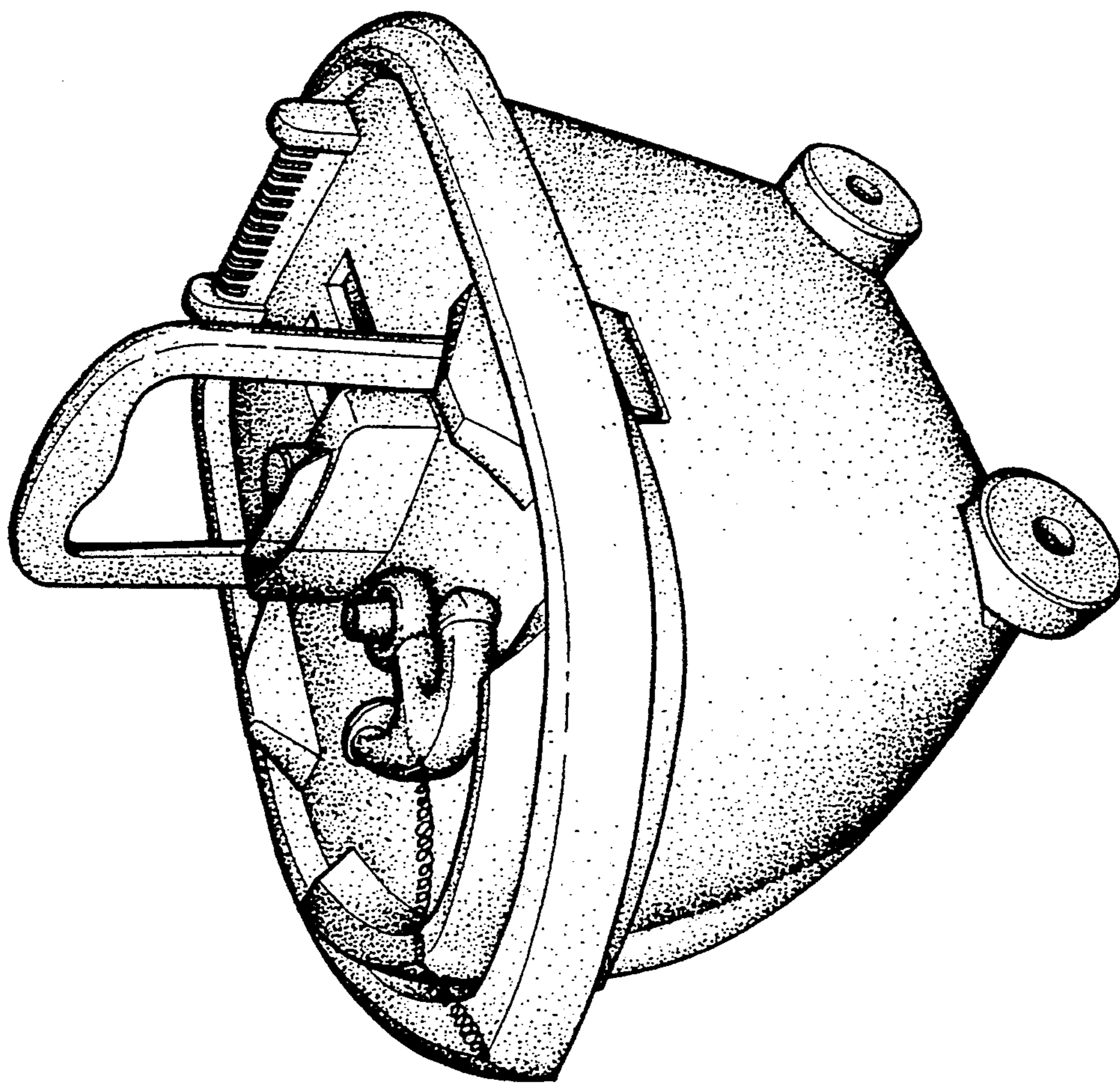


FIG. 1

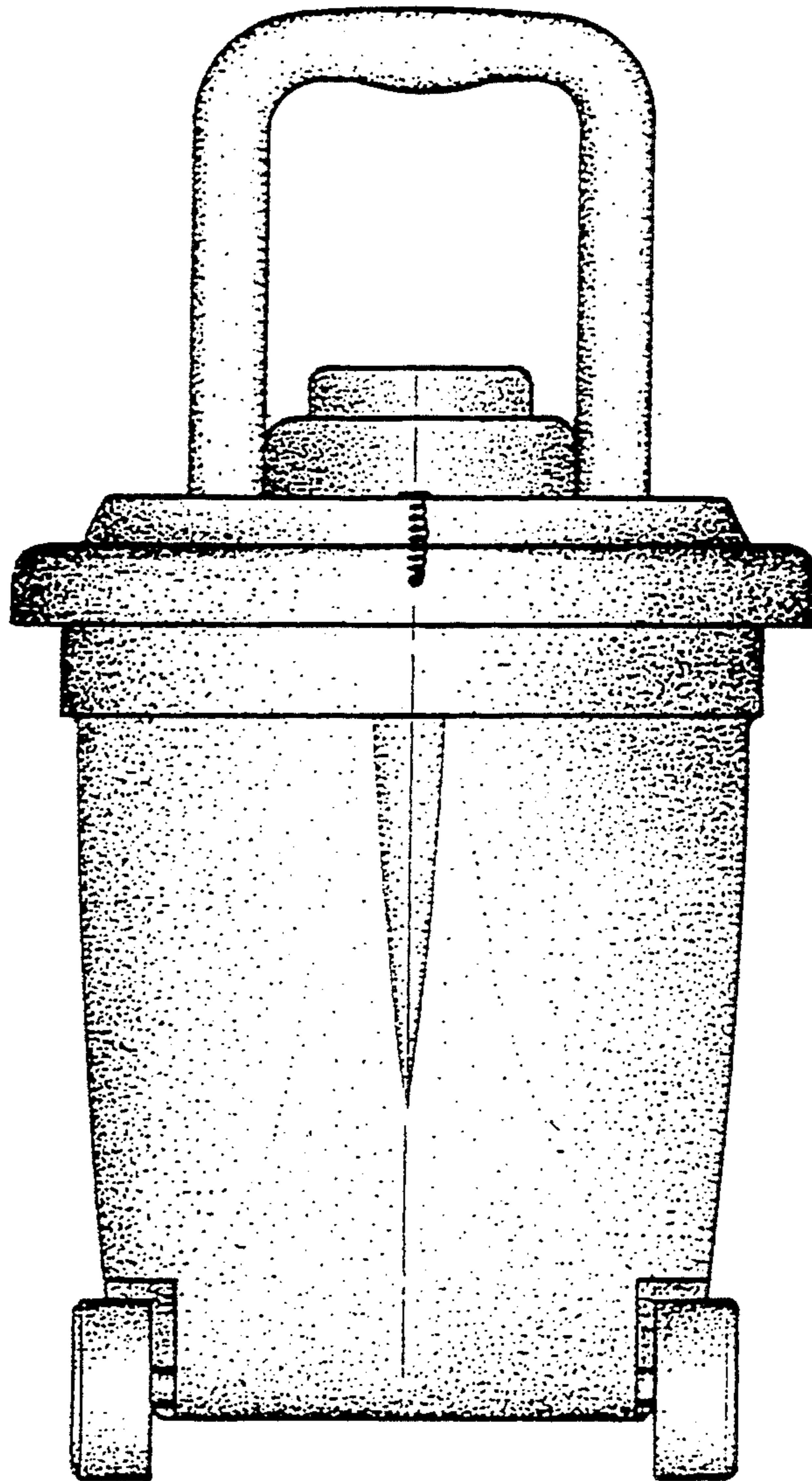


FIG. 2

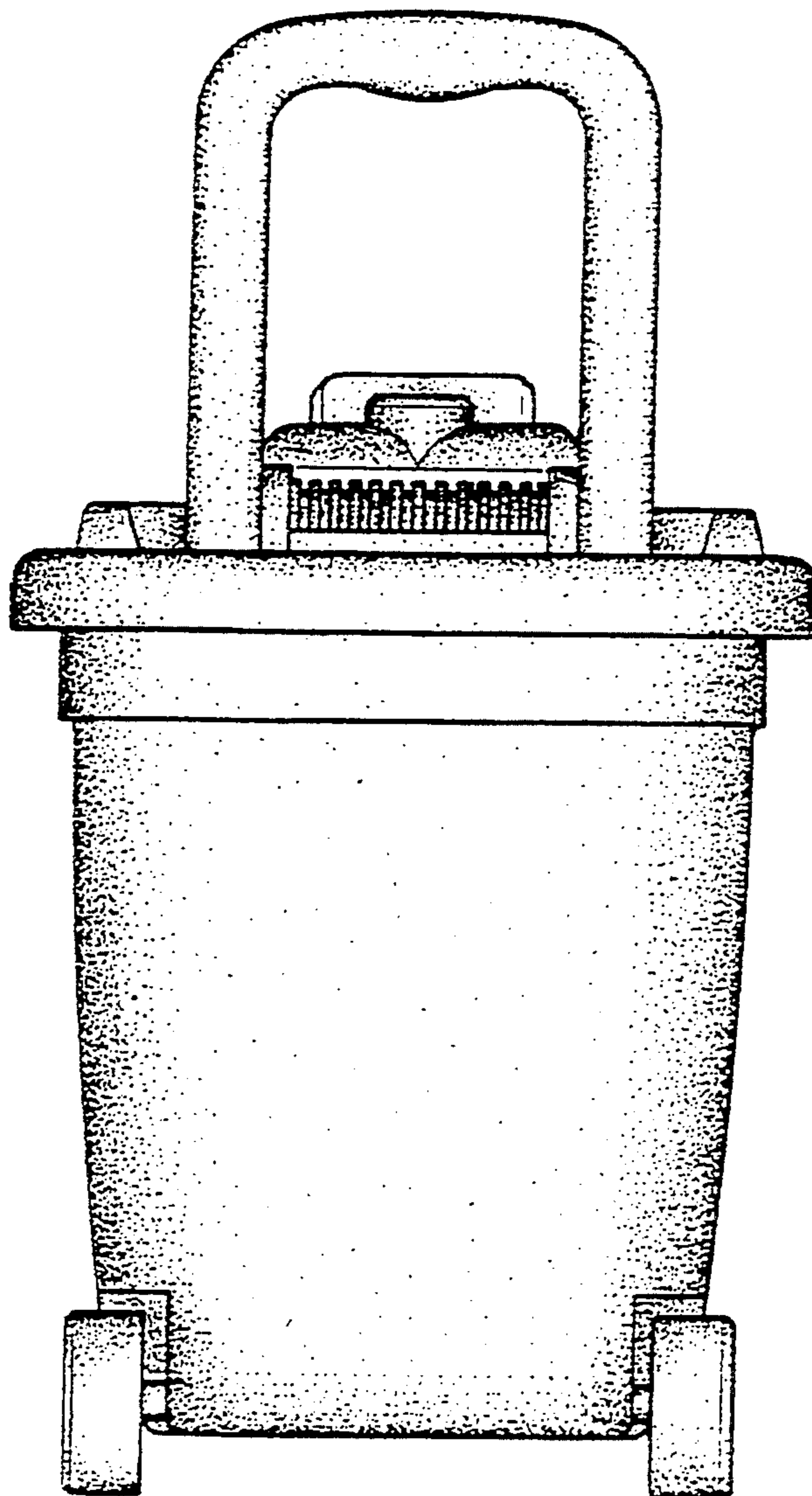


FIG. 3

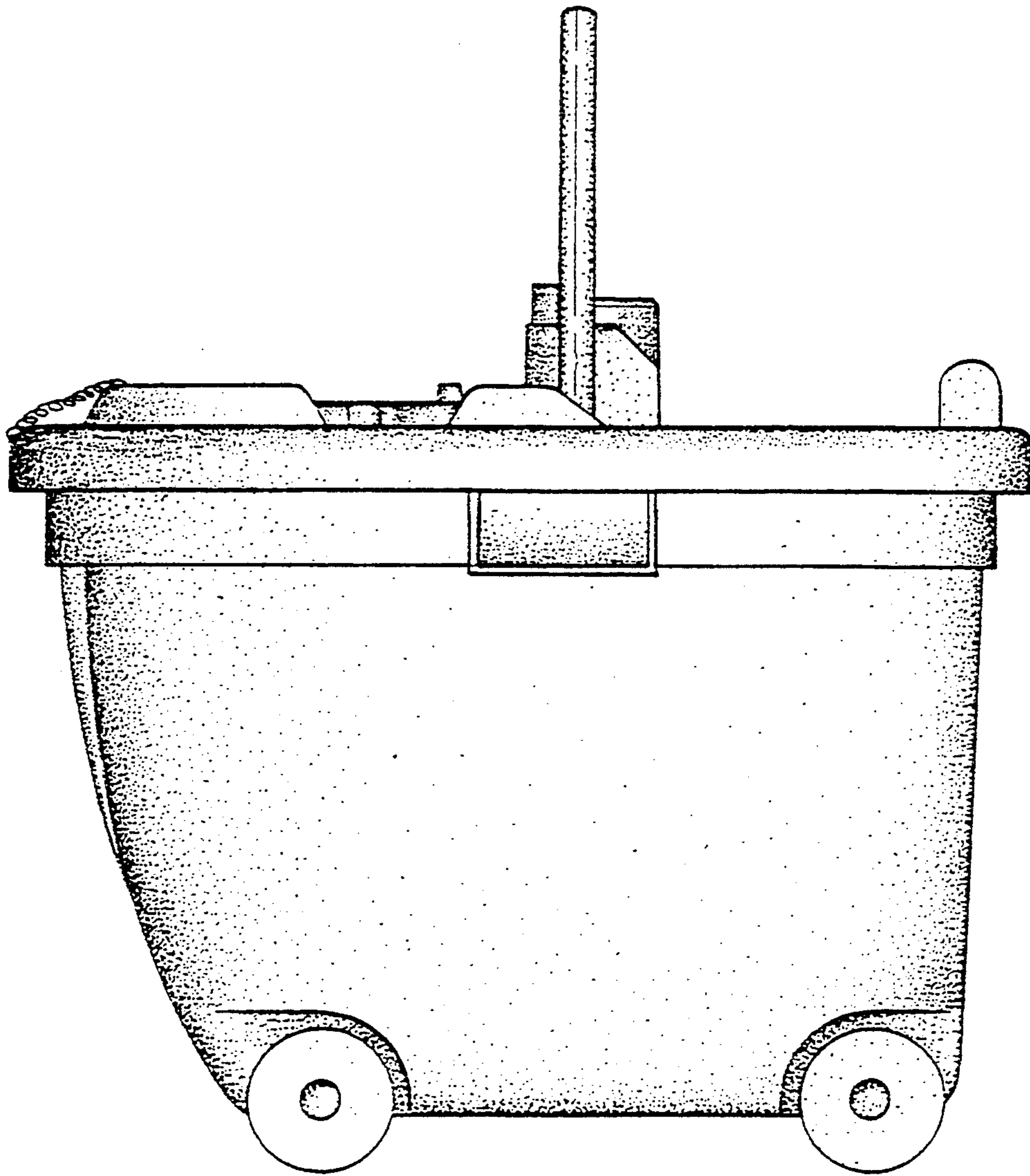


FIG. 4

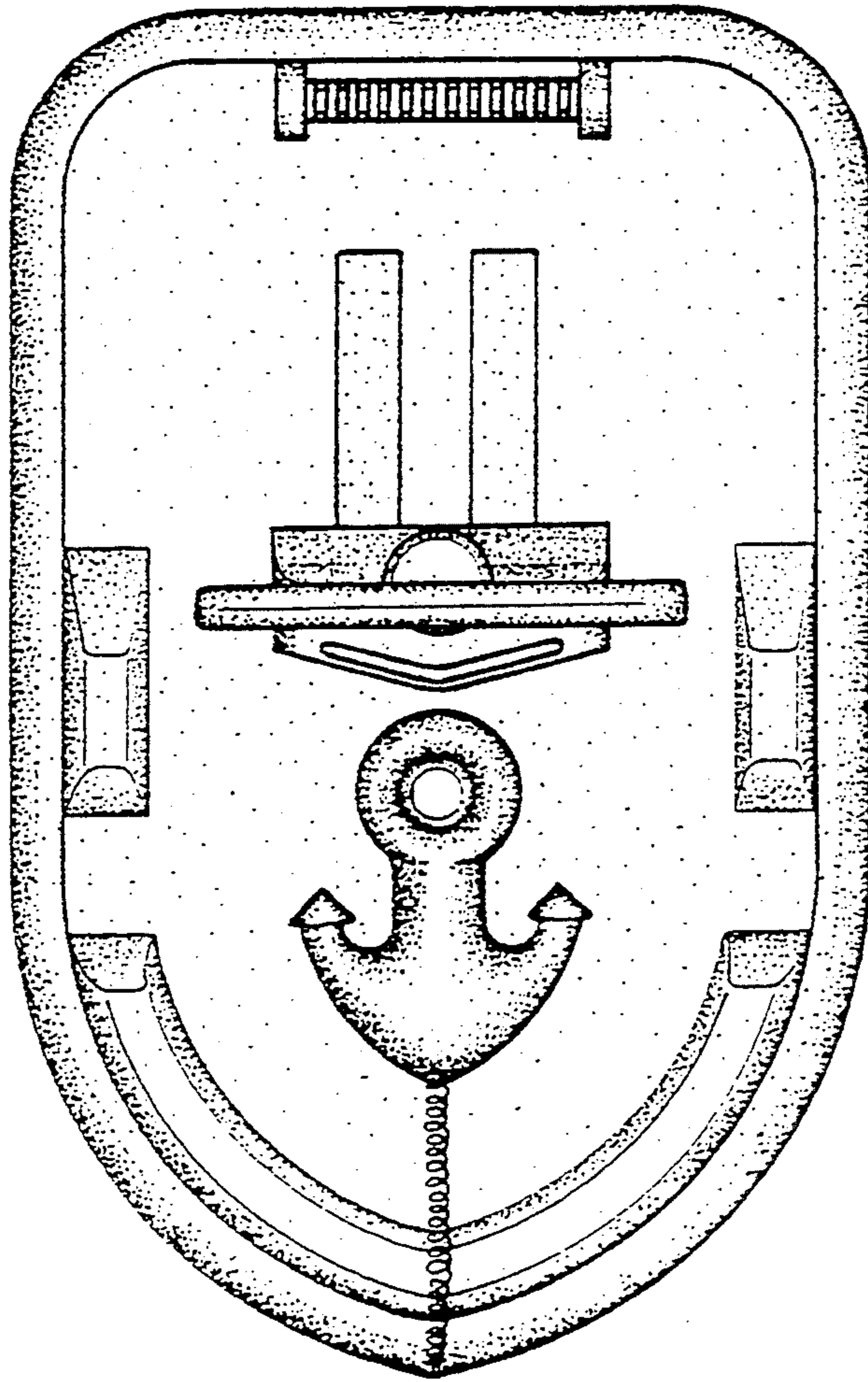


FIG. 5

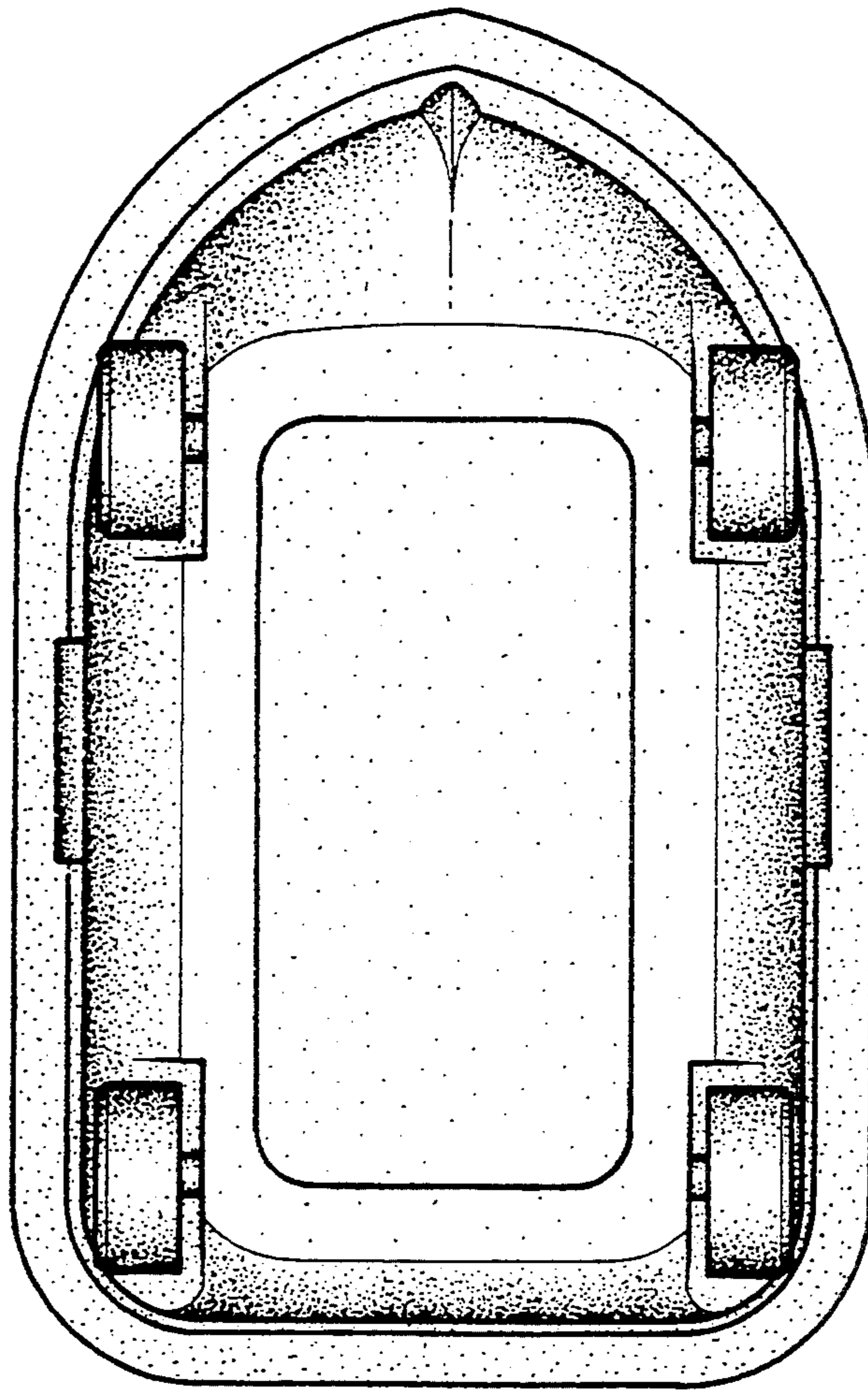


FIG. 6