



US00D359608S

United States Patent [19]

[11] Patent Number: Des. 359,608

Allen

[45] Date of Patent: ** Jun. 27, 1995

[54] CANDY SIMULATED MICROPHONE

[76] Inventor: Aaron A. Allen, 565 Fulton Ave.,
Suite B17, Hempstead, N.Y. 11550

[**] Term: 14 Years

[21] Appl. No.: 28,221

[22] Filed: Sep. 9, 1994

[52] U.S. Cl. D1/106

[58] Field of Search D1/106, 118, 126, 127,
D1/199; D14/225, 227, 228; 426/104

3,165,252 1/1965 Carter et al. .
3,290,157 12/1966 Schwartz et al. .
3,615,596 10/1971 Petti et al. .
3,663,717 5/1972 Coster .
4,902,519 2/1990 Ream et al. .
4,992,283 2/1991 Shorey .
5,209,692 5/1993 Coleman et al. .

Primary Examiner—James M. Gandy
Assistant Examiner—Pamela Burgess
Attorney, Agent, or Firm—Richard C. Litman

[56] References Cited
U.S. PATENT DOCUMENTS

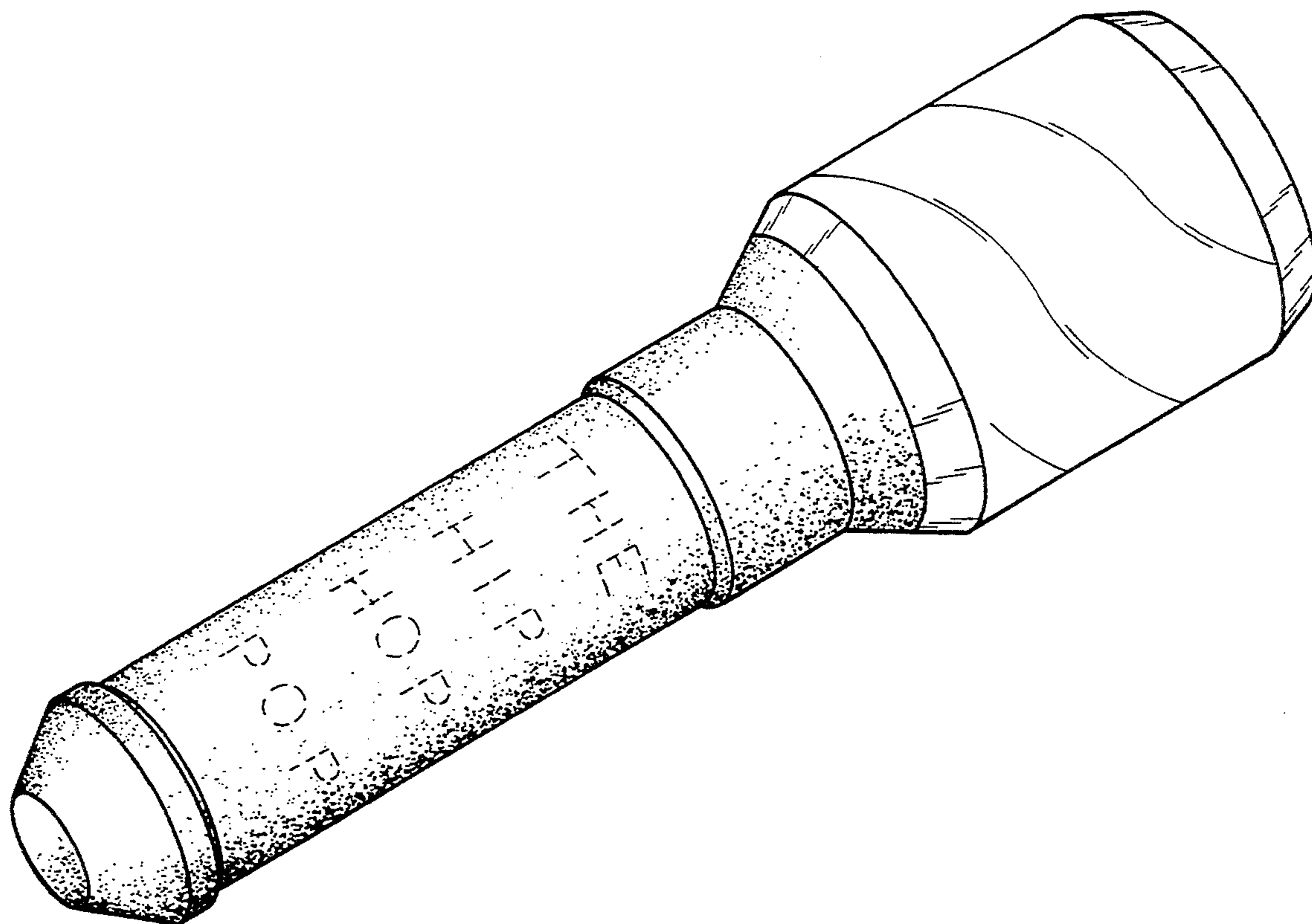
D. 218,315 8/1970 Rusch et al. D14/228
D. 288,140 2/1987 Fontlladosa .
D. 290,838 7/1987 Stames D14/228
D. 324,753 3/1992 Meyers et al. .
D. 329,320 9/1992 Kesdekoglu .
1,502,006 7/1924 Alvord .
2,027,791 1/1936 Schragar .
2,031,208 2/1936 Burgard .
2,121,185 6/1938 Claff .
2,272,141 10/1955 Leinhauser .
2,799,587 7/1957 Schwartz .
3,085,883 4/1963 Collier .
3,140,954 7/1964 Schroeder .

[57] CLAIM

The ornamental design for a candy simulated microphone, as shown and described.

DESCRIPTION

FIG. 1 is a perspective view of a candy simulated microphone showing my new design;
FIG. 2 is a front elevational view thereof;
FIG. 3 is a rear elevational view thereof;
FIG. 4 is a right side elevational view with the left side being a mirror image thereof;
FIG. 5 is a bottom view thereof; and,
FIG. 6 is a top view thereof.
The broken line showing of indicia on the handle in FIGS. 1, 2, and 4 is for illustrative purposes only and forms no part of the claimed design.



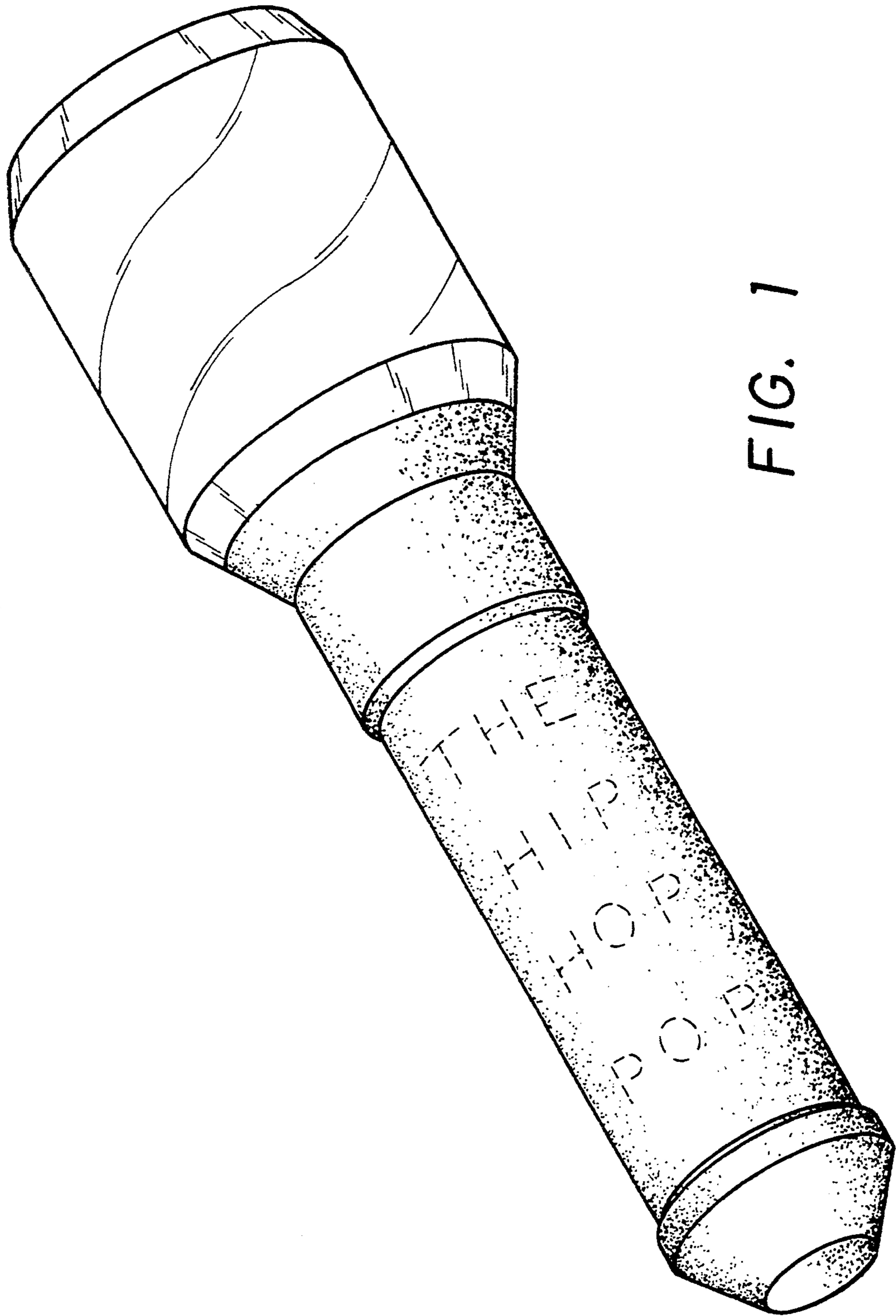


FIG. 1

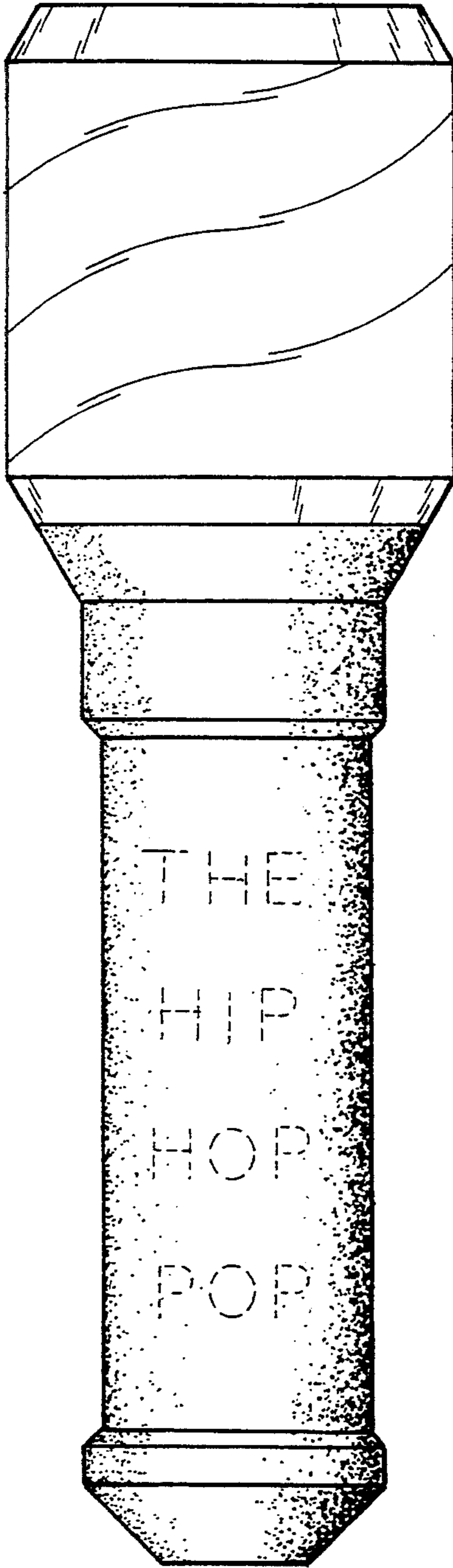


FIG. 2

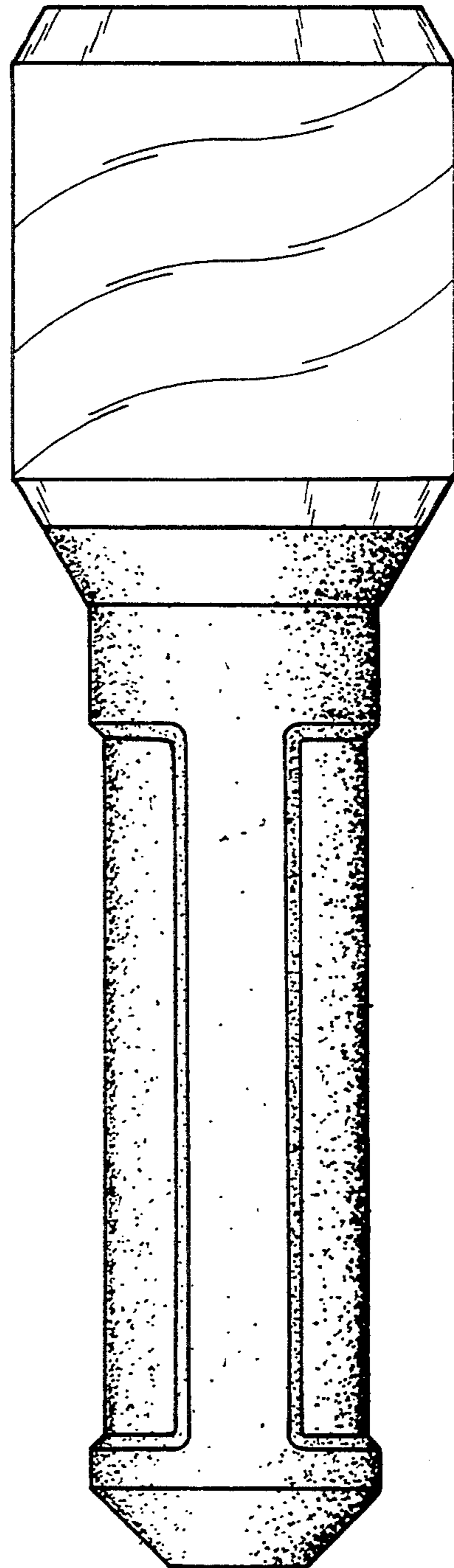


FIG. 3

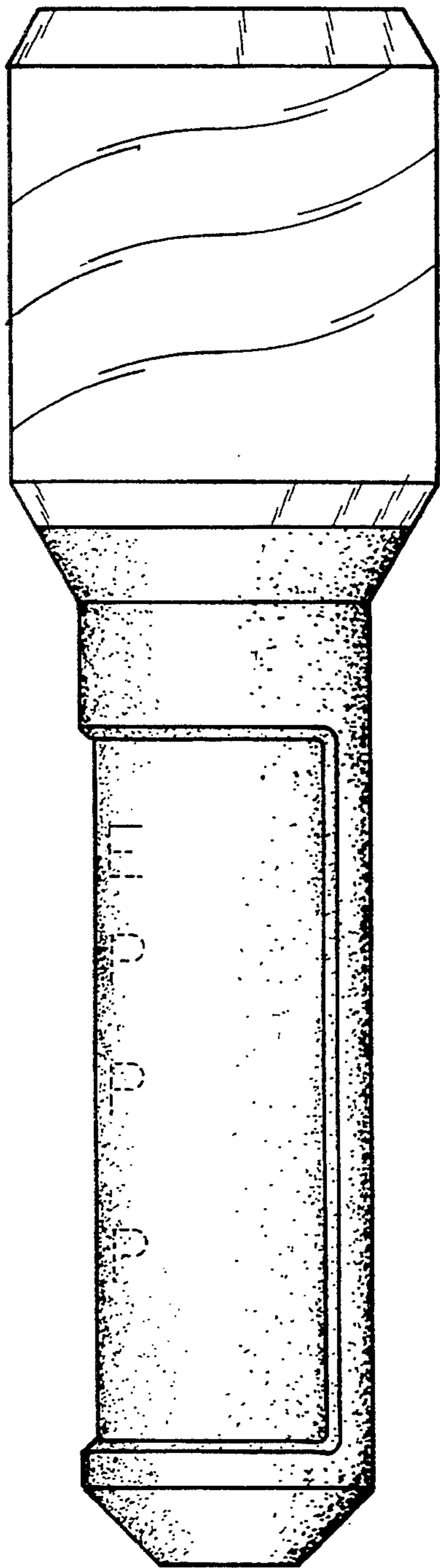


FIG. 4

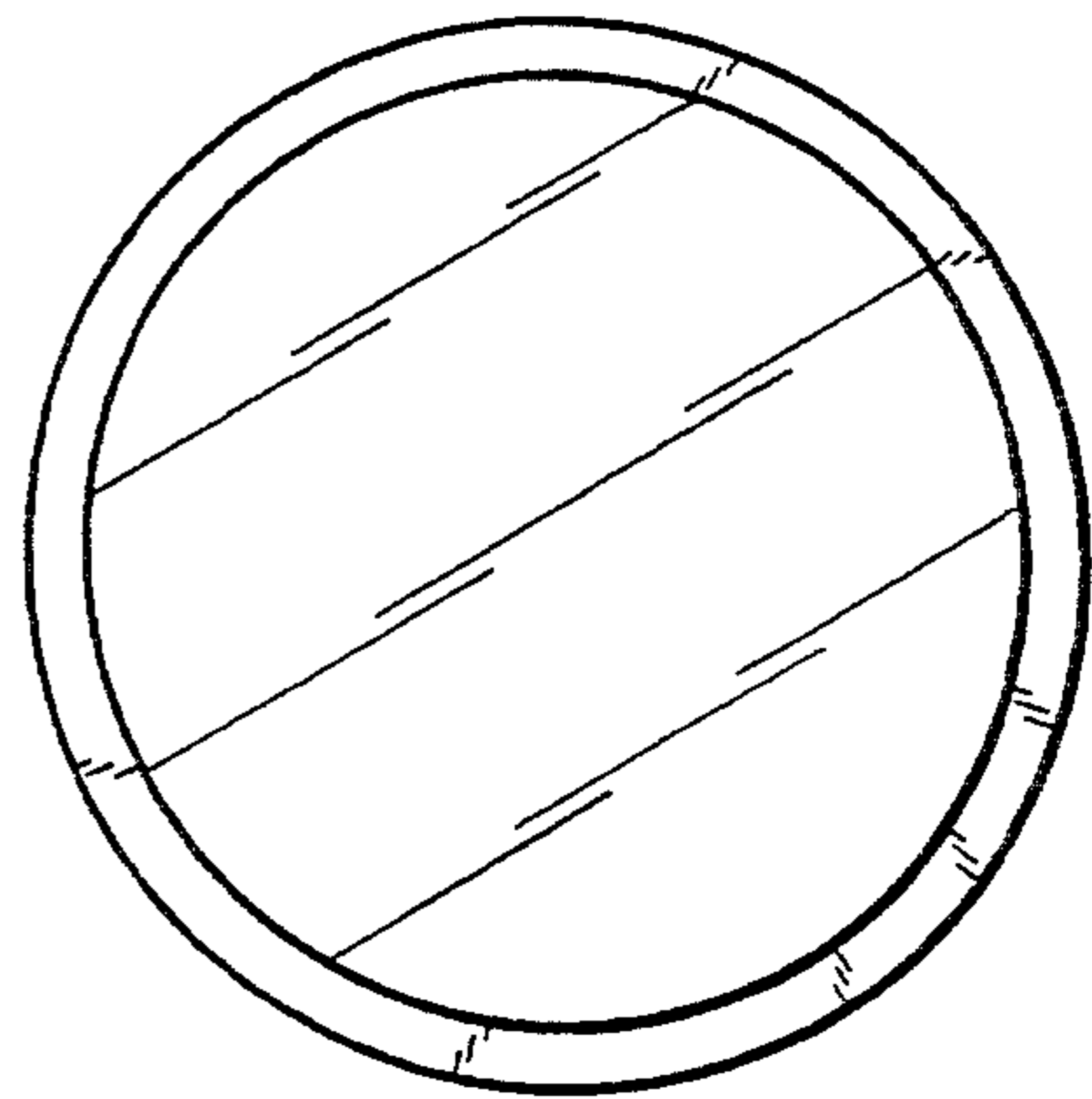


FIG. 6

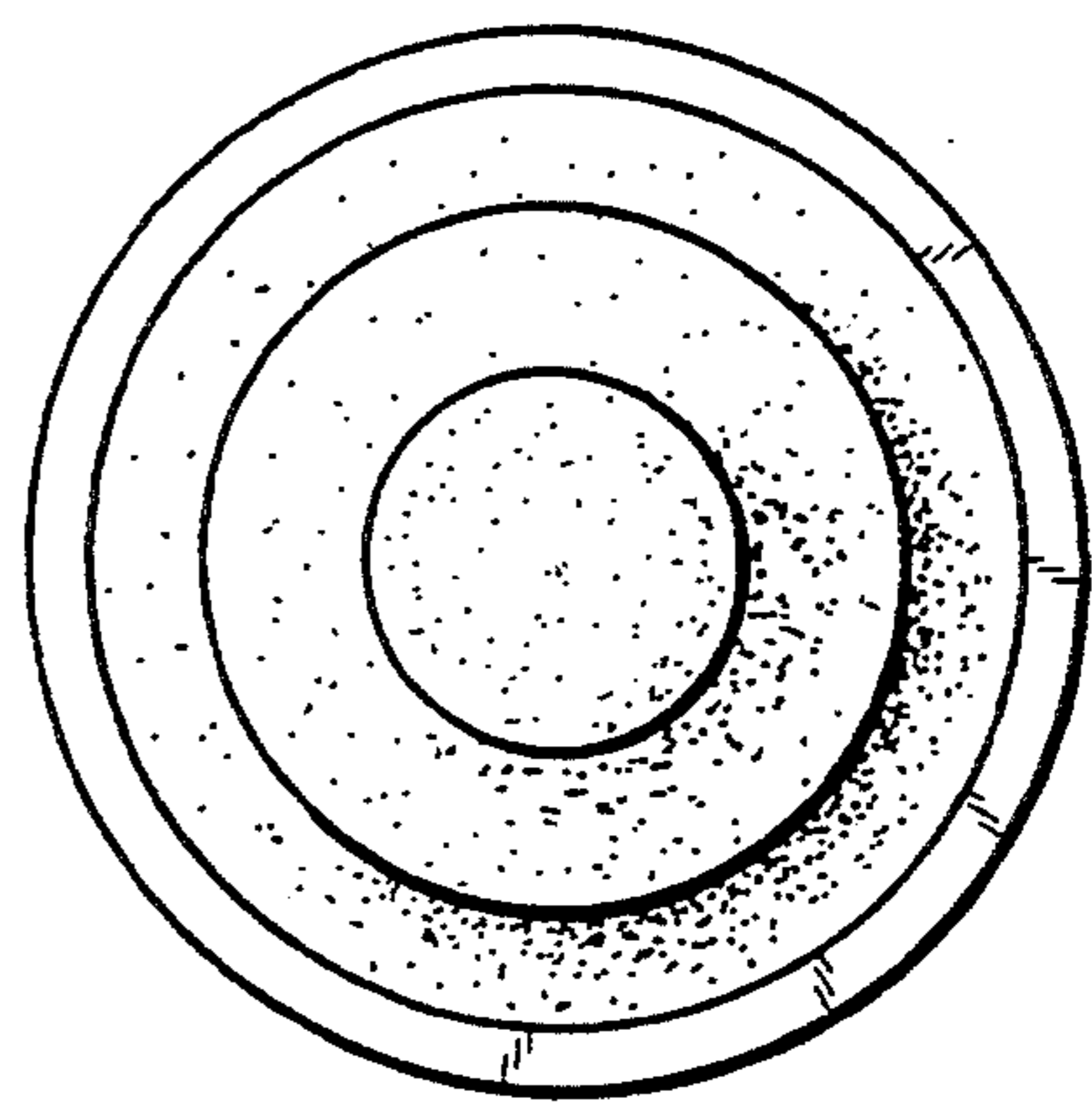


FIG. 5