



US00D359606S

United States Patent [19]

[11] Patent Number: Des. 359,606

Holland

[45] Date of Patent: ** Jun. 20, 1995

[54] RECYCLING CONTAINER FOR ALUMINUM CANS

[75] Inventor: William S. Holland, Tucson, Ariz.

[73] Assignee: Edgar C Sanders, II, Garden Grove, Calif. ; a part interest

[**] Term: 14 Years

[21] Appl. No.: 20,849

[22] Filed: Apr. 4, 1994

[52] U.S. Cl. D34/1

[58] Field of Search D34/1, 5-9, D34/11, 39; D32/37; 220/675, 908-911, DIG. 12, DIG. 14, 500, 553, 555; 232/43.2; D9/523, 325; 141/343; 222/460; D7/700

2,185,352	4/1938	Peters .	
2,751,073	6/1956	Sheeran	D34/39
3,190,483	10/1963	Robie .	
3,285,462	11/1966	Bulmer .	
4,603,791	8/1986	Spierer .	
5,090,309	2/1992	Lai .	
5,152,420	10/1992	Bird .	
5,221,010	6/1993	Bianco .	

Primary Examiner—Brian N. Vinson
Assistant Examiner—Robin V. Taylor
Attorney, Agent, or Firm—J. Michael McClanahan

[57] CLAIM

The ornamental design for a recycling container for aluminum cans, as shown and described.

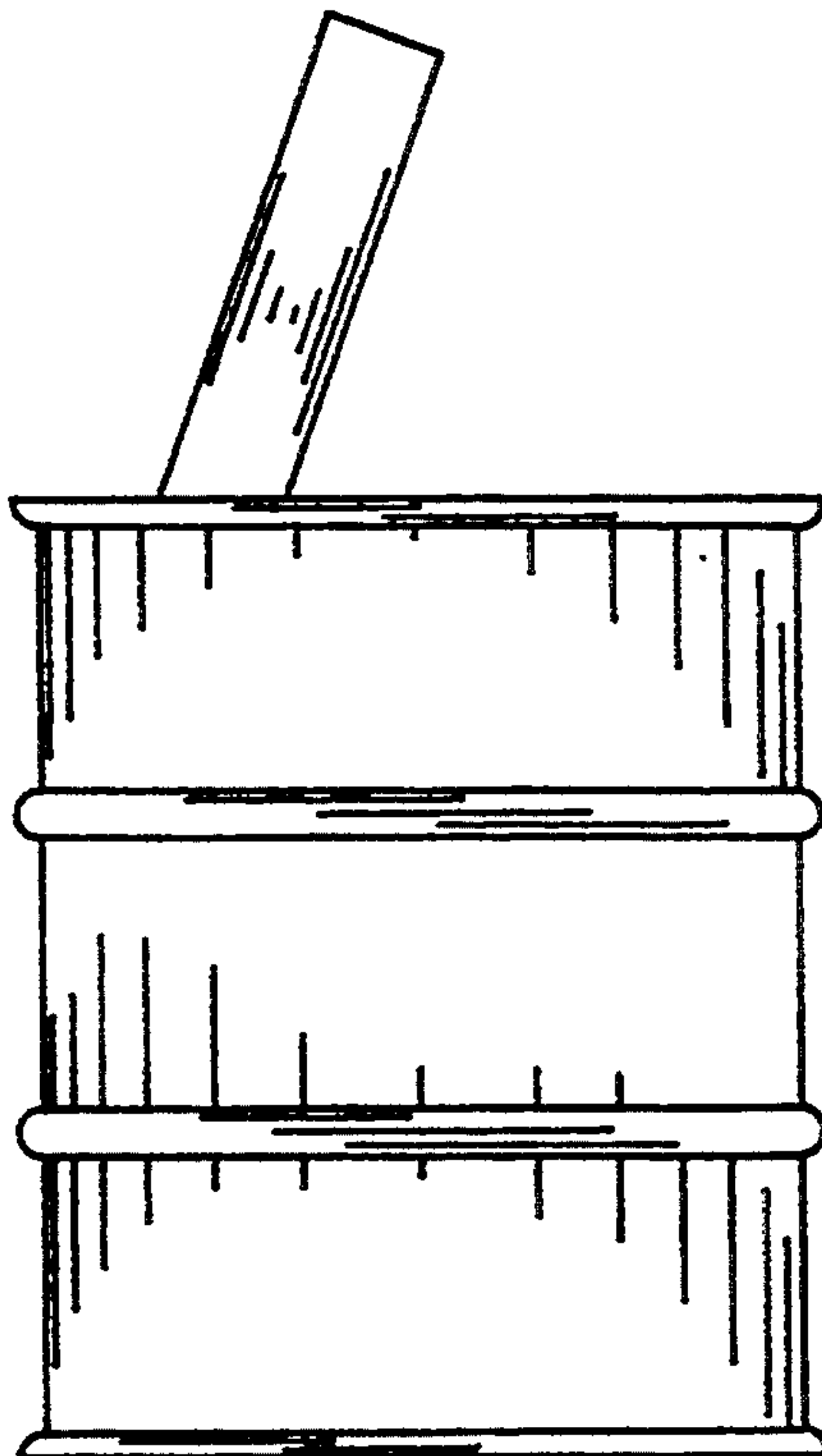
DESCRIPTION

FIG. 1 is a front elevational view of a recycling container for aluminum cans showing my new design; FIG. 2 is a rear elevational view thereof; FIG. 3 is a side elevational view thereof; FIG. 4 is a side elevational view thereof, said side being opposite to that side shown in FIG. 3; FIG. 5 is a top elevational view thereof; and, FIG. 6 is a bottom elevational view thereof.

[56] References Cited

U.S. PATENT DOCUMENTS

D. 260,352	8/1981	Damon .	
D. 292,037	9/1987	Hanitl .	
D. 344,385	2/1994	Przytulla	D34/39
1,207,918	12/1916	Hockersmith	220/908
1,238,010	8/1917	Fisher	220/908
1,965,356	7/1934	Rittenhouse	222/460



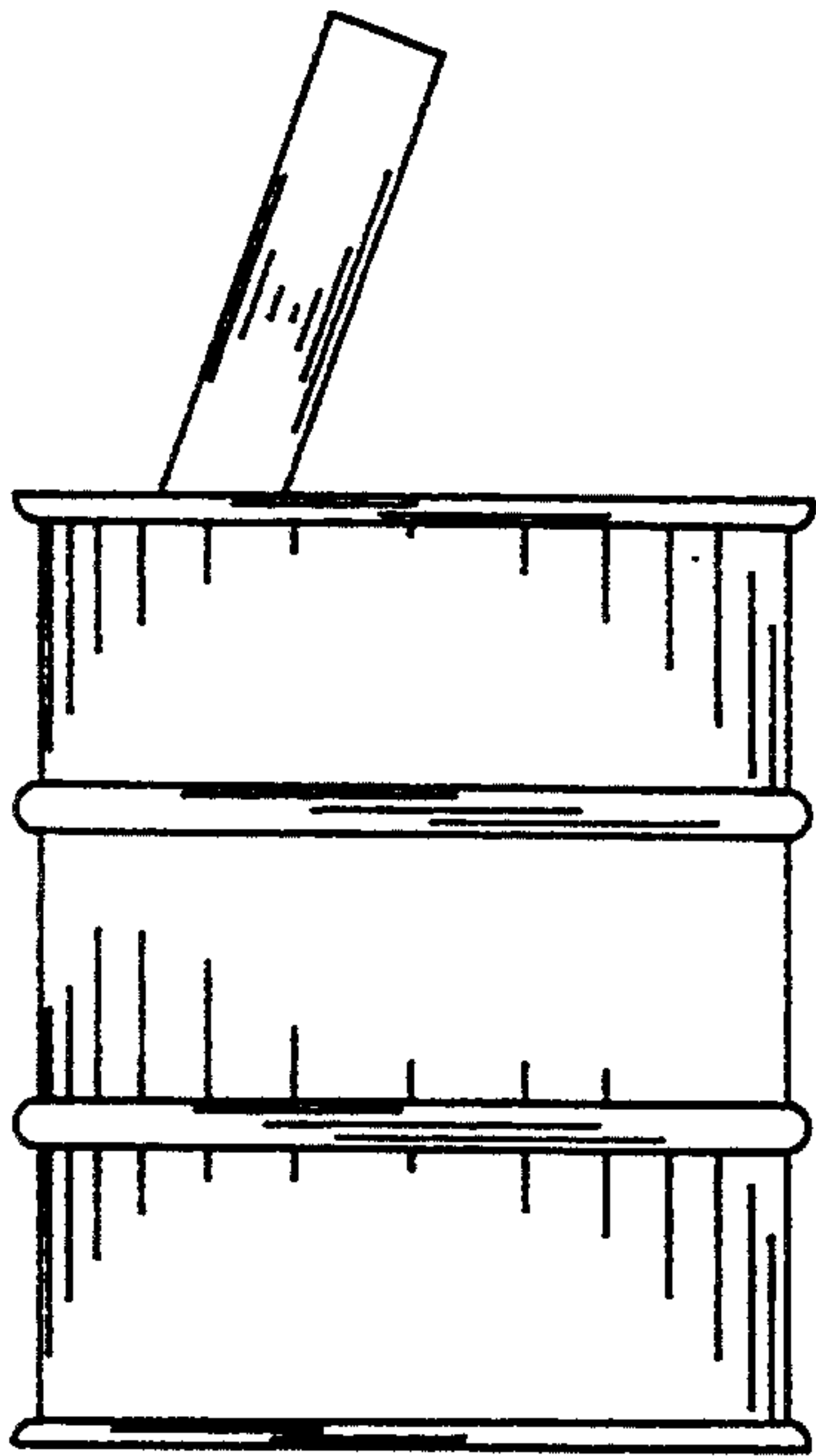


FIG. 1

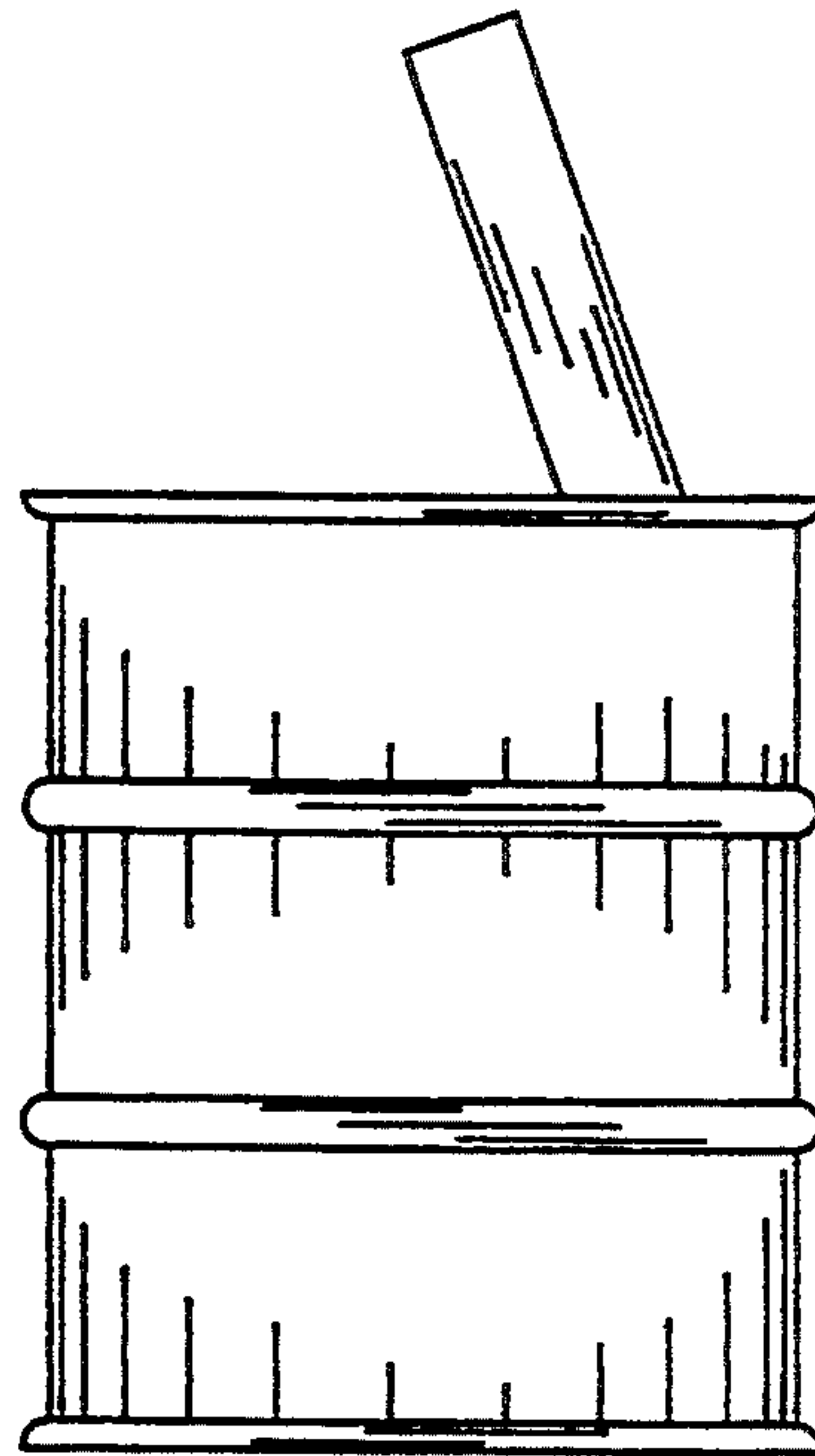


FIG. 2

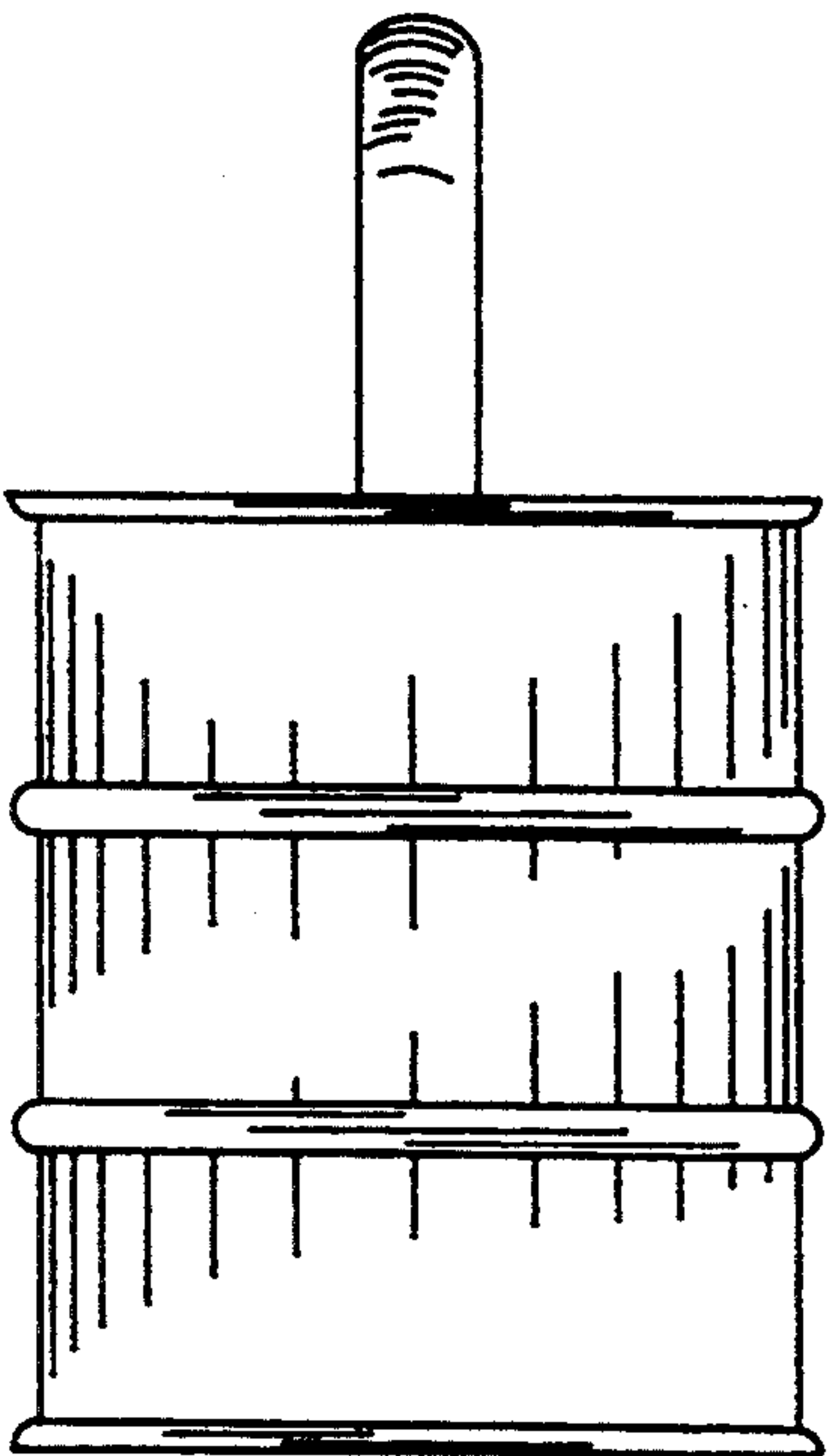


FIG. 3

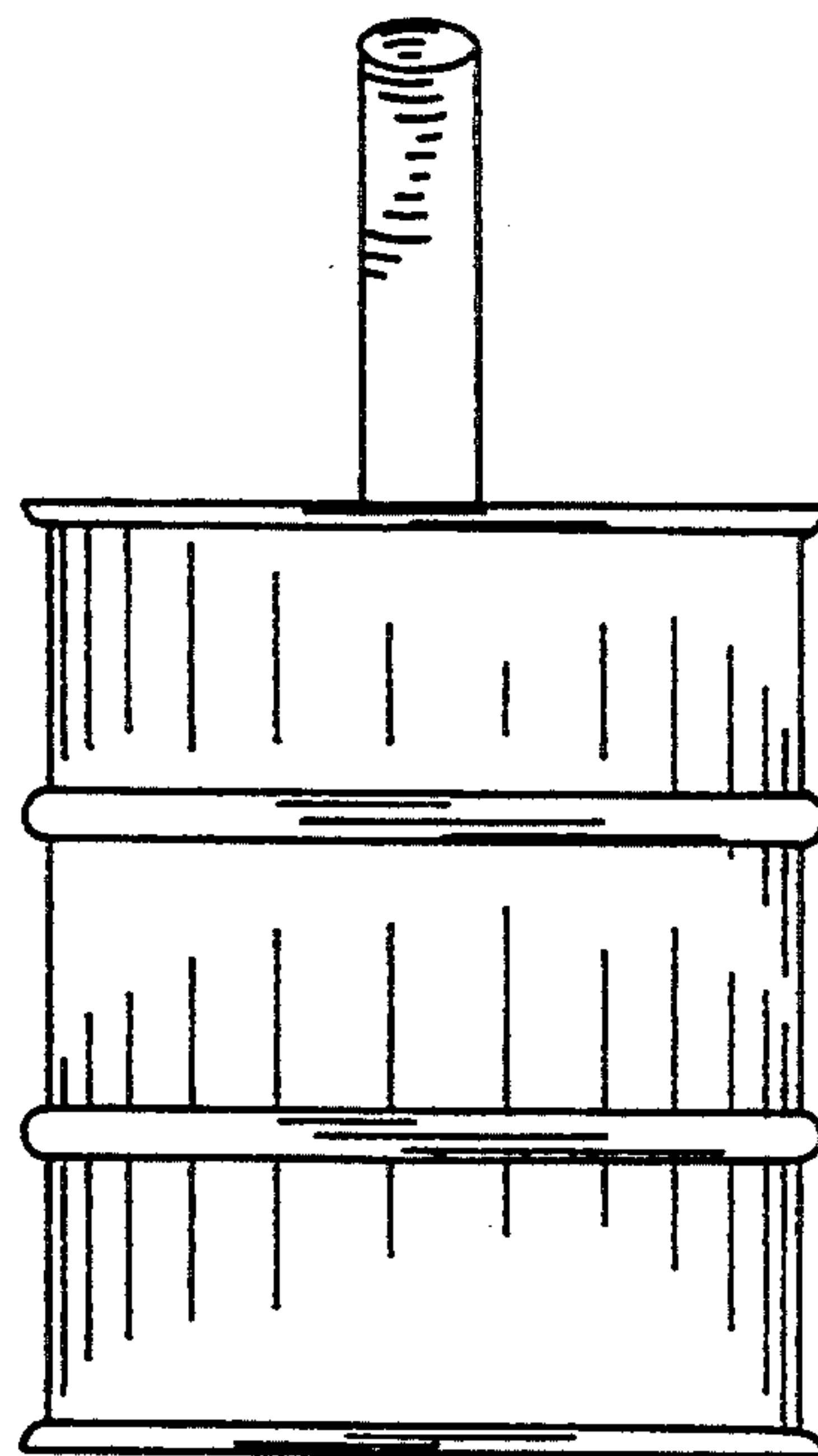


FIG. 4

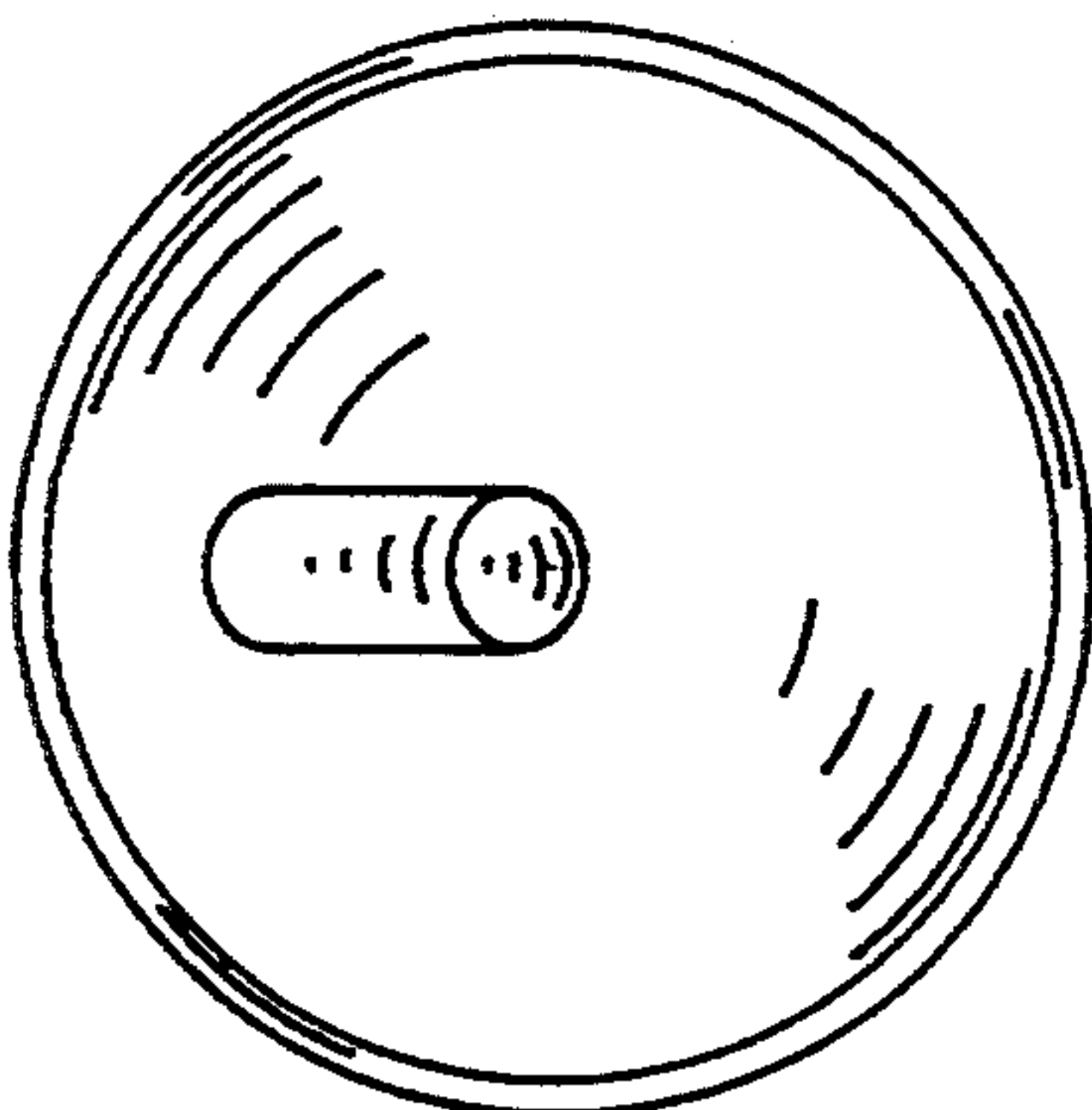


FIG. 5

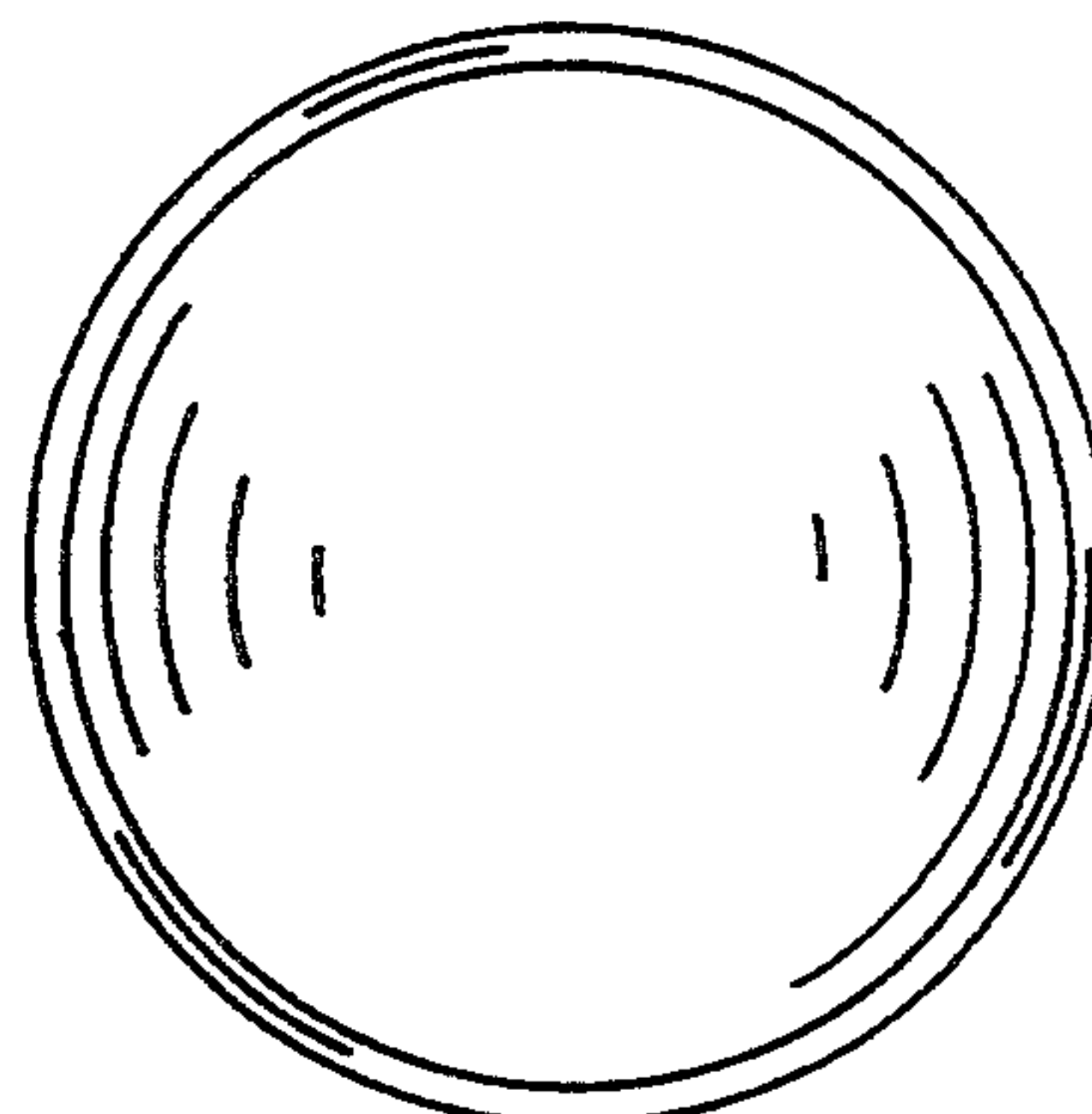


FIG. 6