



US00D359604S

United States Patent [19]

[11] Patent Number: **Des. 359,604**

Sovis et al.

[45] Date of Patent: **** Jun. 20, 1995**

[54] **VACUUM CLEANER**

[75] Inventors: **John F. Sovis**, Twinsburg; **Michael F. Wright**, Cuyahoga Falls; **Paul D. Stephens**, Cleveland Heights; **Craig M. Saunders**, Rocky River; **Richard C. Farone**, Wickliffe; **Karen P. Stephenson**; **Jeffrey J. Malish**, both of Willoughby, all of Ohio

[73] Assignee: **Royal Appliance Mfg. Co.**, Cleveland, Ohio

[**] Term: **14 Years**

[21] Appl. No.: **3,478**

[22] Filed: **Jan. 8, 1993**

[52] U.S. Cl. **D32/22**

[58] Field of Search **D32/18, 21, 22, 31-34; 15/323-326, 331-336, 337, 347, 350-351, 361, 377, 412, 413, 415.1**

[56] **References Cited**

U.S. PATENT DOCUMENTS

D. 237,244 10/1975 Williams **D32/22**

D. 280,033	8/1985	Miyamoto et al.	D32/22
D. 290,894	7/1987	Miyamoto et al.	D32/22
D. 290,895	7/1987	Thomas et al.	D32/22
D. 296,486	6/1988	Staubitz et al.	D32/22
D. 301,649	6/1989	Yamamoto et al.	D32/22
D. 303,173	8/1989	Miyamoto et al.	D32/22
D. 306,225	2/1990	Correa	D32/22
D. 307,656	5/1990	Yuen	D32/22
D. 307,657	5/1990	Li	D32/22
D. 328,165	7/1992	Ferrari et al.	D32/22

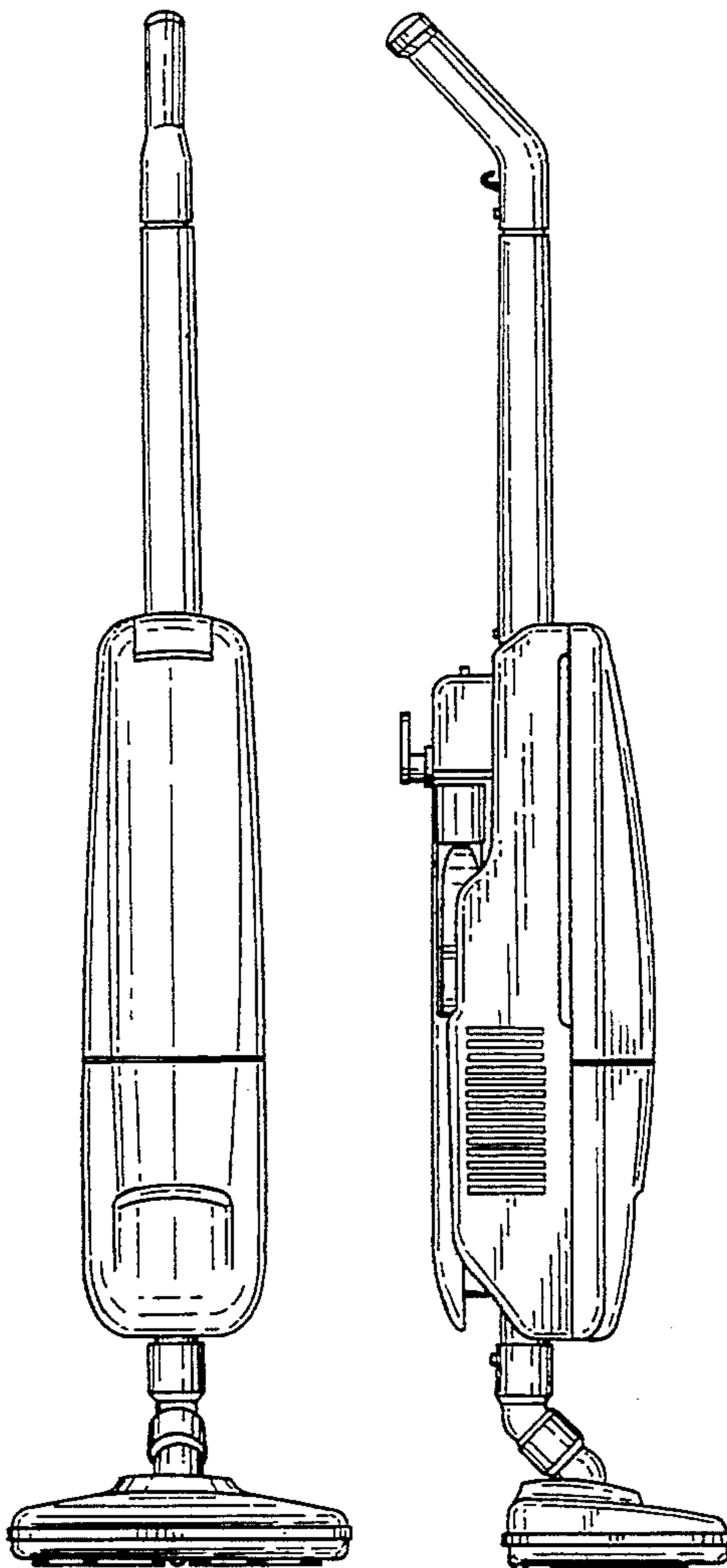
Primary Examiner—Ruth McInroy
Attorney, Agent, or Firm—Fay, Sharpe, Beall, Fagan, Minnich & McKee

[57] **CLAIM**

The ornamental design for a vacuum cleaner, as shown.

DESCRIPTION

FIG. 1 is a front elevational view of a vacuum cleaner showing our new design;
FIG. 2 is a left side elevational view thereof;
FIG. 3 is a right elevational view thereof;
FIG. 4 is a rear elevational view thereof;
FIG. 5 is a top plan view thereof; and,
FIG. 6 is a bottom plan view thereof.



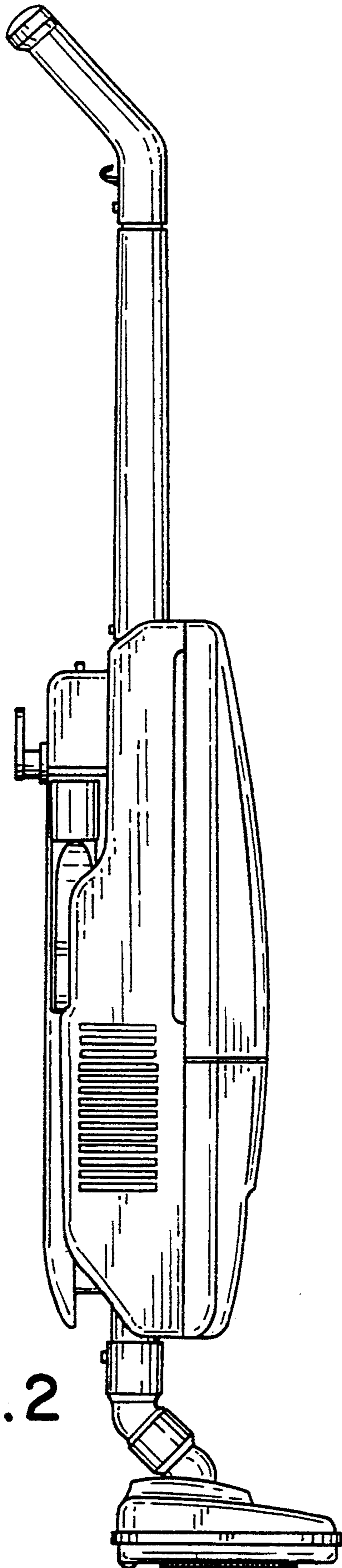


FIG. 2

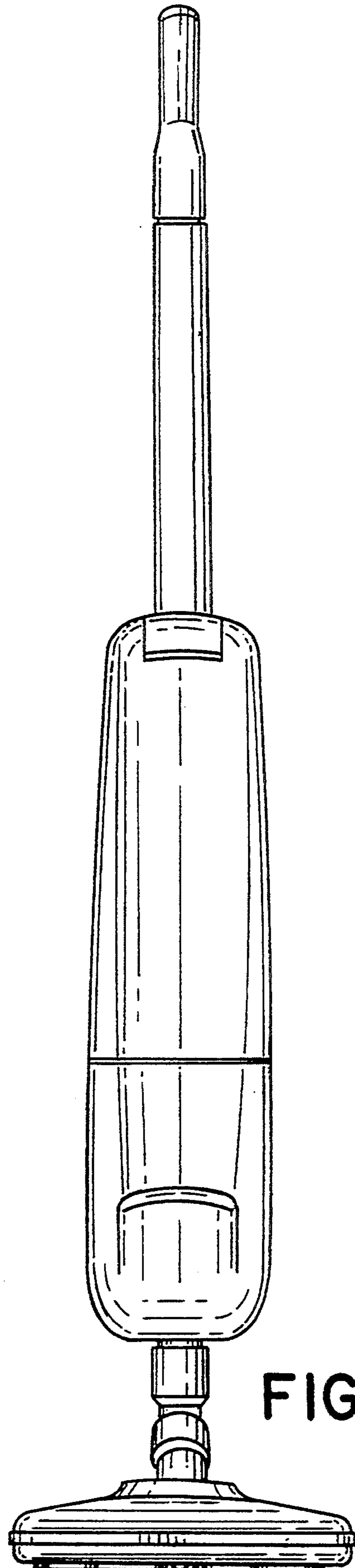


FIG. 1

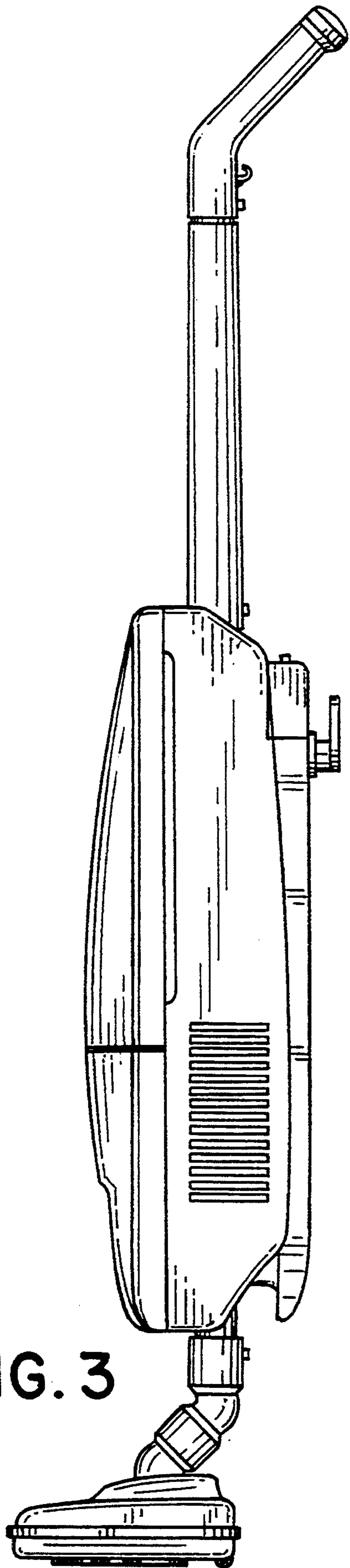


FIG. 3

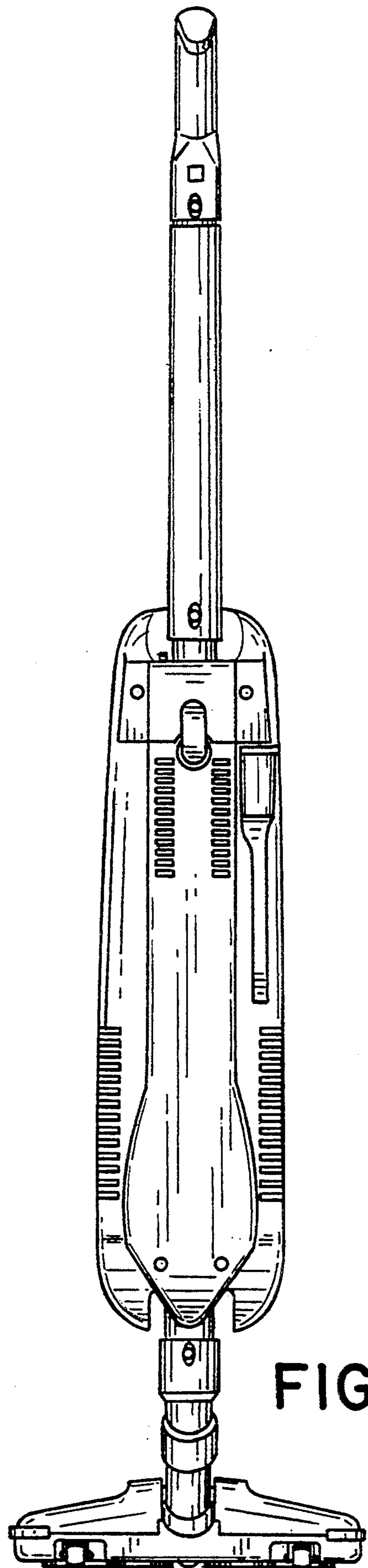


FIG. 4

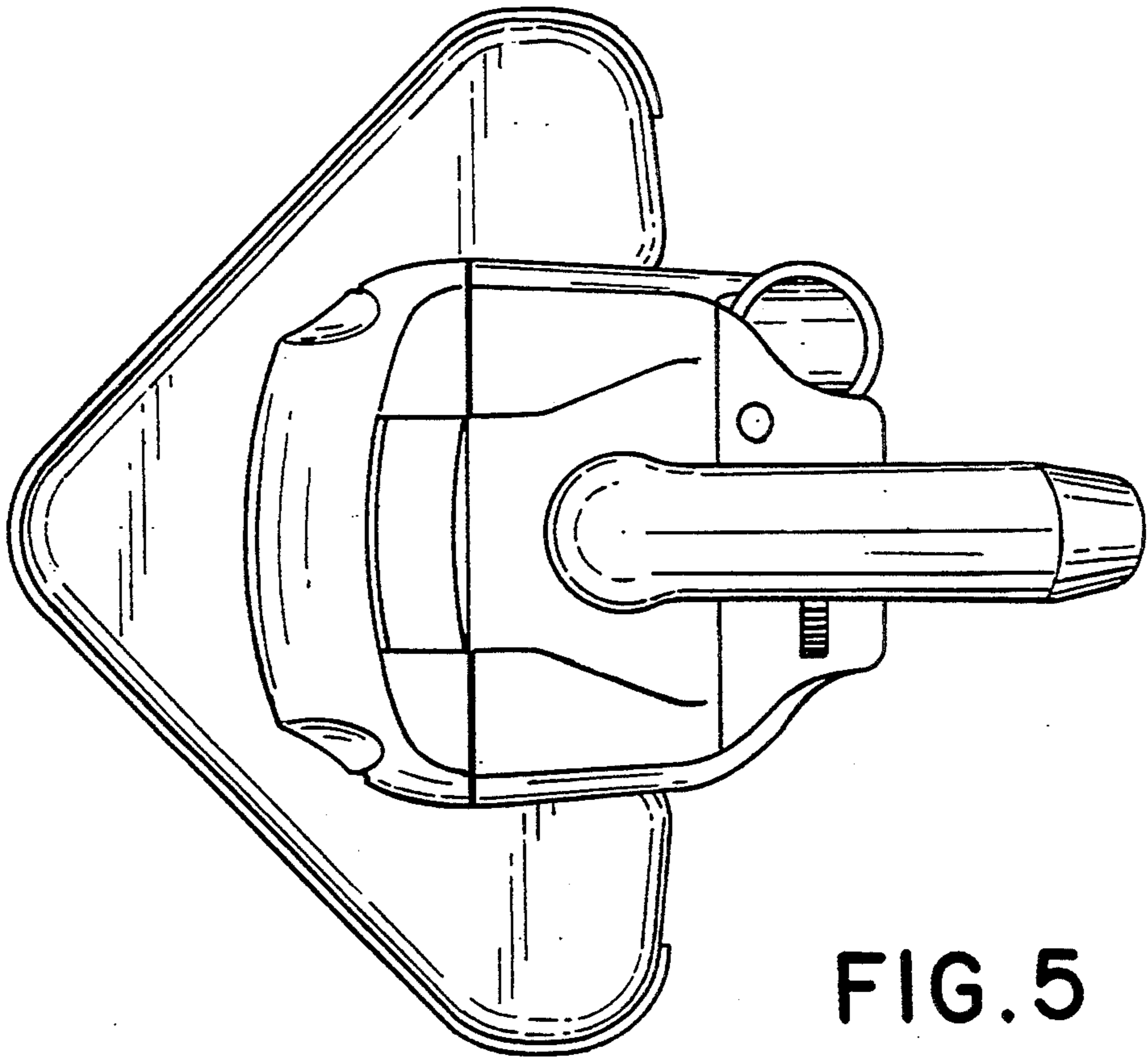


FIG. 5

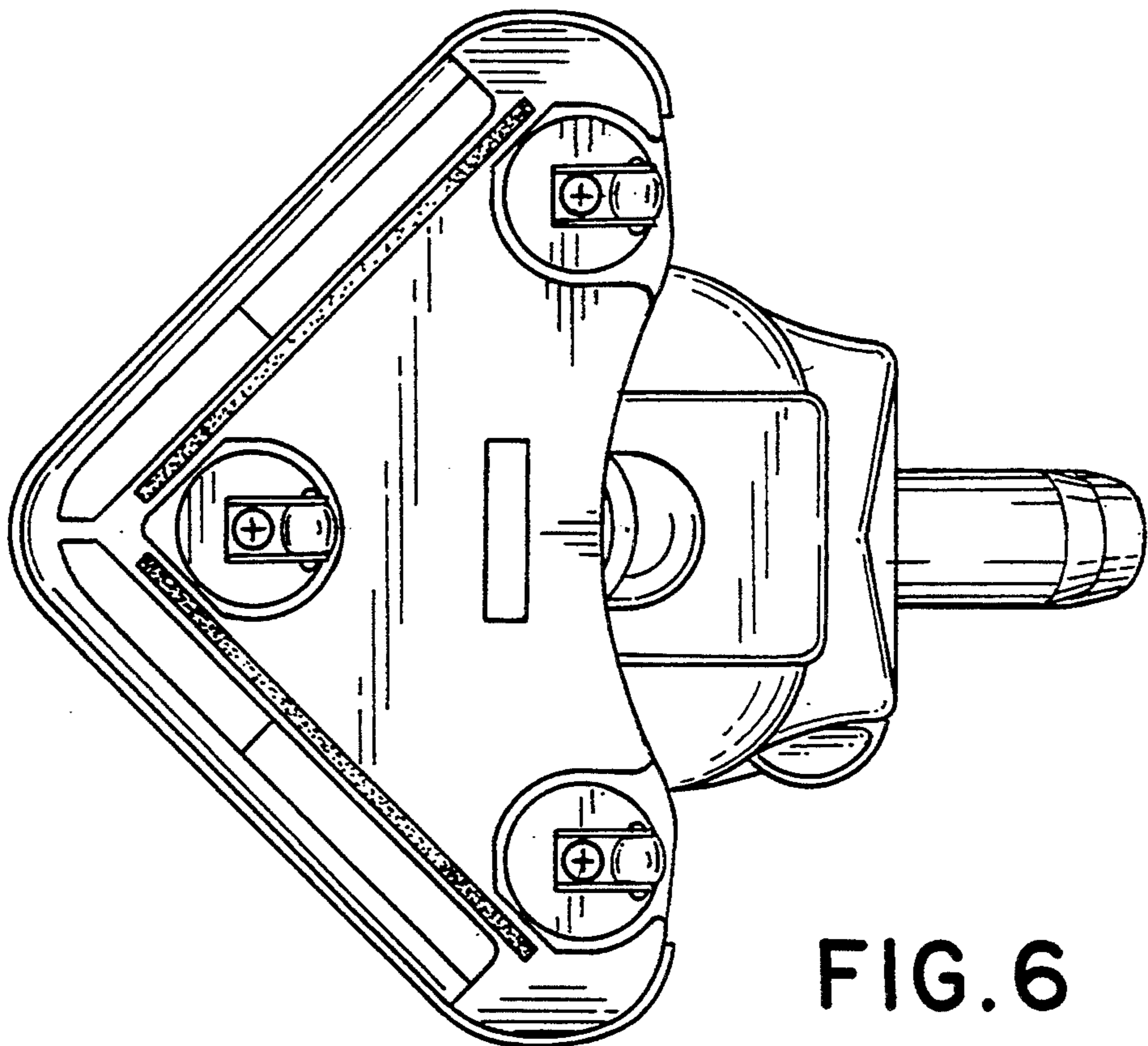


FIG. 6