



US00D359603S

# United States Patent [19]

[11] Patent Number: **Des. 359,603**

Rakocy et al.

[45] Date of Patent: **\*\* Jun. 20, 1995**

## [54] BLOWER ASSEMBLY

[75] Inventors: **William J. Rakocy**, Madison, Conn.;  
**James F. Smith**, Louisville, Ohio;  
**Wesley A. Schroeder**, Seville, Ohio;  
**Louis G. Whitaker**, Alliance, Ohio

[73] Assignee: **GMI Holdings, Inc.**, Alliance, Ohio

[\*\*] Term: **14 Years**

[21] Appl. No.: **12,861**

[22] Filed: **Sep. 13, 1993**

### Related U.S. Application Data

[62] Division of Ser. No. 491,481, Mar. 9, 1990, Pat. No. Des. 339,432.

[52] U.S. Cl. .... **D32/15**

[58] Field of Search ..... D32/1, 15, 16, 17;  
15/344, 347, 405, 415.1, 330, 414, 412

### [56] References Cited

#### U.S. PATENT DOCUMENTS

D. 258,908	4/1981	Satoh	.....	D32/15
D. 263,547	3/1982	Carsello	.....	D32/15
D. 279,319	6/1985	McCloskey et al.	.....	D32/15
D. 282,396	1/1986	Weaver	.....	D32/15
D. 285,132	8/1986	Smith et al.	.....	D32/15
D. 286,927	11/1986	Aiyama	.....	D32/15
D. 297,274	8/1988	Komiya et al.	.....	D32/15
D. 305,816	1/1990	Berfield et al.	.....	D32/15
D. 307,655	5/1990	Hinklin et al.	.....	D32/15

D. 319,122	8/1991	Gerke et al.	.....	D32/15
D. 319,714	9/1991	Gerke et al.	.....	D32/15
D. 320,101	9/1991	Gerke et al.	.....	D32/15
D. 339,432	9/1993	Rakocy et al.	.....	D32/15
4,644,606	2/1987	Luerken et al.	.....	D32/15
4,694,528	9/1987	Corner et al.	.....	15/339

### OTHER PUBLICATIONS

Hammacher Schlemmer & Co, Spring Supplement 1986, p. 10. "The Best Leaf Blower".  
Power Blowers & Blower/Vacs Brochure, Jul. 1985. "Weed Eater® Blowers".

Primary Examiner—Ruth McInroy

Attorney, Agent, or Firm—Leydig, Voit & Mayer, Ltd.

### [57] CLAIM

The ornamental design for a blower assembly, as shown and described.

### DESCRIPTION

FIG. 1 is a front perspective view of a blower assembly showing our new design;

FIG. 2 is a right side elevational view thereof;

FIG. 3 is a left side elevational view thereof;

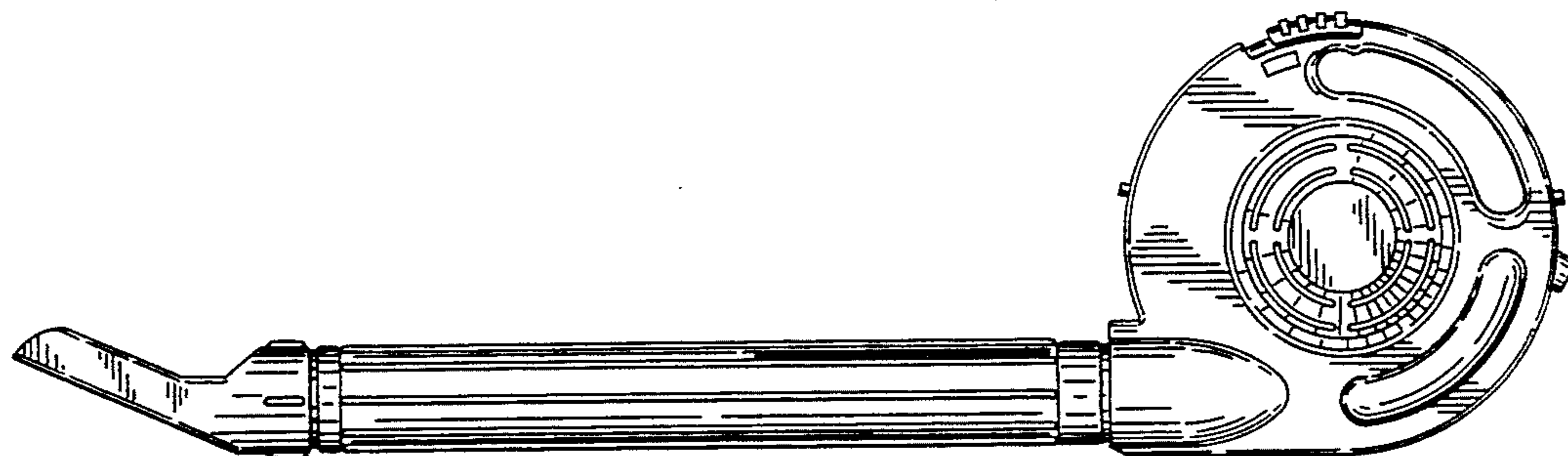
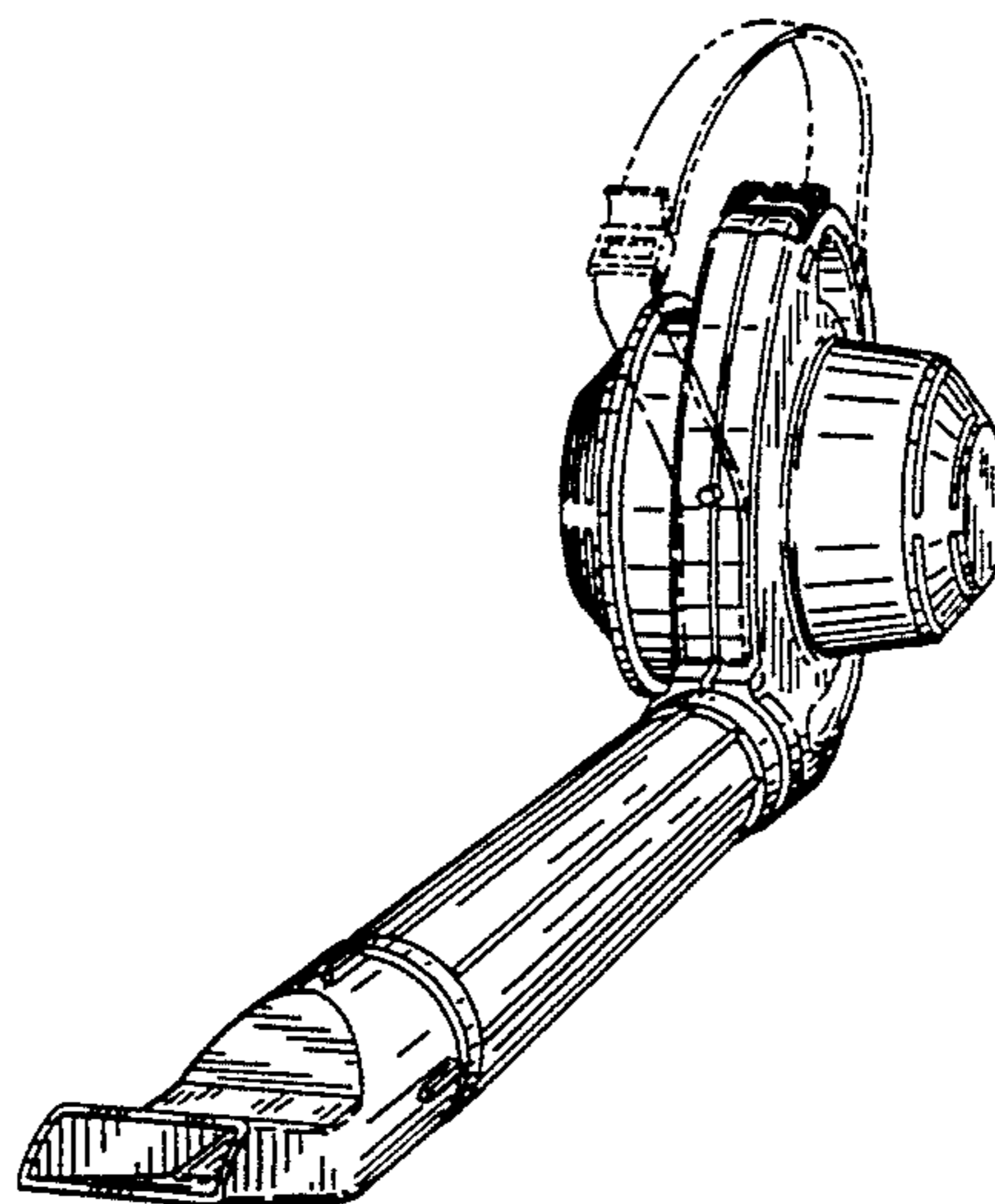
FIG. 4 is a front elevational view thereof;

FIG. 5 is a rear elevational view thereof;

FIG. 6 is a top plan view thereof; and,

FIG. 7 is a bottom plan view thereof.

The strap shown in broken lines in FIG. 1 is for illustrative purposes only and forms no part of the claimed design.



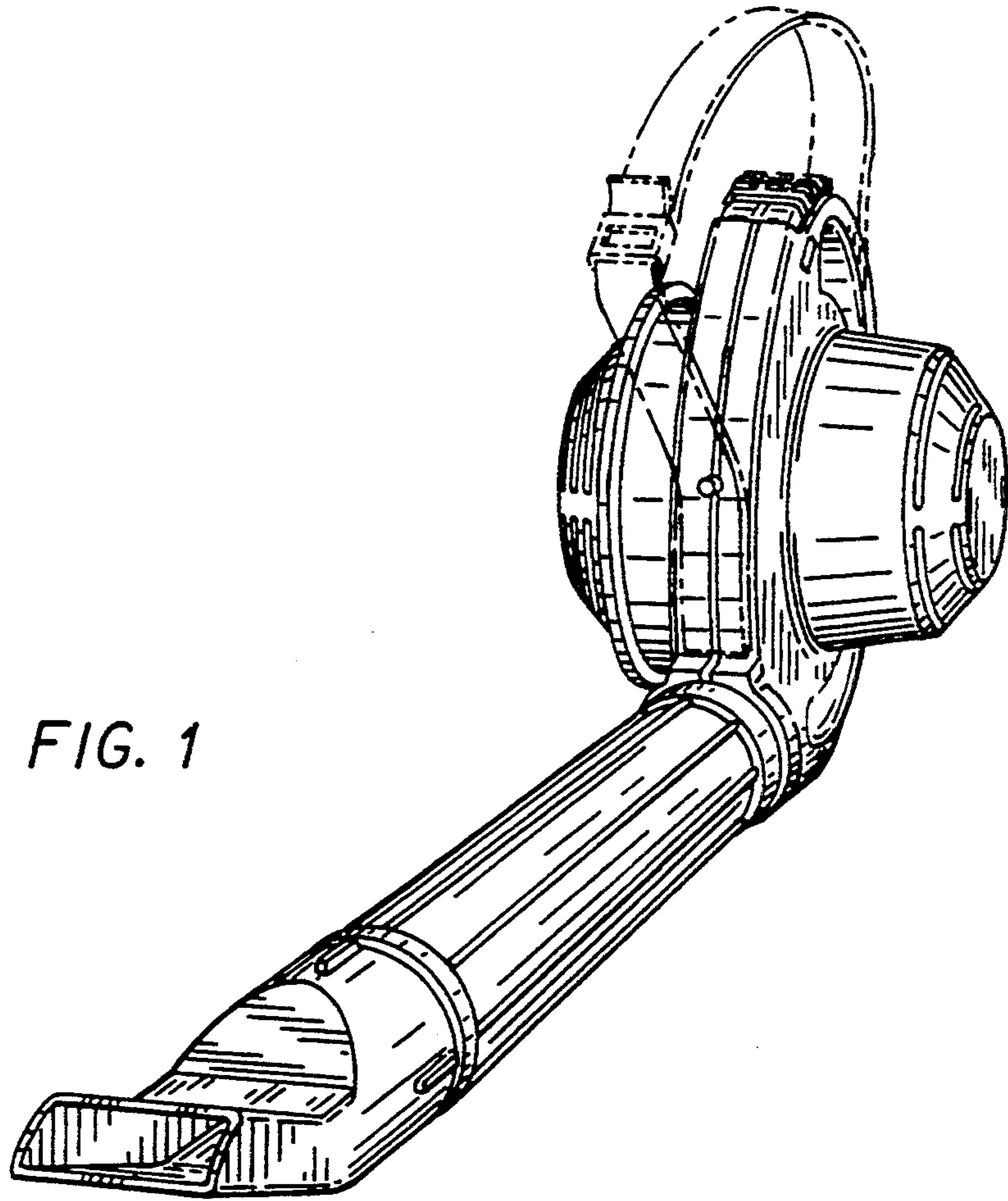


FIG. 1

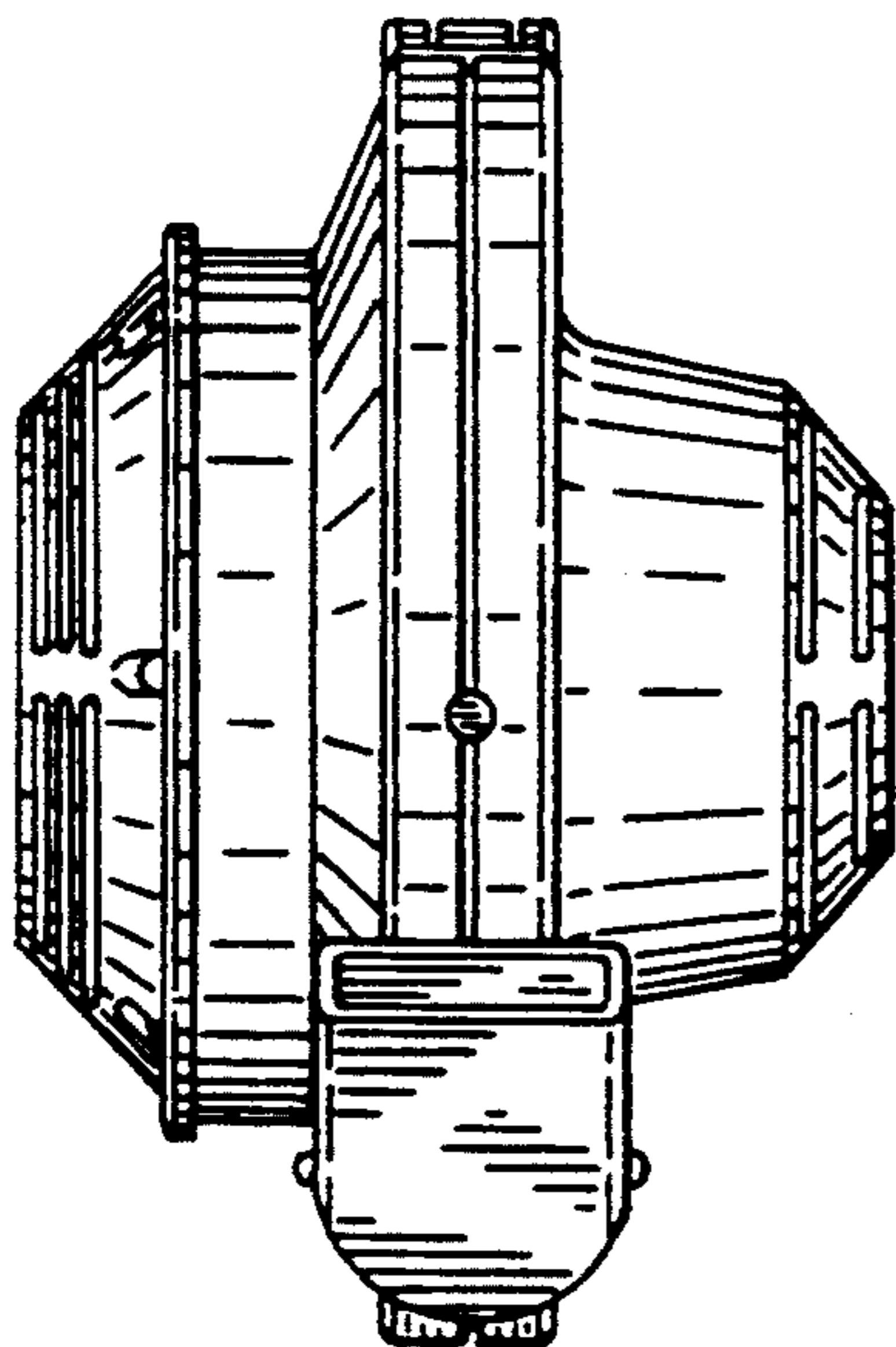


FIG. 4

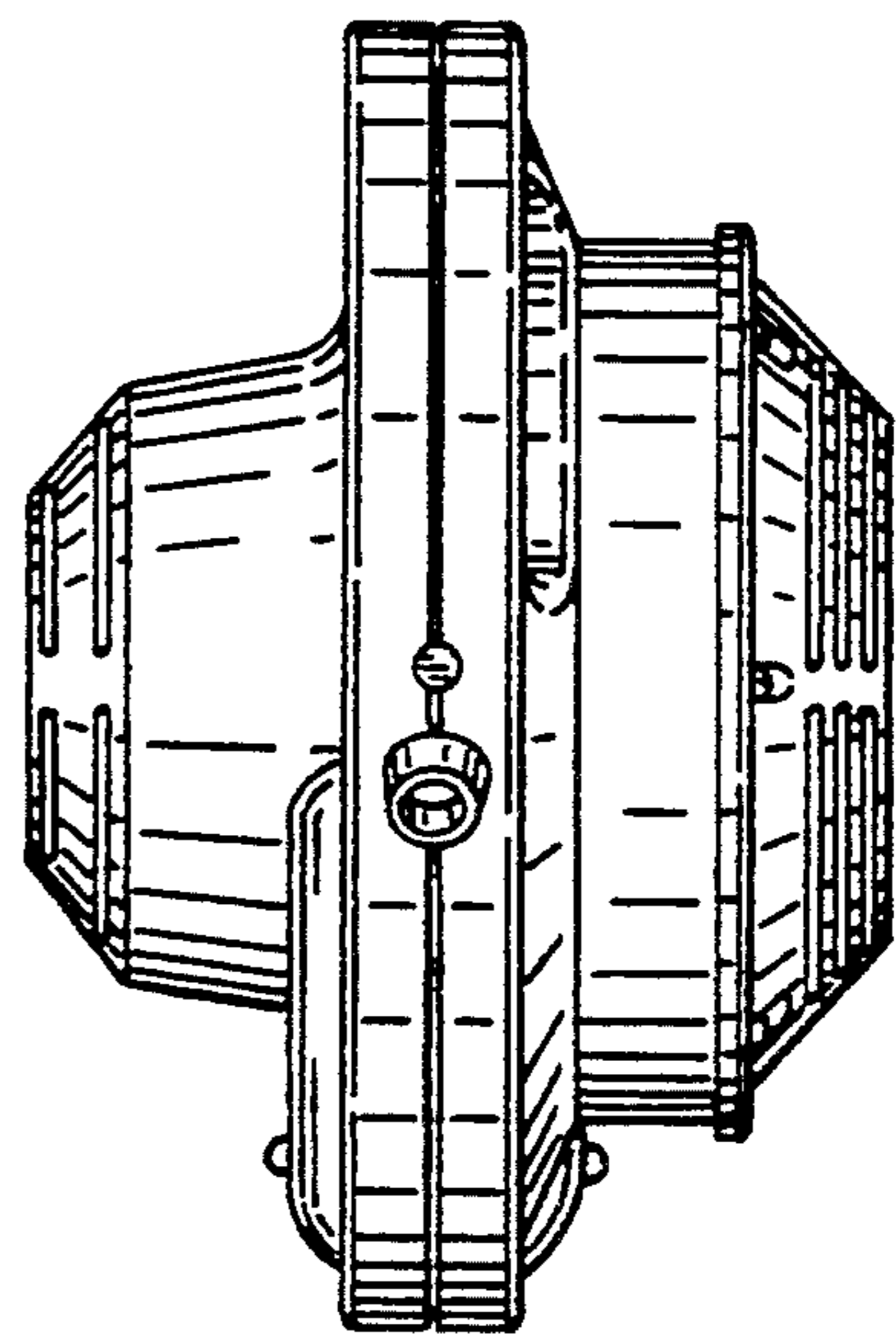


FIG. 5

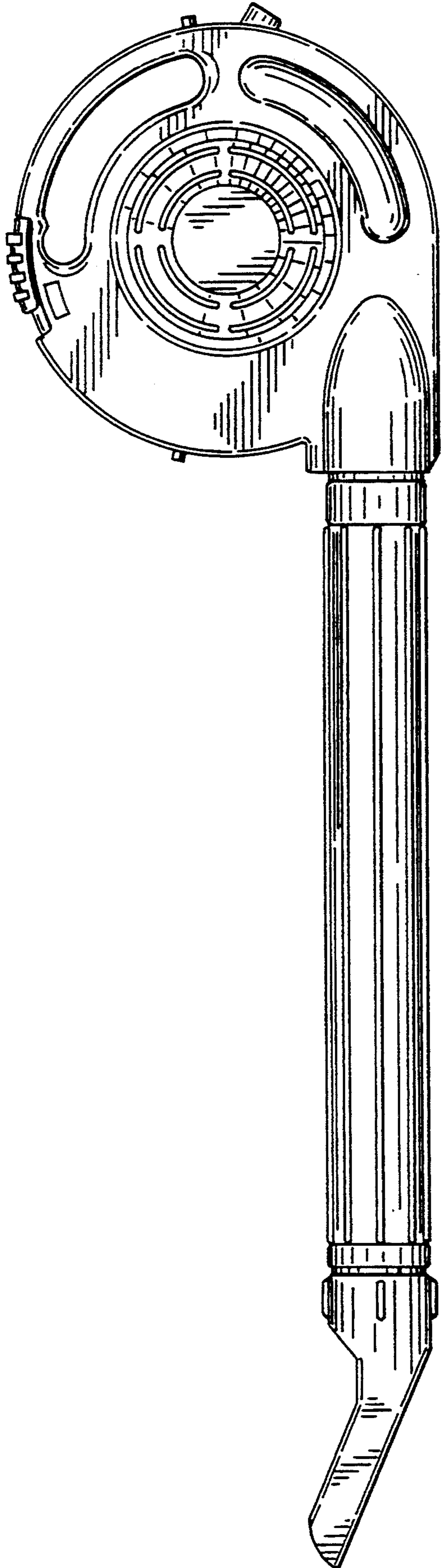


FIG. 2

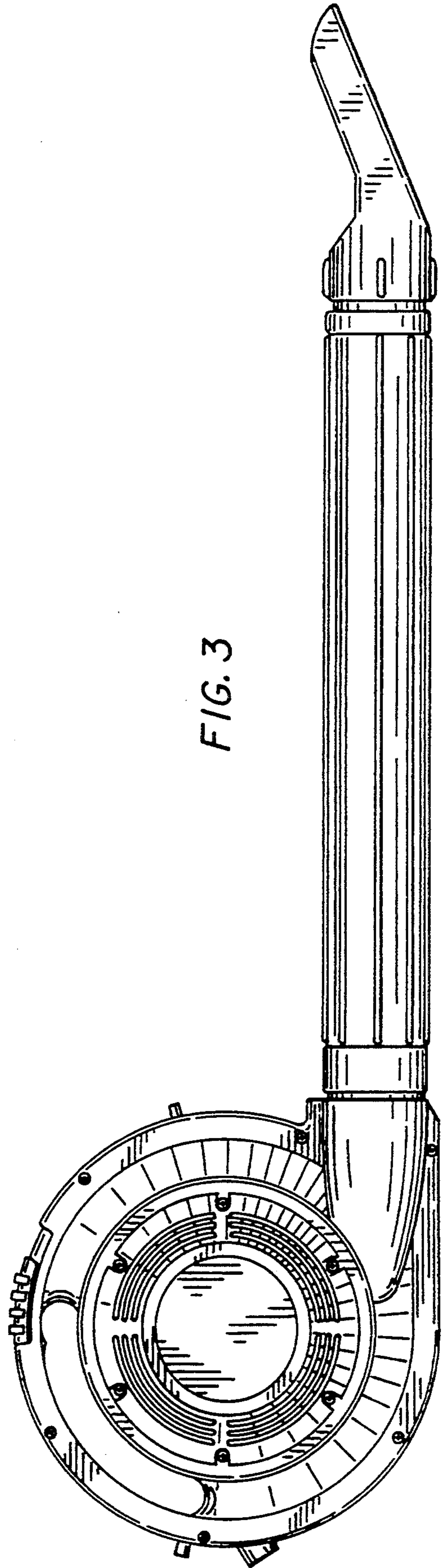


FIG. 3

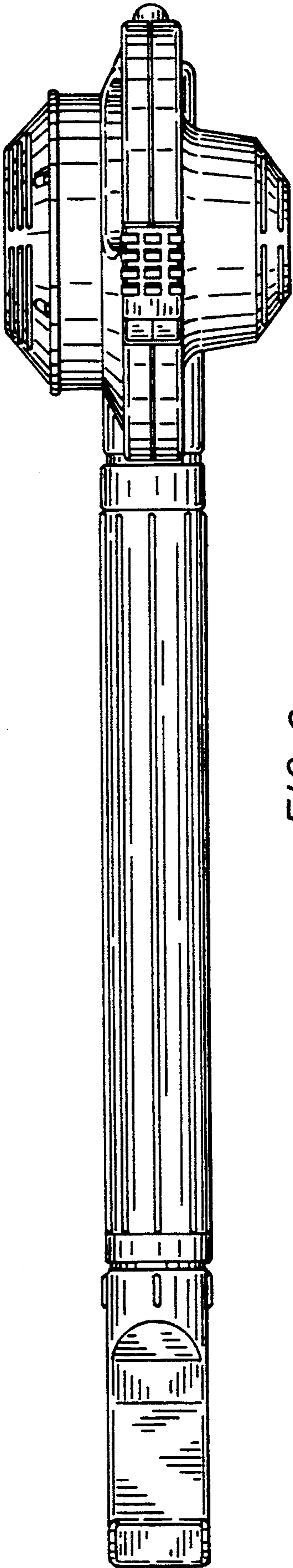


FIG. 6

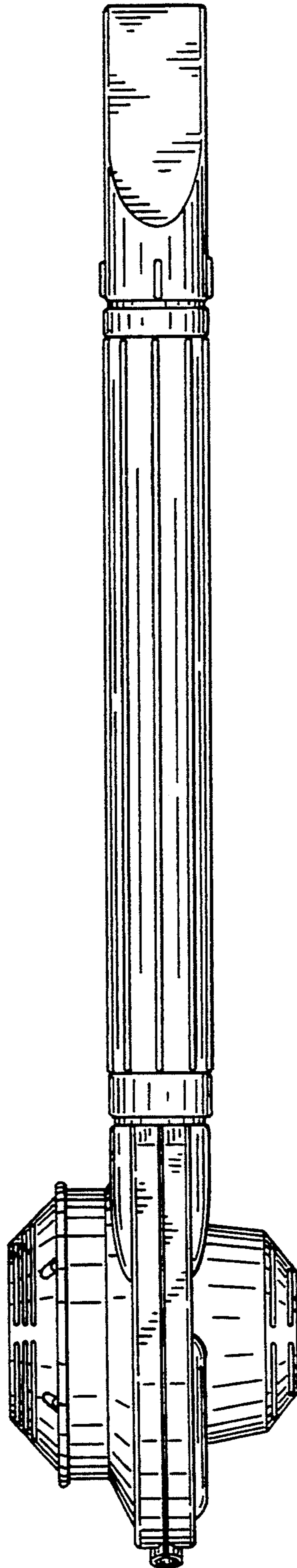


FIG. 7