



US00D359597S

# United States Patent [19]

[11] Patent Number: **Des. 359,597**

Dixon

[45] Date of Patent: **\*\* Jun. 20, 1995**

[54] HORSESHOE

4,155,406 5/1979 Hourlier ..... 54/82  
4,444,269 4/1984 Laurent ..... 168/1

[76] Inventor: **Mark Dixon**, 418 West Story,  
Bozeman, Mont. 59715

### FOREIGN PATENT DOCUMENTS

[\*\*] Term: **14 Years**

340780 7/1904 France ..... 168/22  
390108 9/1908 France ..... 168/22  
2783 7/1876 United Kingdom ..... 168/22  
8819 of 1900 United Kingdom ..... 54/82

[21] Appl. No.: **19,031**

[22] Filed: **Feb. 22, 1994**

*Primary Examiner*—Cathy Anne MacCormac  
*Attorney, Agent, or Firm*—Kokjer, Kircher, Bowman &  
Johnson

[52] U.S. Cl. .... **D30/147**

[58] Field of Search ..... 119/851; 54/82; 168/1,  
168/2, 3, 18, 22; D30/146-149

### [57] CLAIM

[56] **References Cited**

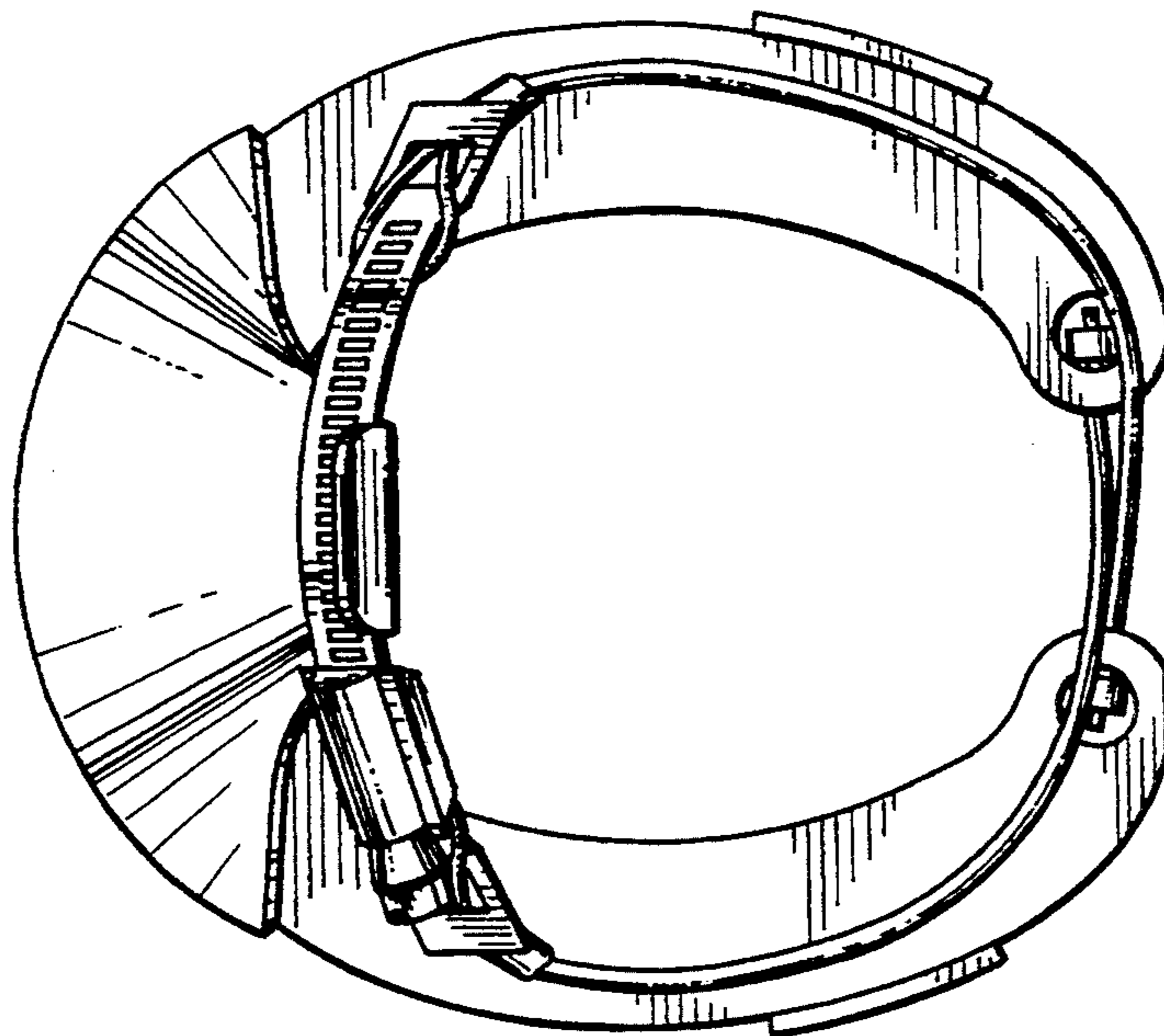
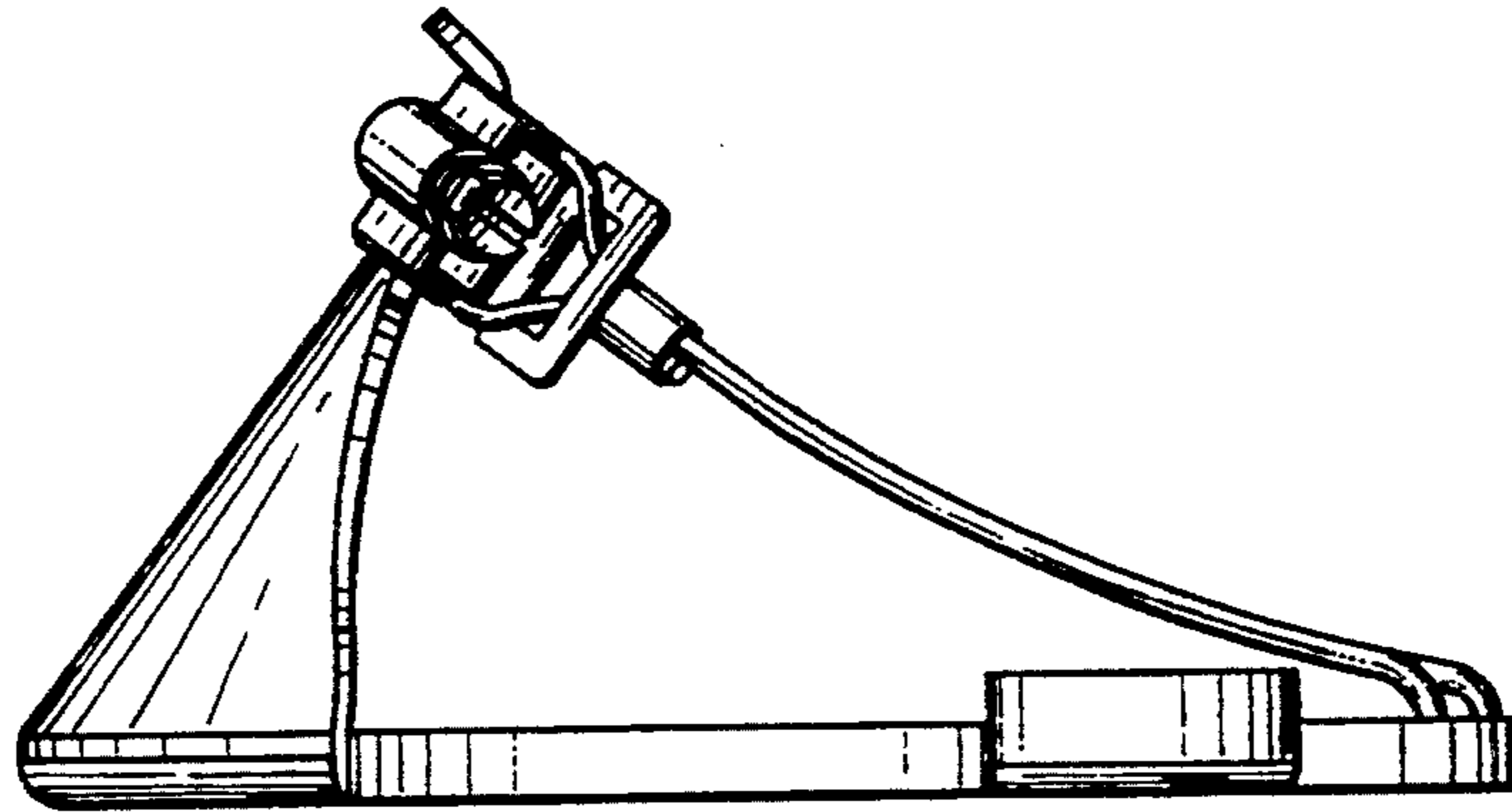
The ornamental design for a horseshoe, as shown and described.

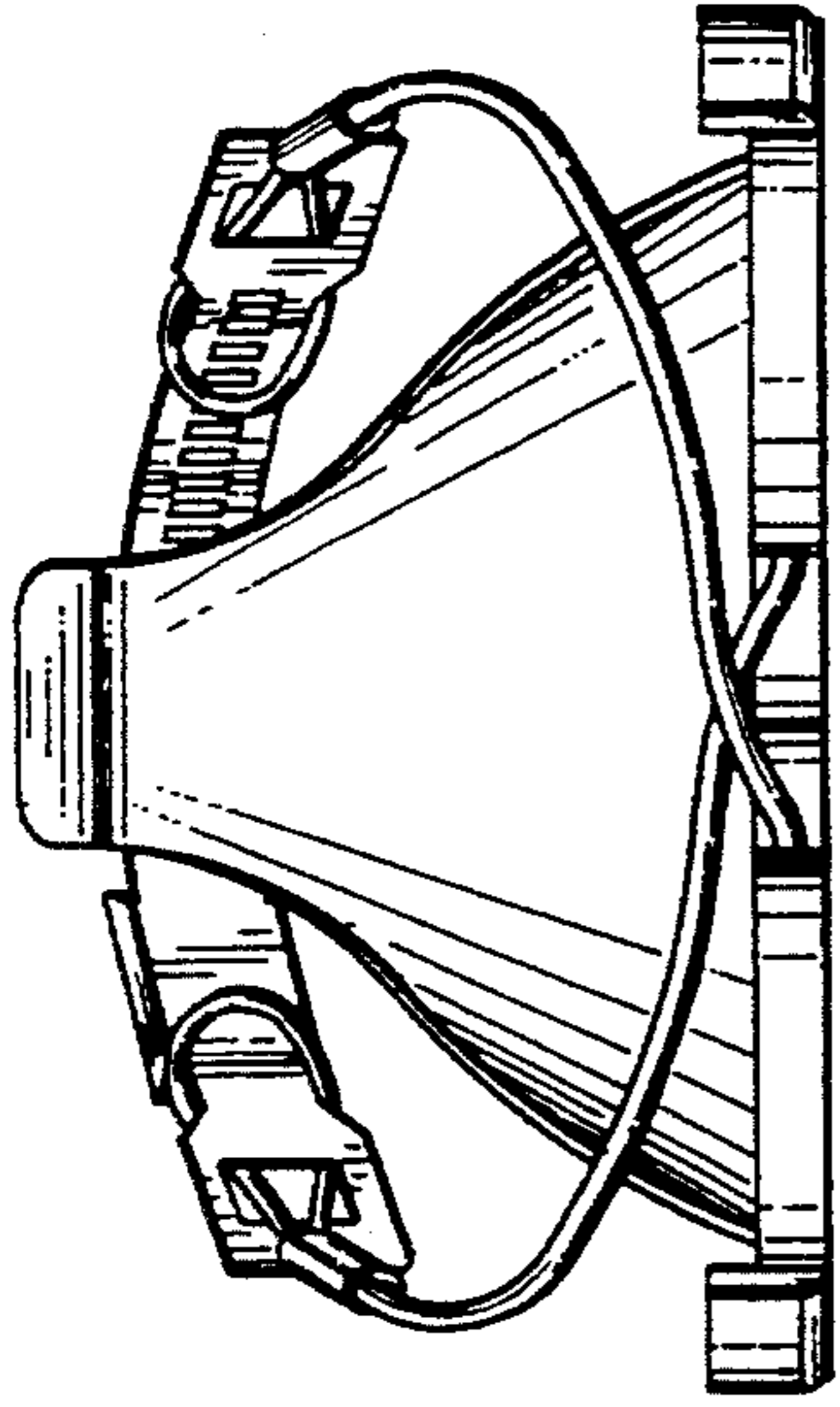
### U.S. PATENT DOCUMENTS

35,484 12/1901 Bolton ..... D30/148  
D. 285,499 9/1986 Nakanishi ..... D30/149  
501,567 7/1893 Haedrich, Jr. .... 168/18  
519,822 5/1894 Sidebotham ..... 54/82  
626,313 6/1899 Stuart ..... 54/82  
830,403 9/1906 Barclay ..... 54/82  
1,120,059 12/1914 Johnson ..... 168/22  
3,286,441 11/1966 Eanes ..... 54/82

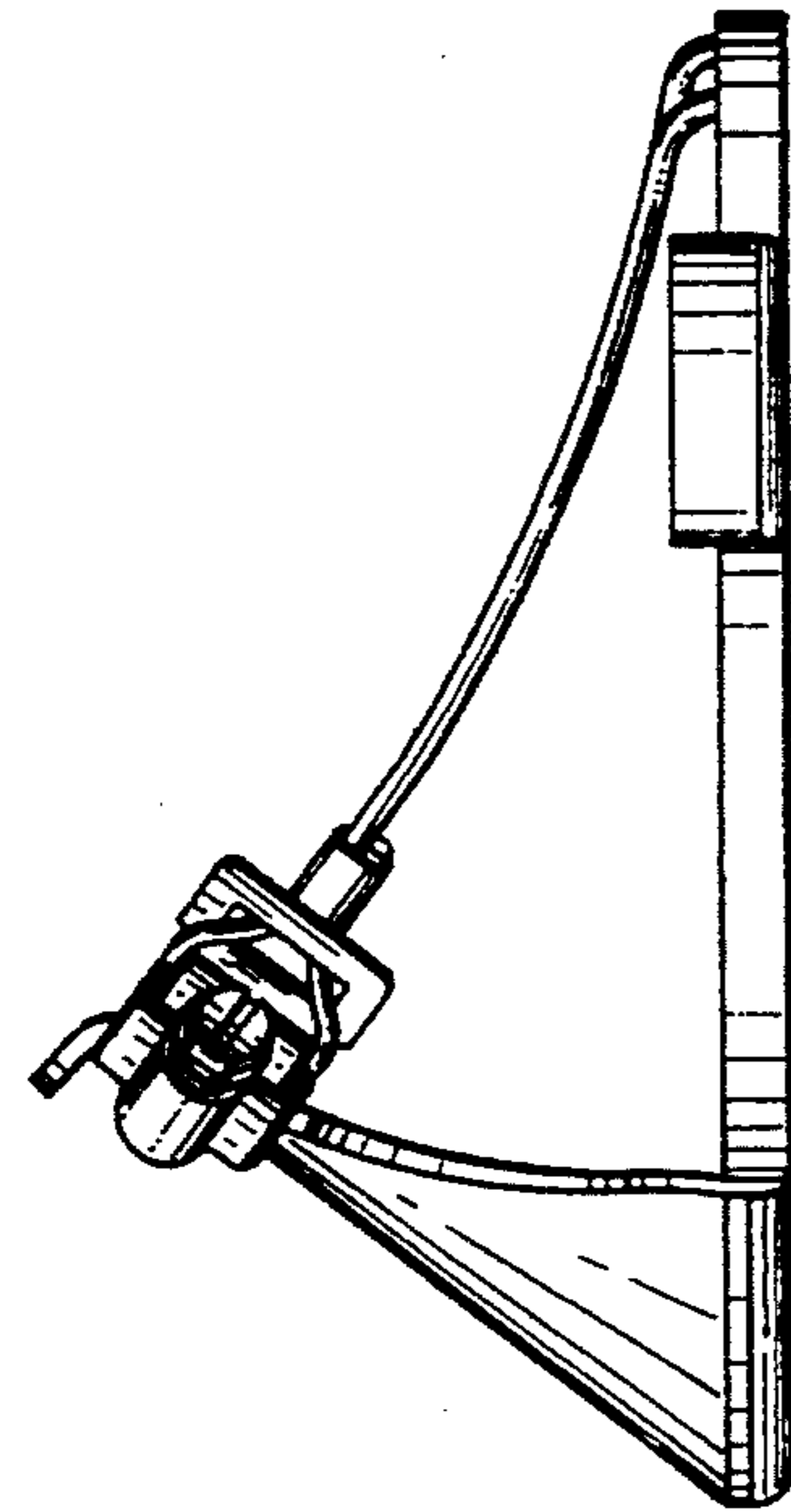
### DESCRIPTION

FIG. 1 is a front elevation view of a horseshoe according to the present invention;  
FIG. 2 is a right side elevation view thereof;  
FIG. 3 is a rear elevation view thereof;  
FIG. 4 is a top plan view thereof; and,  
FIG. 5 is a bottom plan view thereof.

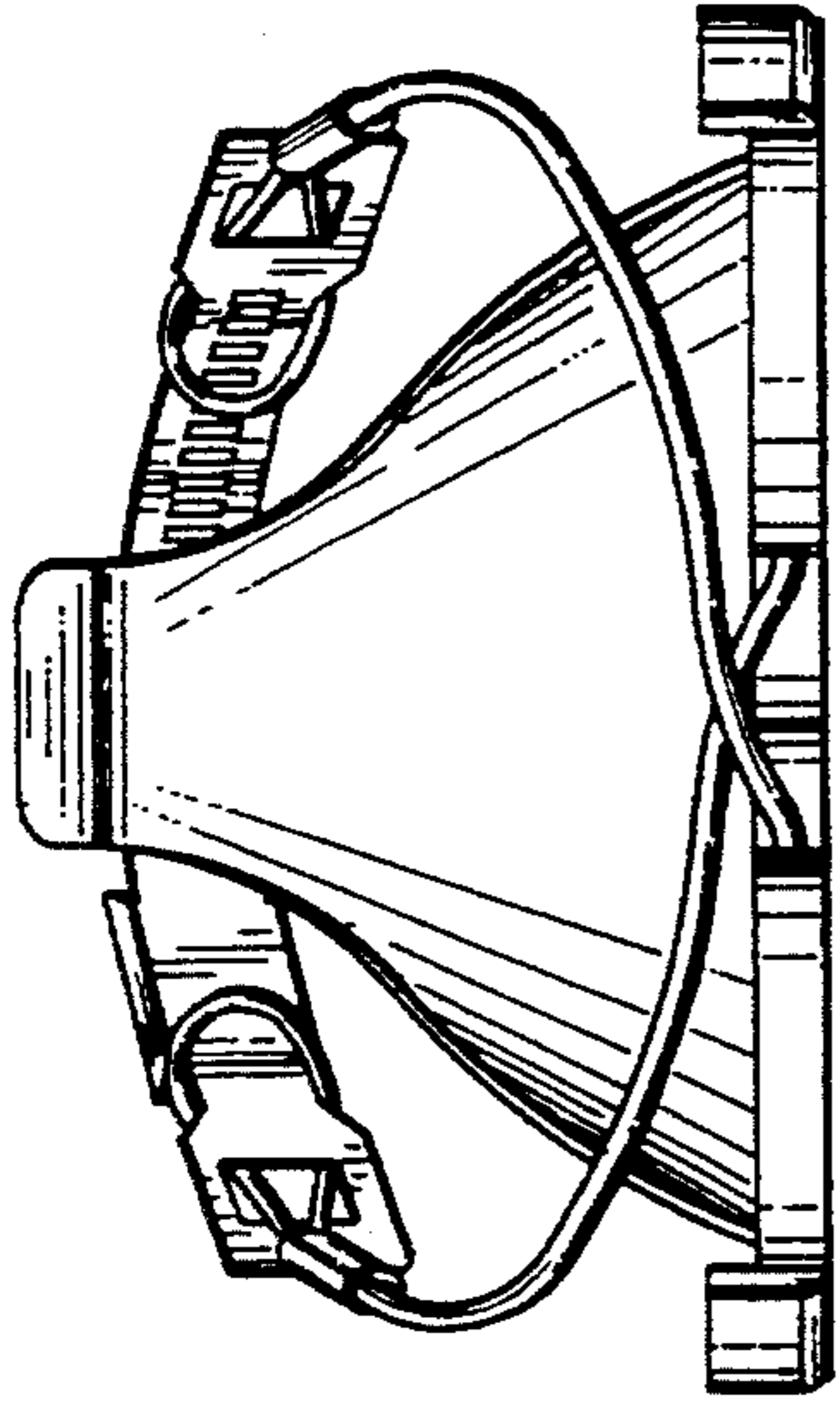




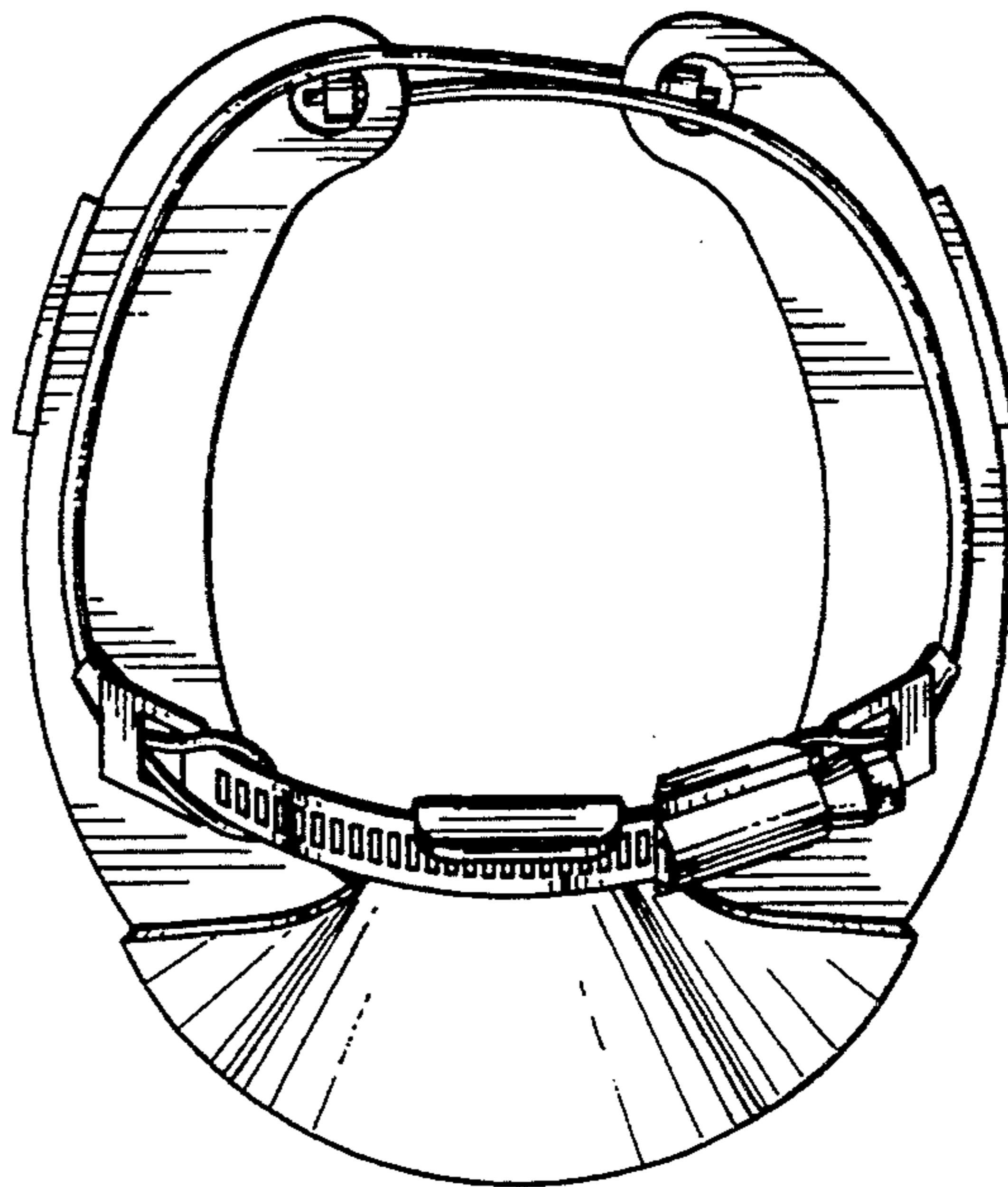
*Fig. 1.*



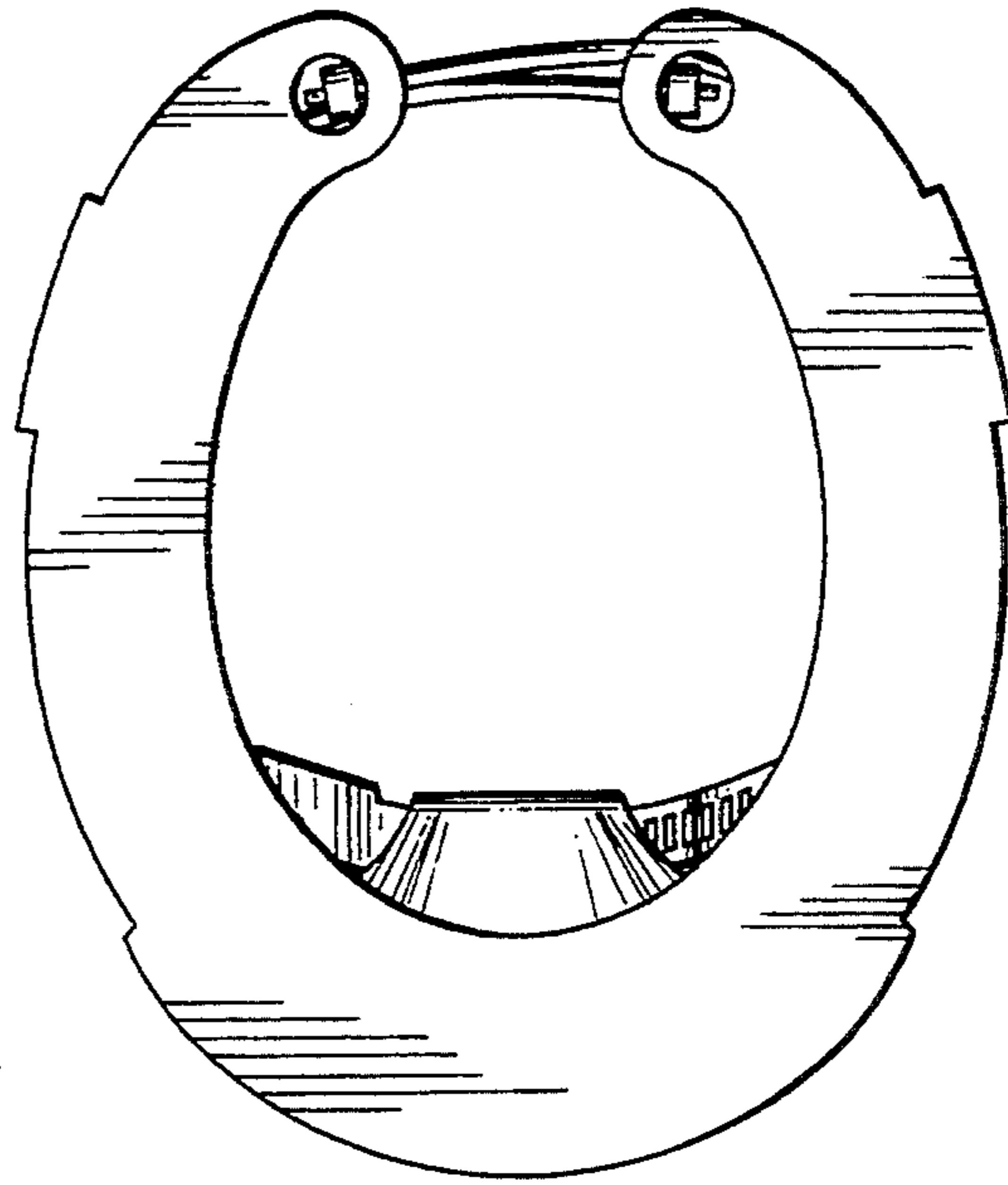
*Fig. 2.*



*Fig. 3.*



*Fig. 4.*



*Fig. 5.*