



US00D359593S

United States Patent [19] Schultz

[11] Patent Number: **Des. 359,593**

[45] Date of Patent: **** Jun. 20, 1995**

[54] **HAY BALE FEEDER FOR ANIMALS**

[76] Inventor: **Emmanuel Schultz**, Box 6937
Drayton Valley, Albert, Canada,
T0E 0M0

[**] Term: **14 Years**

[21] Appl. No.: **755**

[22] Filed: **Oct. 23, 1992**

[52] U.S. Cl. **D30/131**

[58] Field of Search 119/58-61;
D30/108-109, 113-114, 118, 161, 131

[56] **References Cited**

U.S. PATENT DOCUMENTS

| | | | |
|------------|---------|--------------|---------|
| 155,951 | 10/1874 | Hunter | 119/61 |
| D. 259,068 | 4/1981 | Barkman | D30/131 |
| D. 286,332 | 10/1986 | Christianson | D30/131 |
| 457,784 | 8/1891 | Lapham | 119/60 |
| 494,236 | 3/1893 | Wenger | 119/60 |
| 3,067,723 | 12/1962 | Norwood | 119/60 |
| 3,257,145 | 6/1966 | Case et al. | 119/60 |
| 3,890,933 | 6/1975 | Boehm | 119/60 |
| 4,258,663 | 3/1981 | Schoessow | 119/60 |
| 4,653,431 | 3/1987 | Owen | 119/61 |
| 4,784,085 | 11/1988 | Schoessow | 119/58 |

FOREIGN PATENT DOCUMENTS

| | | | |
|---------|---------|----------------|--------|
| 0222370 | 7/1959 | Australia | 119/58 |
| 2595201 | 9/1987 | France | 119/61 |
| 695460 | 8/1953 | United Kingdom | 119/61 |
| 1250771 | 10/1971 | United Kingdom | 119/60 |
| 1376109 | 12/1974 | United Kingdom | 119/59 |
| 2040661 | 9/1980 | United Kingdom | 119/58 |

OTHER PUBLICATIONS

Popular Mechanics; Feb. 1939; p. 302 item water/feeds trough.

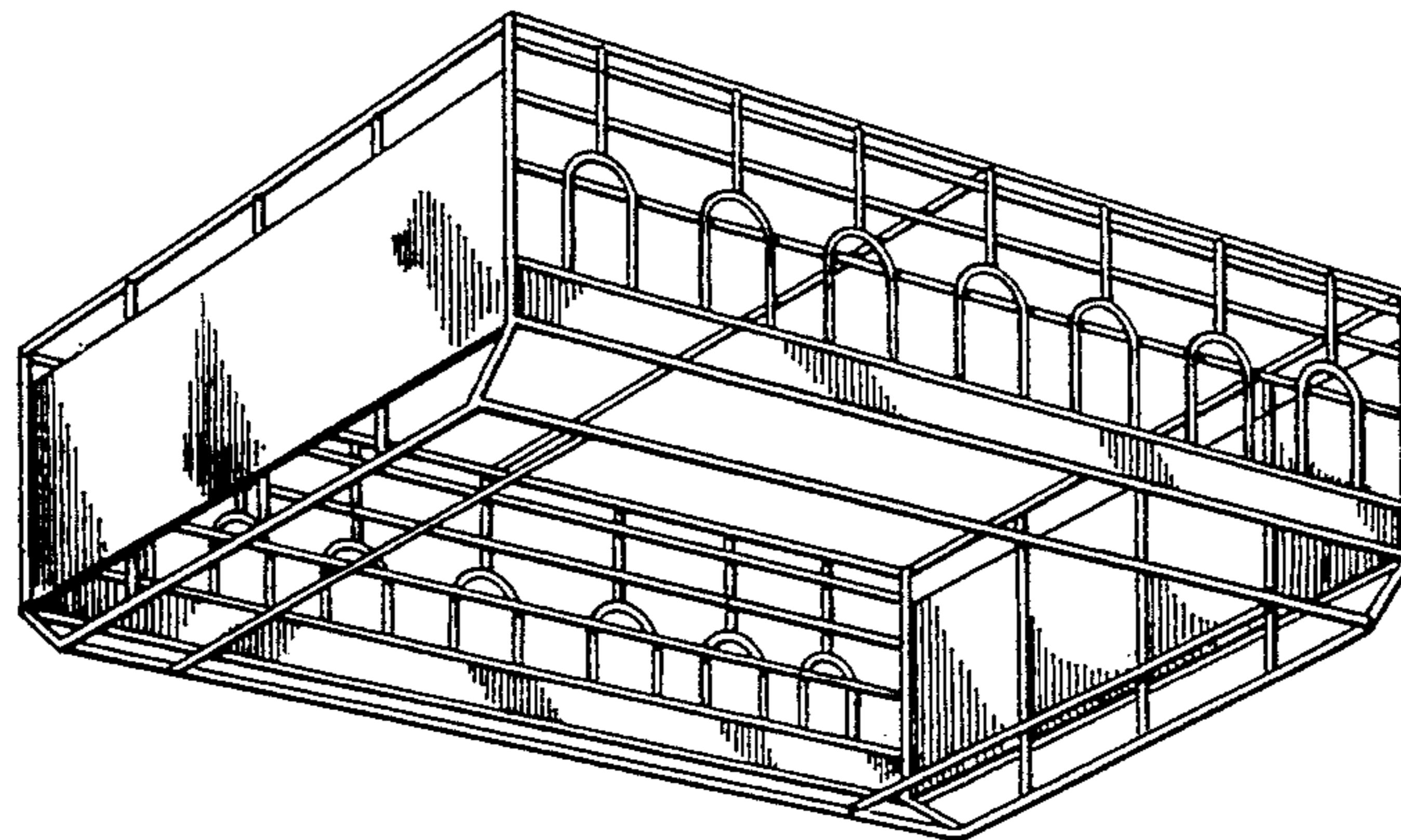
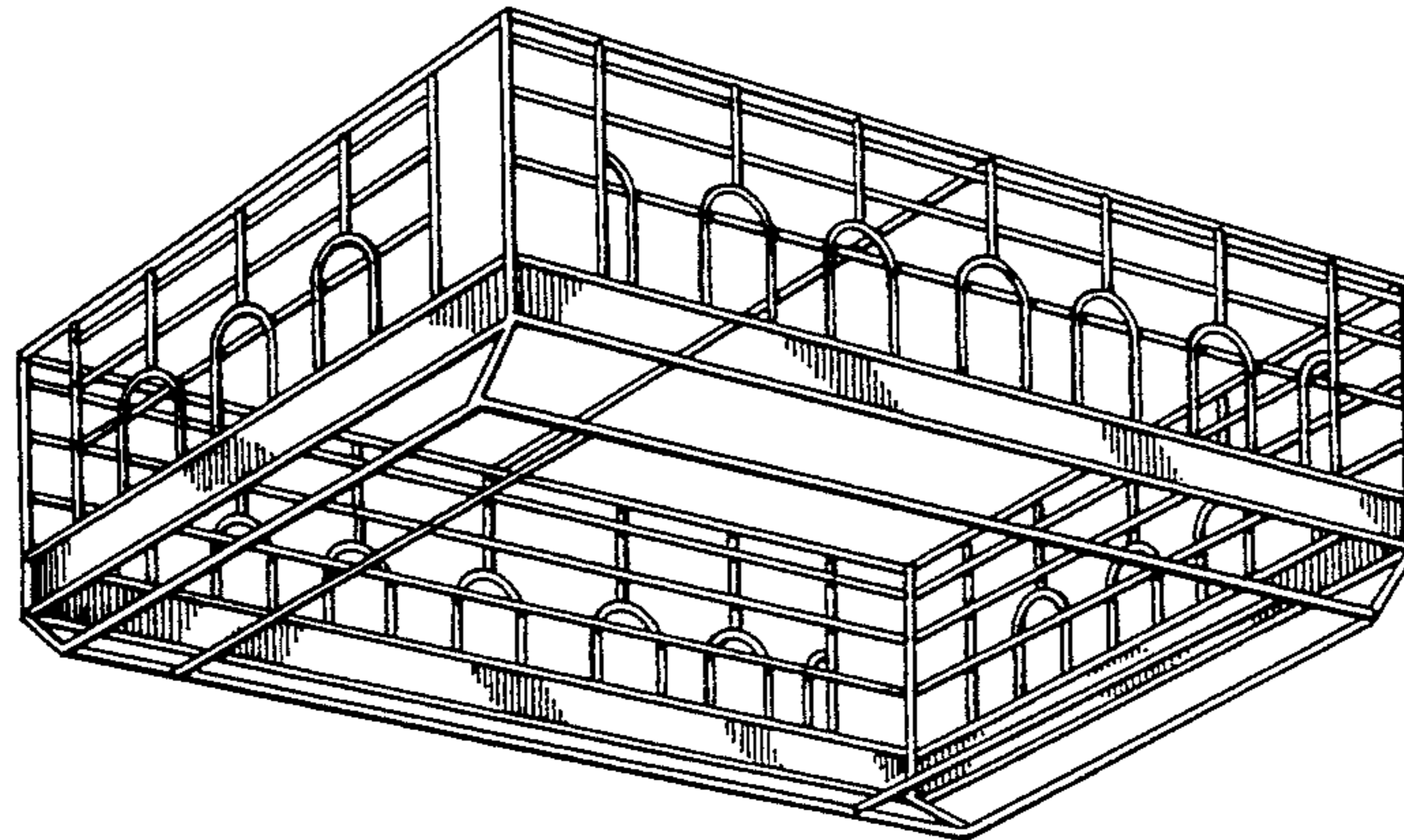
Primary Examiner—Cathy Anne MacCormac
Attorney, Agent, or Firm—George H. Dunsmuir

[57] **CLAIM**

The ornamental design for a hay bale feeder for animals, as shown and described.

DESCRIPTION

FIG. 1 is an end elevational view of a hale bale feeder for animals showing my new design, the opposite end is identical to the end shown;
 FIG. 2 is a top plan view thereof;
 FIG. 3 is a side elevational view thereof, the opposite side is identical to the side shown;
 FIG. 4 is a bottom perspective view thereof;
 FIG. 5 is an end elevational view of a second embodiment as FIG. 1, the opposite end is identical to the end shown; and,
 FIG. 6 is a top plan view thereof.



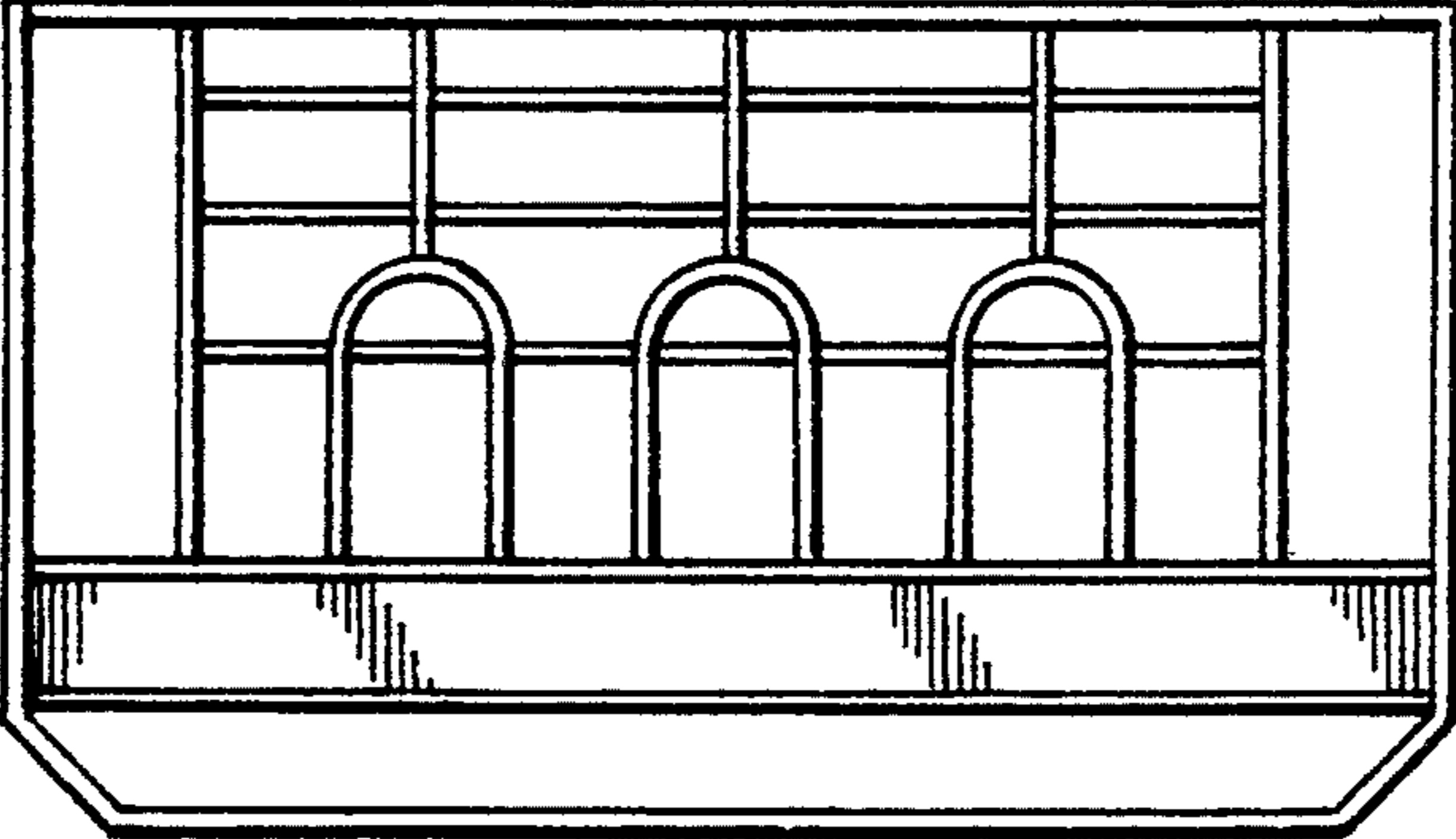


FIG. 1

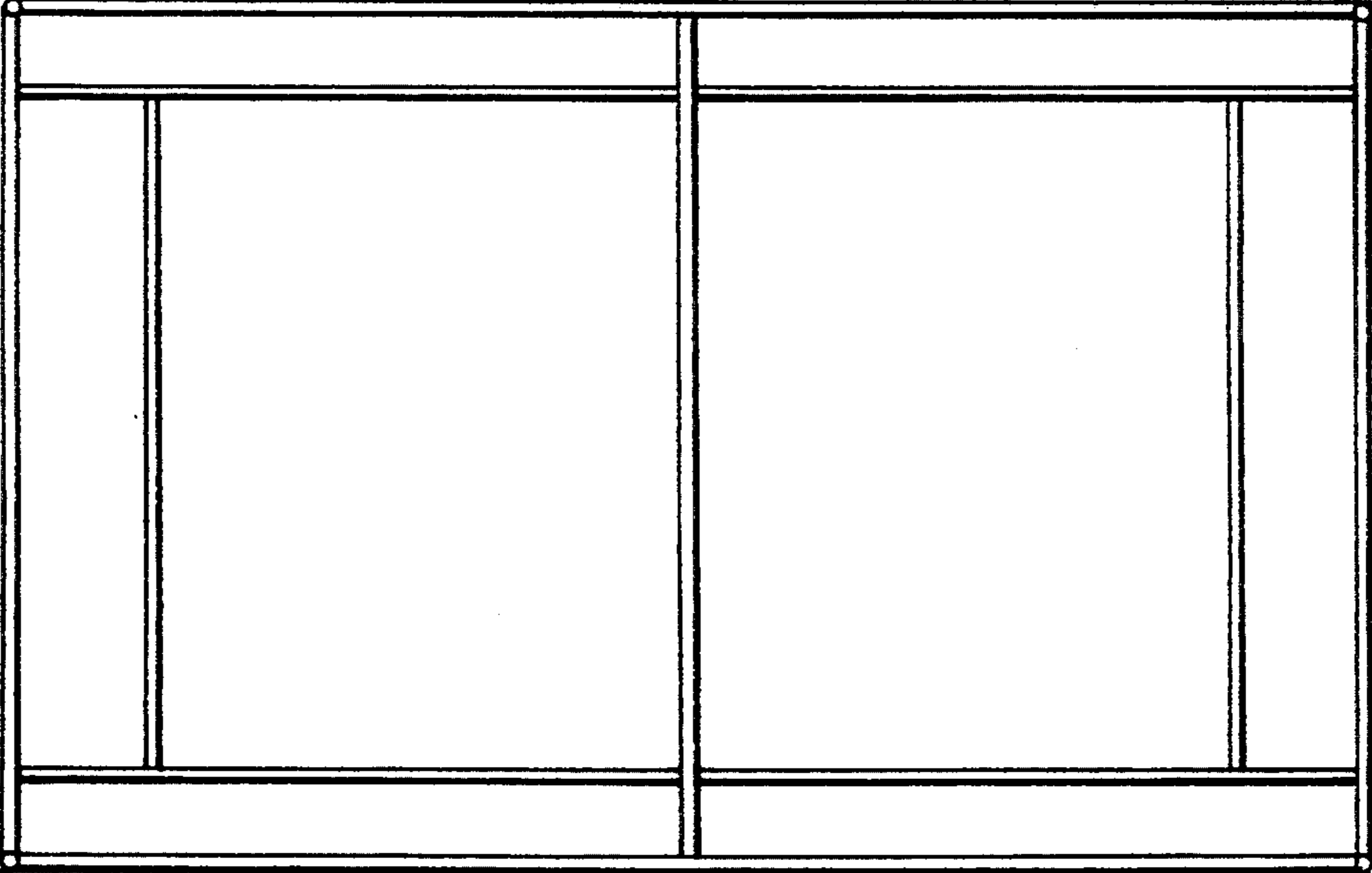


FIG. 2

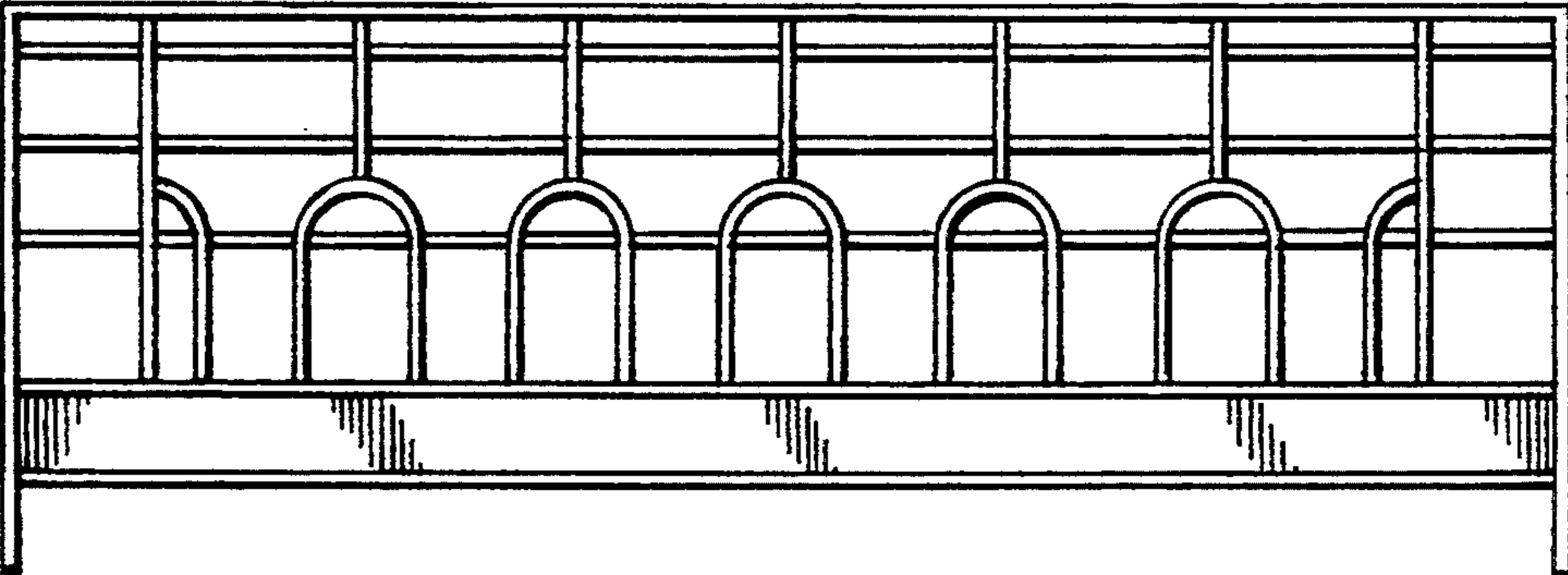


FIG. 3

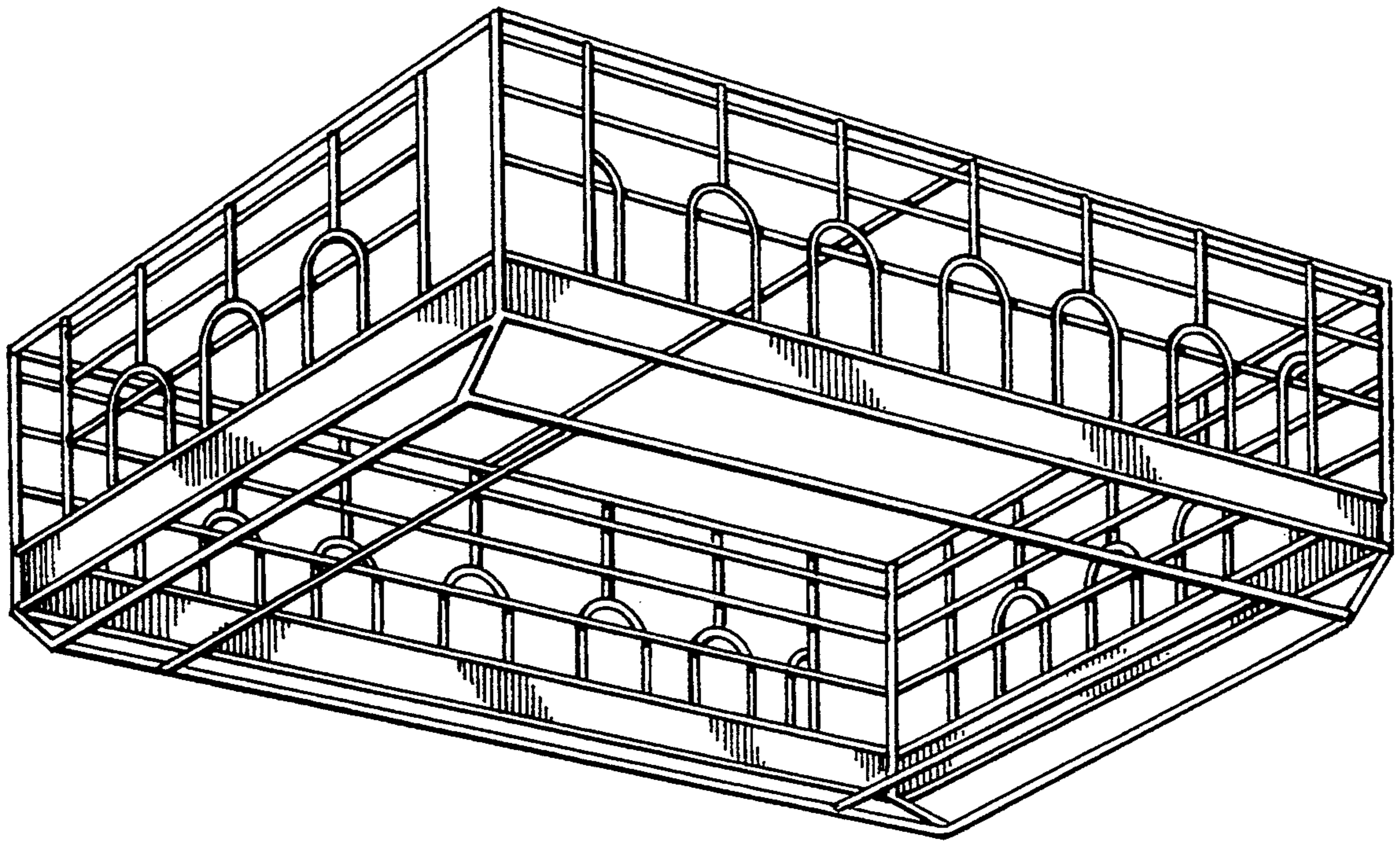


FIG. 4

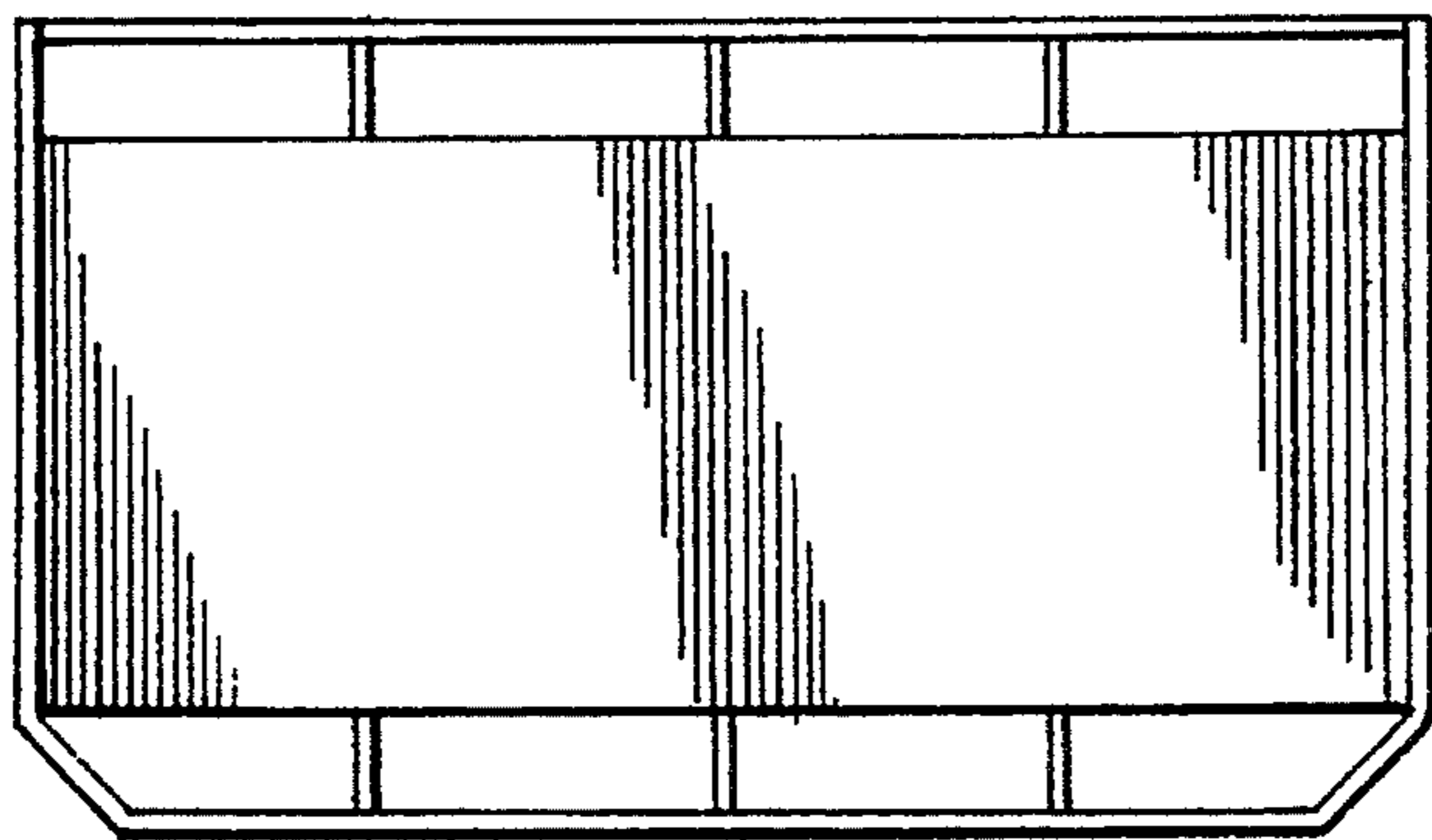


FIG. 5

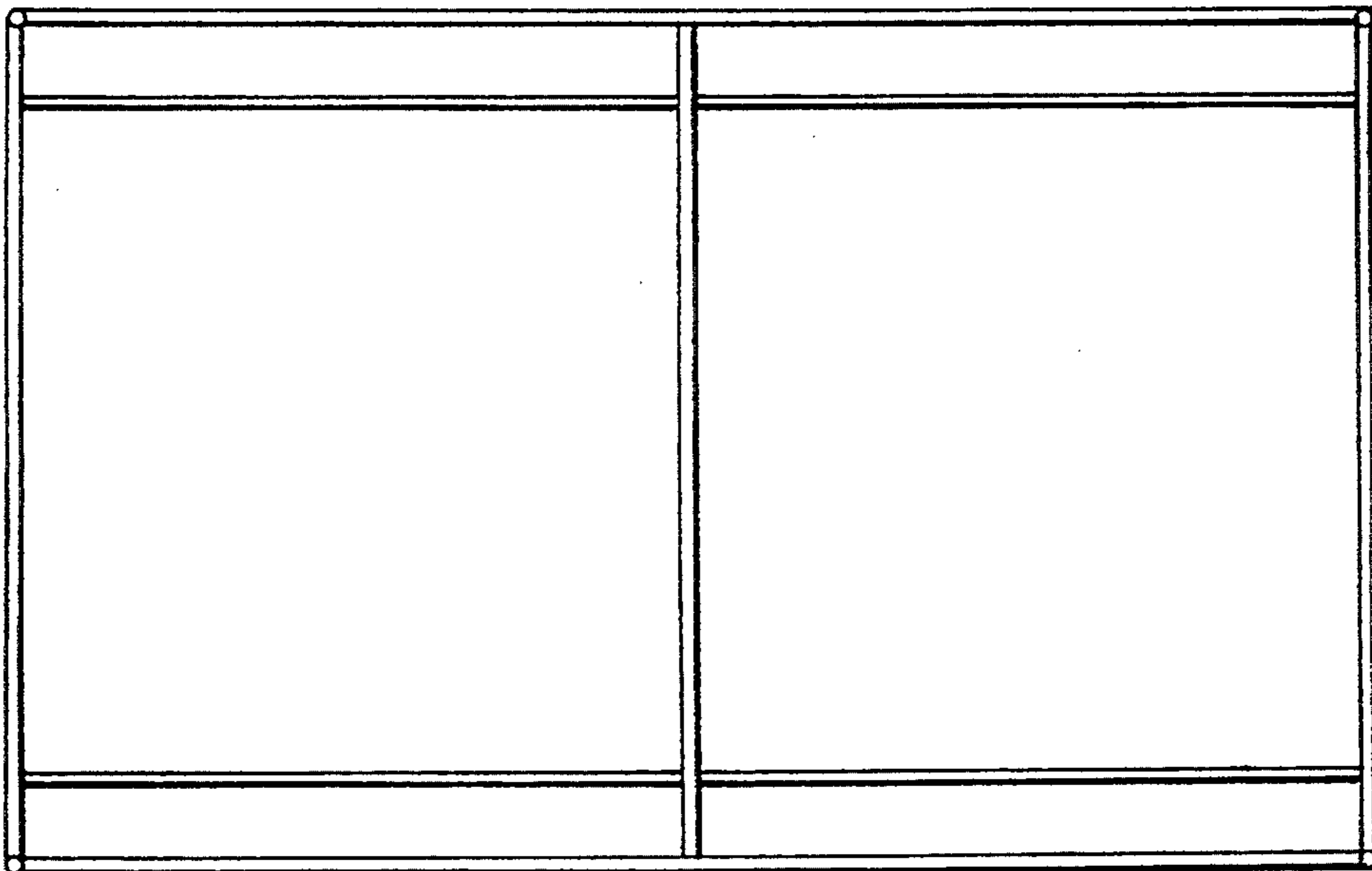


FIG. 6

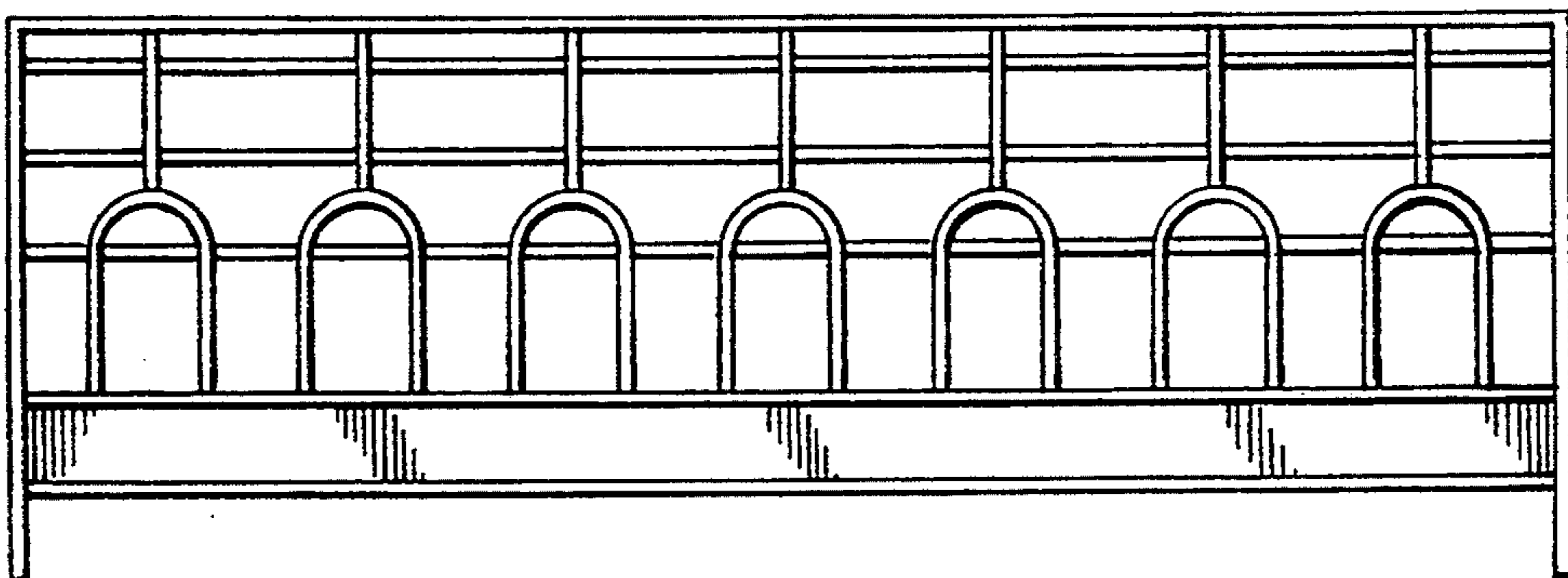


FIG. 7

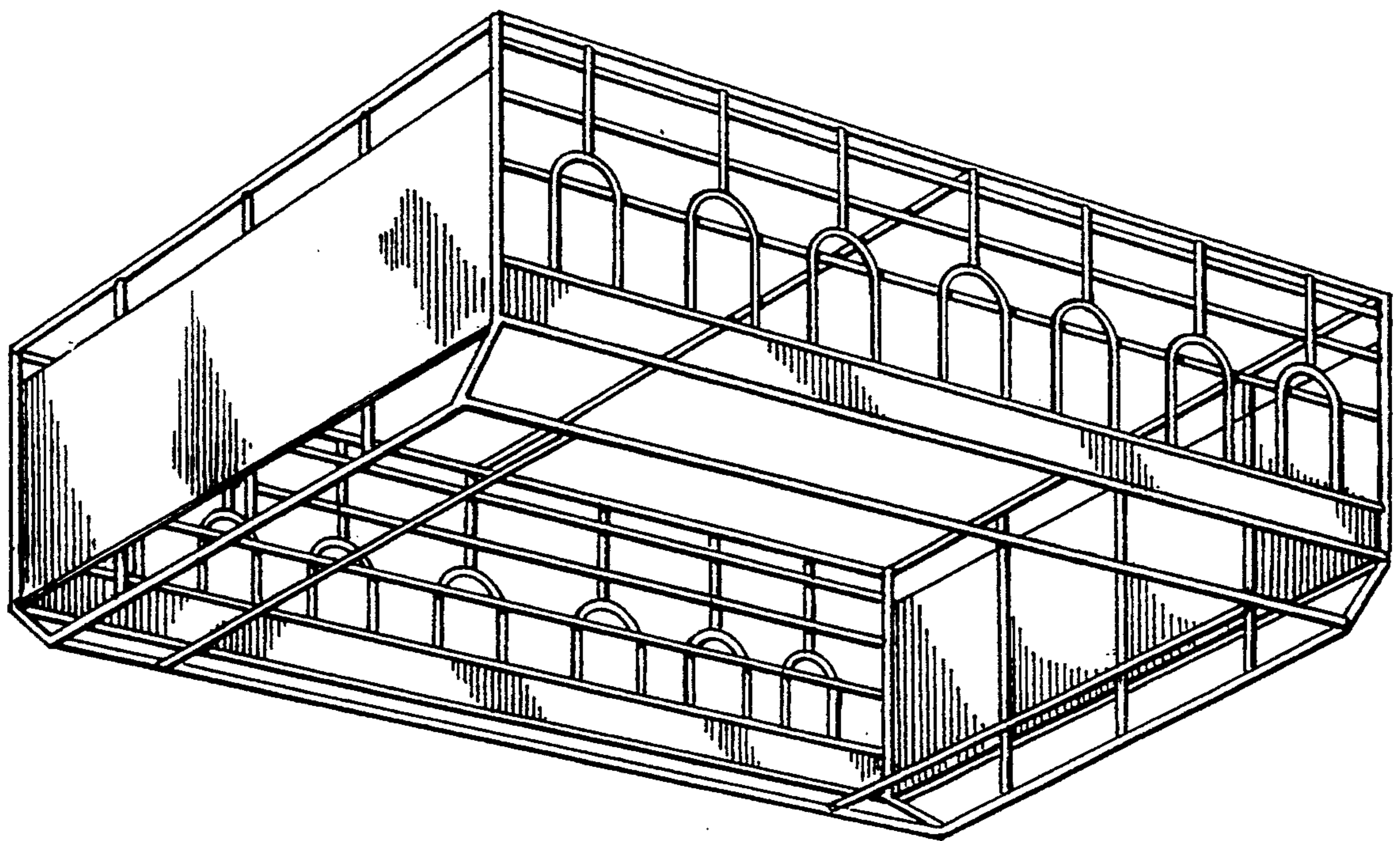


FIG. 8