



US00D359592S

United States Patent [19]

[11] Patent Number: **Des. 359,592**

Fenton et al.

[45] Date of Patent: **** Jun. 20, 1995**

[54] **BIRD FEEDER**

[75] Inventors: **Timothy J. Fenton; Christopher Thorp**, both of Wooster, Ohio

[73] Assignee: **Rubbermaid Specialty Products Inc.**, Wooster, Ohio

[**] Term: **14 Years**

[21] Appl. No.: **25,376**

[22] Filed: **Jun. 30, 1994**

[52] U.S. Cl. **D30/124**

[58] Field of Search **D30/110-111, D30/124-128; 119/23, 57.8-57.9, 52.2-52.3, 51.01, 51.04, 77, 57.91**

[56] **References Cited**

U.S. PATENT DOCUMENTS

D. 234,521	3/1975	Fry	D30/126
D. 234,522	3/1975	Fry	D30/126
D. 234,703	4/1975	Fry	D30/126
D. 273,429	4/1984	Kilham	D30/128
D. 274,563	7/1984	Blasbalg	D30/128
D. 278,168	3/1985	Latham et al.	D30/127
D. 278,559	4/1985	Latham et al.	D30/127
D. 290,414	6/1987	Gerber	D30/128
D. 290,769	7/1987	Taylor	D30/124
D. 297,272	8/1988	Tucker et al.	D30/126
D. 320,097	9/1991	Vajtay	D30/127
D. 326,003	5/1992	Embree	D30/128
D. 328,370	7/1992	Embree	D30/124
D. 328,655	8/1992	Embree	D30/124
D. 329,722	9/1992	Embree	D30/124
D. 331,647	12/1992	Embree	D30/124
D. 335,006	4/1993	Blasbalg	D30/127
D. 347,714	6/1994	Maple et al.	D30/128
2,591,126	4/1952	Breck, Jr.	199/52
2,789,534	4/1957	Landgraf	119/52

2,987,041	6/1961	Bard	119/52
3,568,641	3/1971	Killiam	119/51
3,977,363	8/1976	Fisher, Jr.	D30/128
4,201,155	5/1980	Hyde, Jr.	119/57.8
4,327,669	5/1982	Blasbalg	119/51
4,498,423	2/1985	Gainsboro et al.	119/57.8
4,829,934	5/1989	Blasbalg	119/57.8

FOREIGN PATENT DOCUMENTS

2815211	10/1979	Germany	.
3320833	12/1984	United Kingdom	.

OTHER PUBLICATIONS

Pp. 6 and 8, Bird Feeders; Duncraft, Penacook, N.H. 03303. Publication date 1984.

P. 10, Bird feeders; Duncraft, Penacook, N.H. 03303. Publication date 1980.

Catalog page, Perch bird feeders; Rubbermaid Incorporated, Specialty Products Division, 1147 Akron Road, Wooster, Ohio 44691. Publication date Feb., 1989.

Primary Examiner—Cathy Anne MacCormac
Attorney, Agent, or Firm—Richard B. O'Planick; Lisa B. Riedesel

[57] **CLAIM**

The ornamental design for a bird feeder, as shown and described.

DESCRIPTION

FIG. 1 is a top right front perspective view of a bird feeder showing our new design; FIG. 2 is a right side view thereof; the left side elevational view being a mirror image; FIG. 3 is a top plan view thereof; FIG. 4 is a front elevational view thereof; the rear elevational view being a mirror image; and, FIG. 5 is a bottom plan view thereof.

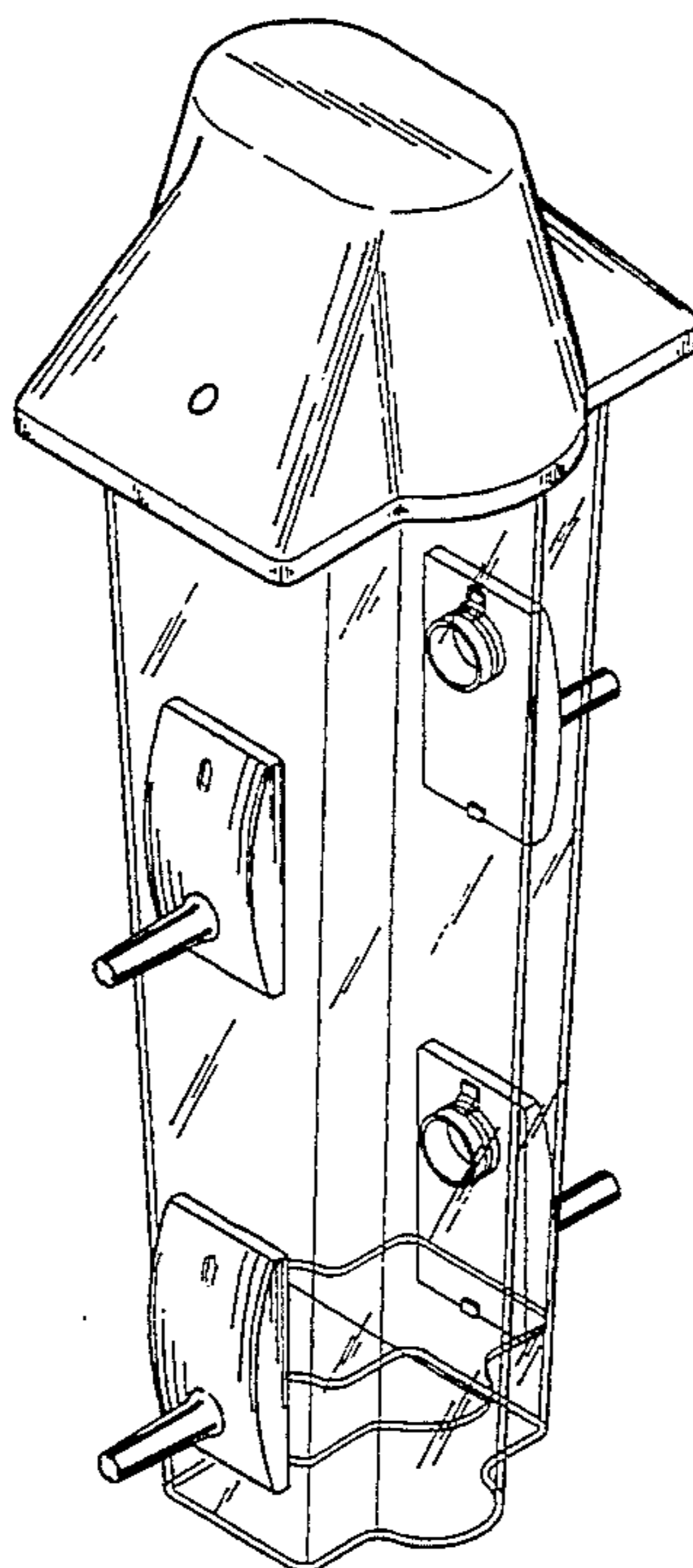


FIG. 1

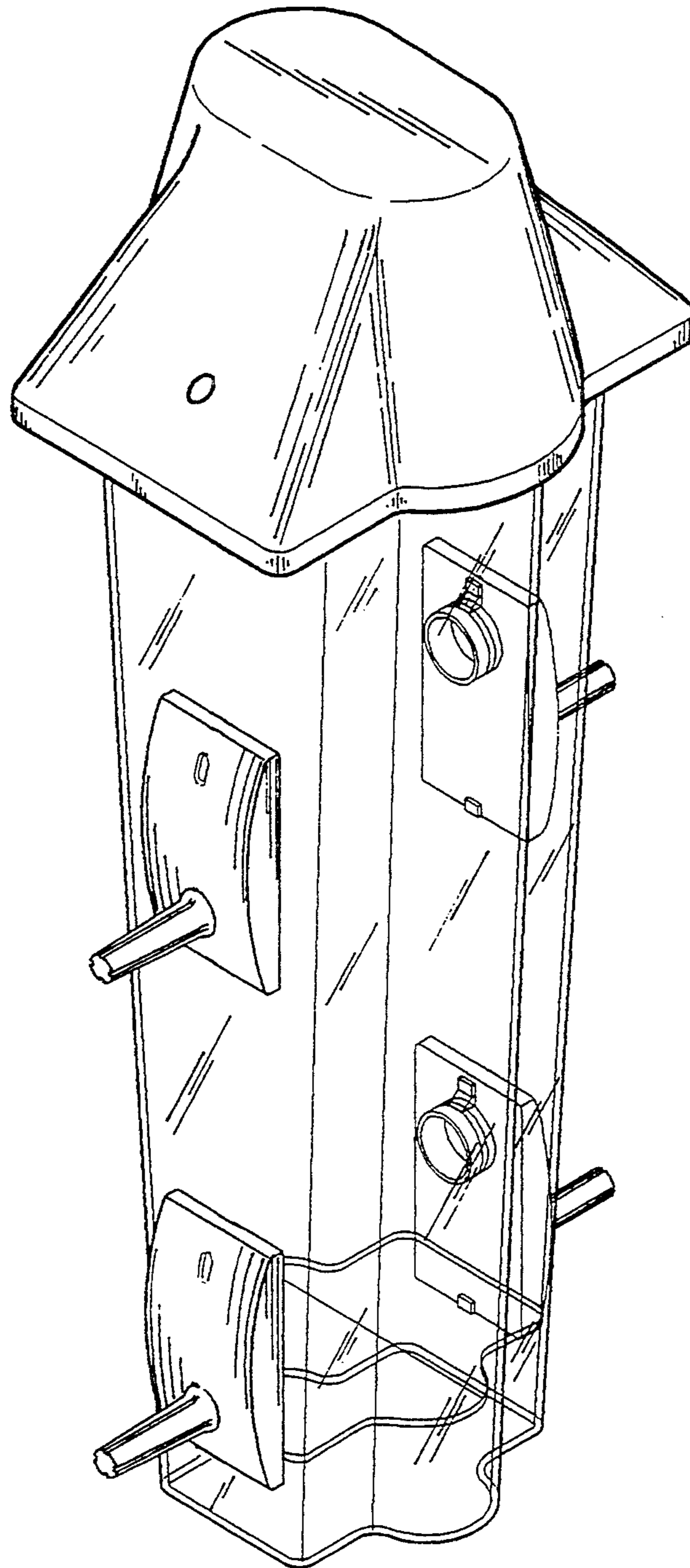


FIG. 3

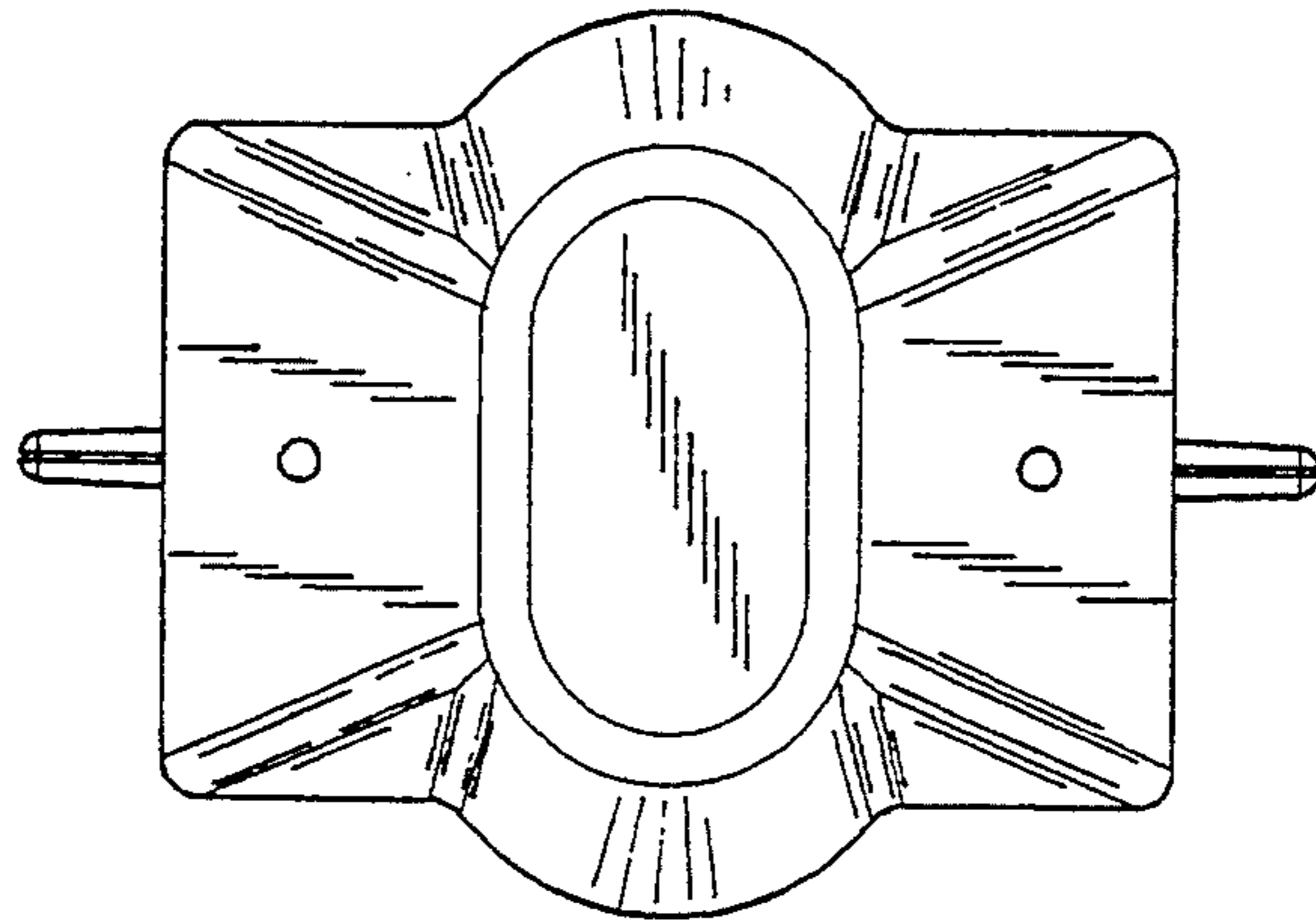


FIG. 2

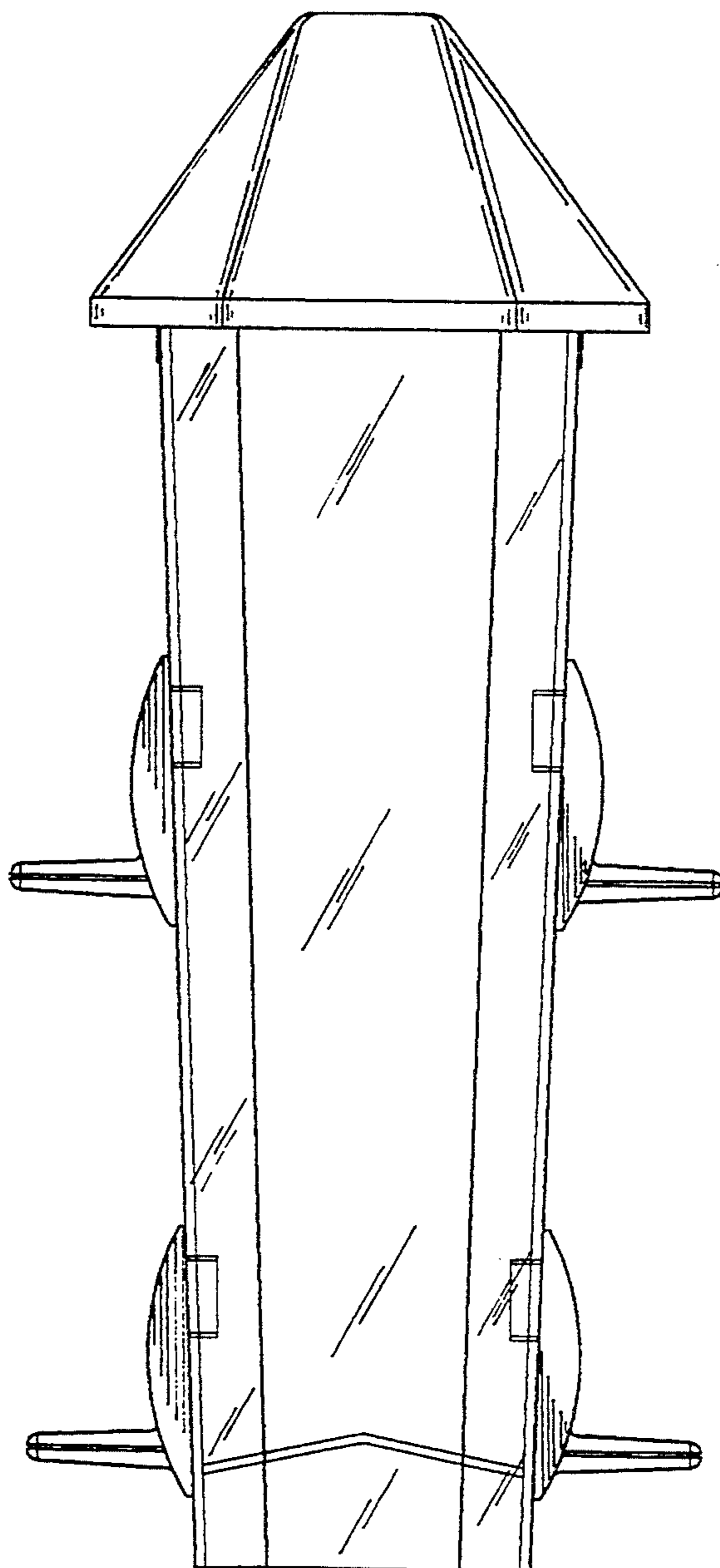


FIG. 5

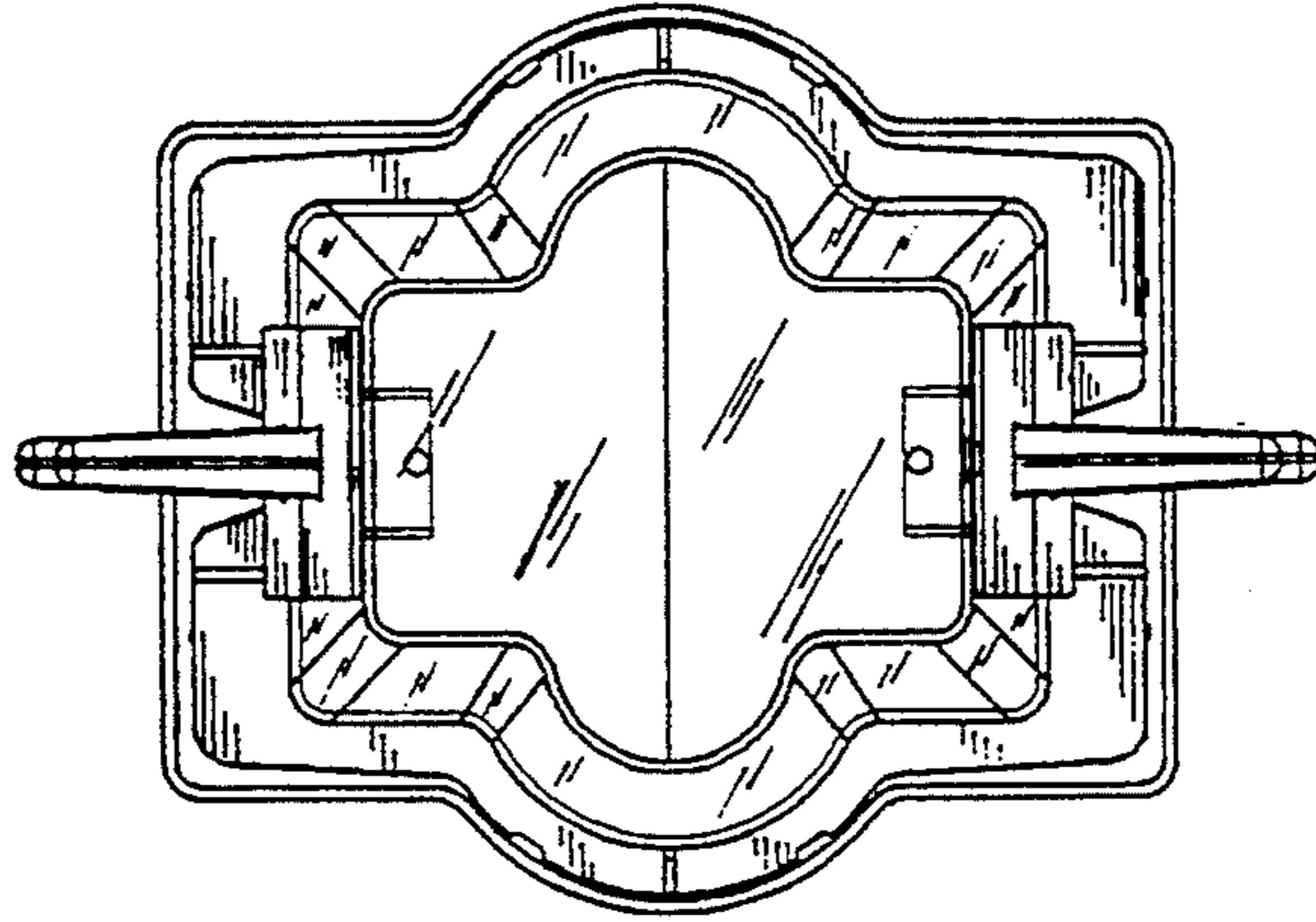


FIG. 4

