



US00D359591S

United States Patent [19]

[11] Patent Number: **Des. 359,591**

Jurius

[45] Date of Patent: **** Jun. 20, 1995**

[54] **COMBINED ADAPTER AND DISPENSER FOR A BIRD FEEDER**

5,140,945 8/1992 Barnhart et al. 119/52.2
5,353,742 10/1994 Mauritz 119/77

[76] Inventor: **Algirdas Jurius**, 62 Gorham St.,
Chelmsford, Mass. 01824

FOREIGN PATENT DOCUMENTS

149784 1/1953 Australia 119/52.2

[**] Term: **14 Years**

Primary Examiner—Cathy Anne MacCormac
Attorney, Agent, or Firm—Linda M. Buckley; Kevin J. Fournier

[21] Appl. No.: **24,396**

[22] Filed: **Jun. 14, 1994**

[52] U.S. Cl. **D30/124**

[57] CLAIM

[58] Field of Search D30/110-111,
D30/124-128; 119/23, 57.8-57.9, 52.2-52.3,
51.04, 51.01, 77, 57.91

The ornamental design for a combined adapter and dispenser for a bird feeder, as shown and described.

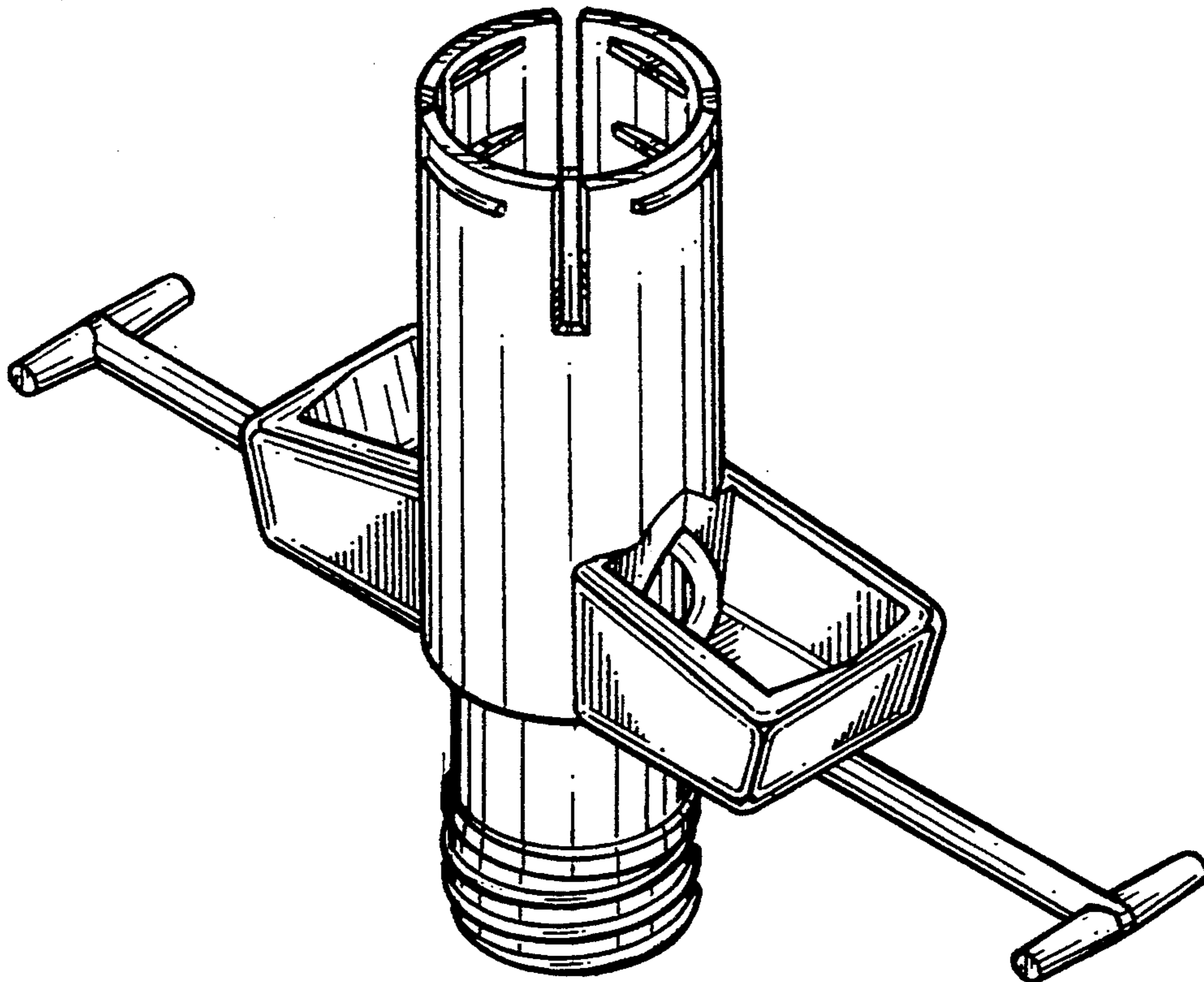
DESCRIPTION

[56] References Cited

U.S. PATENT DOCUMENTS

D. 281,026	10/1985	Burke et al.	D30/128
D. 289,451	4/1987	Earl	D30/124
D. 335,005	4/1993	Fasino	D30/126
4,242,984	1/1981	Smith	119/52.2
4,570,575	2/1986	Hinz	D30/128
4,889,078	12/1989	Shirley	D30/128

FIG. 1 is a perspective view of a combined adapter and dispenser for a bird feeder embodying my new design; FIG. 2 is a top view thereof; FIG. 3 is a side view thereof, the opposite side is identical; FIG. 4 is a bottom view thereof; and, FIG. 5 is an end view thereof, the opposite end is identical.



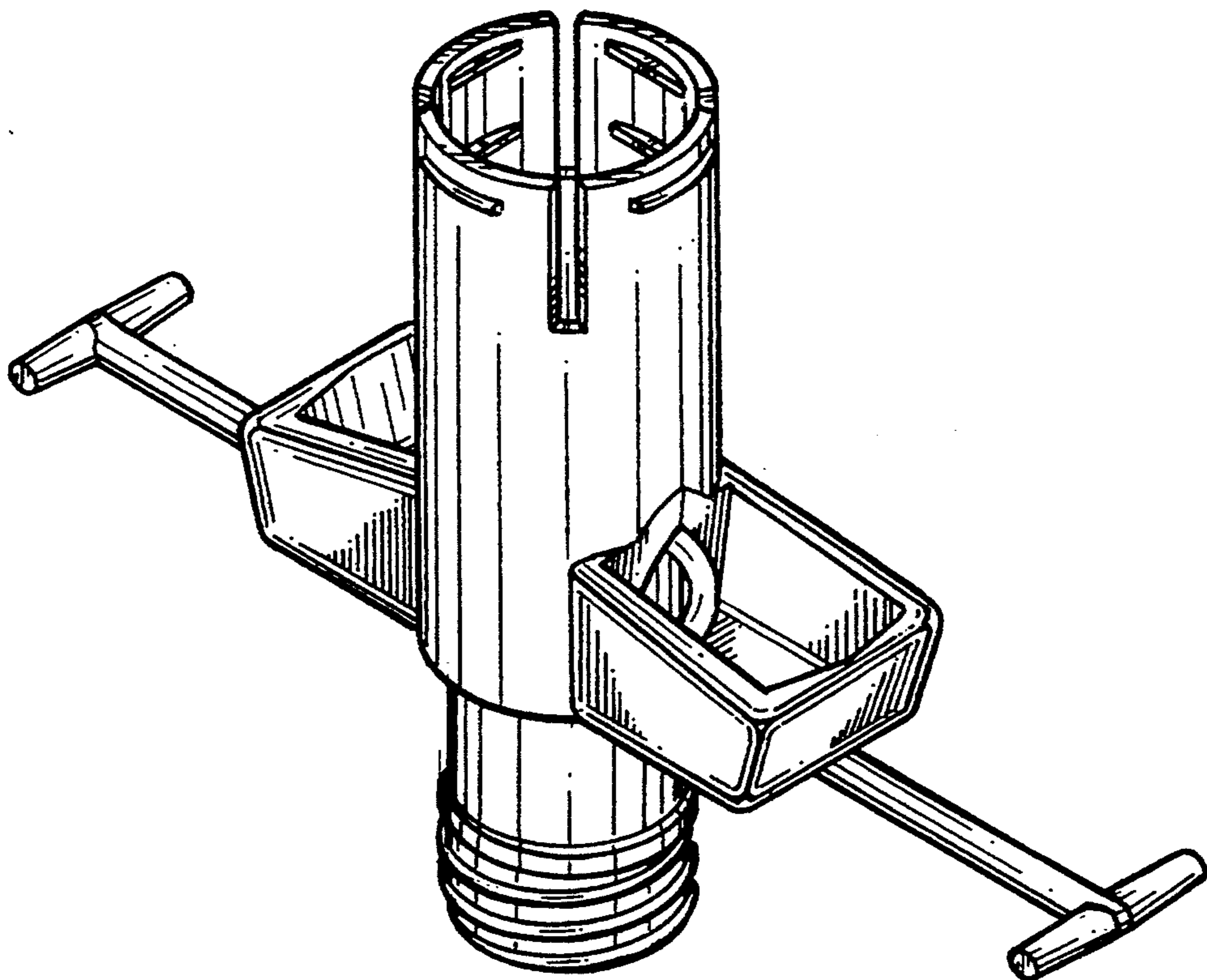


FIG. 1

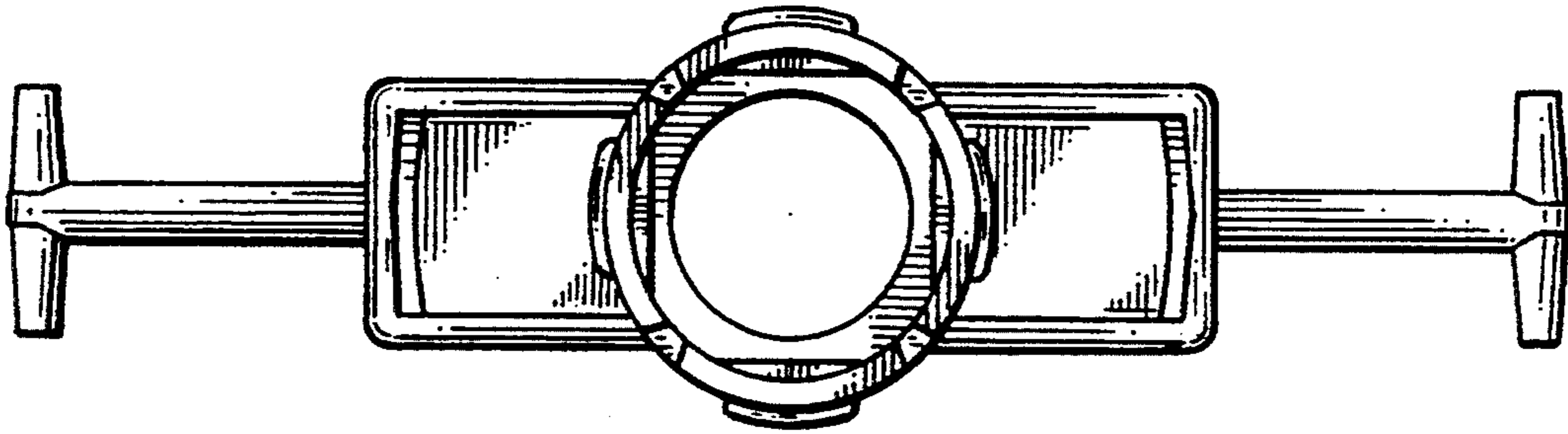


FIG. 2

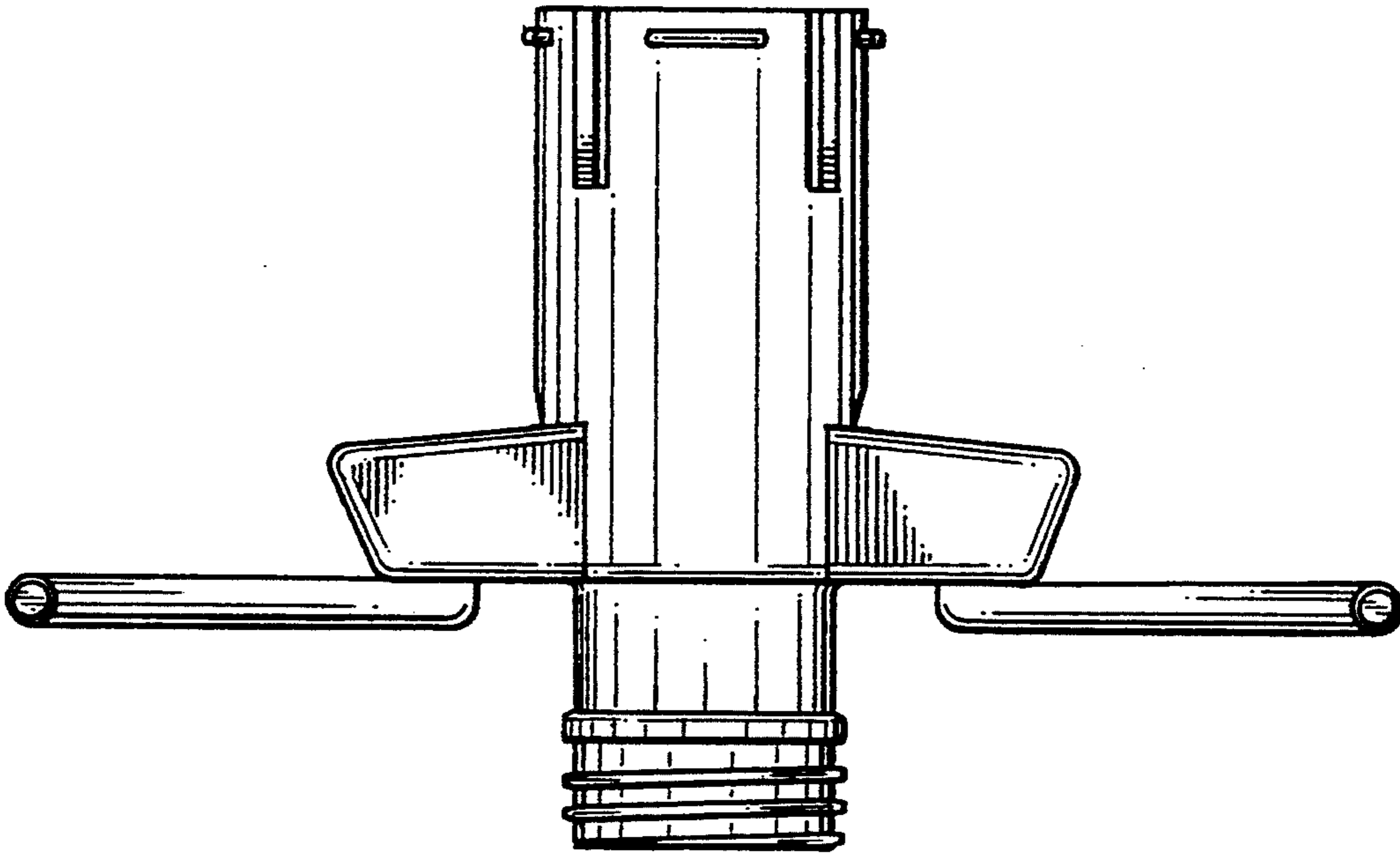


FIG. 3

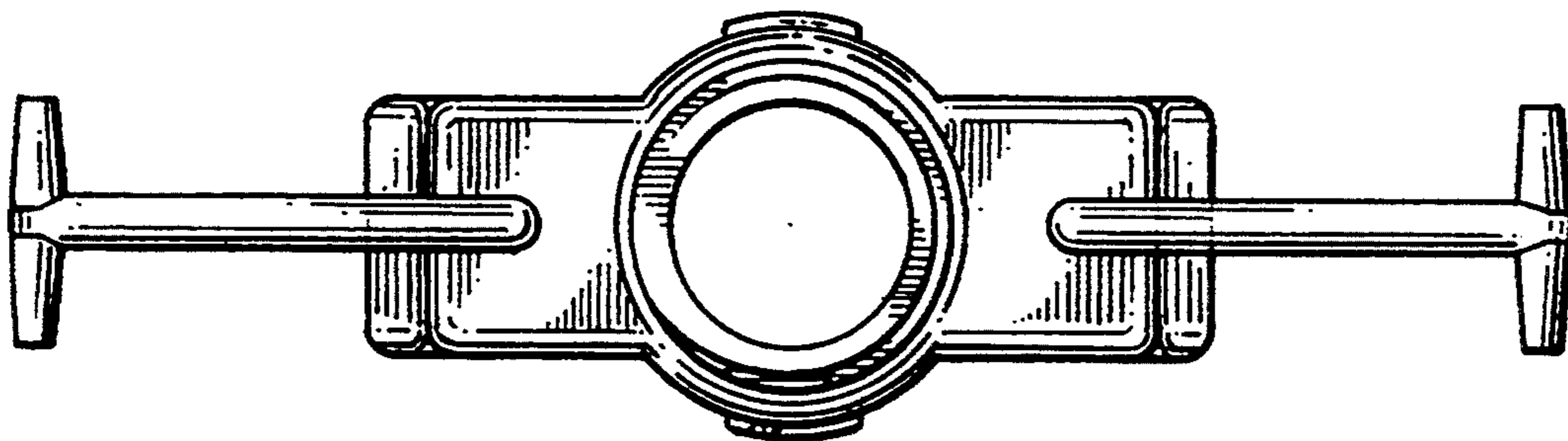


FIG. 4

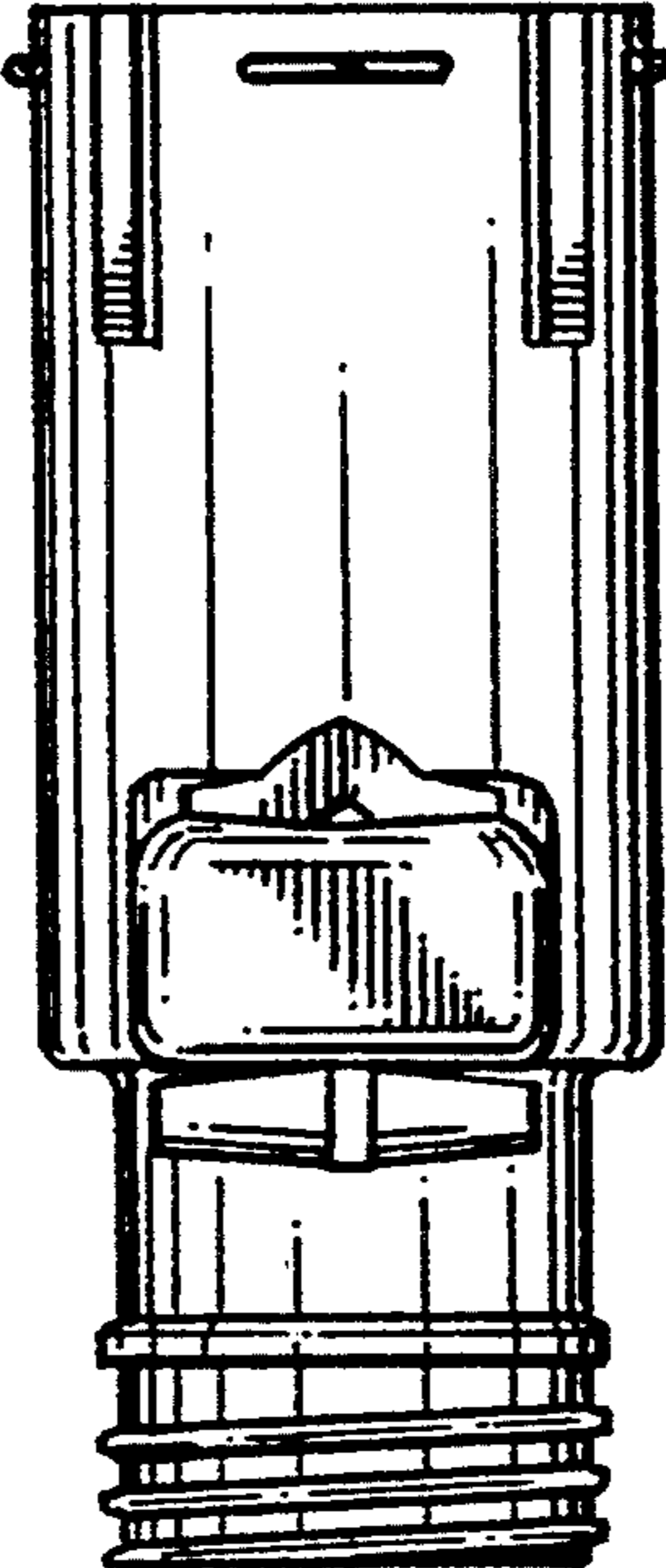


FIG. 5