



US00D359579S

United States Patent [19]

[11] Patent Number: **Des. 359,579**

Mattis

[45] Date of Patent: **** Jun. 20, 1995**

[54] HAIR DRYER

[75] Inventor: **Hans-Werner Mattis, Darmstadt, Germany**

[73] Assignee: **Wella Aktiengesellschaft, Darmstadt, Germany**

[**] Term: **14 Years**

[21] Appl. No.: **18,308**

[22] Filed: **Feb. 3, 1994**

[30] Foreign Application Priority Data

Aug. 6, 1993 [DE]	Germany	M 93 06 104.8
[52] U.S. Cl.		D28/13
[58] Field of Search		D28/13-18; 34/96-101; 392/384, 385

[56] References Cited

U.S. PATENT DOCUMENTS

D. 274,153	6/1984	Nagelkerke	D28/13
D. 277,789	2/1985	Pajak	D28/13
D. 317,062	5/1991	Takahashi	D28/13
D. 343,698	1/1994	Sharples	D28/13
D. 350,217	8/1994	Rizzuto, Jr.	D28/13

FOREIGN PATENT DOCUMENTS

5076412	3/1993	Japan	392/385
8908414	9/1989	WIPO	392/385

OTHER PUBLICATIONS

"Merchandising Week" Feb. 15, 1974; p. 69; upper right: Turbo Dryer C-1300.
 "Modern Salon", Mar. 1987; p. 150-Hair Dryer Nos. 1700 and 2200 (arrows).
 "Modern Salon" May 1987; p. 108, top left of page-item No. 1.
 Best 1991-1992 Catalog; p. 254; Conair Dryer on upper left.

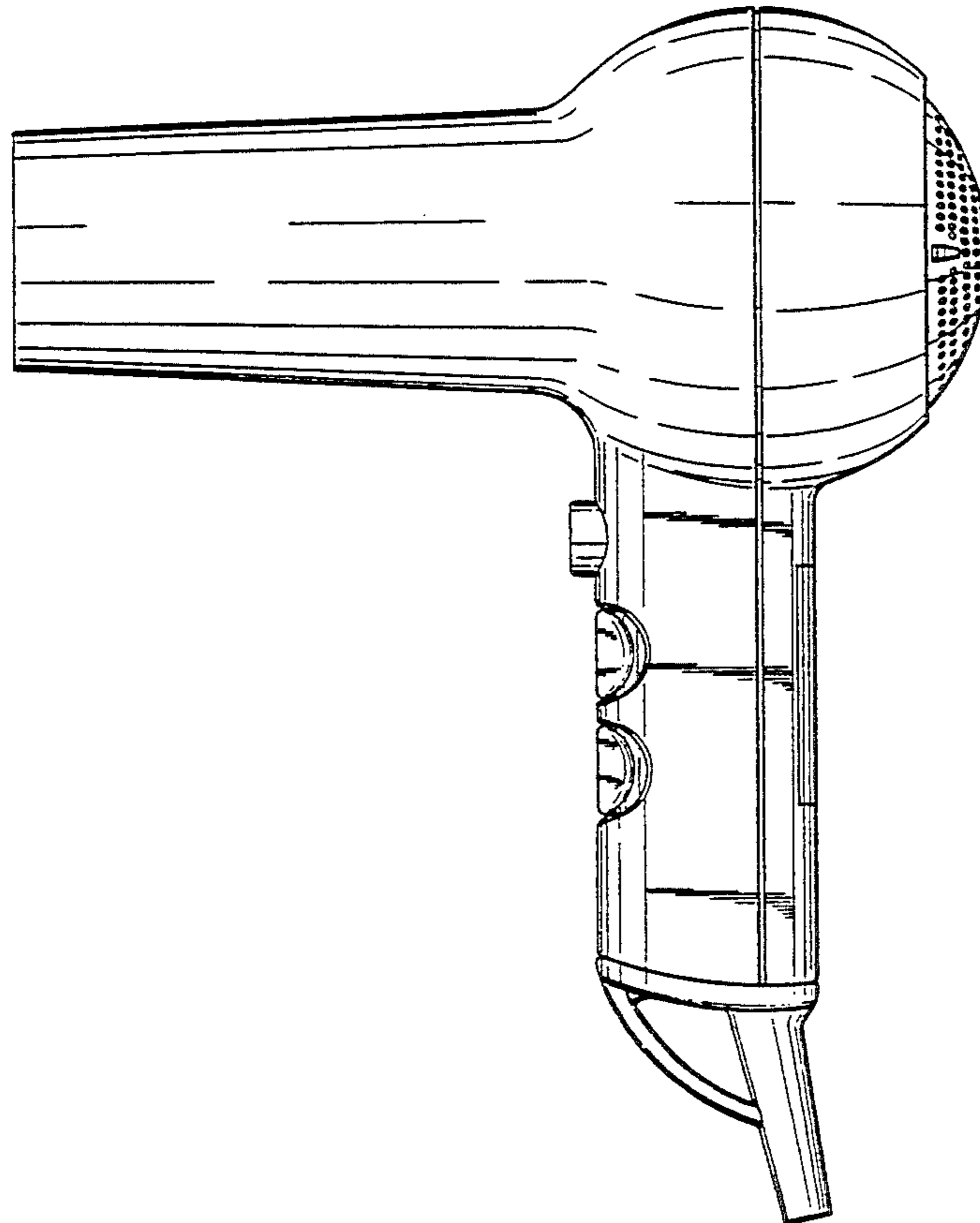
Primary Examiner—Terry A. Wallace
Assistant Examiner—C. Tuttle
Attorney, Agent, or Firm—Michael J. Striker

[57] CLAIM

The ornamental design for a hair dryer, as shown and described.

DESCRIPTION

FIG. 1 is a perspective view of my new design;
 FIG. 2 is a side elevational view thereof which is a mirror image of the opposite side thereof;
 FIG. 3 is a front elevational view thereof;
 FIG. 4 is a rear elevational view thereof;
 FIG. 5 is a top plan view thereof; and,
 FIG. 6 is a bottom plan view thereof.



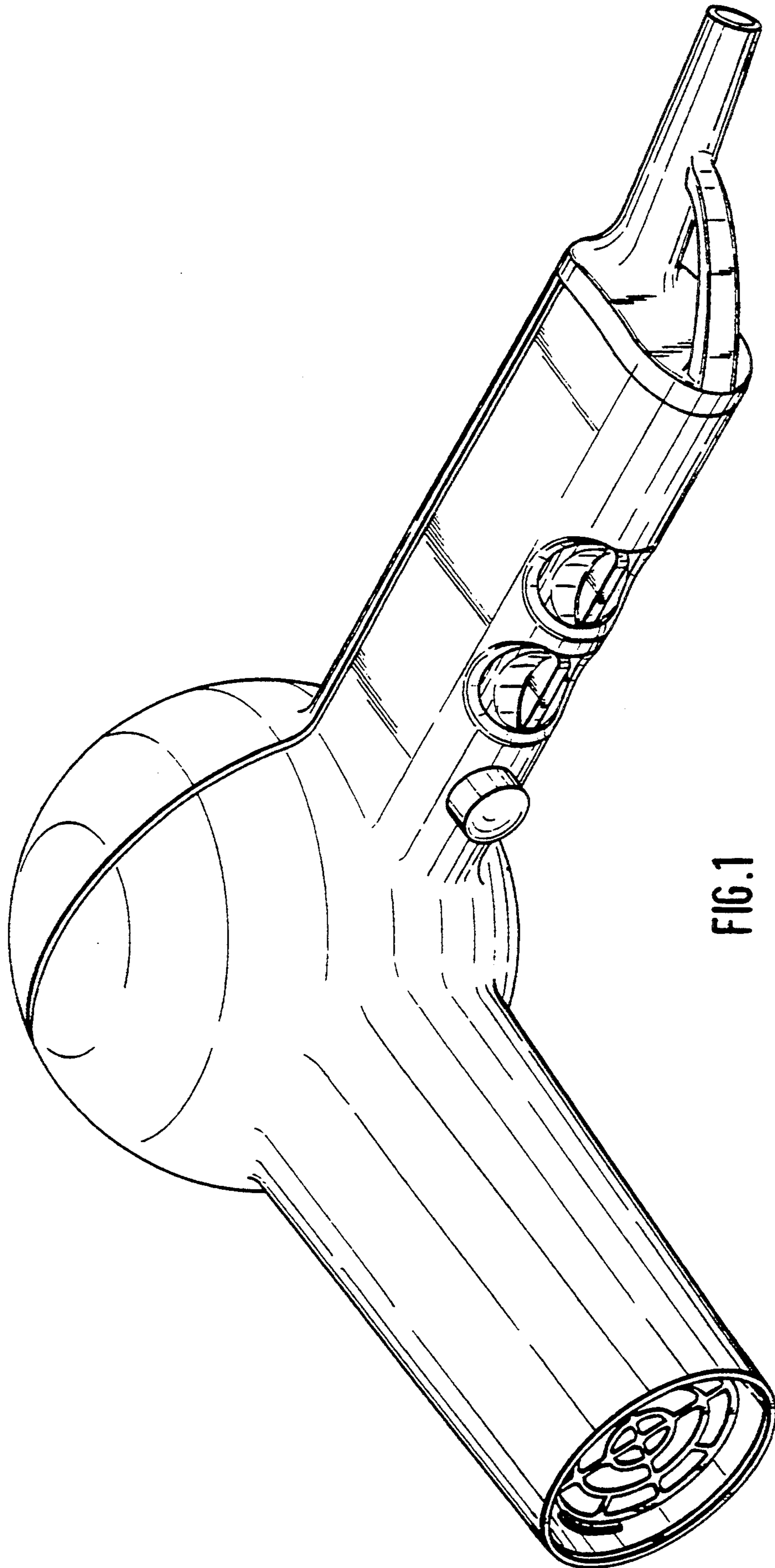


FIG. 1

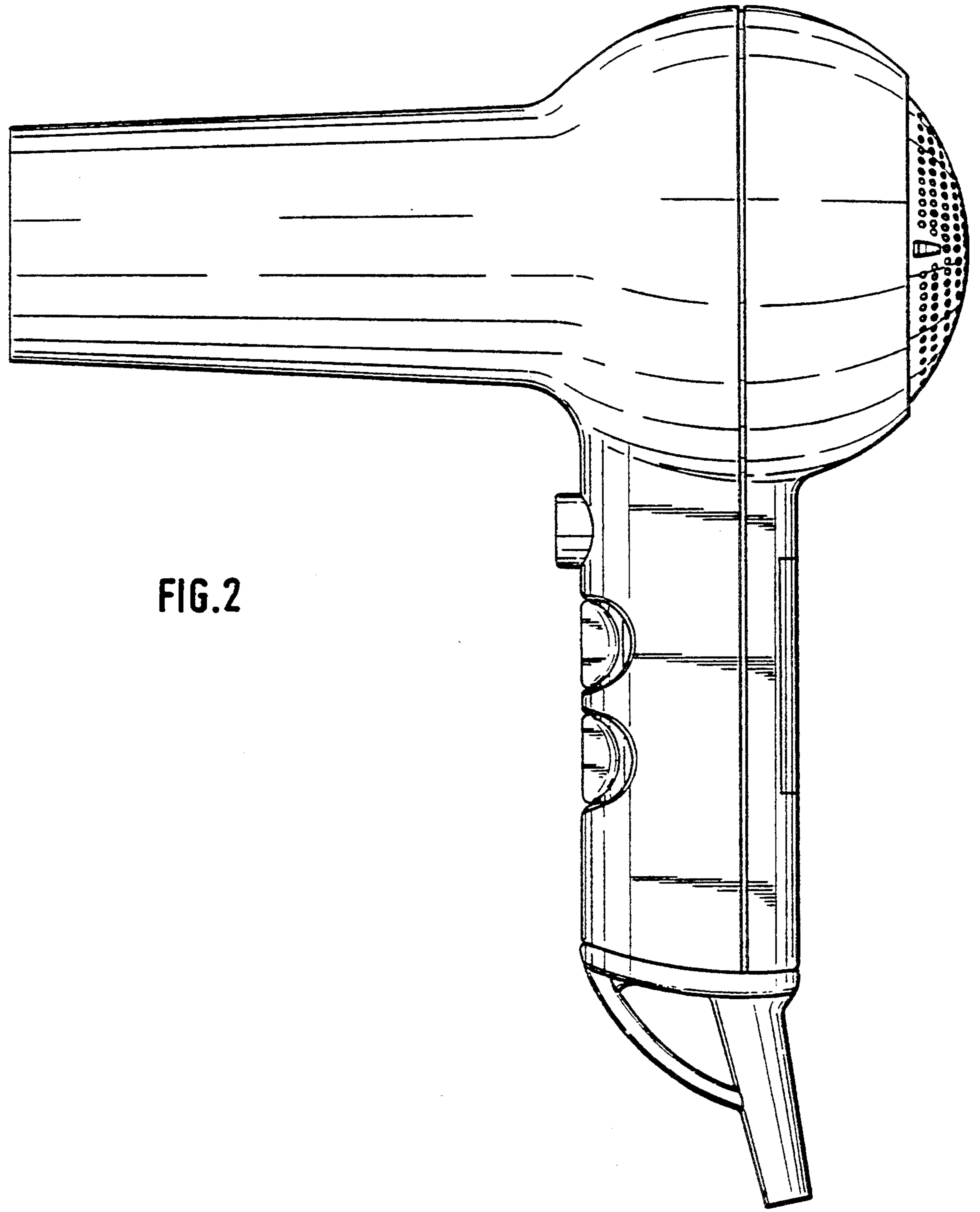
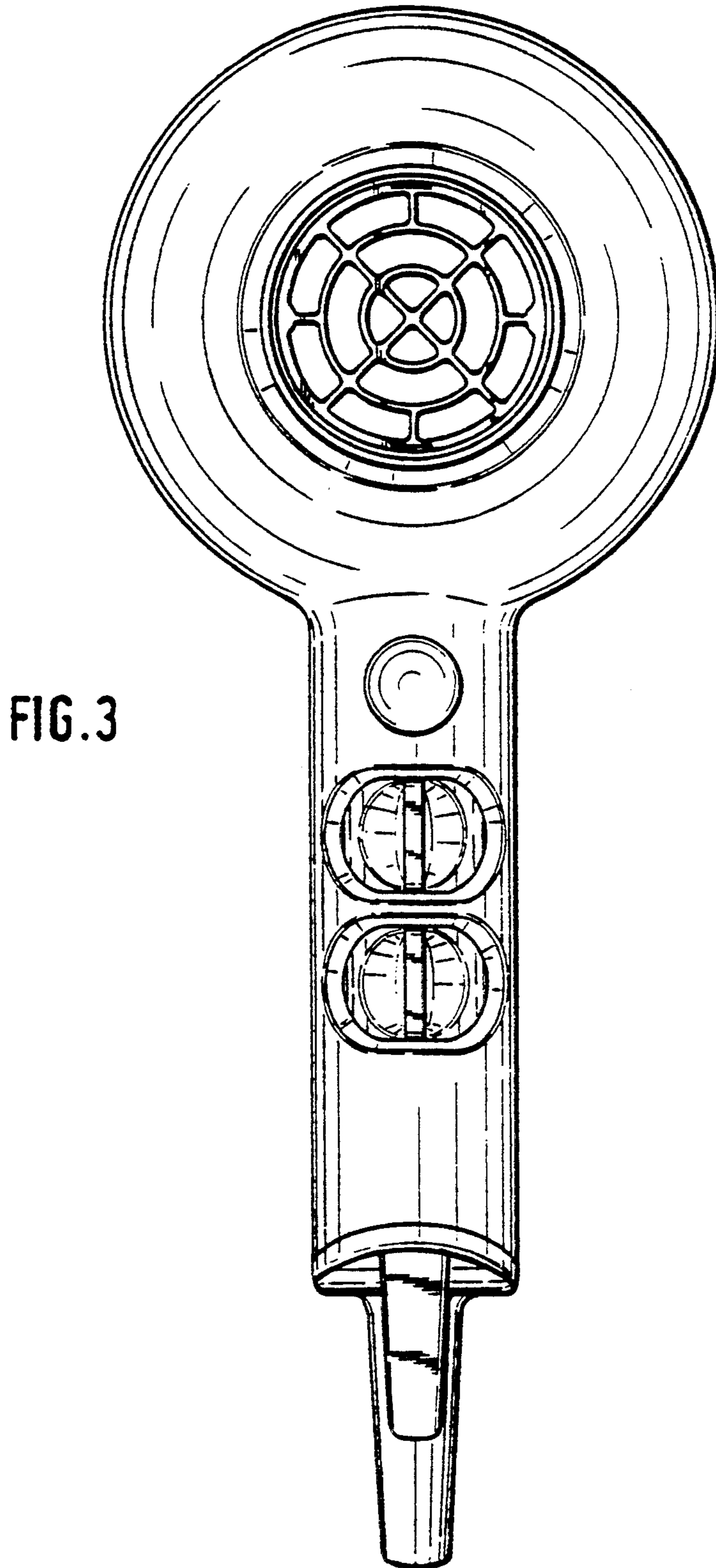


FIG. 2



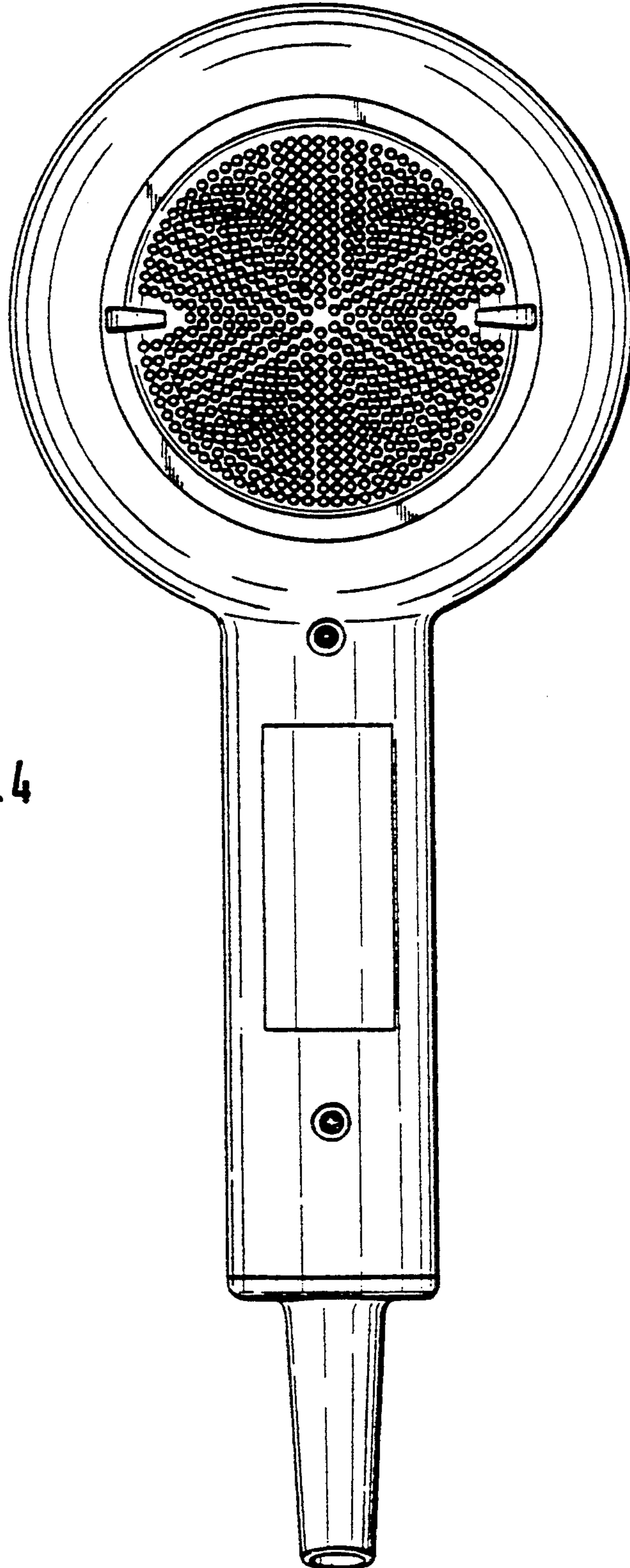


FIG. 4

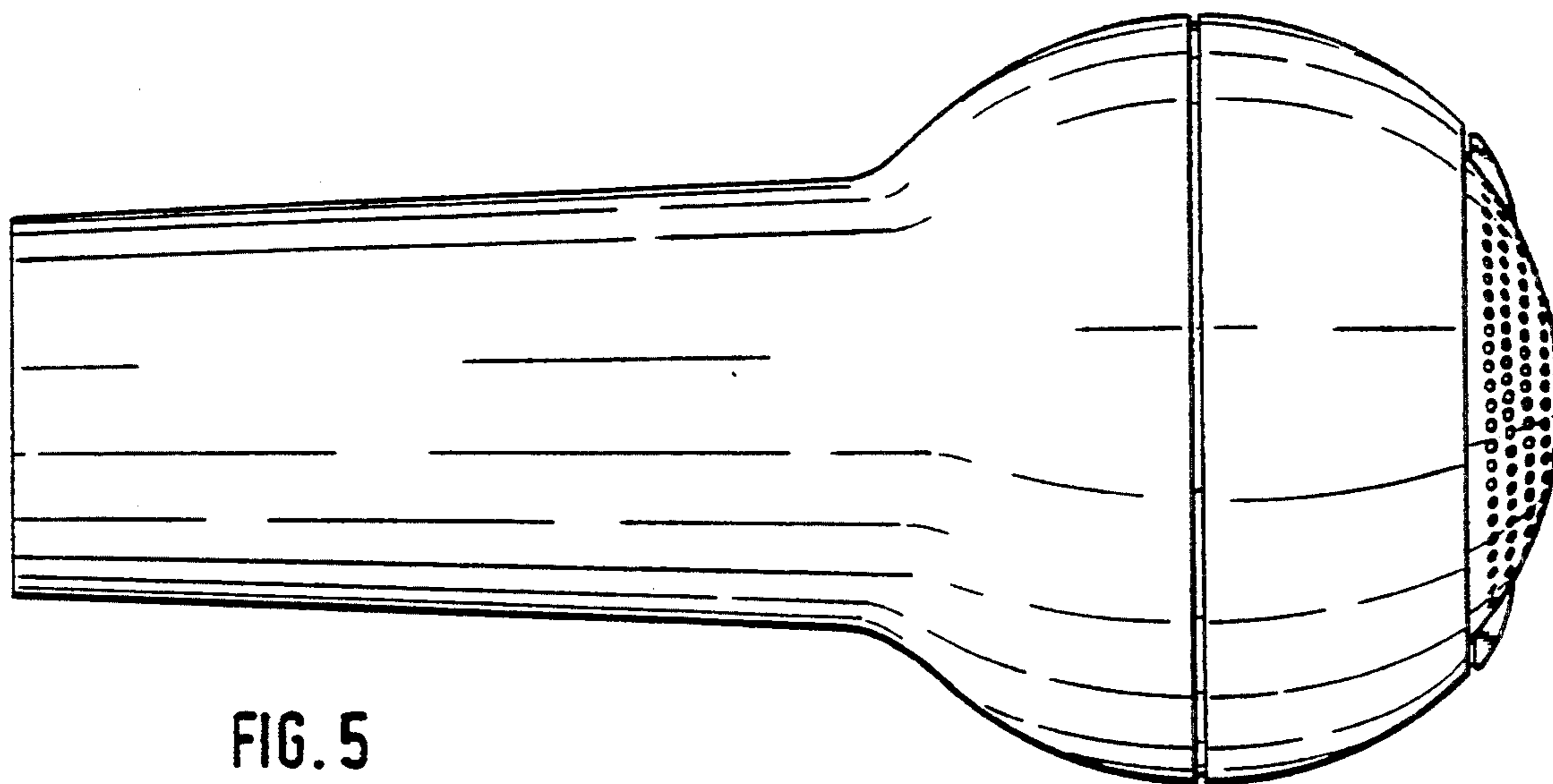


FIG. 5

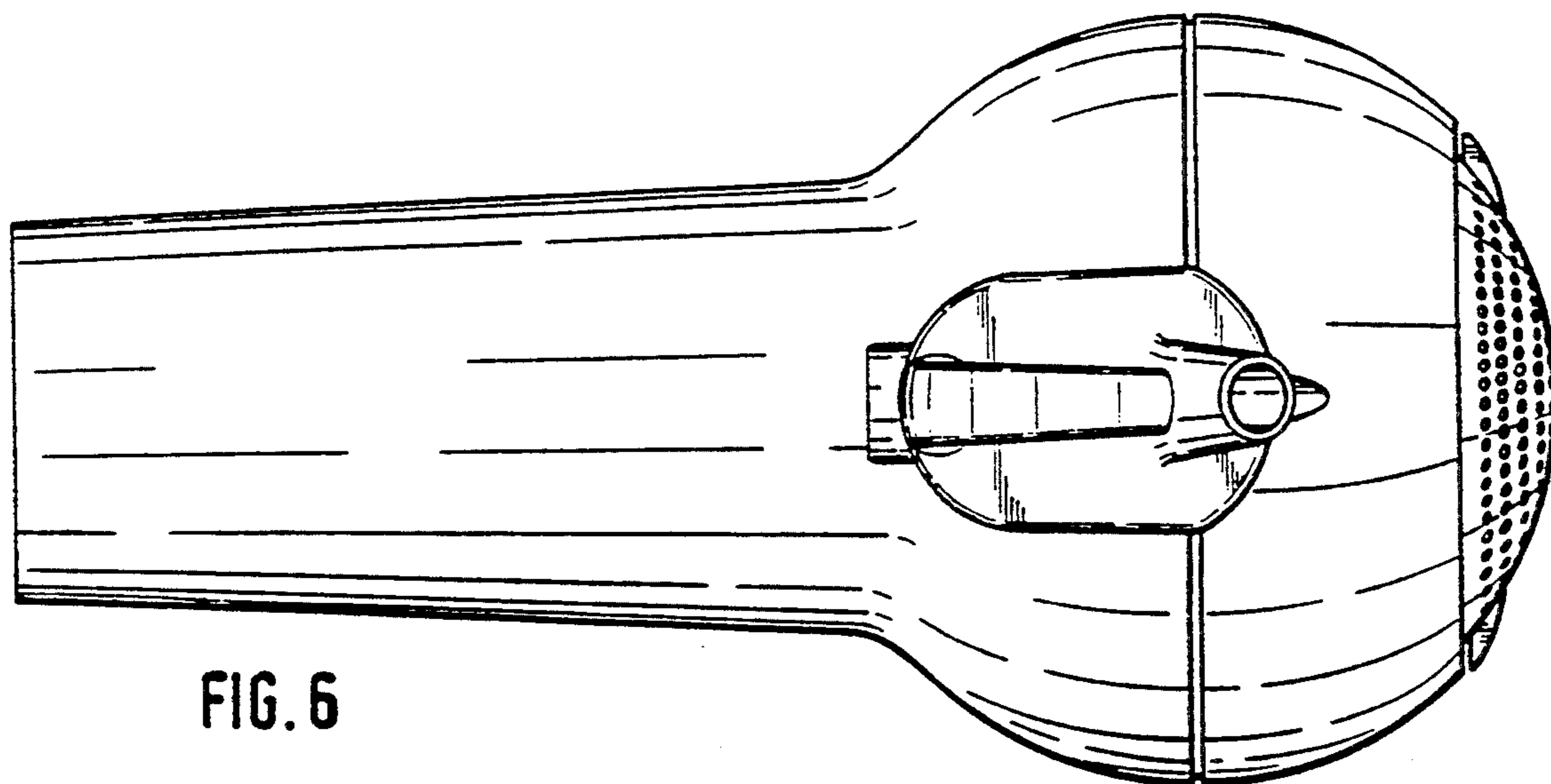


FIG. 6