



US00D359574S

United States Patent [19]

[11] Patent Number: **Des. 359,574**

Bornhorst et al.

[45] Date of Patent: **** Jun. 20, 1995**

[54] ADJUSTABLE LAMP

DESCRIPTION

[75] Inventors: **James M. Bornhorst, DeSoto; Timothy D. Stacy, Plano; Timothy W. Terleski, Garland, all of Tex.**

FIG. 1 is a top and right perspective view of the adjustable lamp;

[73] Assignee: **Vari-Lite Incorporated**

FIG. 2 is the right side view of the adjustable lamp;

[**] Term: **14 Years**

FIG. 3 is the front view of the adjustable lamp;

[21] Appl. No.: **940,724**

FIG. 4 is the left side view of the adjustable lamp;

[22] Filed: **Sep. 4, 1992**

FIG. 5 is the rear view of the adjustable lamp;

[52] U.S. Cl. **D26/65**

FIG. 6 is the top view of the adjustable lamp;

[58] Field of Search **D26/60-65; 362/147, 269, 275, 285, 418, 419, 427**

FIG. 7 is the bottom view of the adjustable lamp;

[56] References Cited

FIG. 8 is a side view of the adjustable lamp with the housing in its vertical position;

U.S. PATENT DOCUMENTS

4,556,936 12/1985 Snow 362/269 X
5,176,442 1/1993 Richardson 362/269 X

FIG. 9 is a top and right perspective view of an alternate embodiment of the adjustable lamp;

Primary Examiner—Susan J. Lucas
Attorney, Agent, or Firm—Morgan & Finnegan

FIG. 10 is the right side view of an alternate embodiment of the adjustable lamp;

[57] CLAIM

The ornamental design for an adjustable lamp, as shown and described.

FIG. 11 is the front view of an alternate embodiment of the adjustable lamp;

FIG. 12 is the left side view of an alternate embodiment of the adjustable lamp;

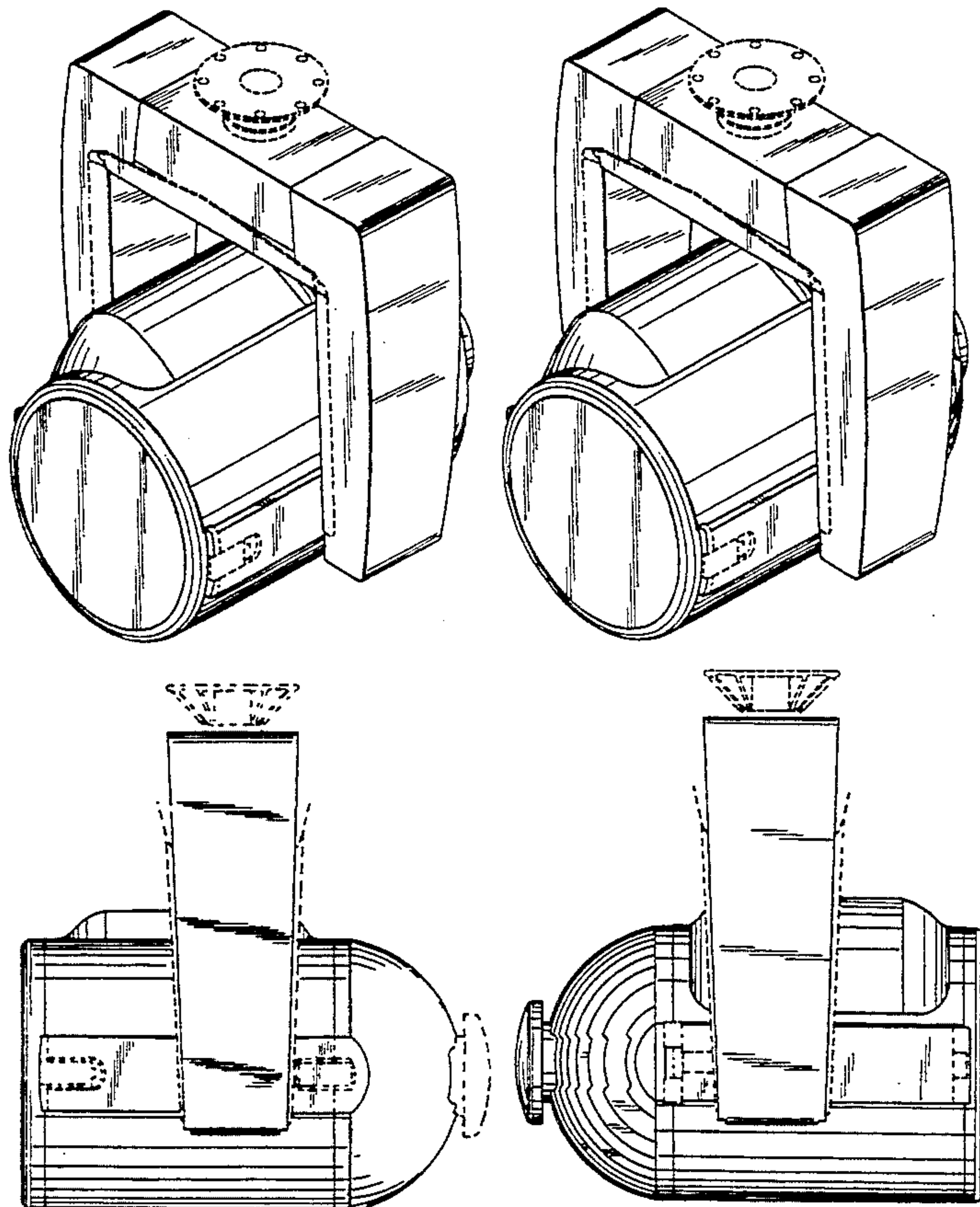
FIG. 13 is the rear view of an alternate embodiment of the adjustable lamp;

FIG. 14 is the top view of an alternate embodiment of the adjustable lamp;

FIG. 15 is the bottom view of an alternate embodiment of the adjustable lamp; and,

FIG. 16 is a side view of an alternate embodiment of the adjustable lamp with the housing in its vertical position.

The portions of the adjustable lamp shown in broken lines are for illustrative purposes only and form no part of the claimed design.



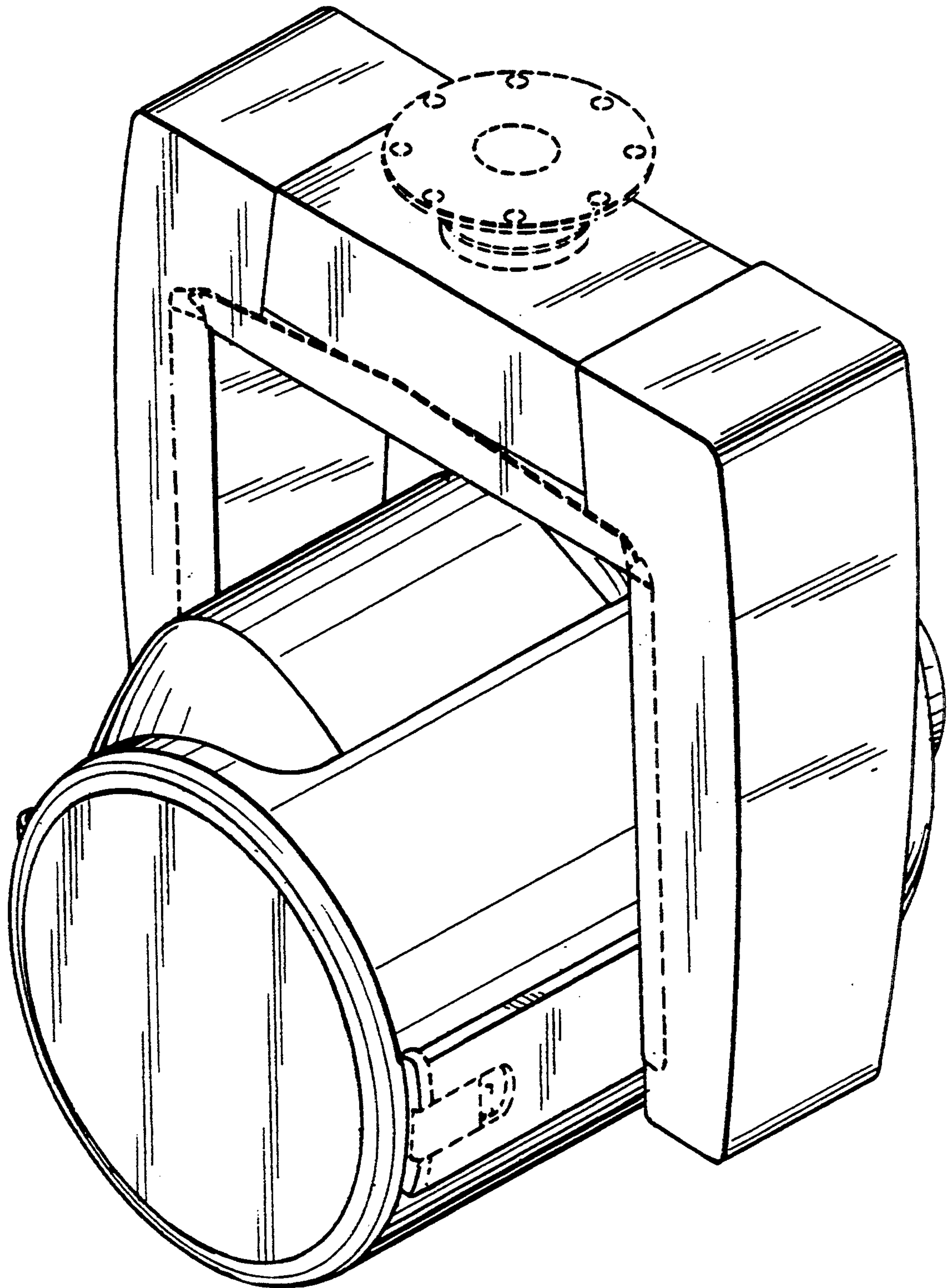


FIG. 1

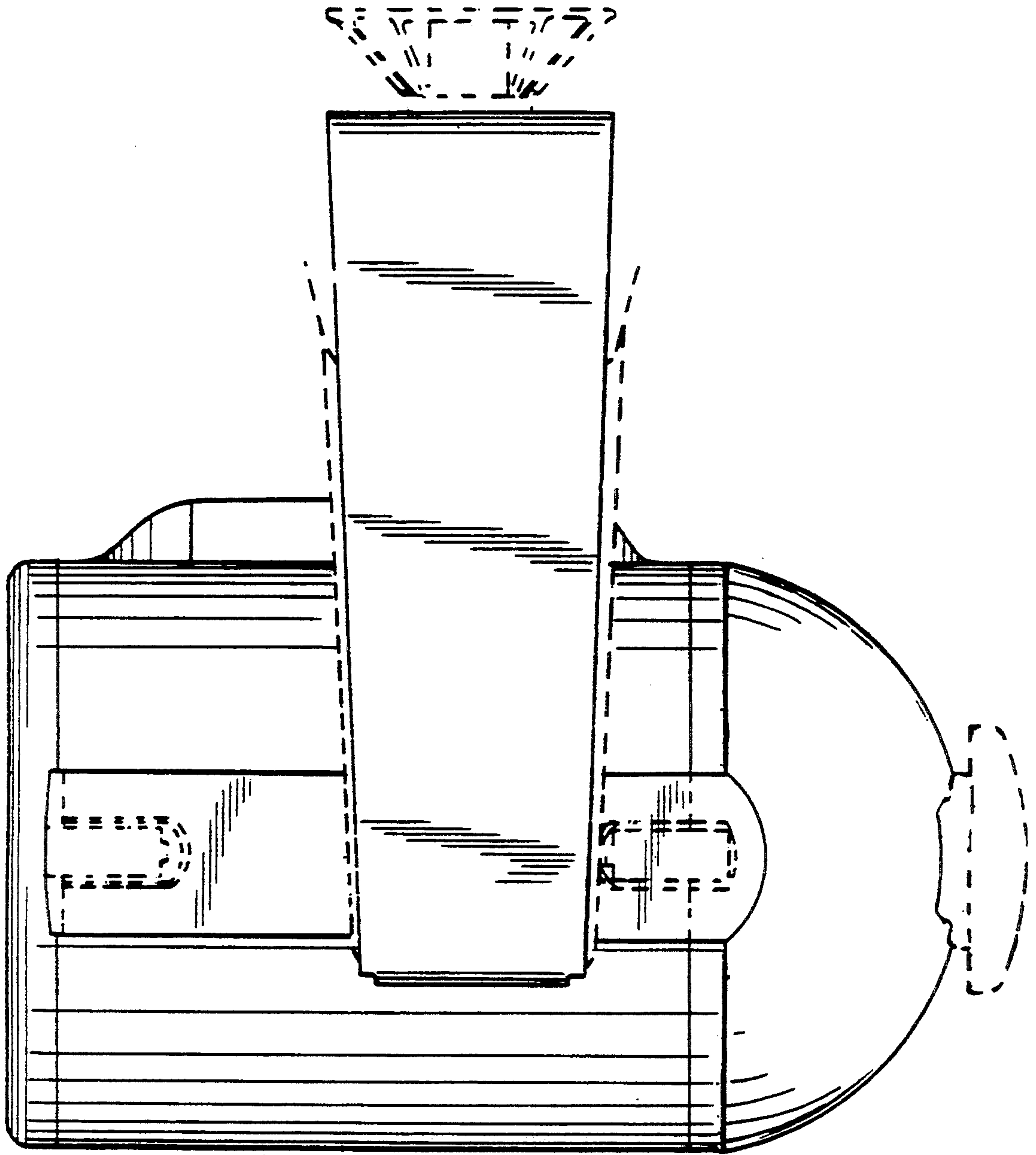


FIG. 2

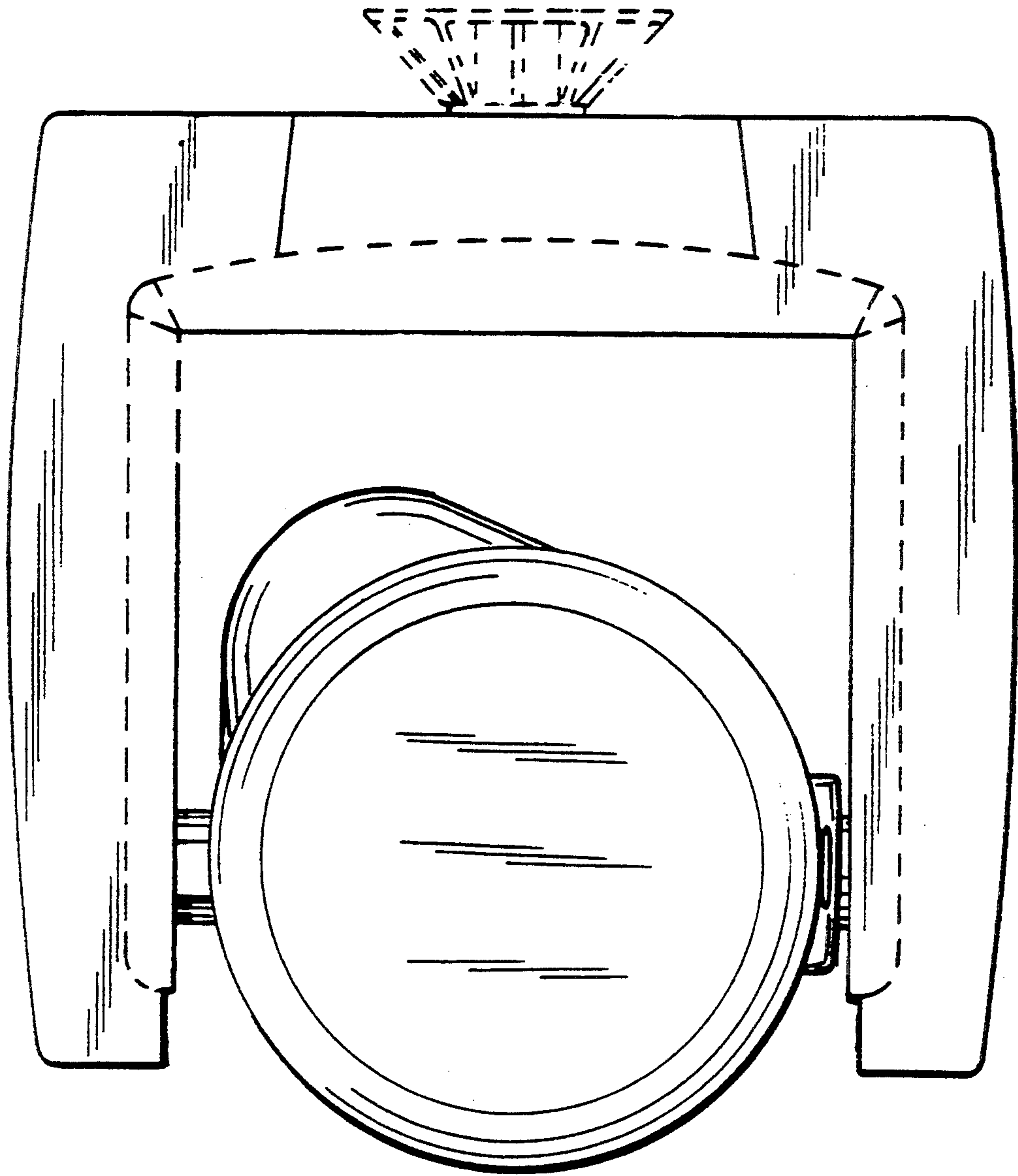


FIG.3

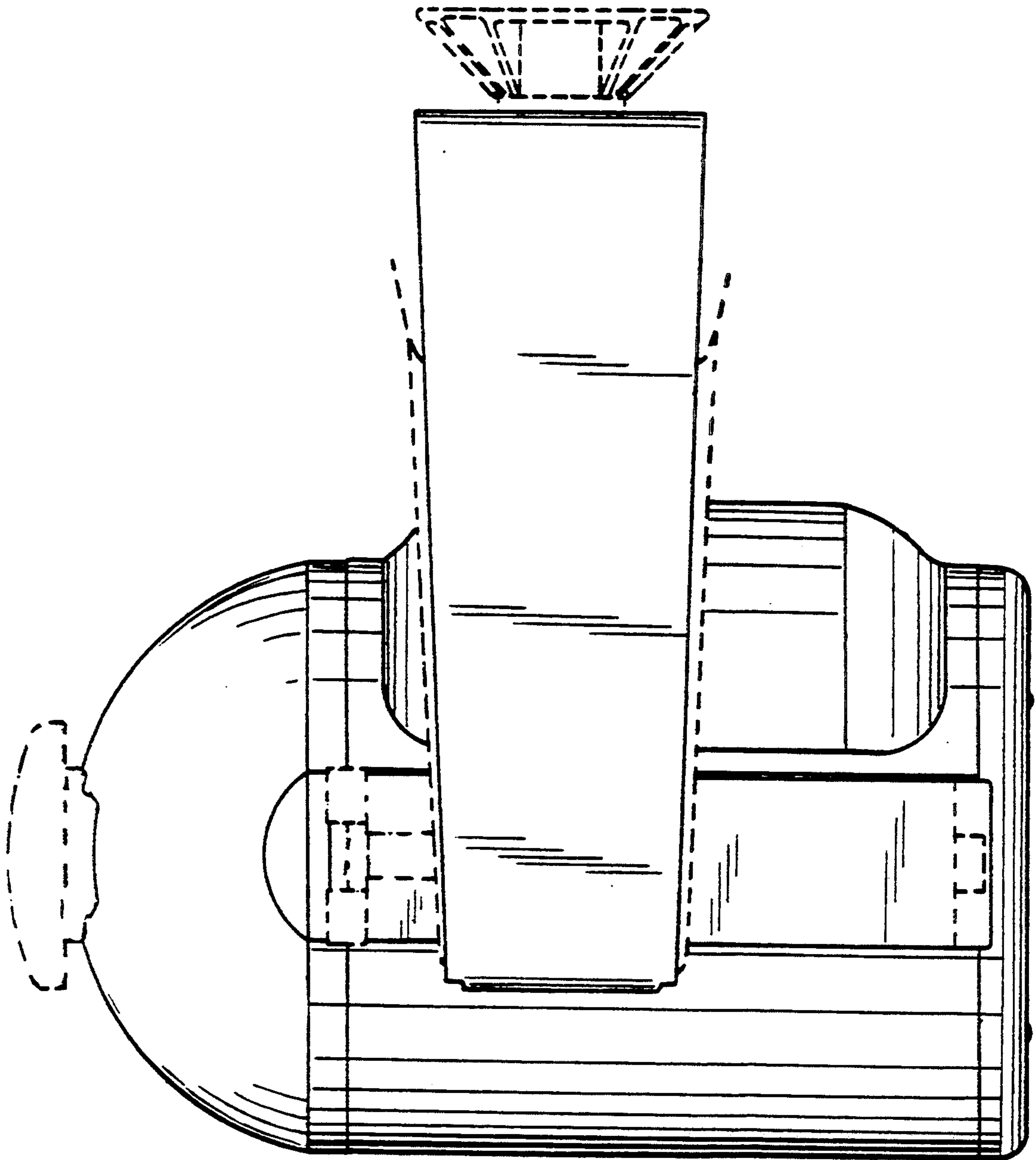


FIG. 4

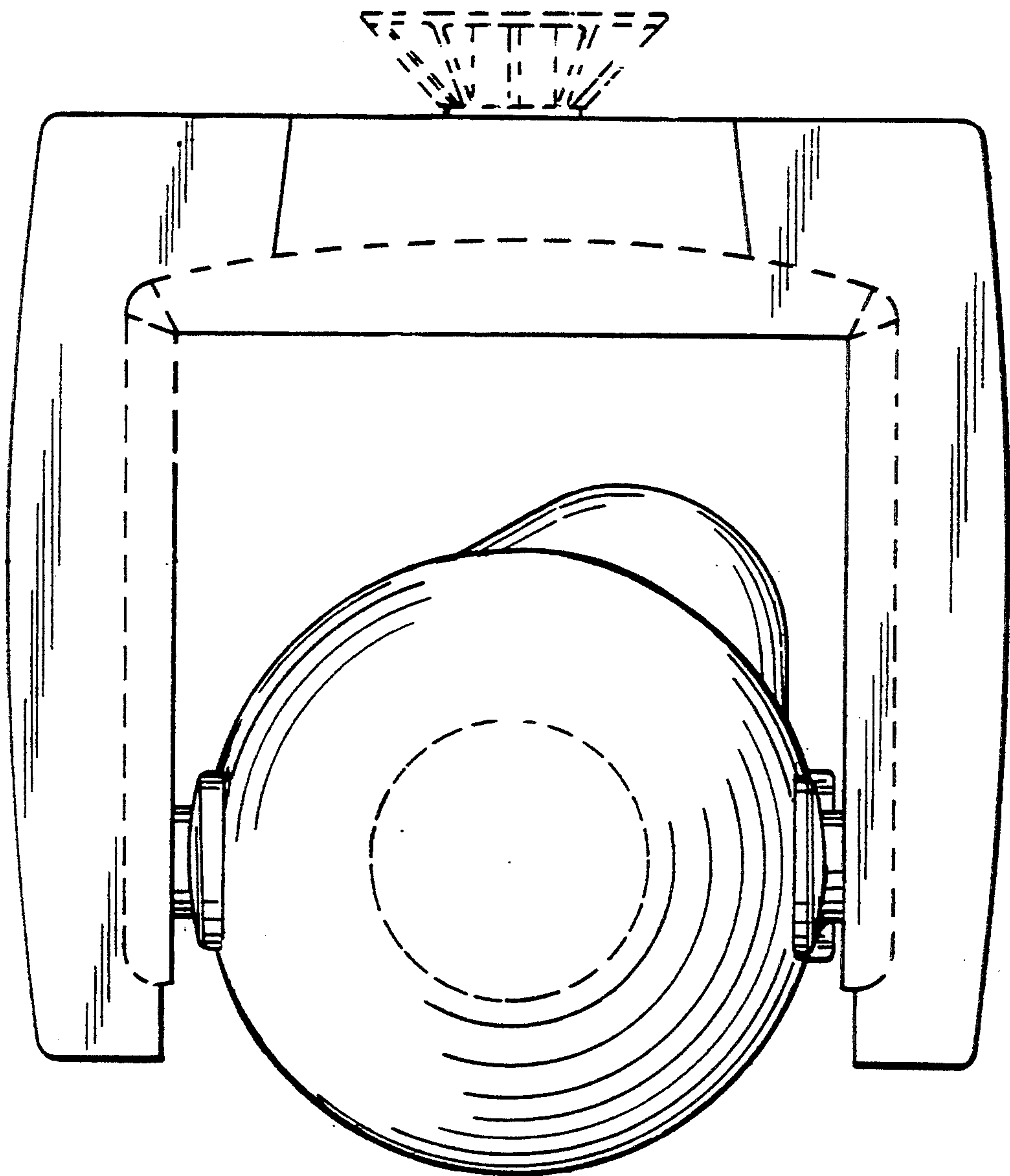


FIG. 5

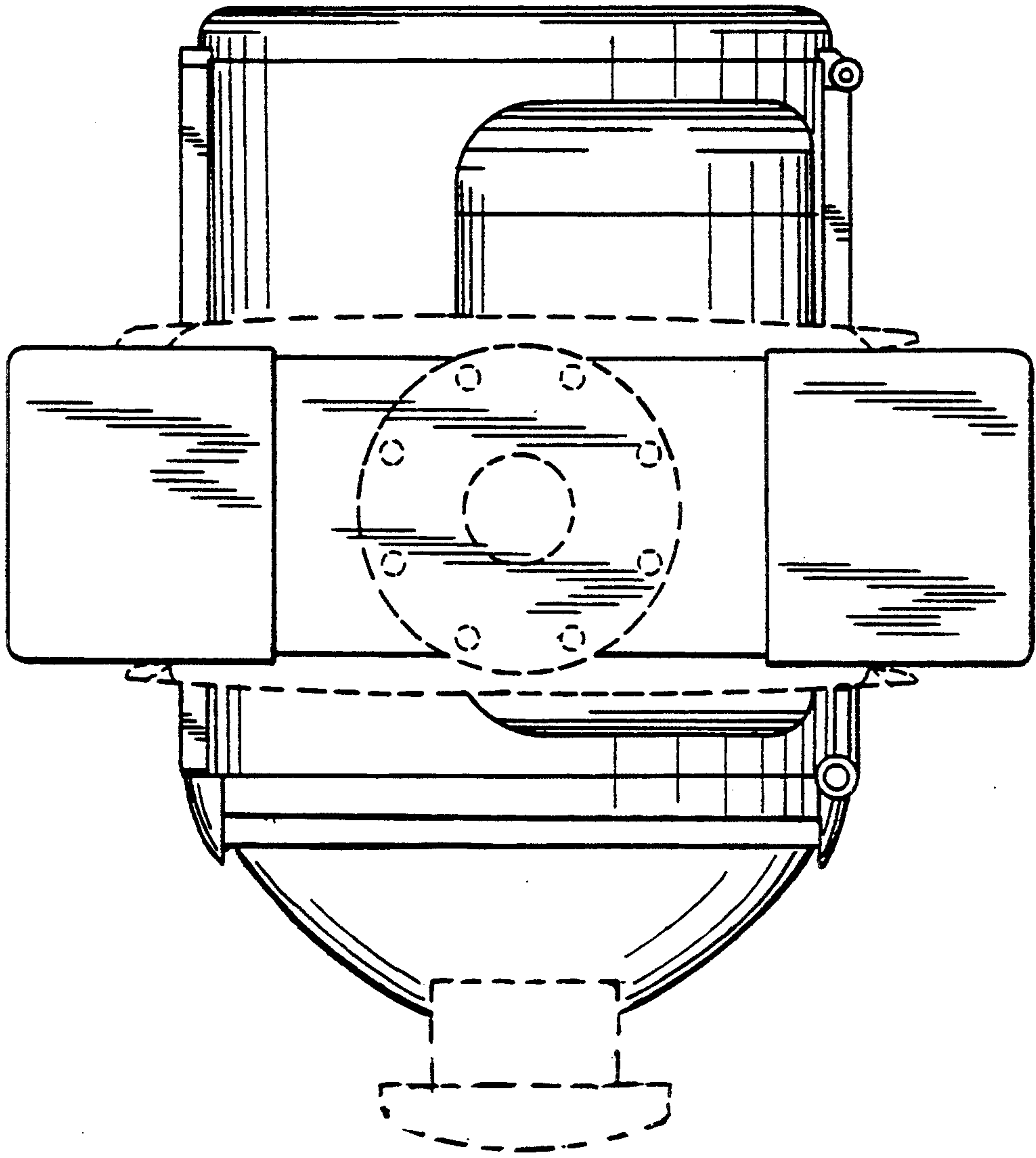


FIG. 6

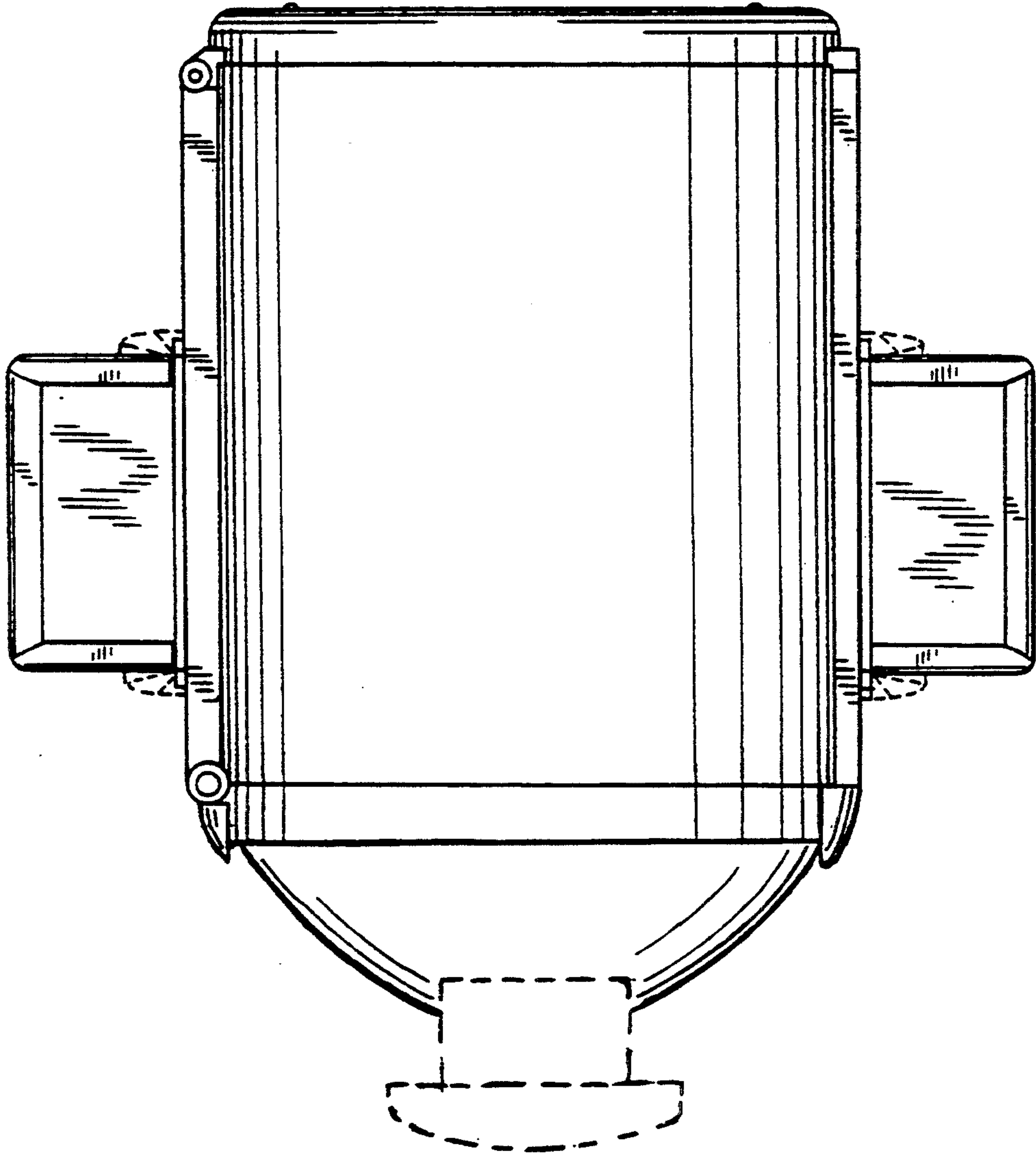


FIG. 7

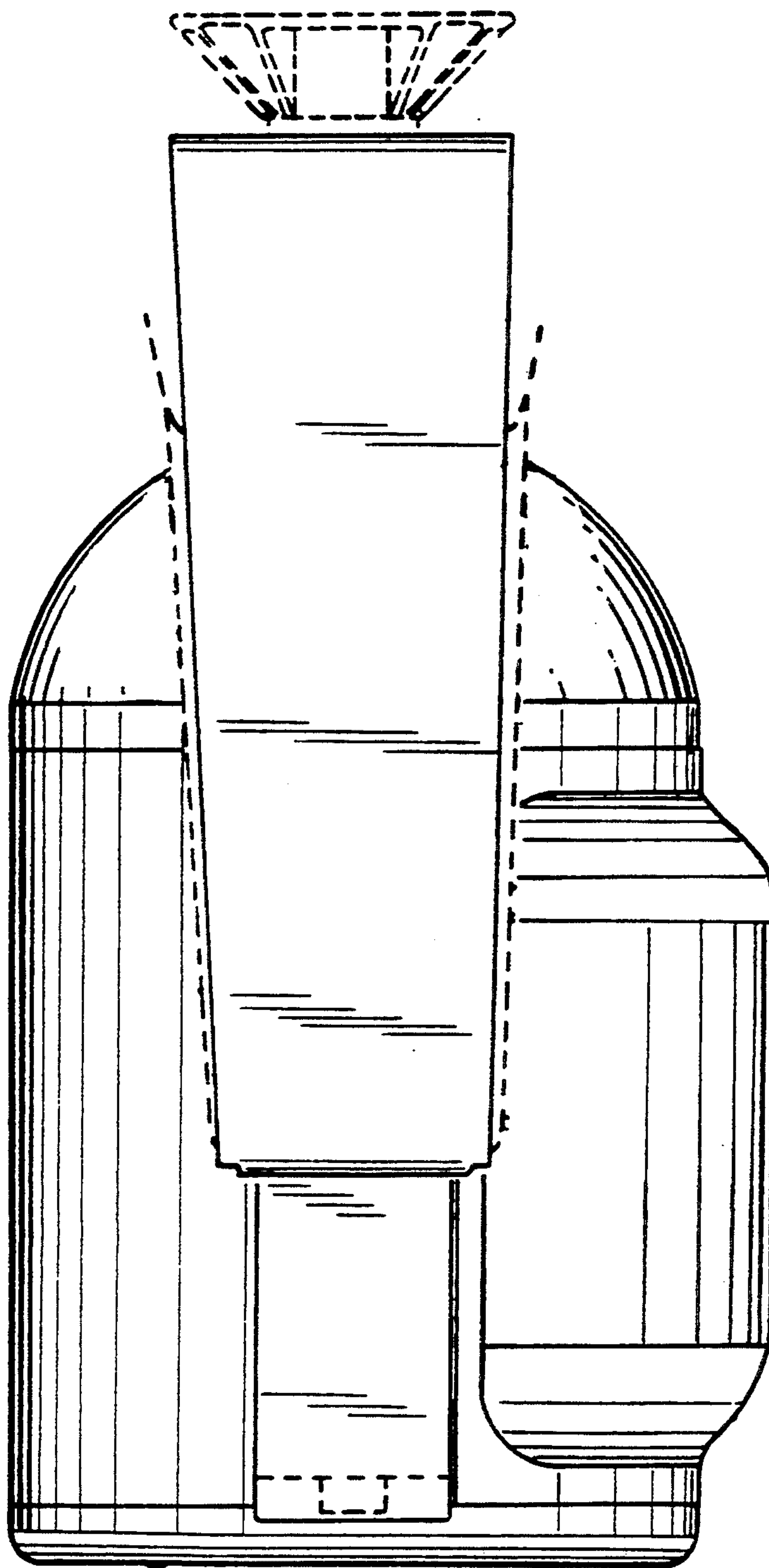


FIG. 8

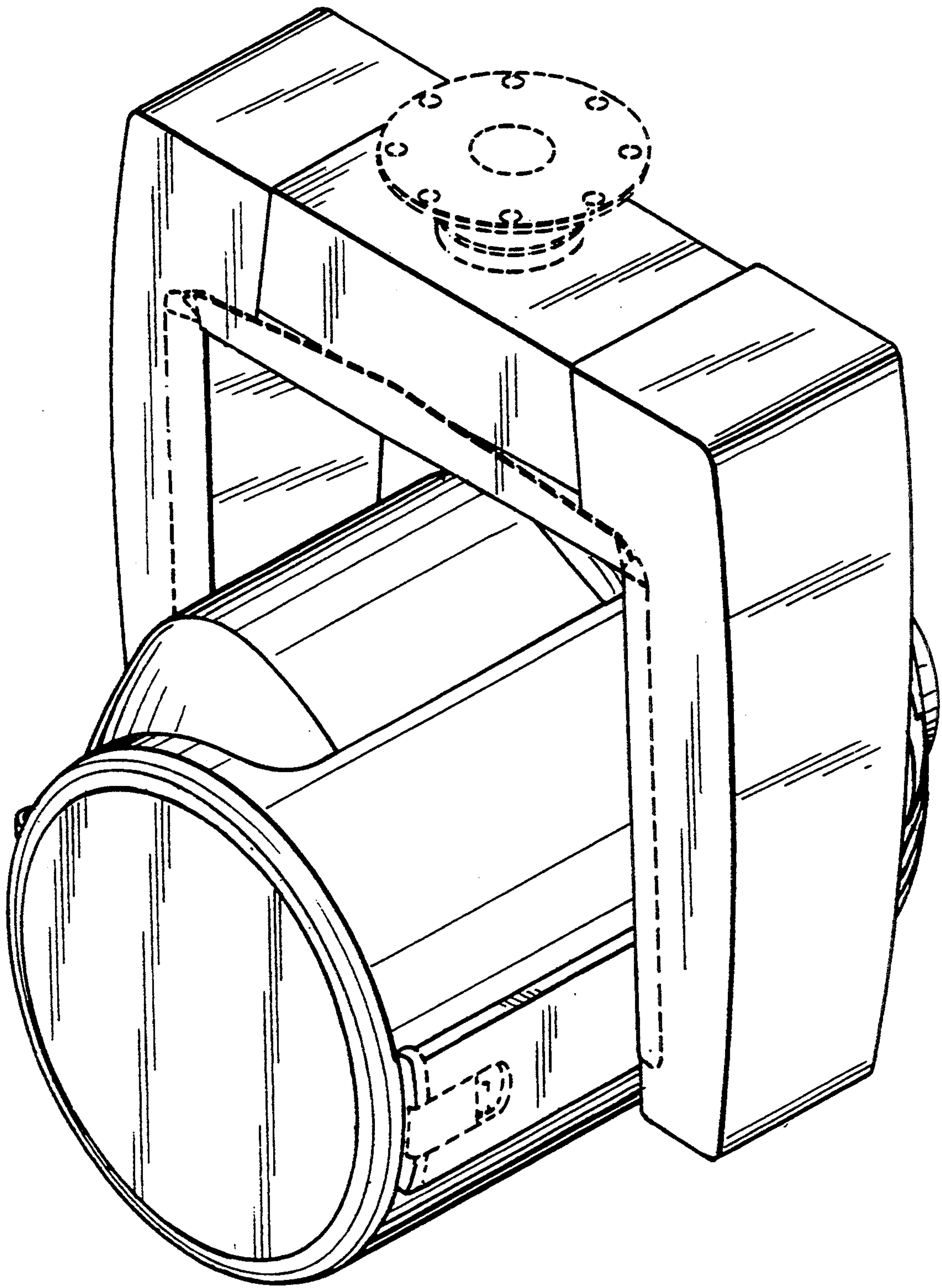


FIG. 9

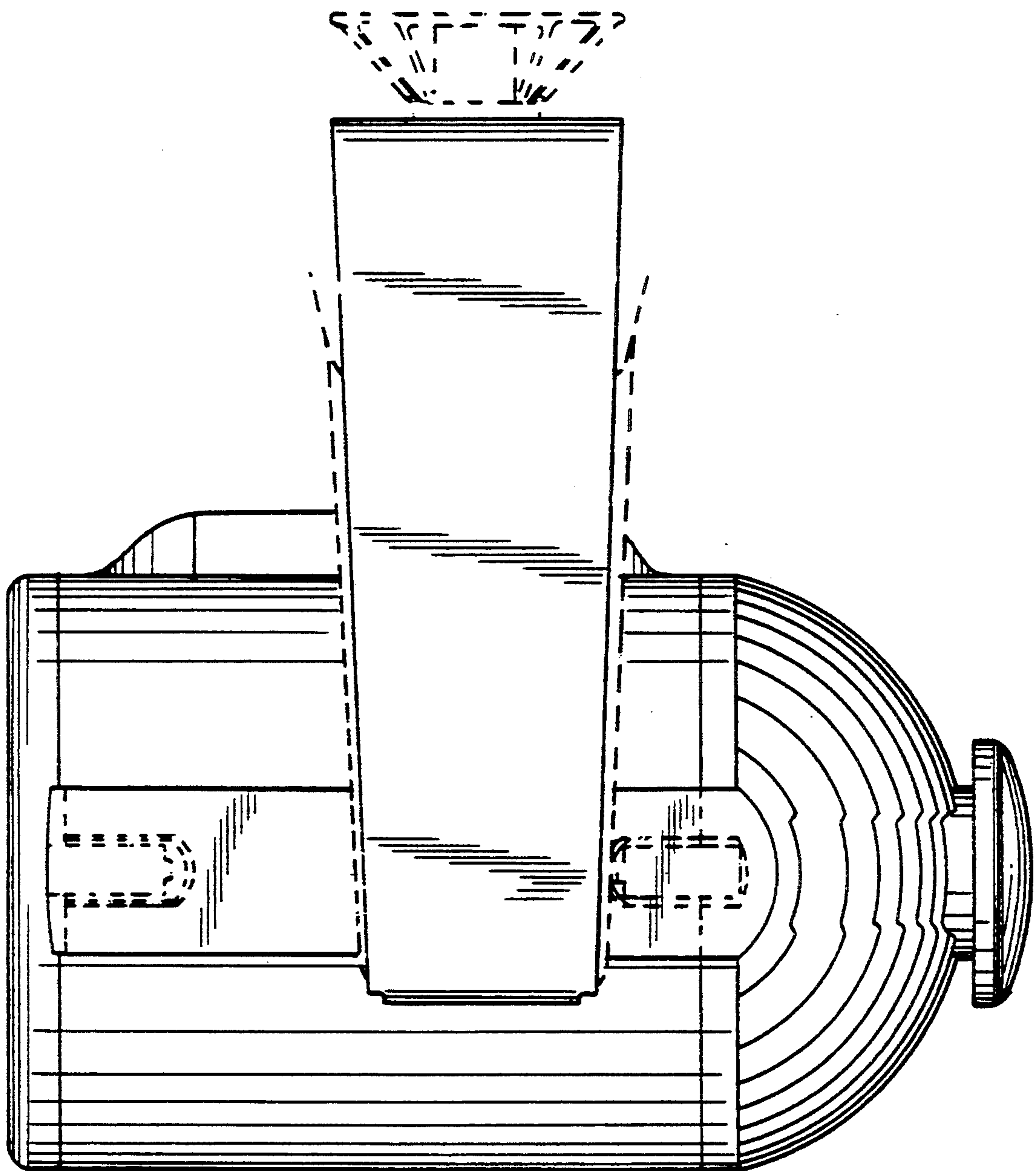


FIG. 10

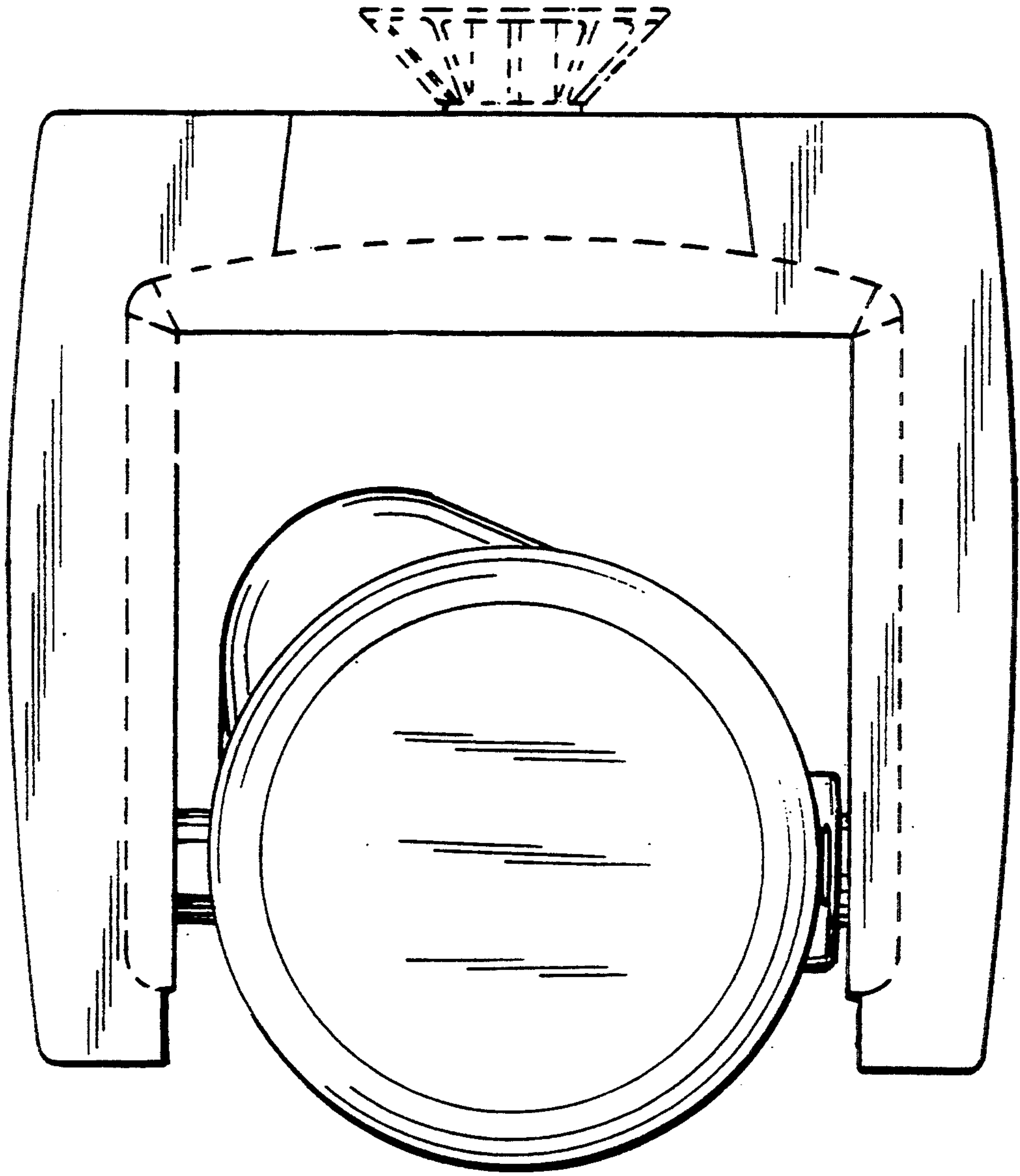


FIG. II

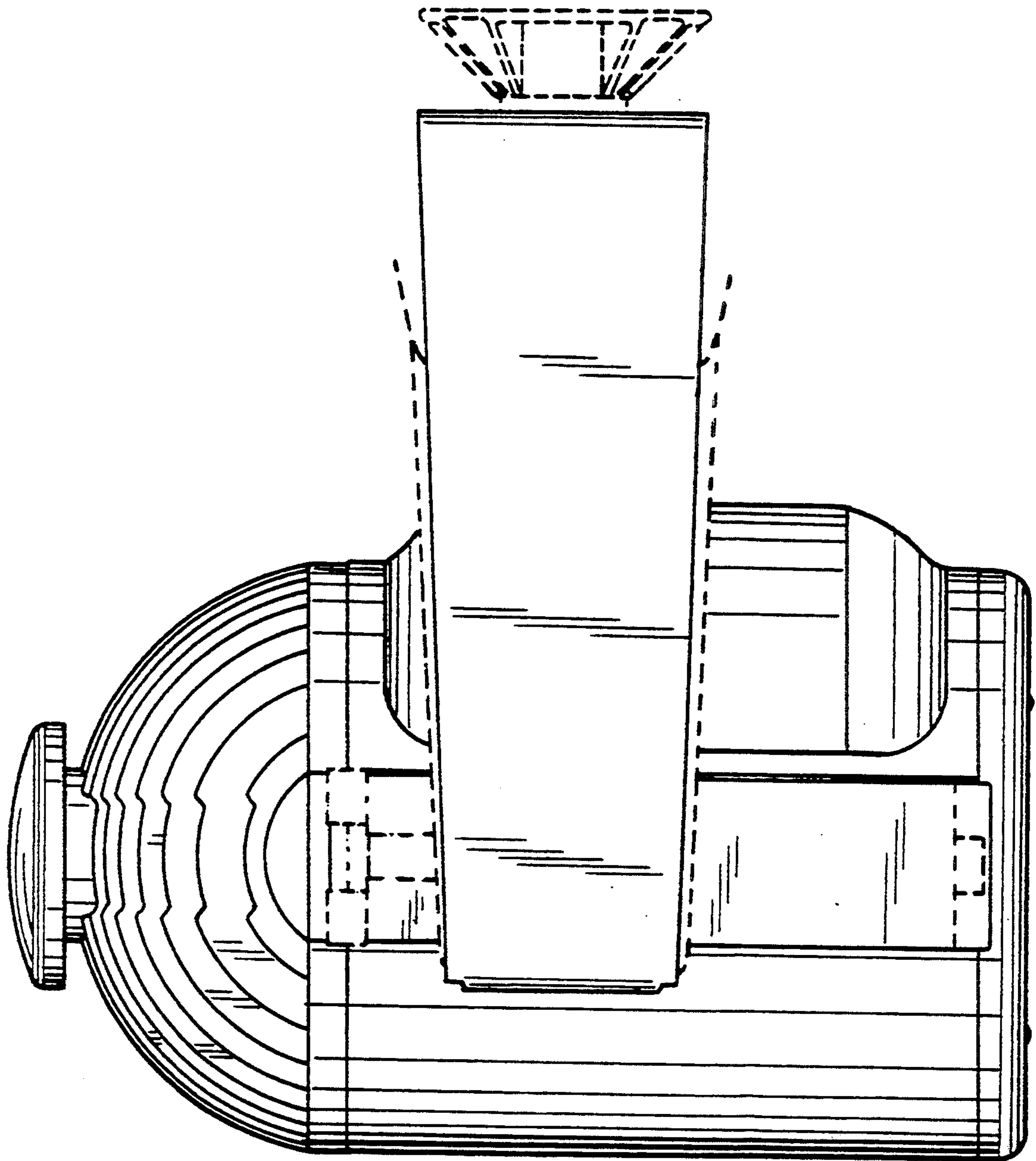


FIG. 12

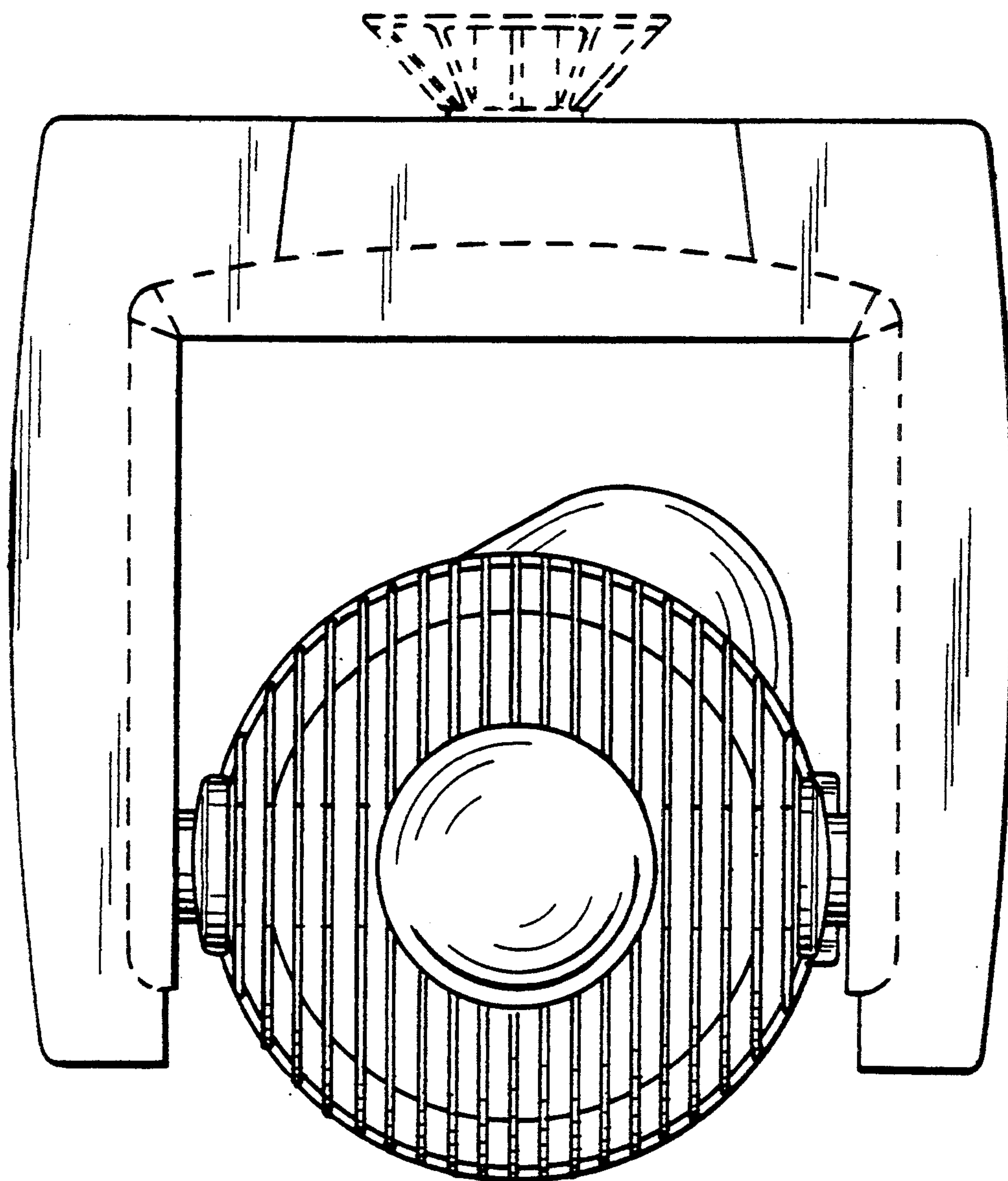


FIG. 13

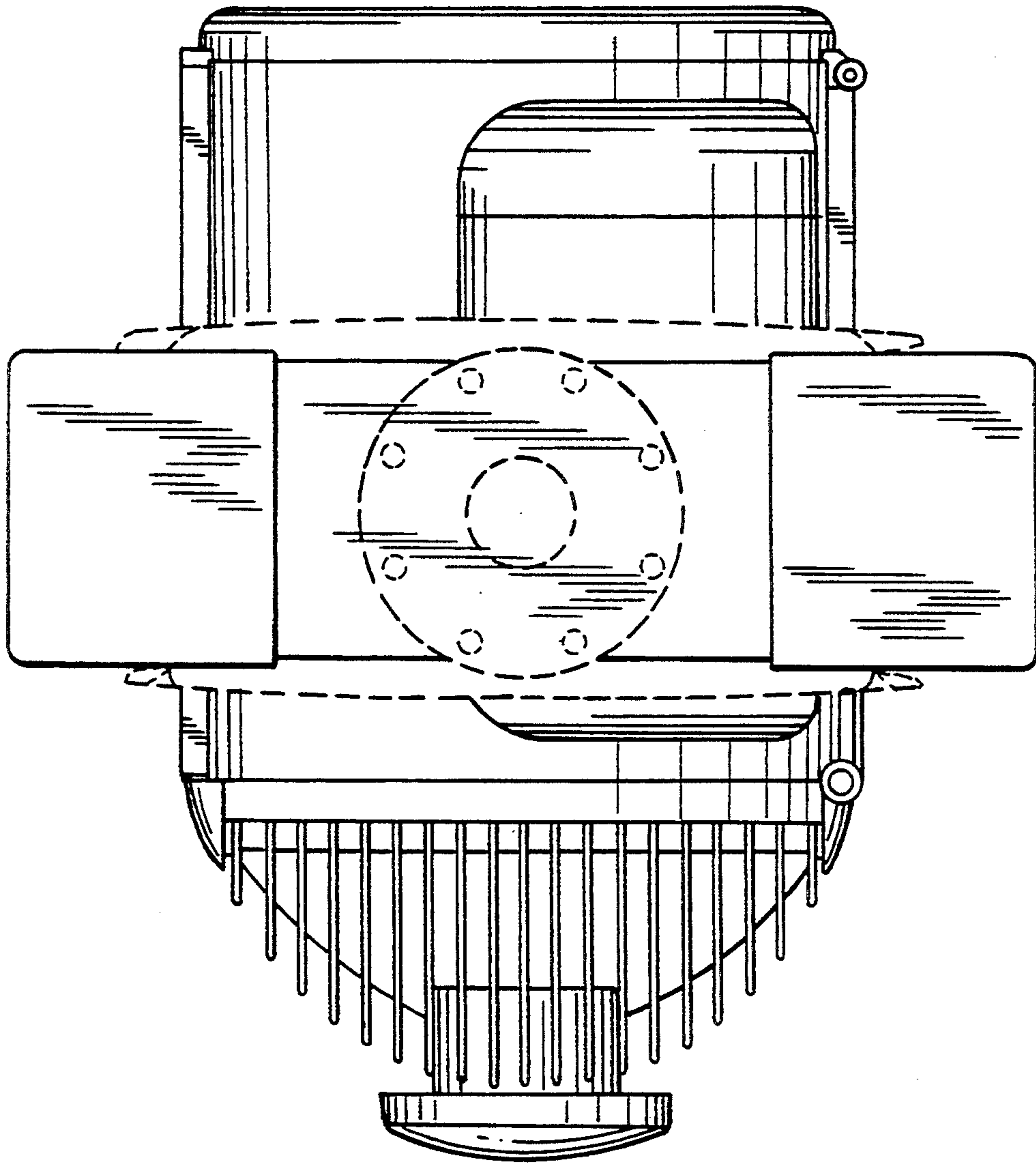


FIG. 14

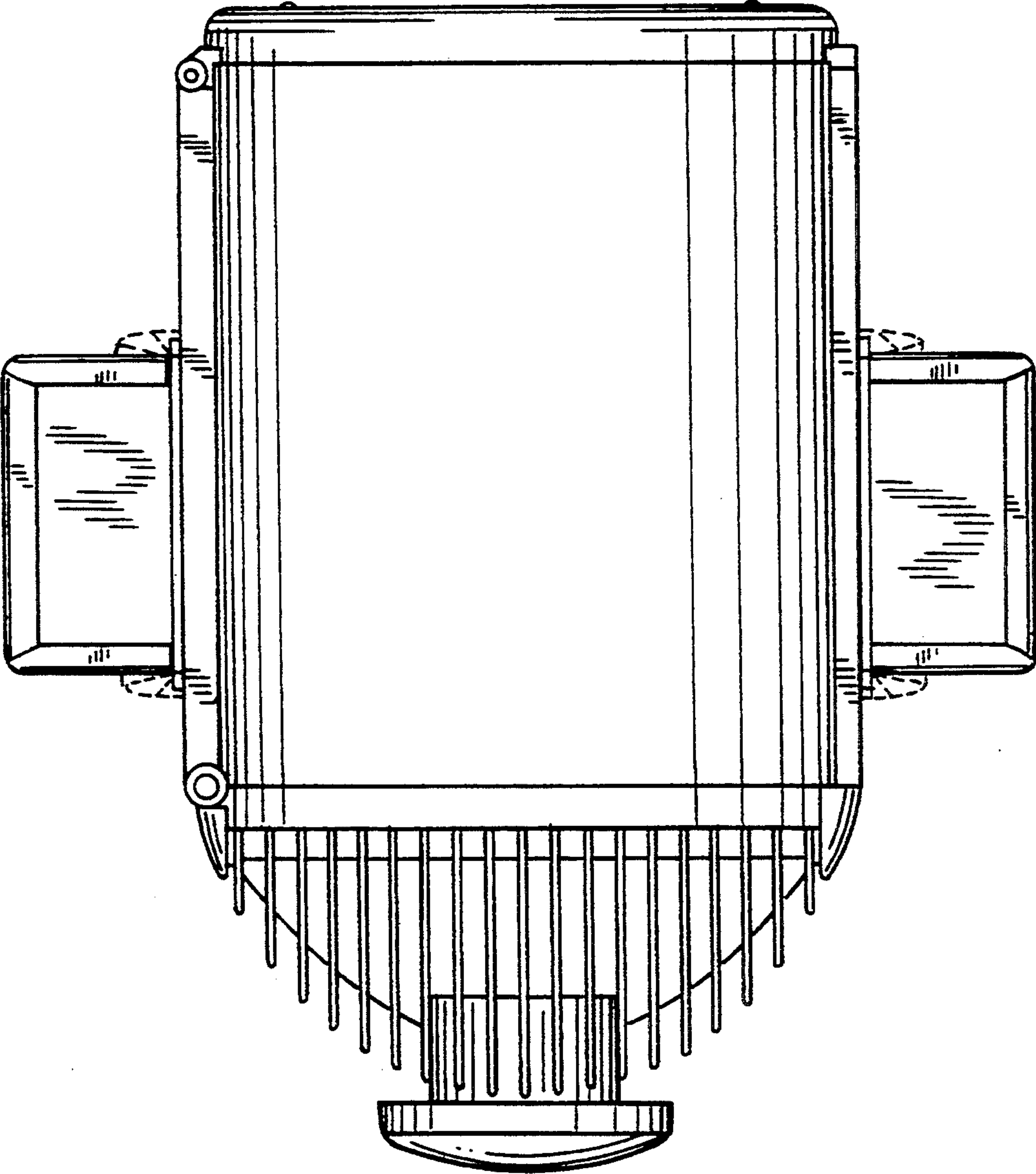


FIG. 15

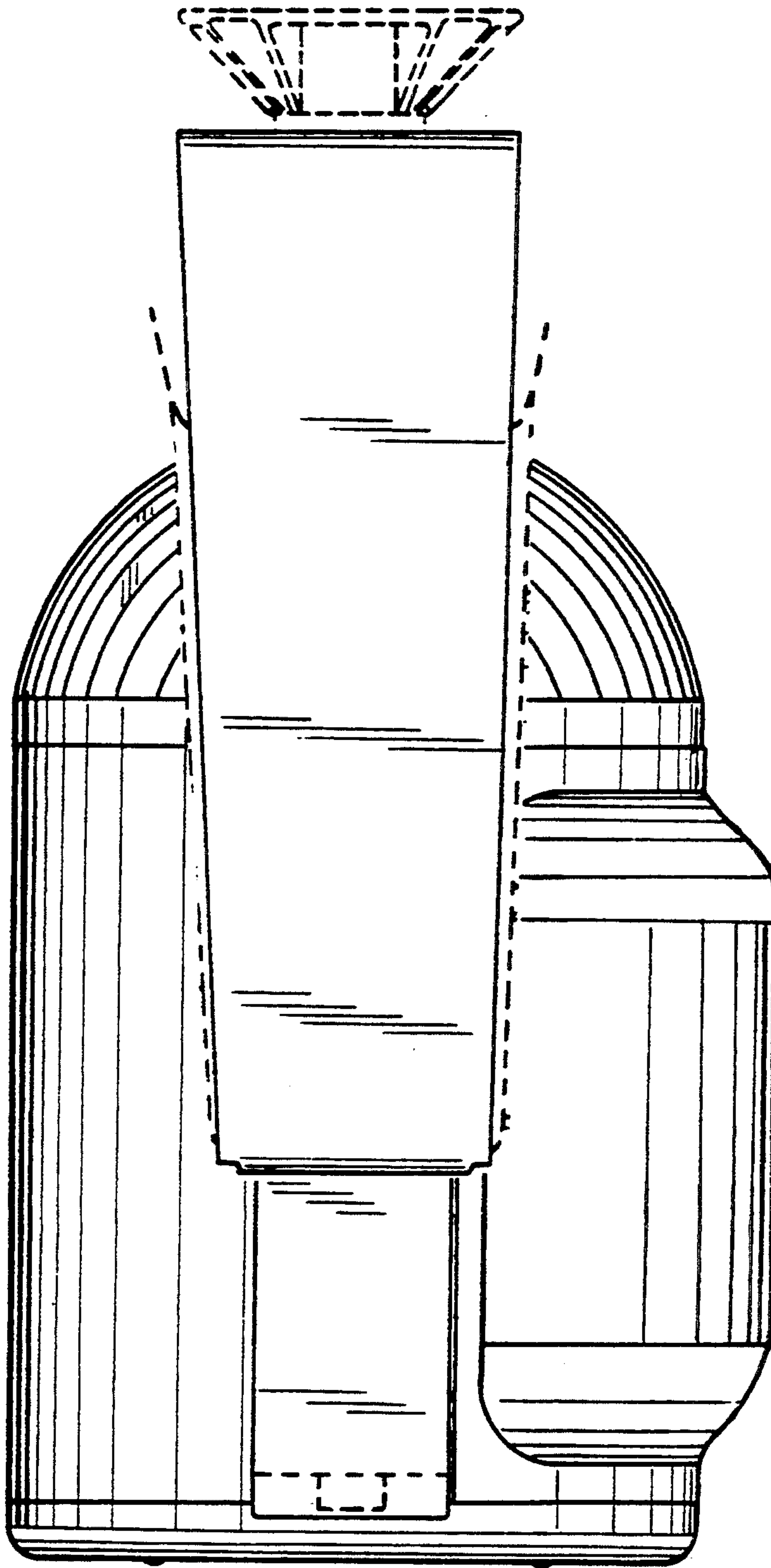


FIG. 16