



US00D359569S

United States Patent [19]

[11] Patent Number: **Des. 359,569**

Schrader

[45] Date of Patent: **** Jun. 20, 1995**

[54] WINDOW COMPONENT EXTRUSION

[56] References Cited

[75] Inventor: **Robert A. Schrader**, Puyallup, Wash.

U.S. PATENT DOCUMENTS

D. 245,707	9/1977	Dallaire	D25/125
D. 333,877	3/1993	Cole	D25/124
4,344,254	8/1982	Varlonga	49/504

[73] Assignee: **Mikron Industries**, Kent, Wash.

Primary Examiner—Doris Clark
Attorney, Agent, or Firm—Seed and Berry

[**] Term: **14 Years**

[57] CLAIM

[21] Appl. No.: **27,815**

The ornamental design for a window component extrusion, as shown and described.

[22] Filed: **Aug. 30, 1994**

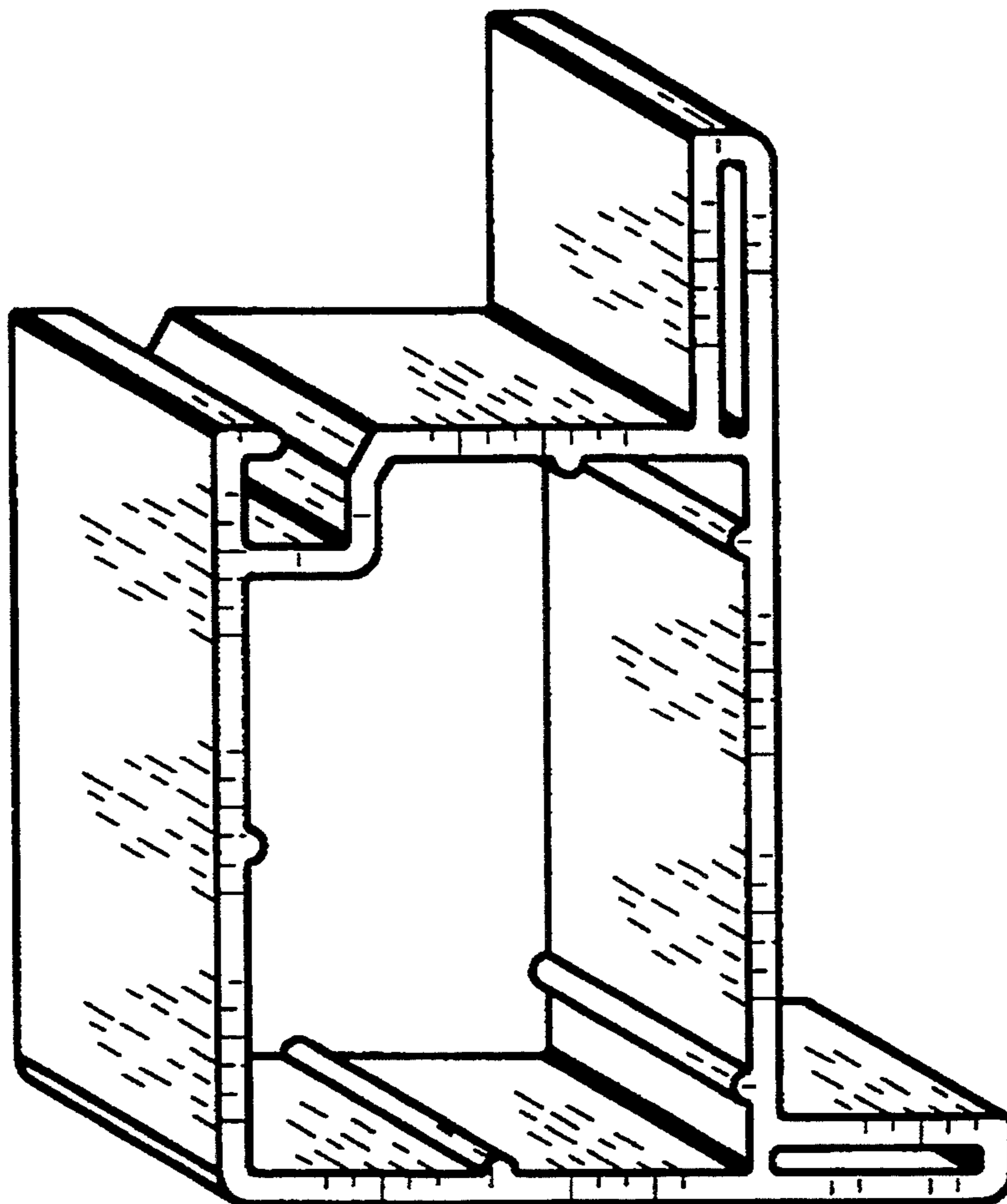
DESCRIPTION

[52] U.S. Cl. **D25/124; D25/125**

FIG. 1 is a top right perspective view of a window component extrusion showing my new design, the window component extrusion being of indefinite length; and

[58] Field of Search D25/121-125,
D25/60, 52; 49/DIG. 2, 504-505, 501;
52/204.5, 205.1, 204.56, 204.51, 730.3

FIG. 2 is a bottom left perspective view thereof.



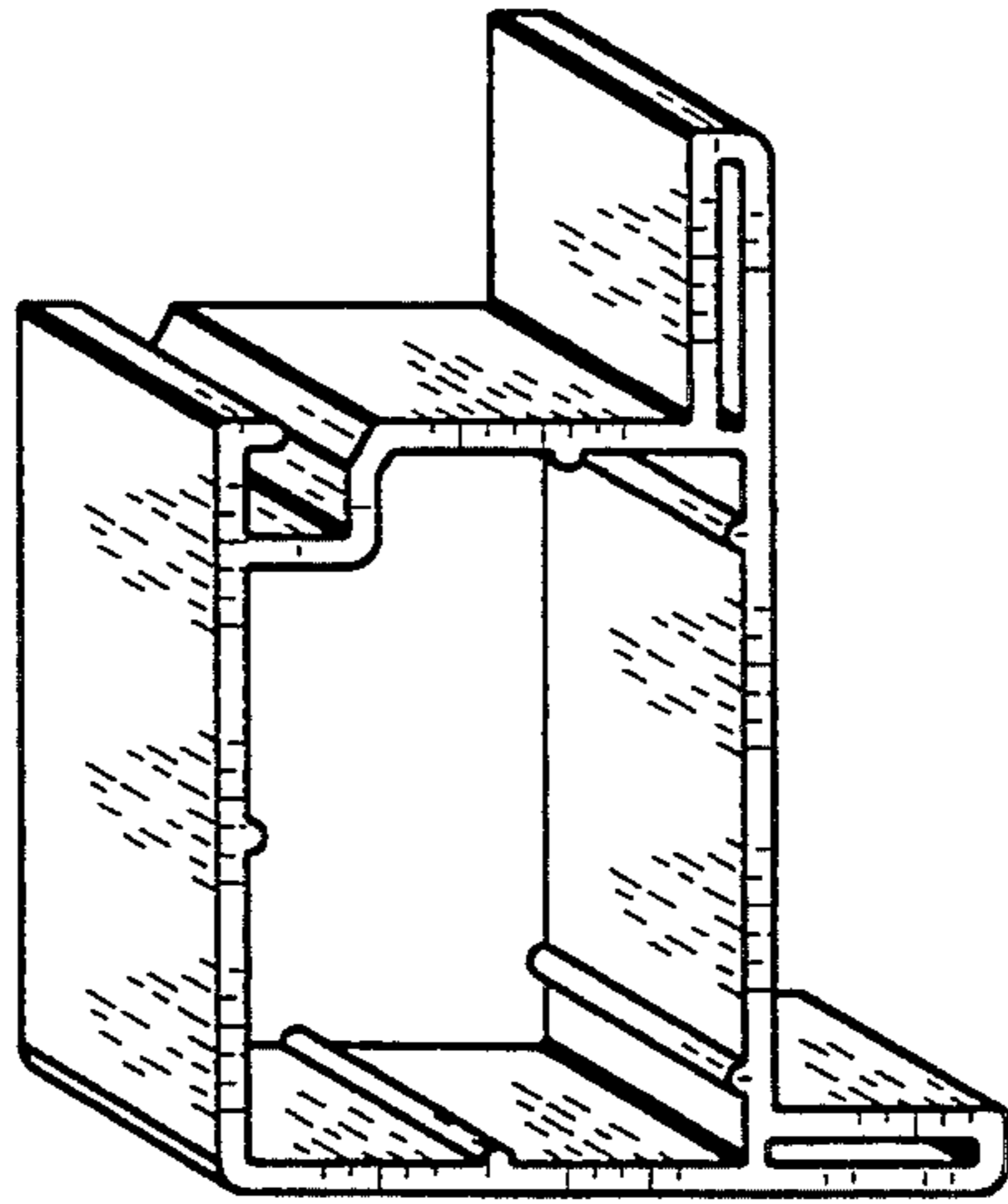


FIG. 1

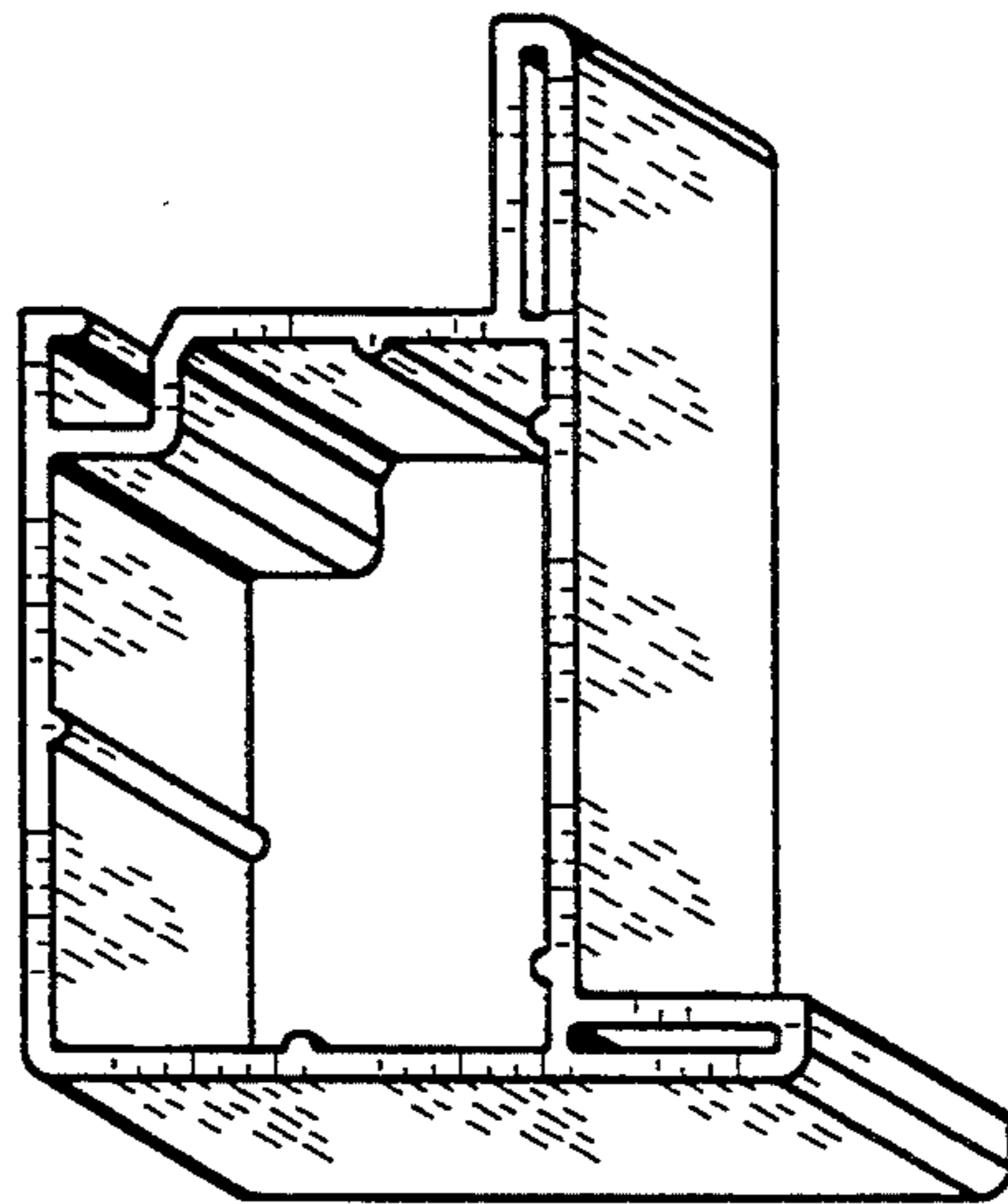


FIG. 2