



US00D359568S

United States Patent [19]

Schrader

[11] Patent Number: **Des. 359,568**

[45] Date of Patent: **** Jun. 20, 1995**

[54] WINDOW COMPONENT EXTRUSION

[75] Inventor: **Robert A. Schrader**, Puyallup, Wash.

[73] Assignee: **Mikron Industries**, Kent, Wash.

[**] Term: **14 Years**

[21] Appl. No.: **27,814**

[22] Filed: **Aug. 30, 1994**

[52] U.S. Cl. **D25/124**

[58] Field of Search **D25/121-125, D25/60, 52; 49/DIG. 2, 504-505, 501; 52/204.5, 205.1, 204.56, 204.51, 730.3**

[56] References Cited

U.S. PATENT DOCUMENTS

D. 289,203 4/1987 Hardy D25/124
4,831,781 5/1989 Morton 49/DIG. 2

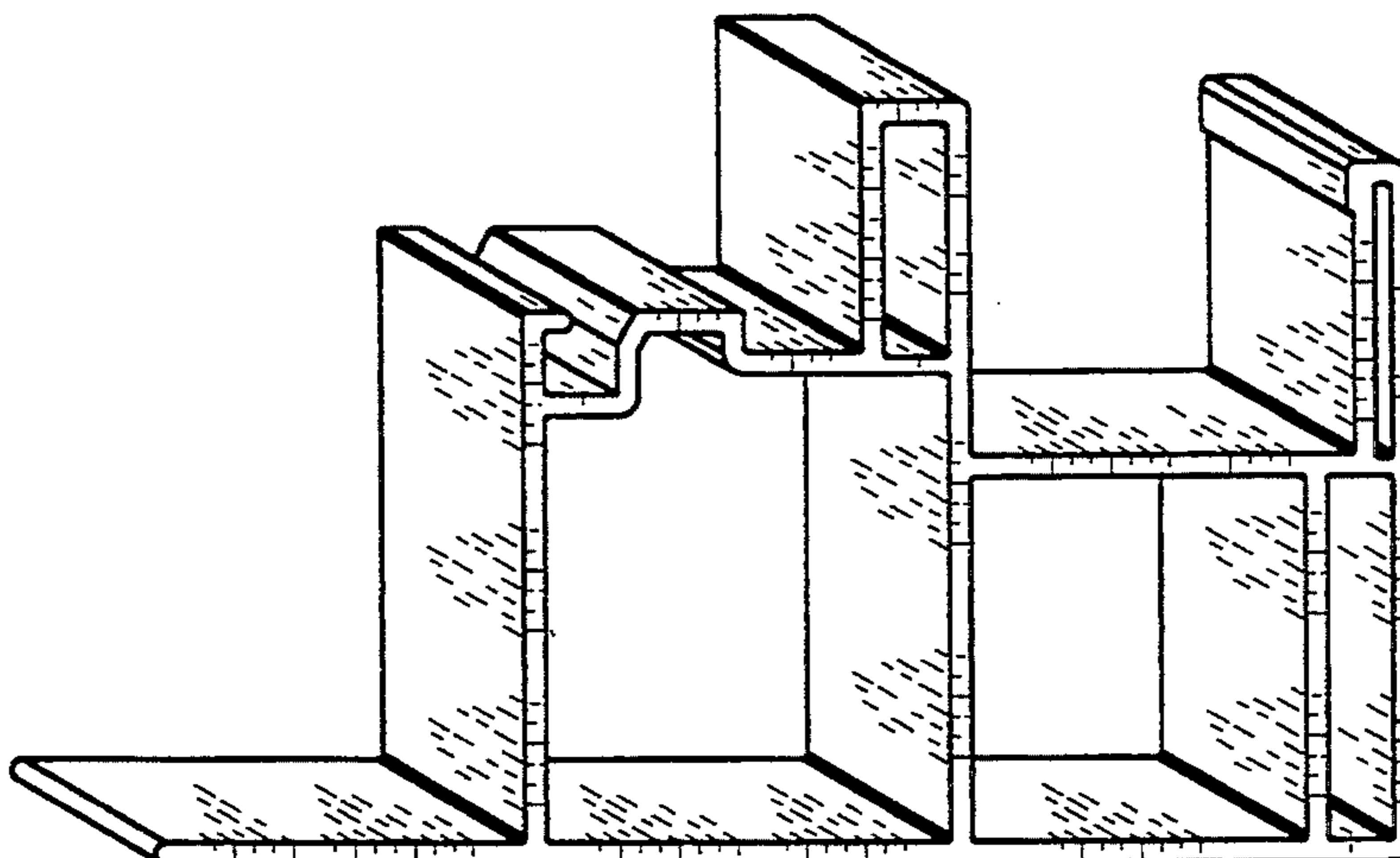
Primary Examiner—Doris Clark
Attorney, Agent, or Firm—Seed and Berry

[57] CLAIM

The ornamental design for a window component extrusion, as shown and described.

DESCRIPTION

FIG. 1 is a top right perspective view of a window component extrusion showing my new design, the window component extrusion being of indefinite length; and, FIG. 2 is a bottom left perspective view thereof.



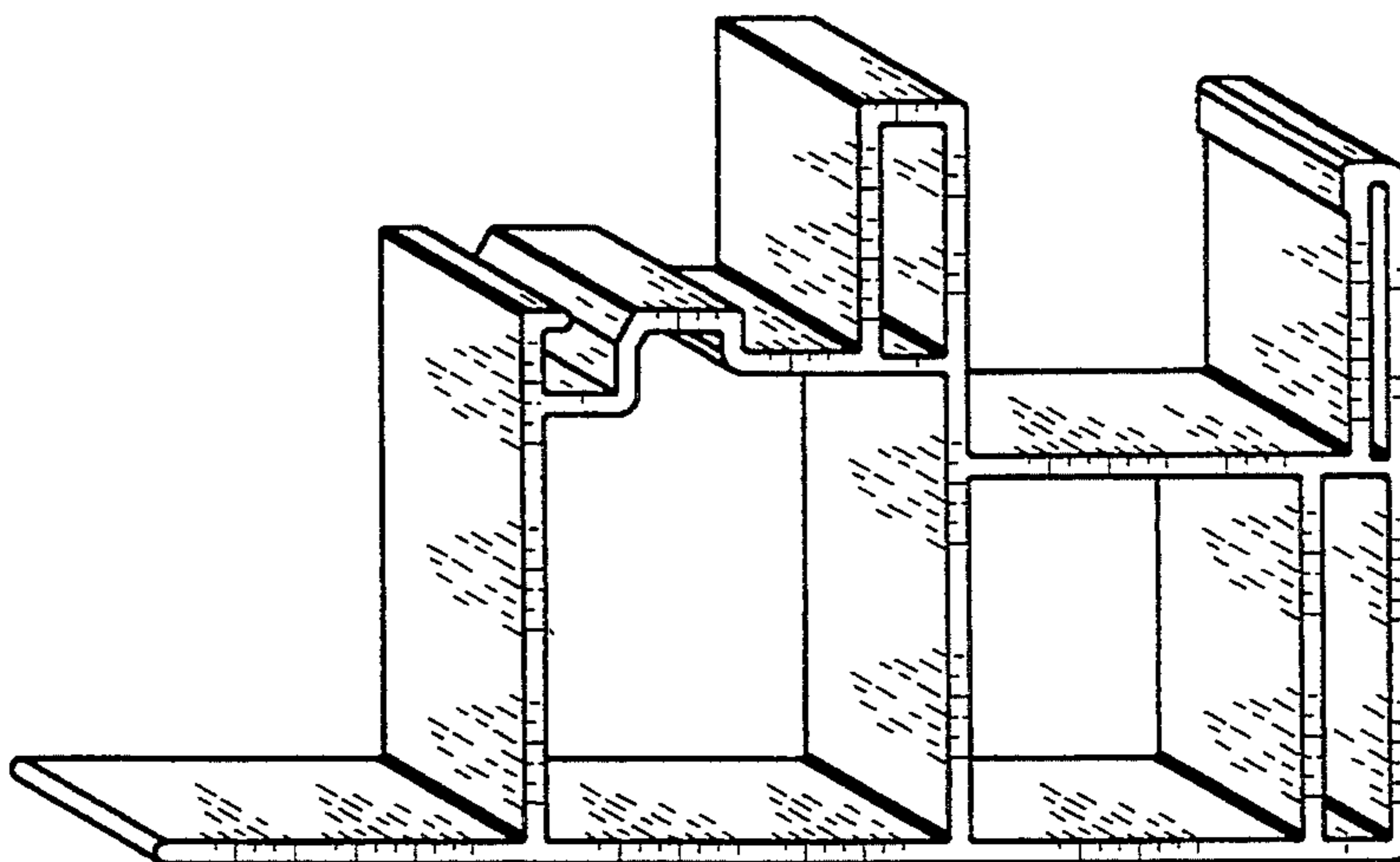


FIG. 1

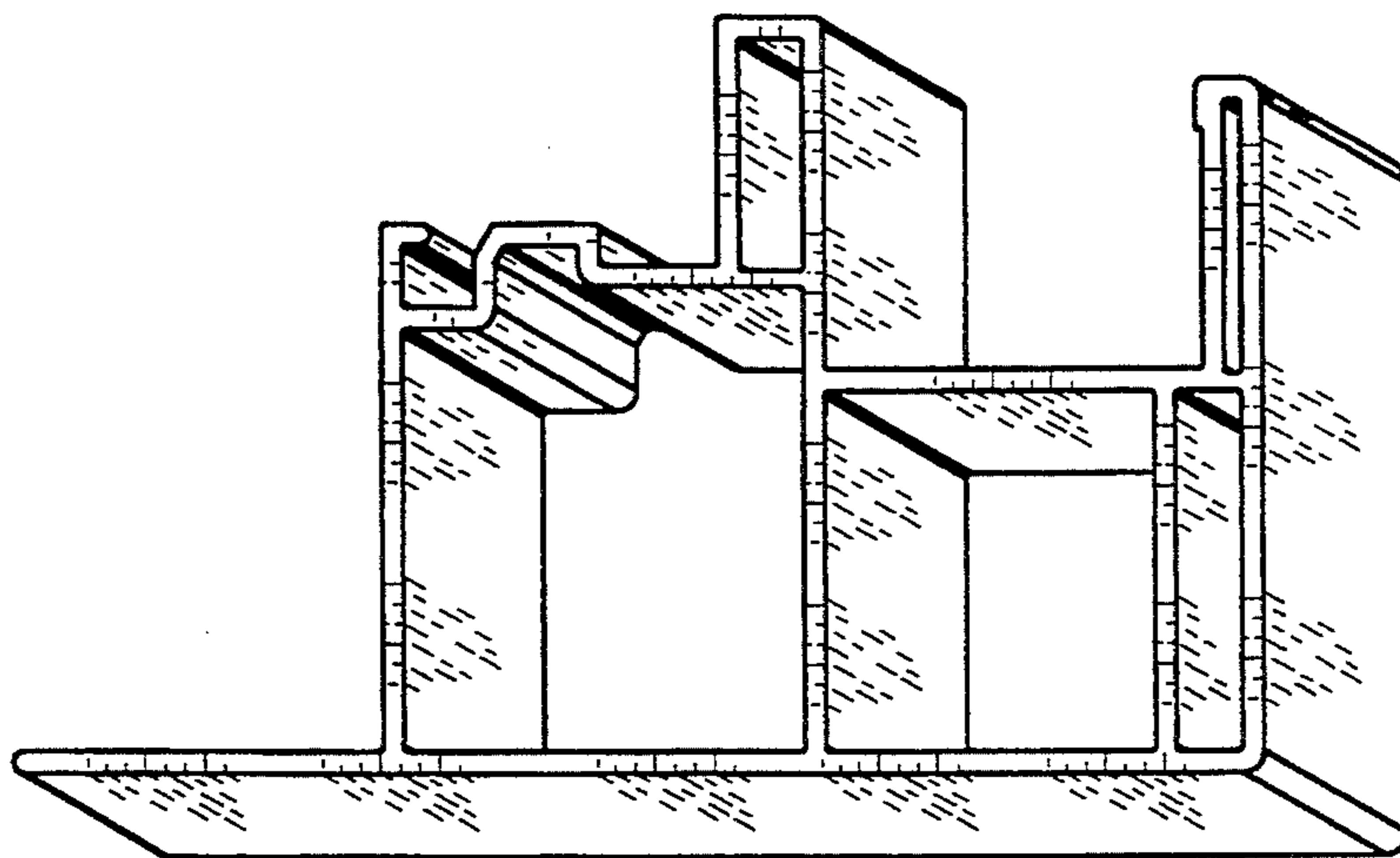


FIG. 2