



US00D359566S

United States Patent [19]
Schrader

[11] **Patent Number: Des. 359,566**

[45] **Date of Patent: ** Jun. 20, 1995**

[54] **WINDOW COMPONENT EXTRUSION**

[56] **References Cited**

U.S. PATENT DOCUMENTS

[75] **Inventor: Robert A. Schrader, Puyallup, Wash.**

D. 344,354	2/1994	Cole	D25/124
D. 347,286	5/1994	Bancroft	D25/124
3,796,008	3/1974	Eakin	49/504
4,128,934	12/1978	Doring	52/730.3

[73] **Assignee: Mikron Industries, Kent, Wash.**

Primary Examiner—Doris Clark
Attorney, Agent, or Firm—Seed and Berry

[**] **Term: 14 Years**

[57] **CLAIM**

[21] **Appl. No.: 27,812**

The ornamental design for a window component extrusion, as shown and described.

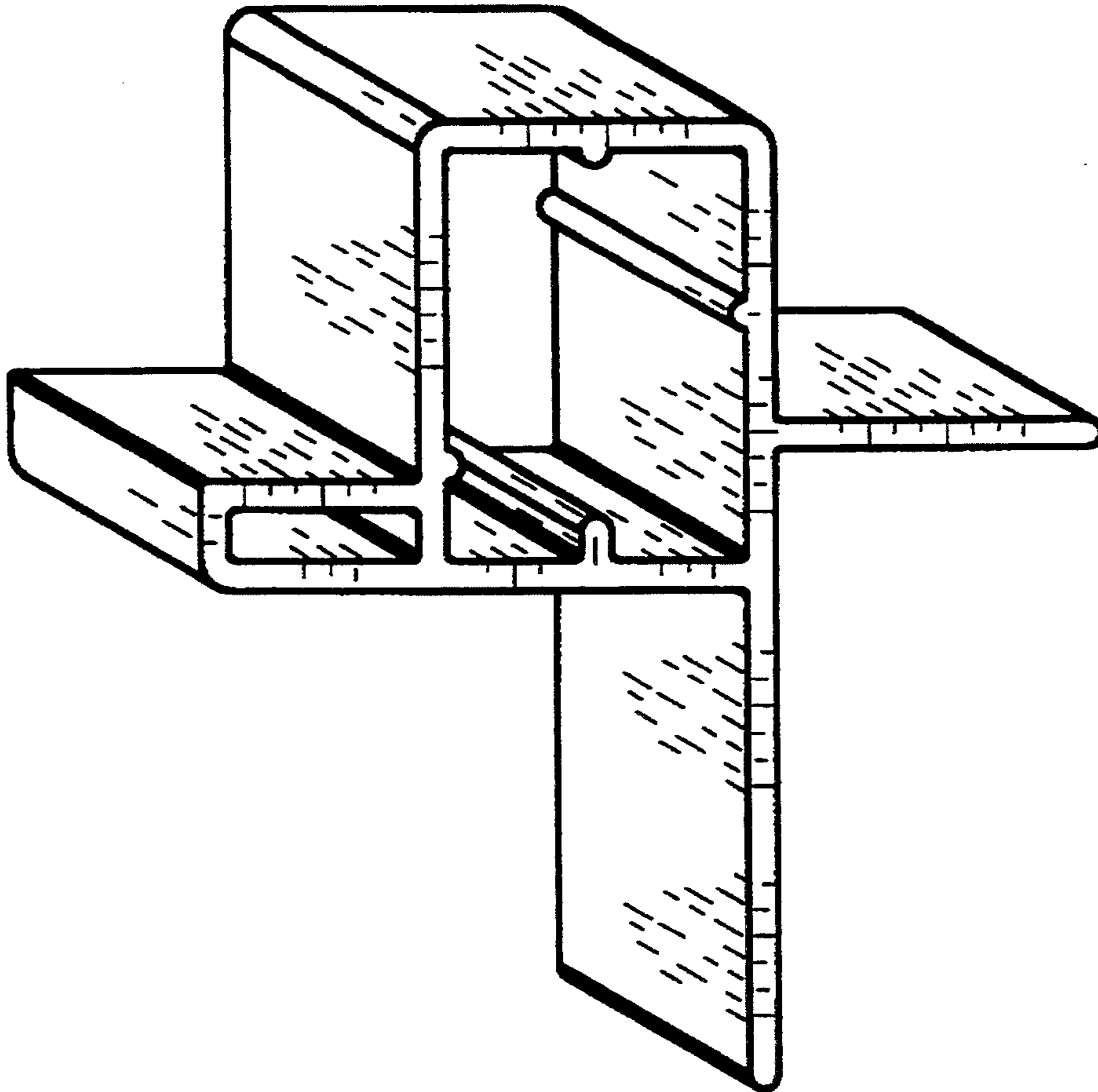
[22] **Filed: Aug. 30, 1994**

DESCRIPTION

[52] **U.S. Cl. D25/124; D25/125**

[58] **Field of Search D25/121-125, D25/60, 52; 49/DIG. 2, 504-505, 501; 52/204.5, 205.1, 204.56, 204.51, 730.3**

FIG. 1 is a top right perspective view of a window component extrusion showing my new design, the window component extrusion being of indefinite length; and, FIG. 2 is a bottom left perspective view thereof.



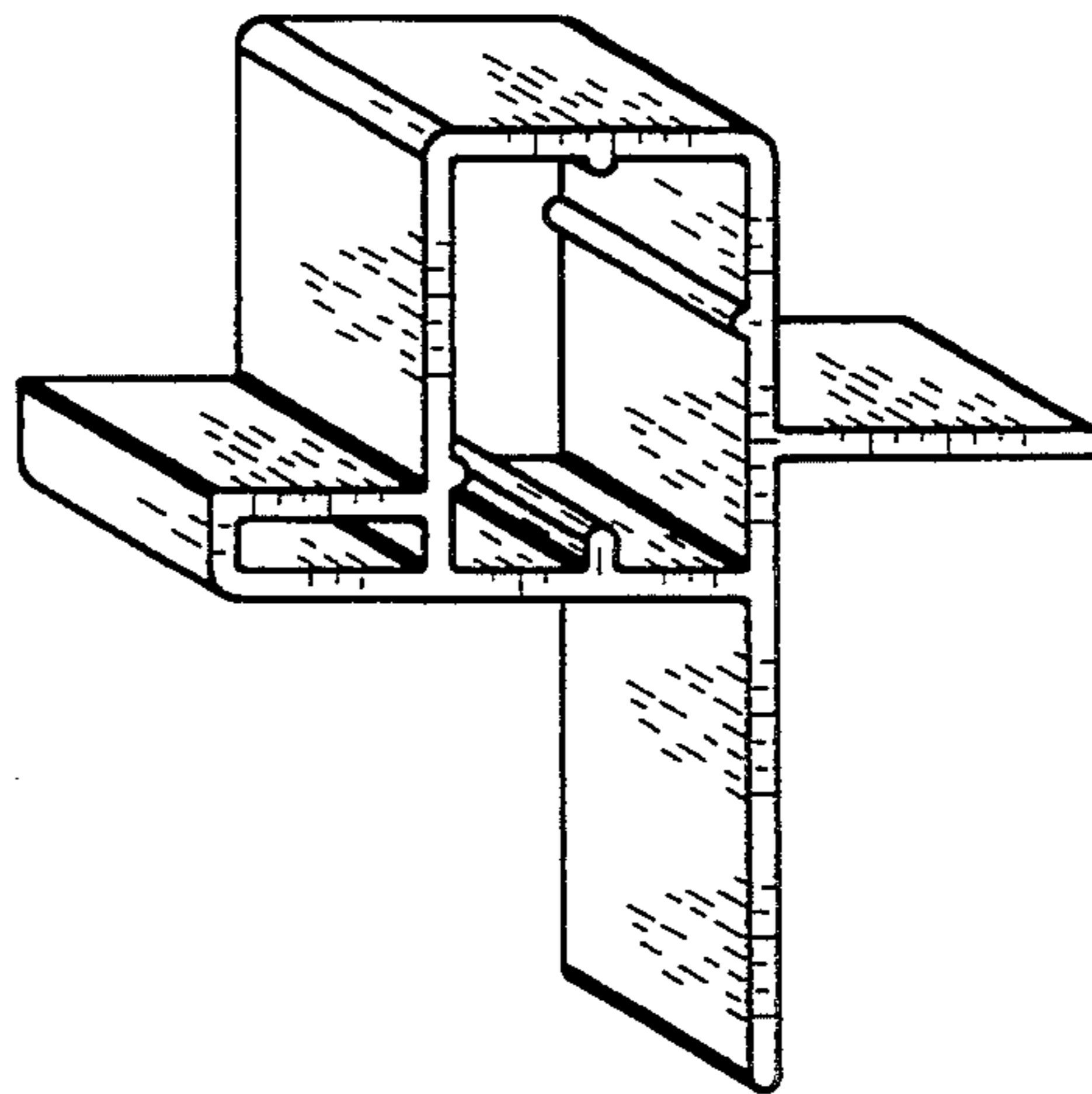


FIG. 1

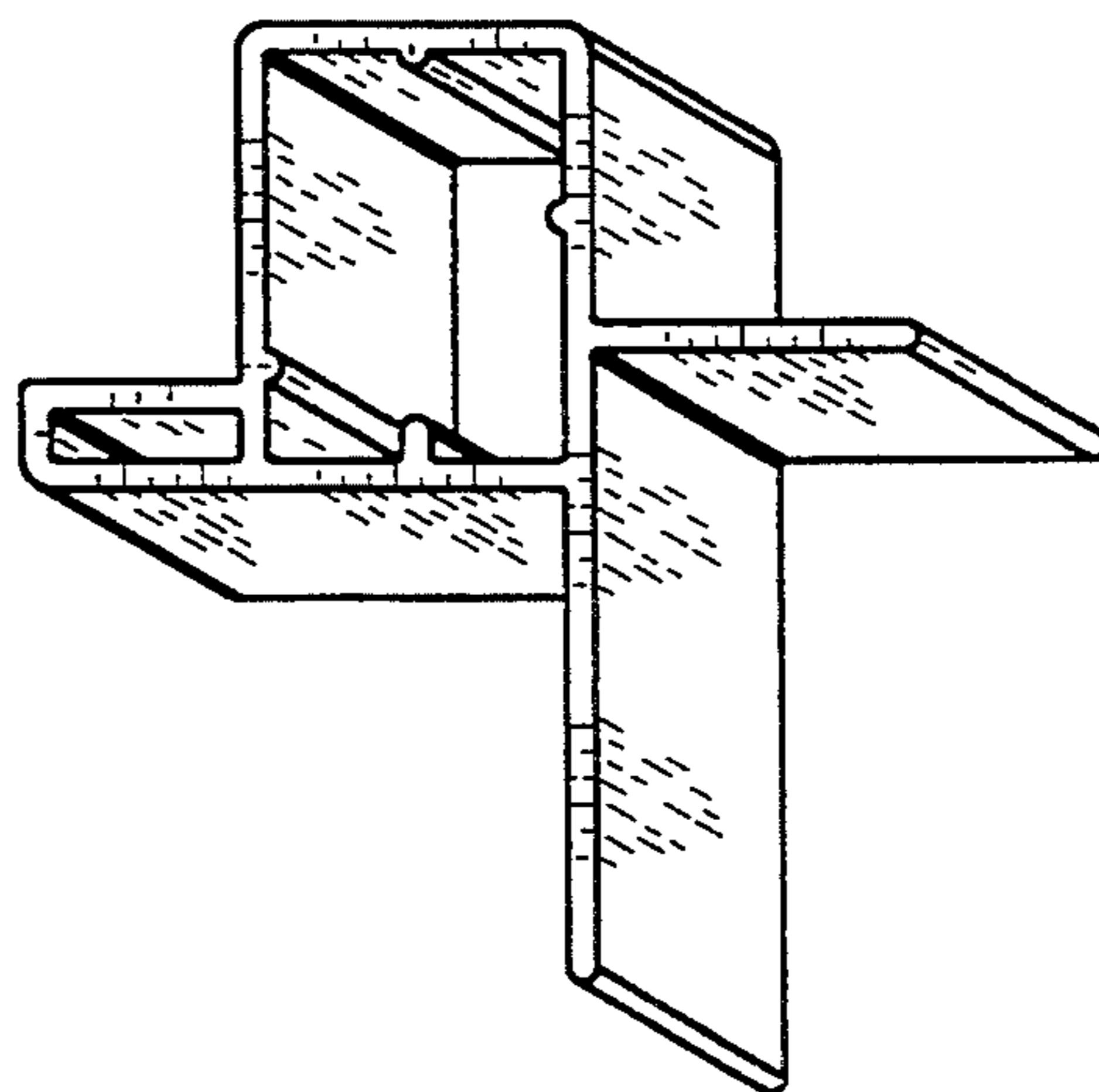


FIG. 2