



US00D359559S

United States Patent [19]

[11] Patent Number: **Des. 359,559**

Hawkins

[45] Date of Patent: **** Jun. 20, 1995**

[54] DARKENING ISOLETTE COVER

[56] References Cited

[76] Inventor: **Marilyn Hawkins, 6856 Sharon Dr.,
Urbandale, Iowa 50322**

U.S. PATENT DOCUMENTS

3,265,059 8/1966 Matthews 600/21
4,366,809 1/1983 Trexler 600/21

[**] Term: **14 Years**

Primary Examiner—Stella Reid
Attorney, Agent, or Firm—James D. Birkenholz

[21] Appl. No.: **15,133**

[57] CLAIM

The ornamental design of a darkening isolette cover, as shown.

[22] Filed: **Nov. 9, 1993**

[52] U.S. Cl. **D24/163**

[58] Field of Search D24/163; 600/22, 21;
D6/595, 601

DESCRIPTION

FIG. 1 is a top perspective view of the darkening isolette cover;
FIG. 2 is a perspective view of the invention in use;
FIG. 3 is a top plan view of the invention; and,
FIG. 4 is a bottom plan view of the invention.

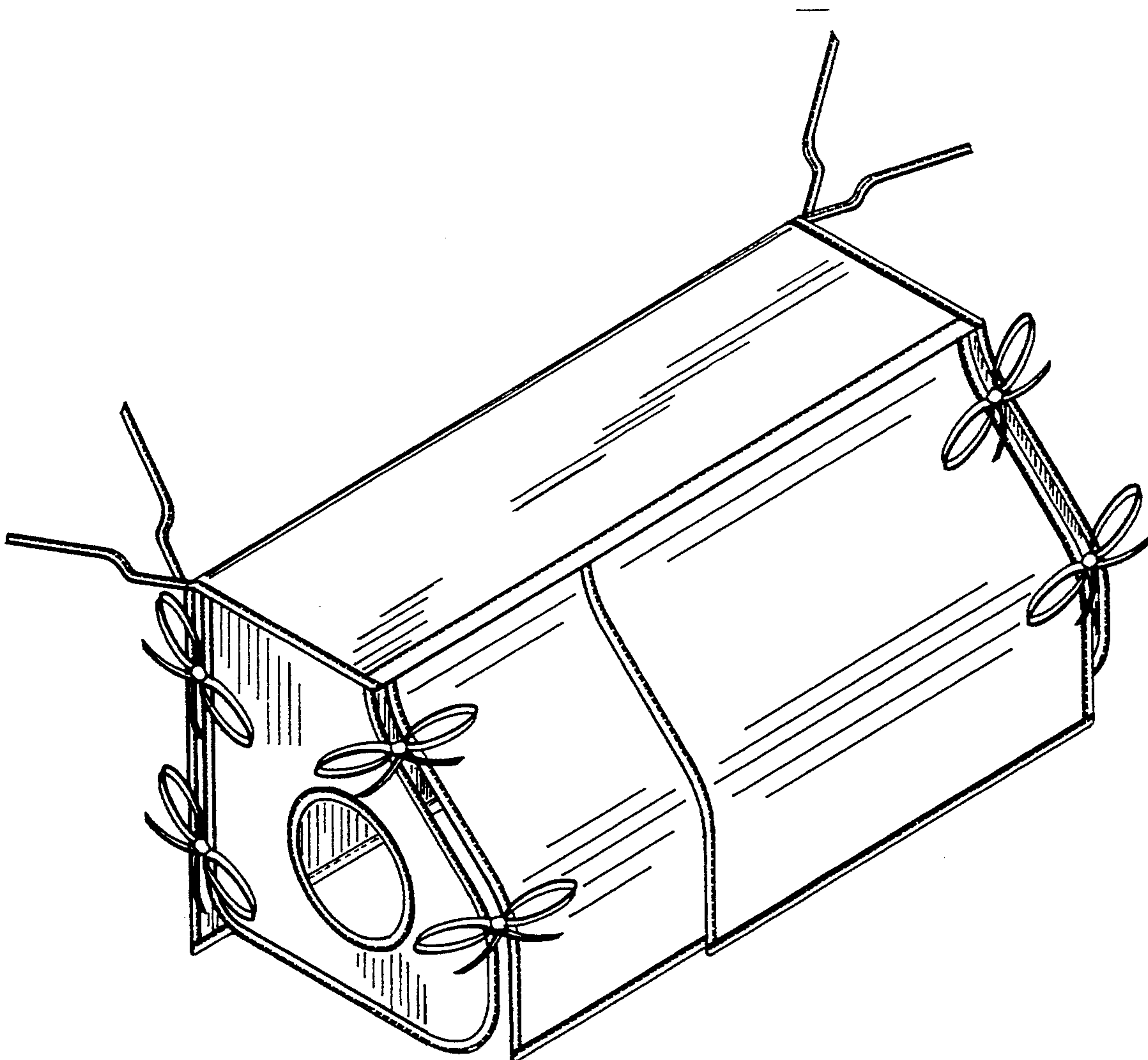


FIG. 1

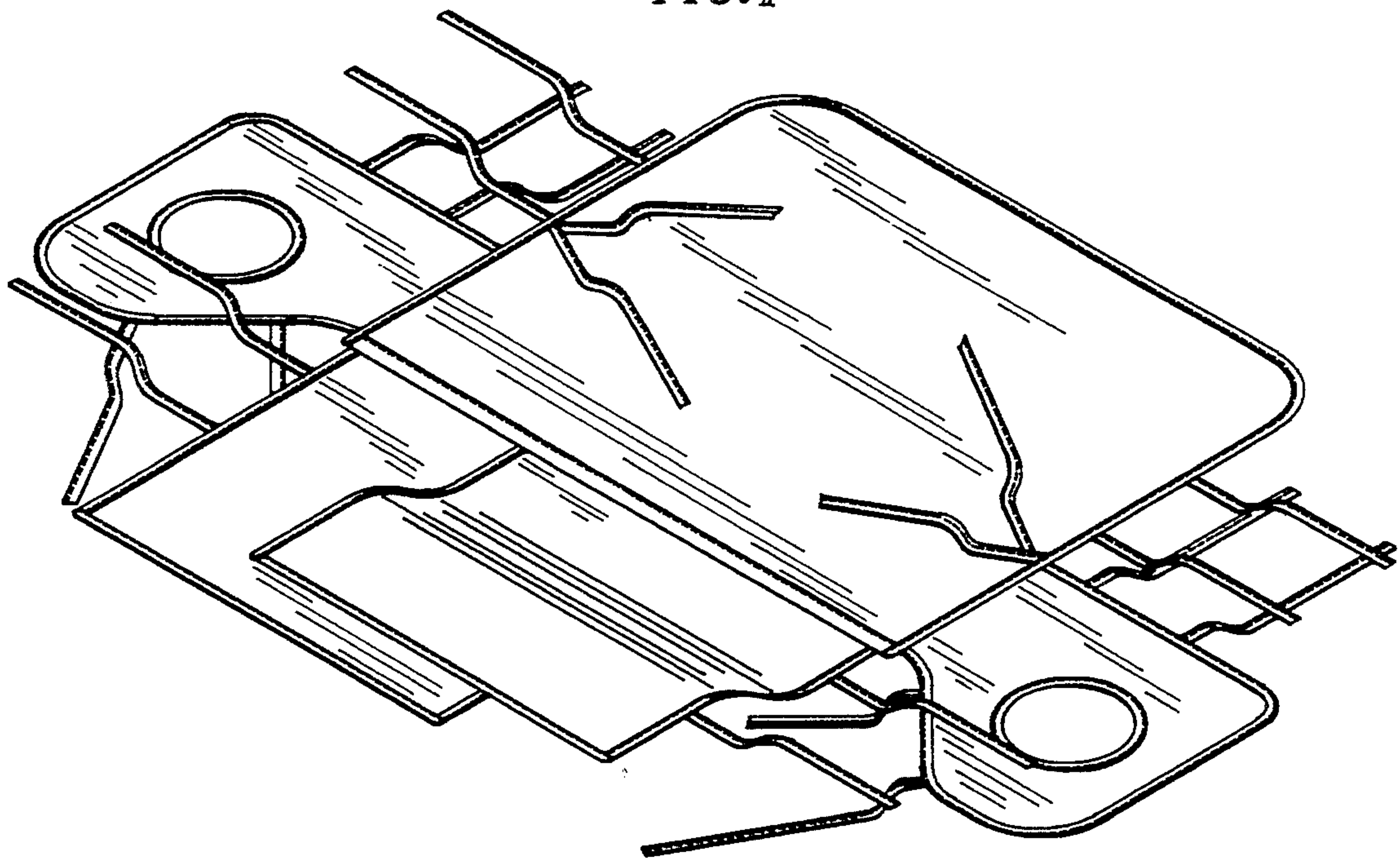


FIG. 2

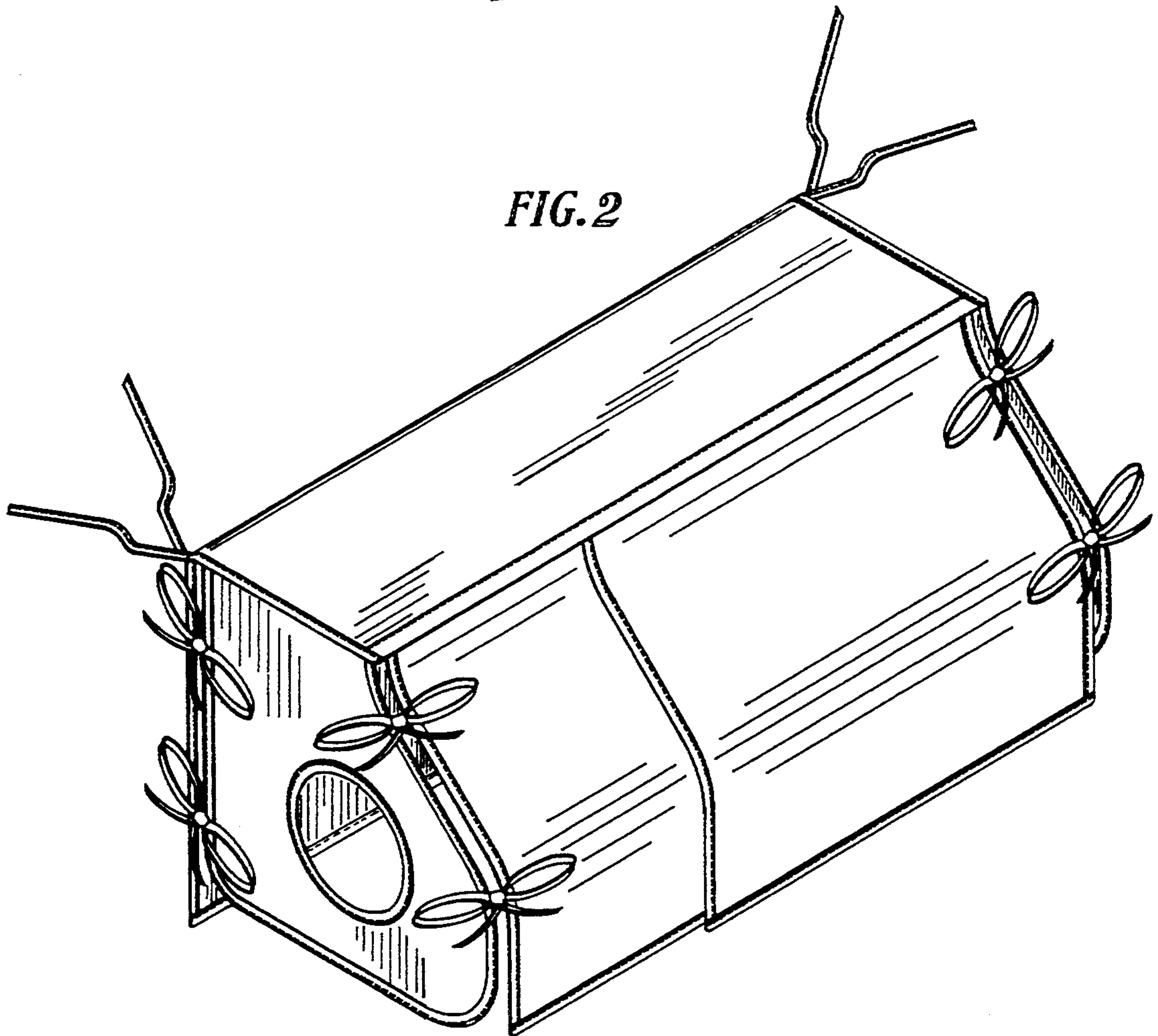


FIG. 3

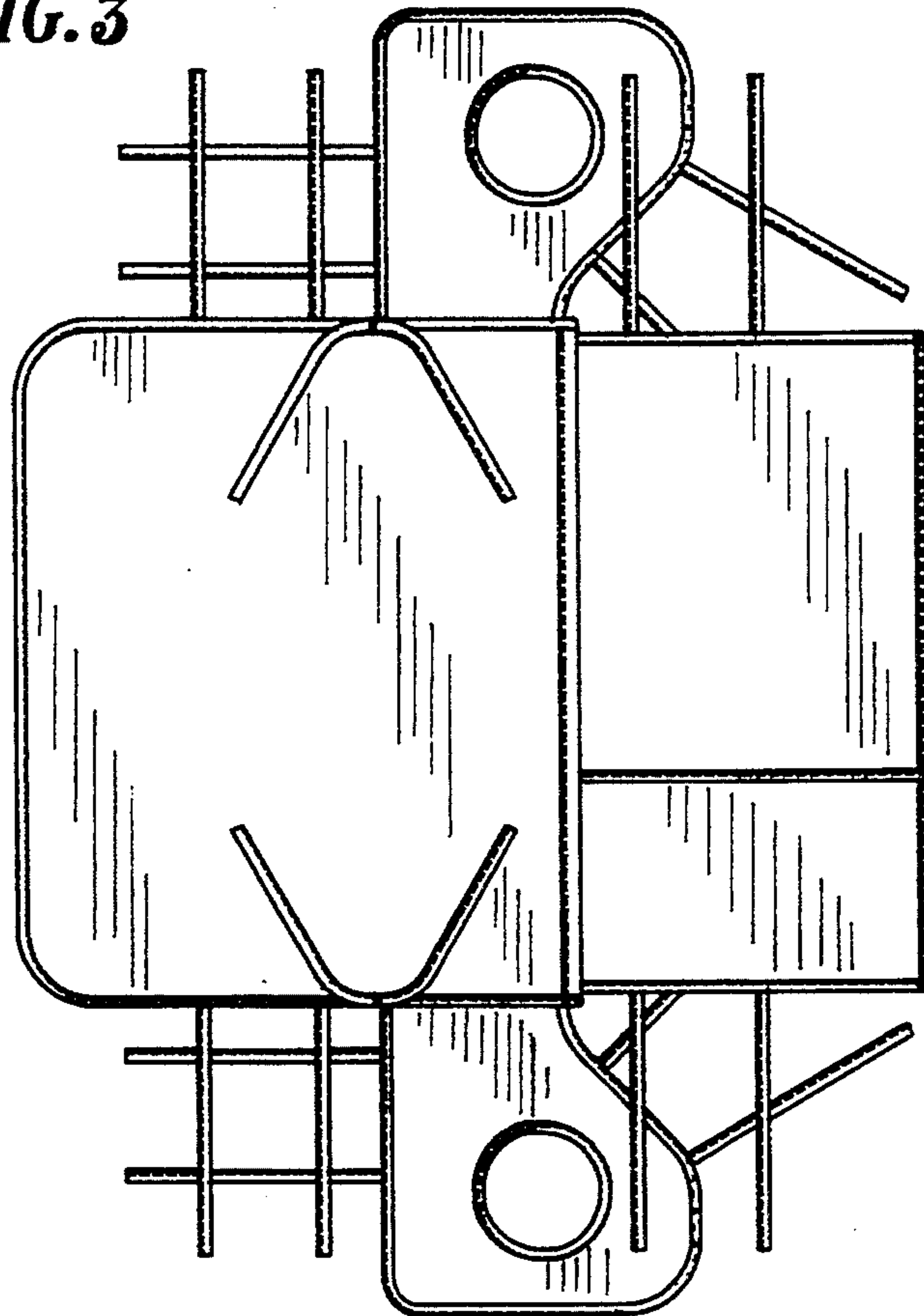


FIG. 4

