



US00D359553S

United States Patent [19]

[11] Patent Number: **Des. 359,553**

Hsi

[45] Date of Patent: **** Jun. 20, 1995**

[54] **COMBINED CEILING FAN AND LIGHT IN THE FORM OF A HELICOPTER**

[56] **References Cited**

U.S. PATENT DOCUMENTS

[75] Inventor: **Chang P. Hsi, Chang Hua Hsien, Taiwan, Prov. of China**

D. 295,430	4/1988	Smith	D23/377
D. 341,194	11/1993	Reid et al.	D23/379
4,916,445	4/1990	Crossley	416/5
5,286,170	2/1994	Brannon	416/247 R

[73] Assignee: **Anchors Manufacturing Co., Ltd., Chang Hua Hsien, Taiwan, Prov. of China**

Primary Examiner—Lisa P. Lichtenstein
Attorney, Agent, or Firm—Browdy and Neimark

[**] Term: **14 Years**

[57] CLAIM

The ornamental design for a combined ceiling fan and light in the form of a helicopter, as shown and described.

[21] Appl. No.: **25,987**

DESCRIPTION

[22] Filed: **Jul. 29, 1994**

FIG. 1 is a perspective view of a combined ceiling fan and light in the form of a helicopter of my new design; FIG. 2 is a front view thereof; FIG. 3 is a back side view thereof; FIG. 4 is a right side view thereof, the left side being a mirror image of that shown; FIG. 5 is a bottom view thereof; and, FIG. 6 is a top view thereof.

[52] U.S. Cl. **D23/377; D12/327; D21/90; D23/379; D23/385; D26/73**

[58] **Field of Search** **D23/377, 379, 385, 411, D23/413; D12/327; D21/90, 85, 86; D26/73, 97, 81-86, 59, 51, 72; 392/364; 416/5; 362/96, 294**

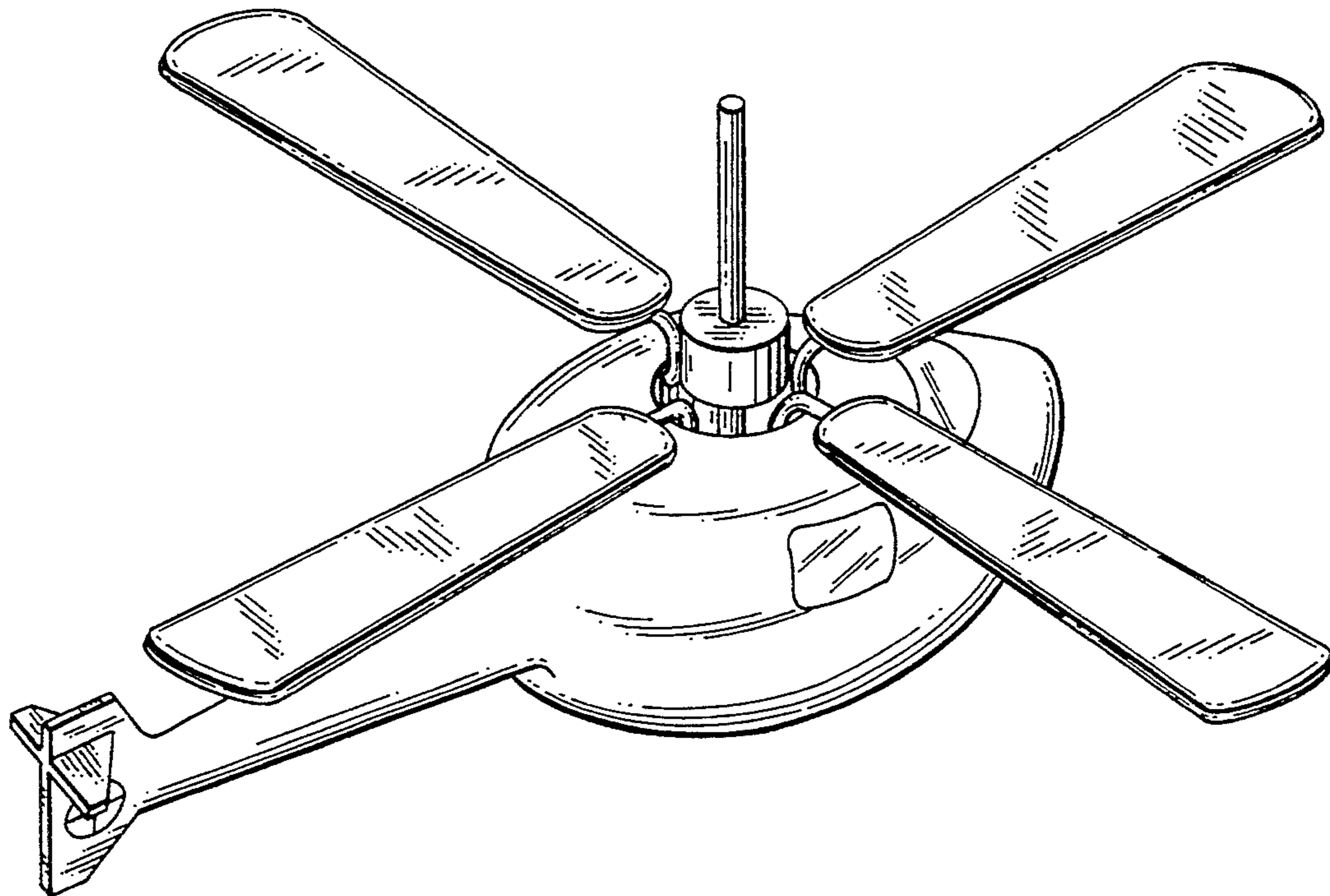


FIG. 1

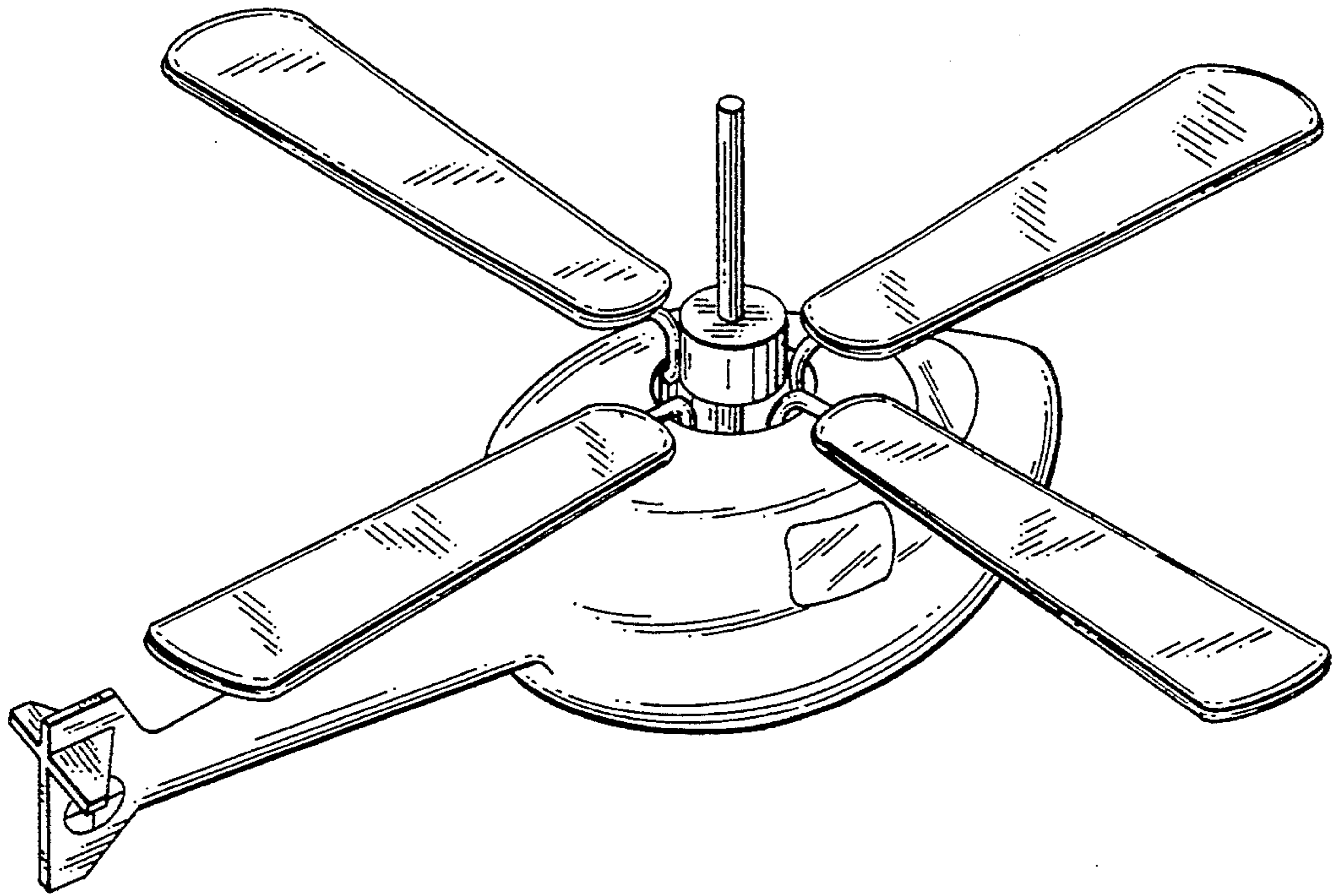


FIG. 2

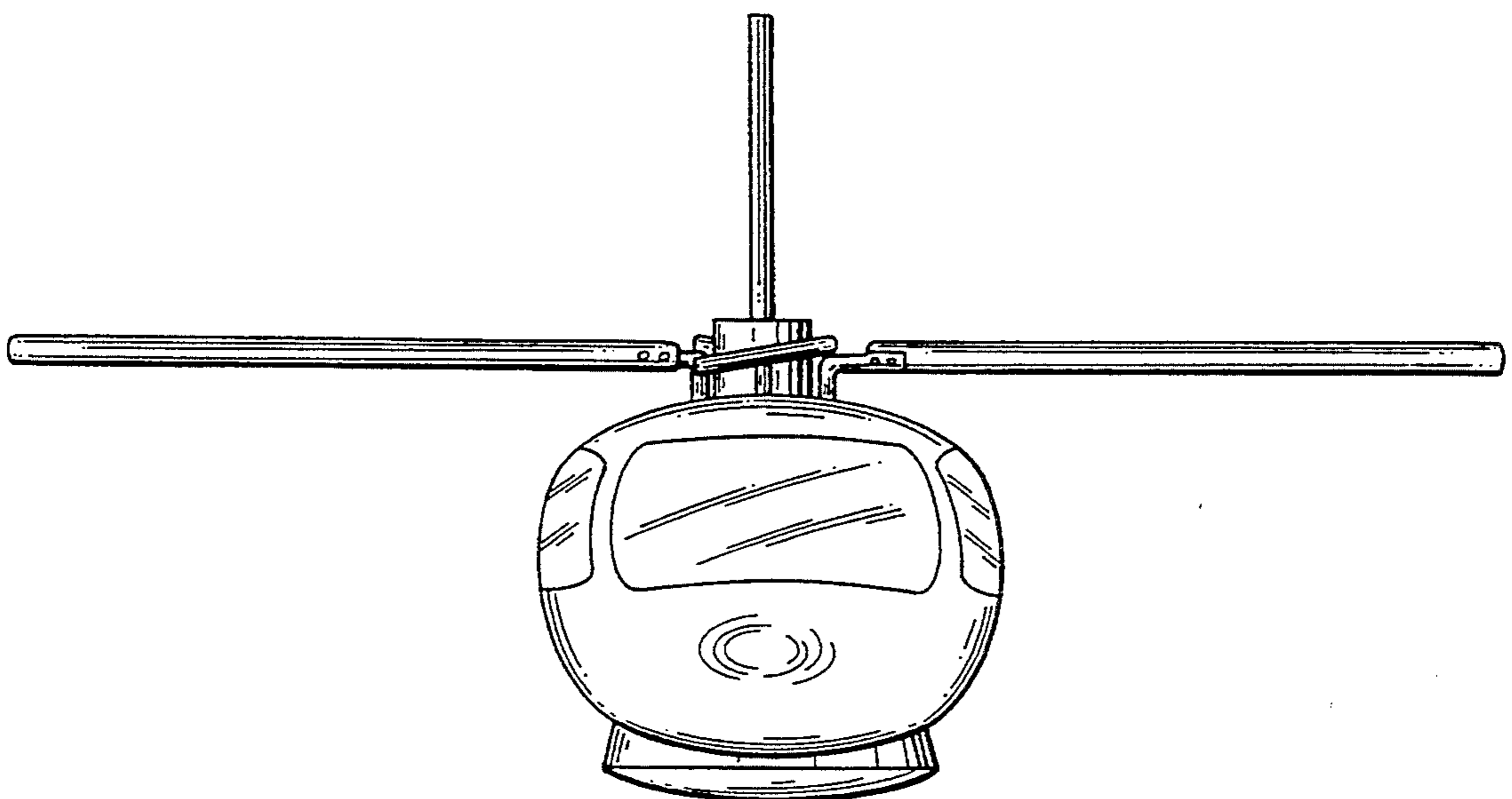


FIG. 3

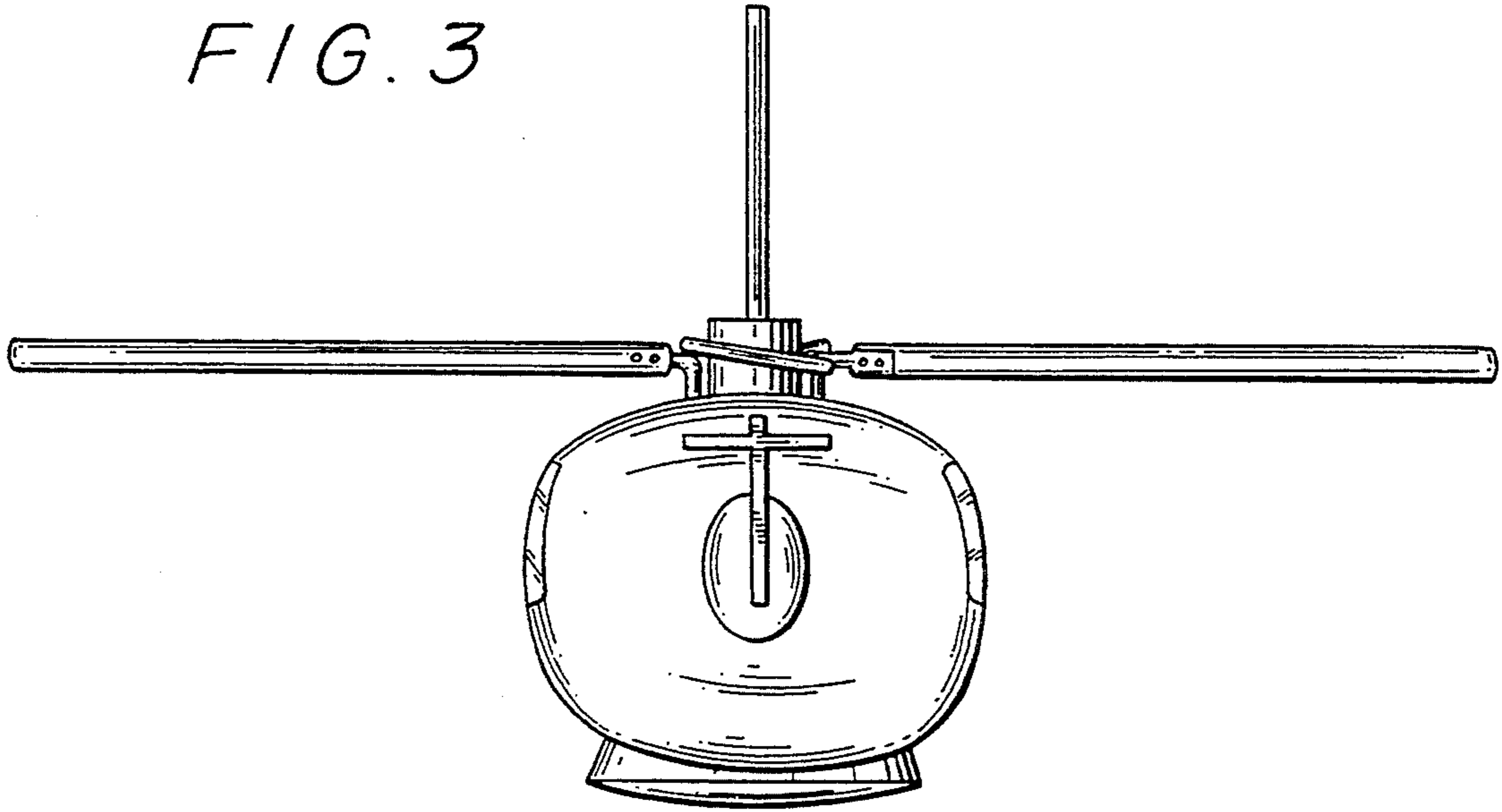


FIG. 4

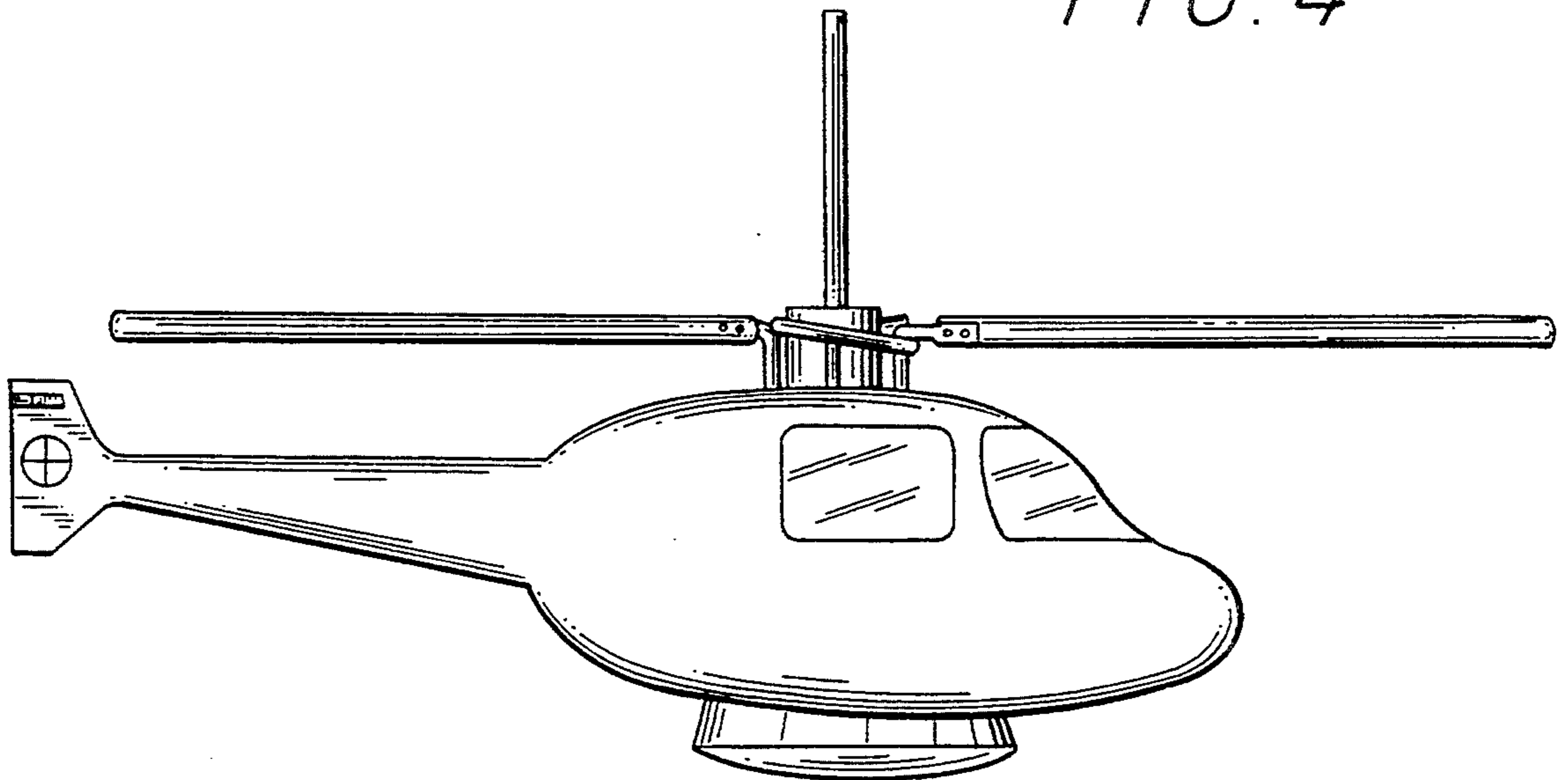


FIG. 5

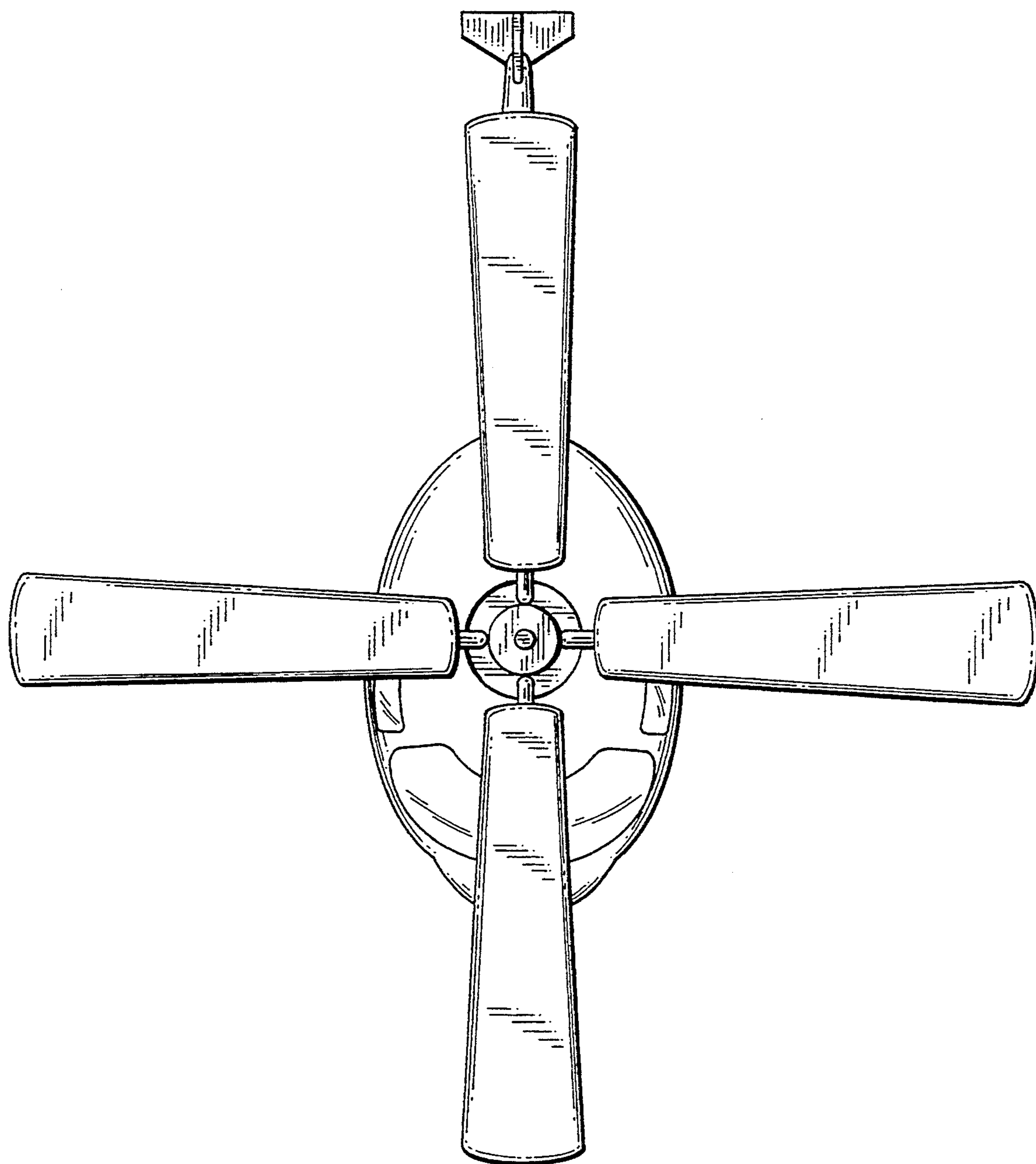


FIG. 6

