



US00D359550S

United States Patent [19]

[11] Patent Number: **Des. 359,550**

Chan

[45] Date of Patent: **** Jun. 20, 1995**

[54] **AUTO FAN HEATER**

D. 272,101 1/1984 Abe et al. D28/12
D. 326,511 5/1992 Chiang D23/328

[75] Inventor: **Yin L. Chan, Kowloon, Hong Kong**

Primary Examiner—Lisa P. Lichtenstein
Attorney, Agent, or Firm—Beveridge, DeGrandi,
Weilacher & Young

[73] Assignee: **Yuk Fat Enterprises Company,
Kowloon, Hong Kong**

[**] Term: **14 Years**

[57] **CLAIM**

[21] Appl. No.: **24,377**

The ornamental design for an auto fan heater, as shown
and described.

[22] Filed: **Jun. 13, 1994**

[52] U.S. Cl. **D23/324; D23/332;
D23/337**

DESCRIPTION

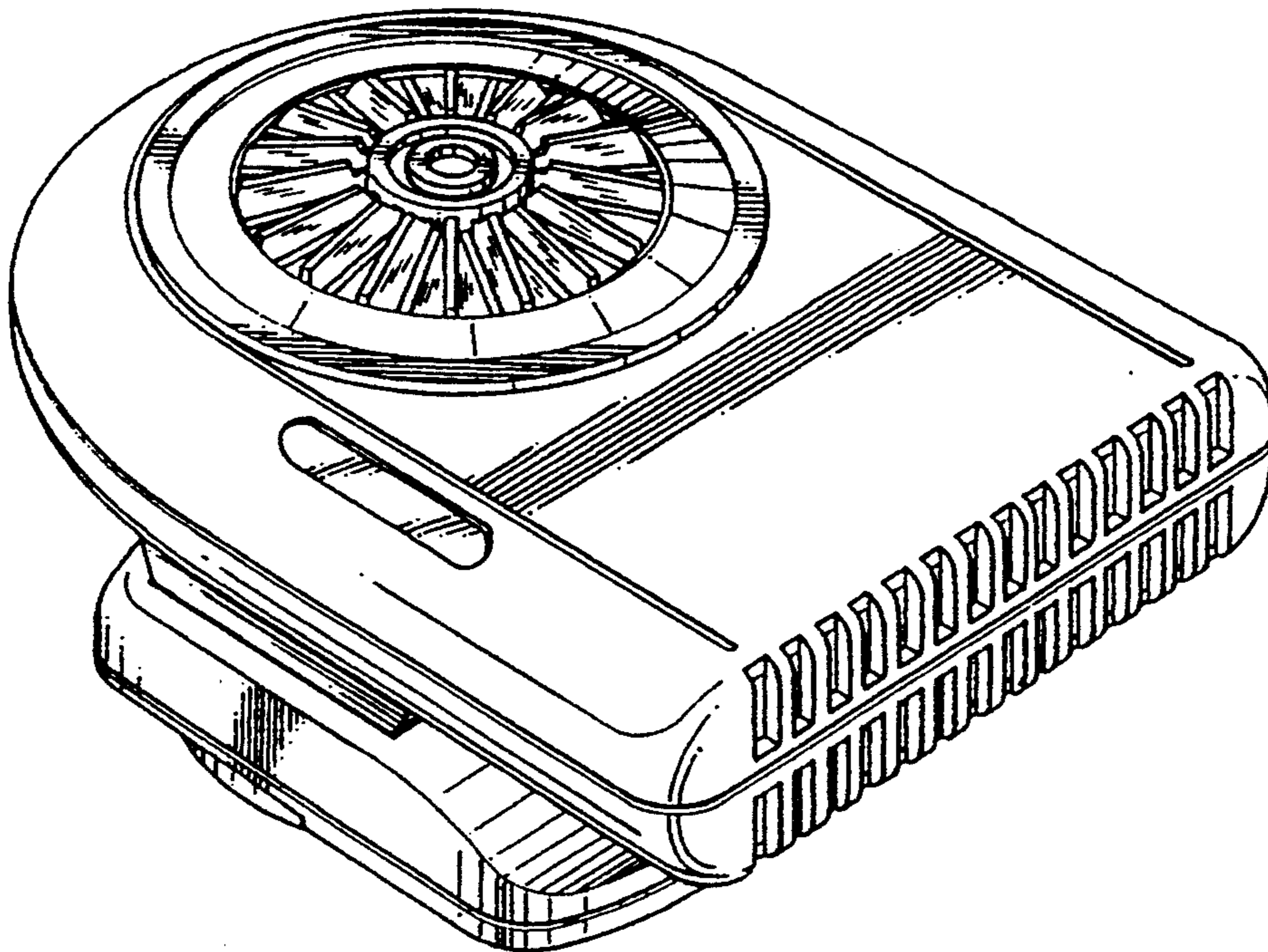
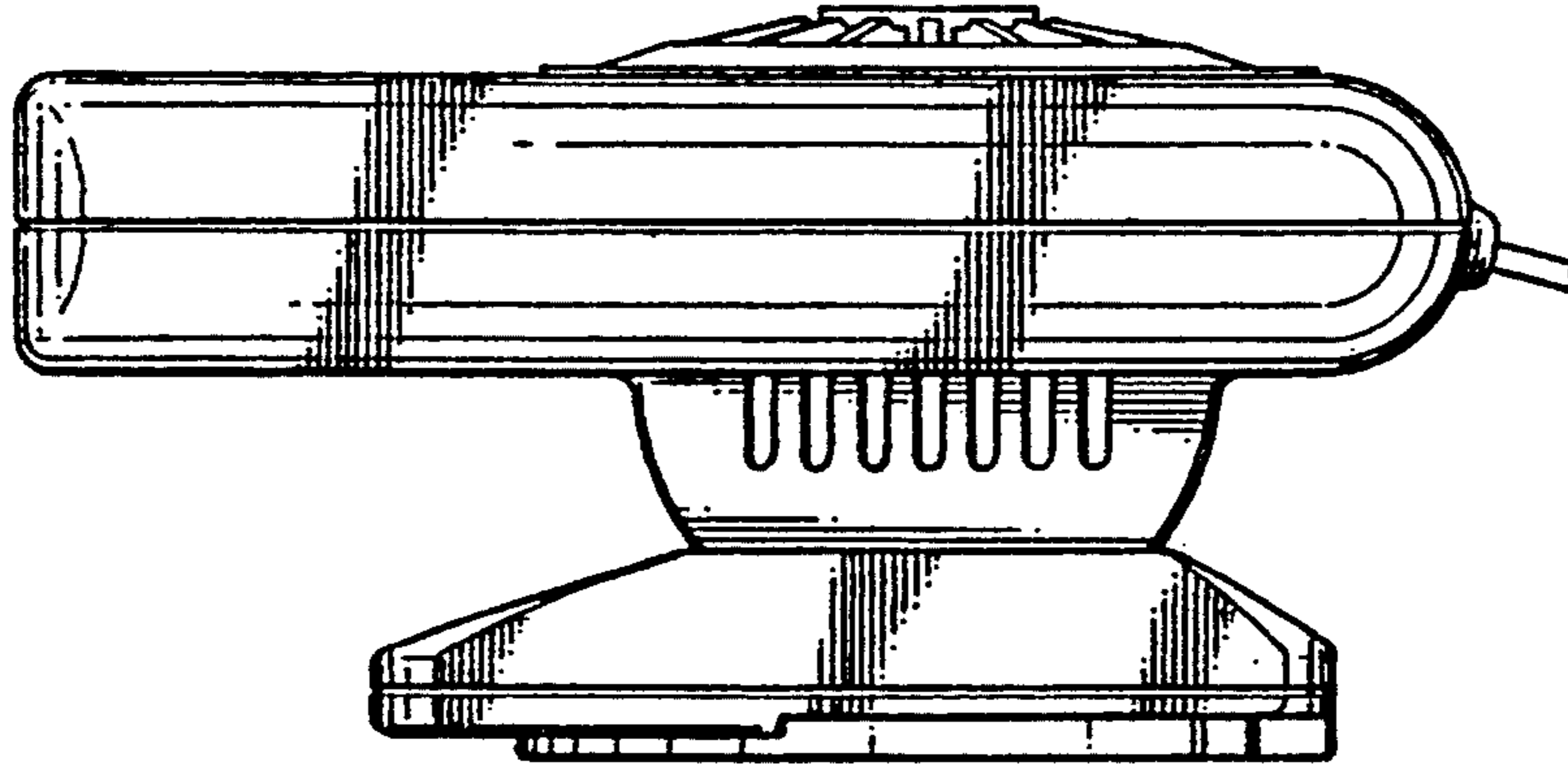
[58] Field of Search **D23/324, 328, 332, 335,
D23/337, 370, 381, 382; 392/365; D28/12, 15,
16, 13, 18, 17**

FIG. 1 is a front elevational view of an auto fan heater
showing my new design;
FIG. 2 is a rear elevational view thereof;
FIG. 3 is a left side elevational view thereof;
FIG. 4 is a right side elevational view thereof;
FIG. 5 is a top plan view thereof;
FIG. 6 is a bottom plan view thereof; and,
FIG. 7 is a perspective view thereof.

[56] **References Cited**

U.S. PATENT DOCUMENTS

D. 261,563 10/1981 Lee D28/13



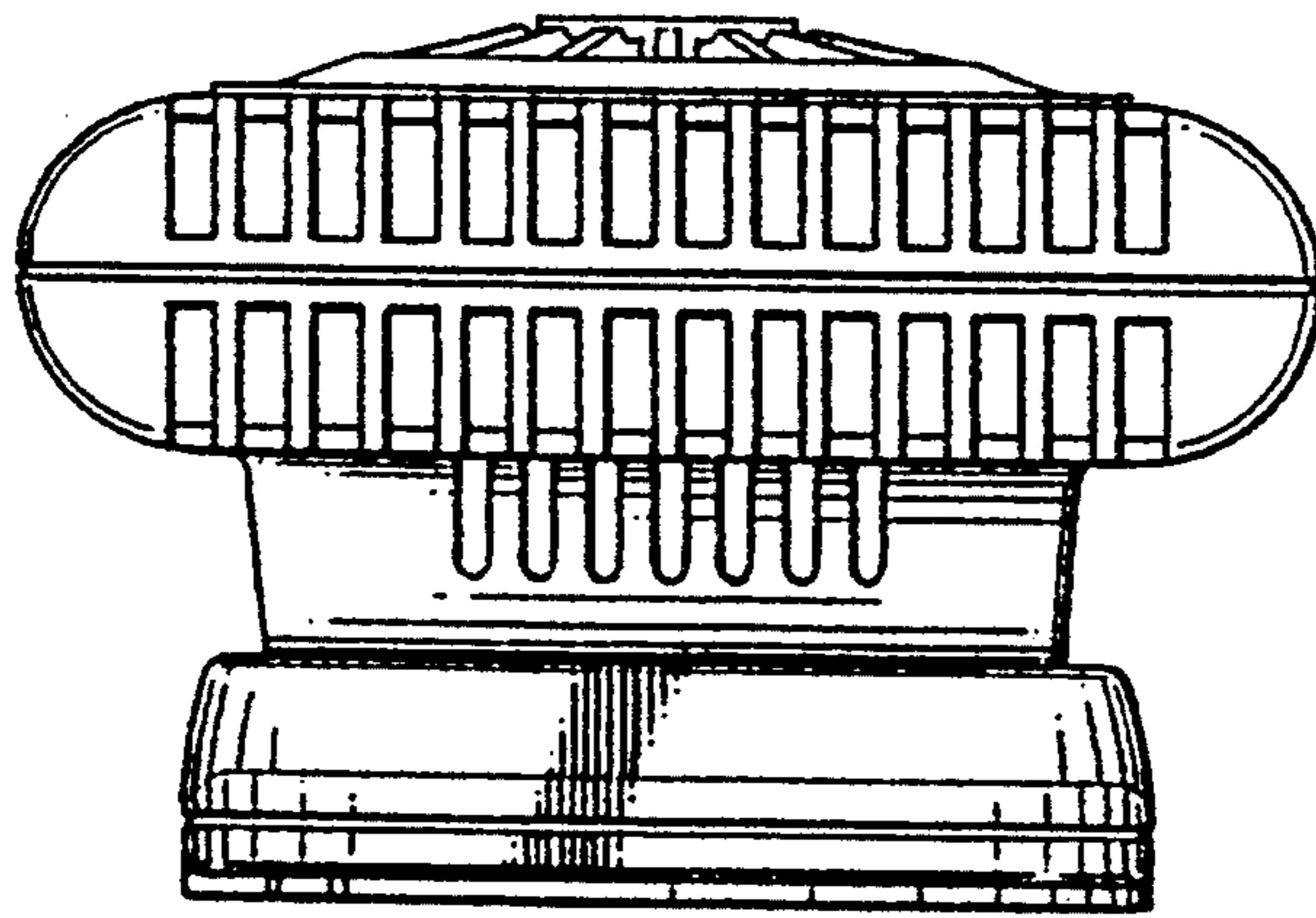


FIG. 1

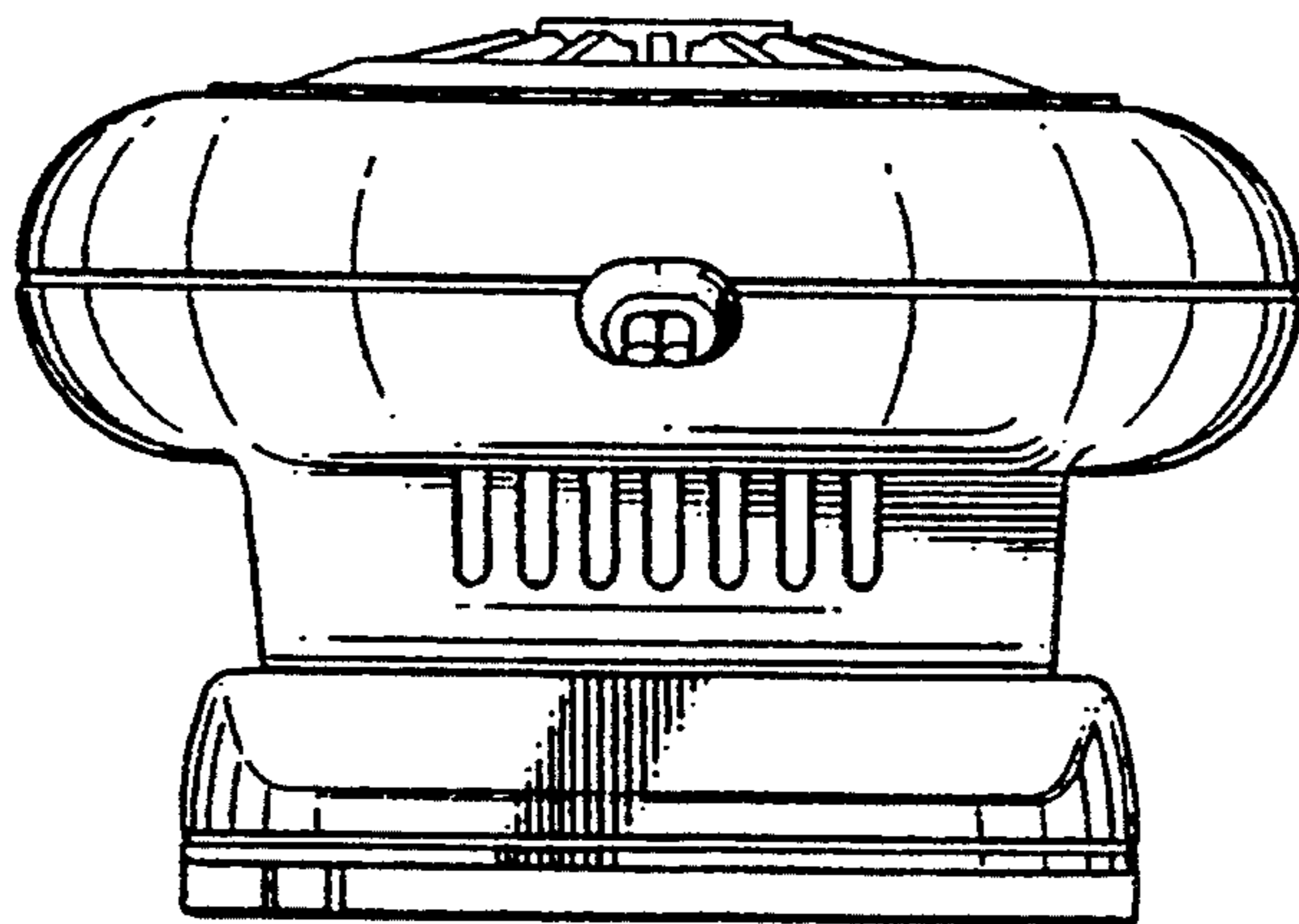


FIG. 2

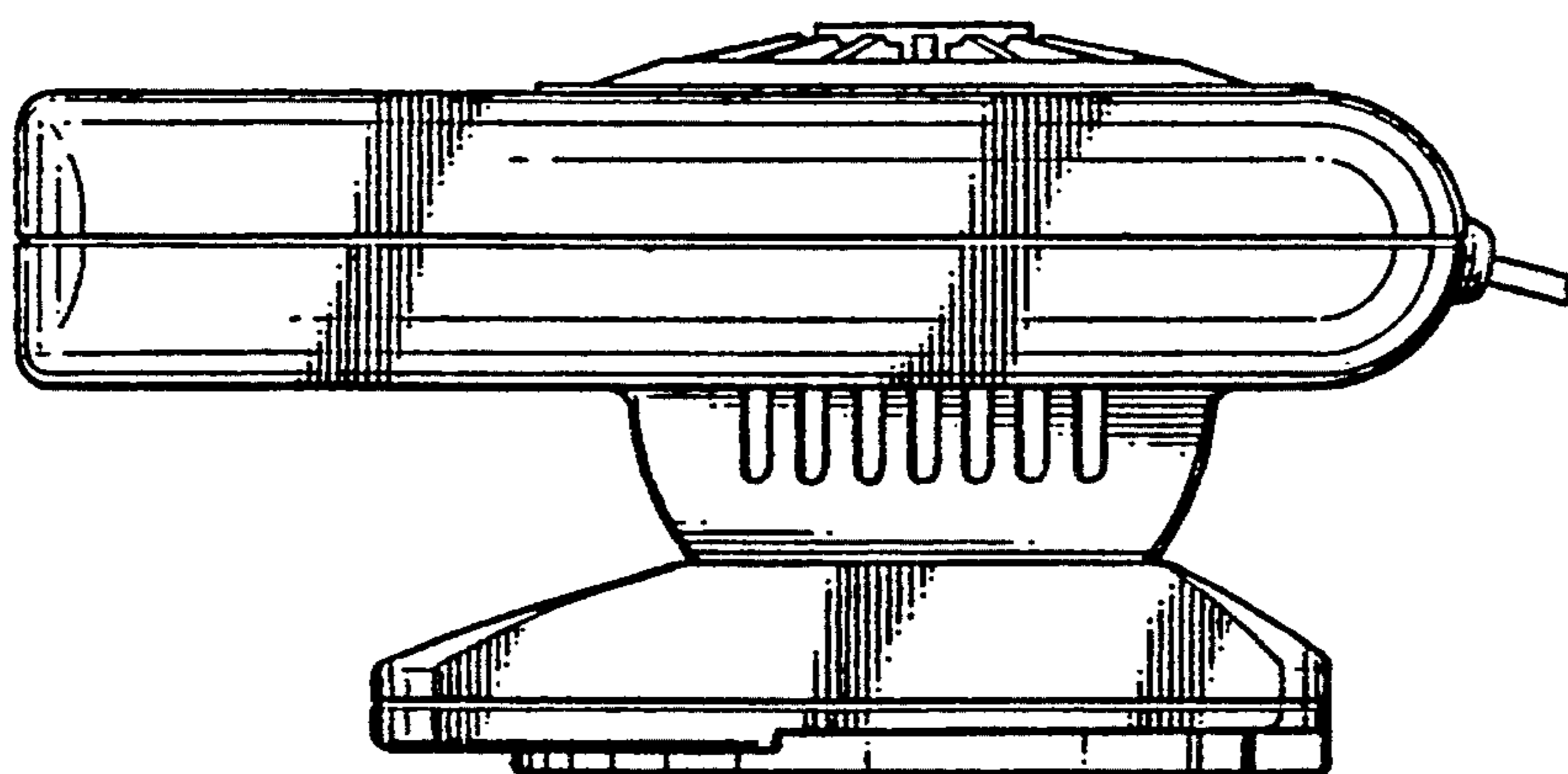


FIG. 3

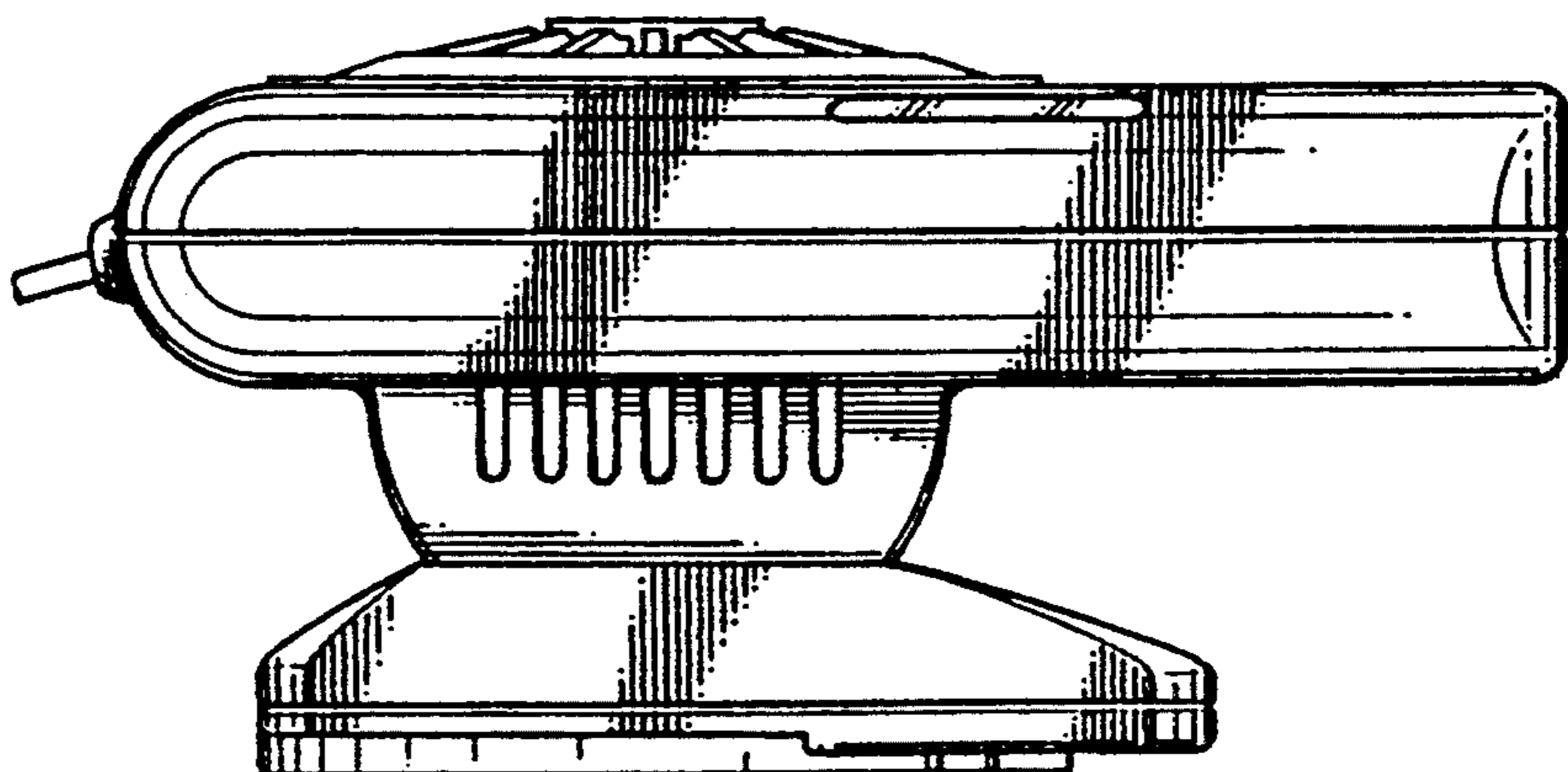


FIG. 4

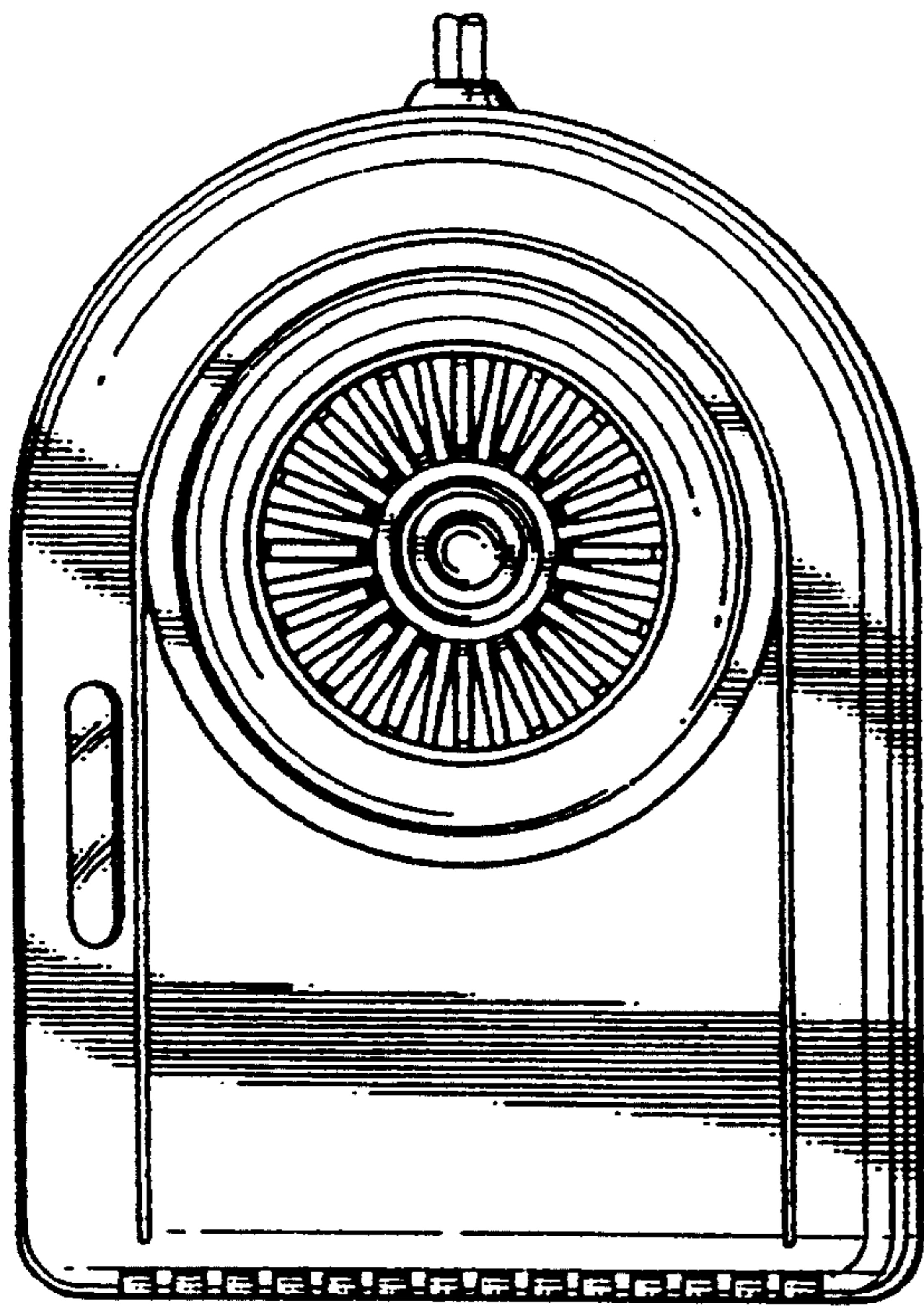


FIG. 5

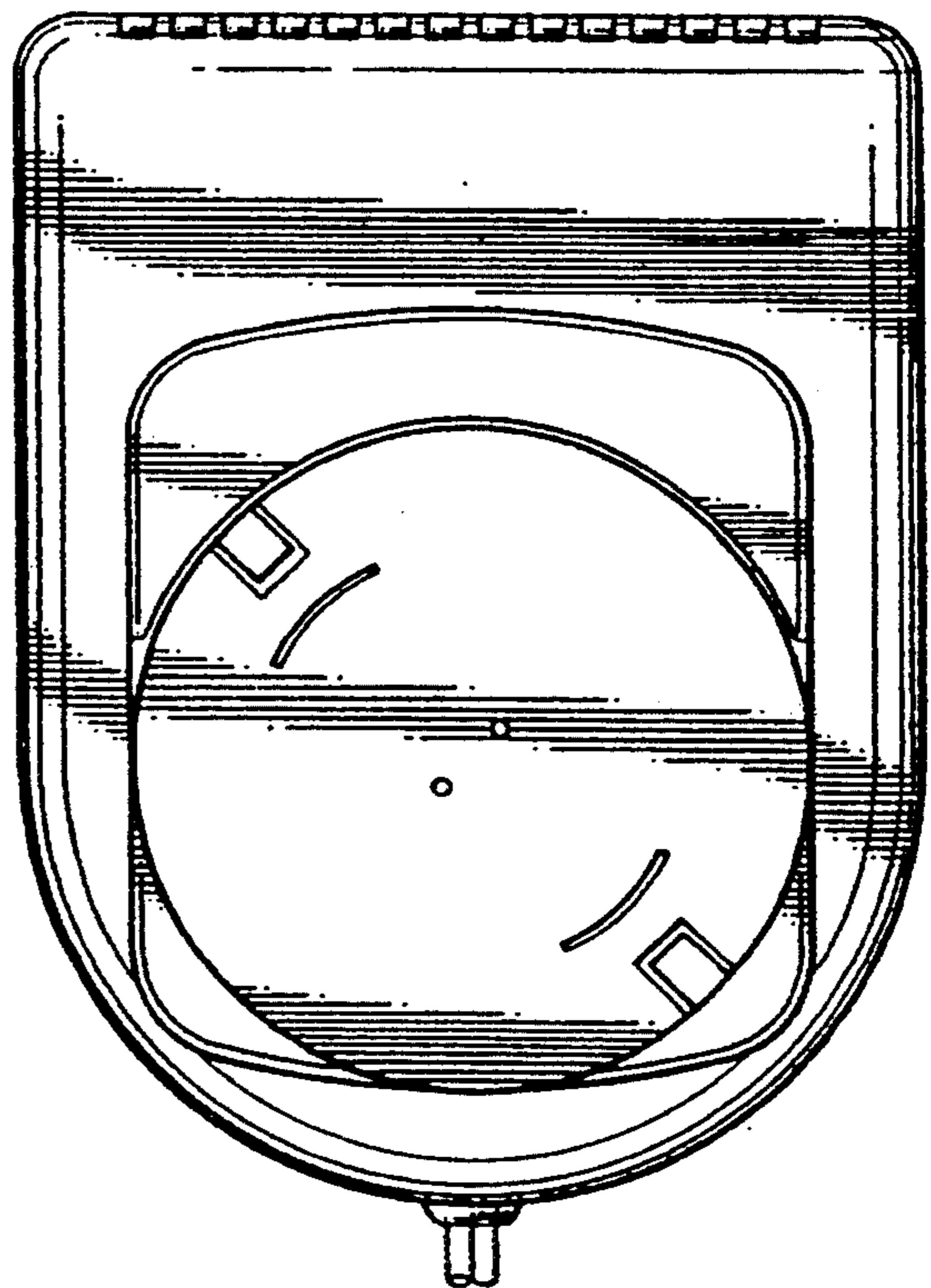


FIG. 6

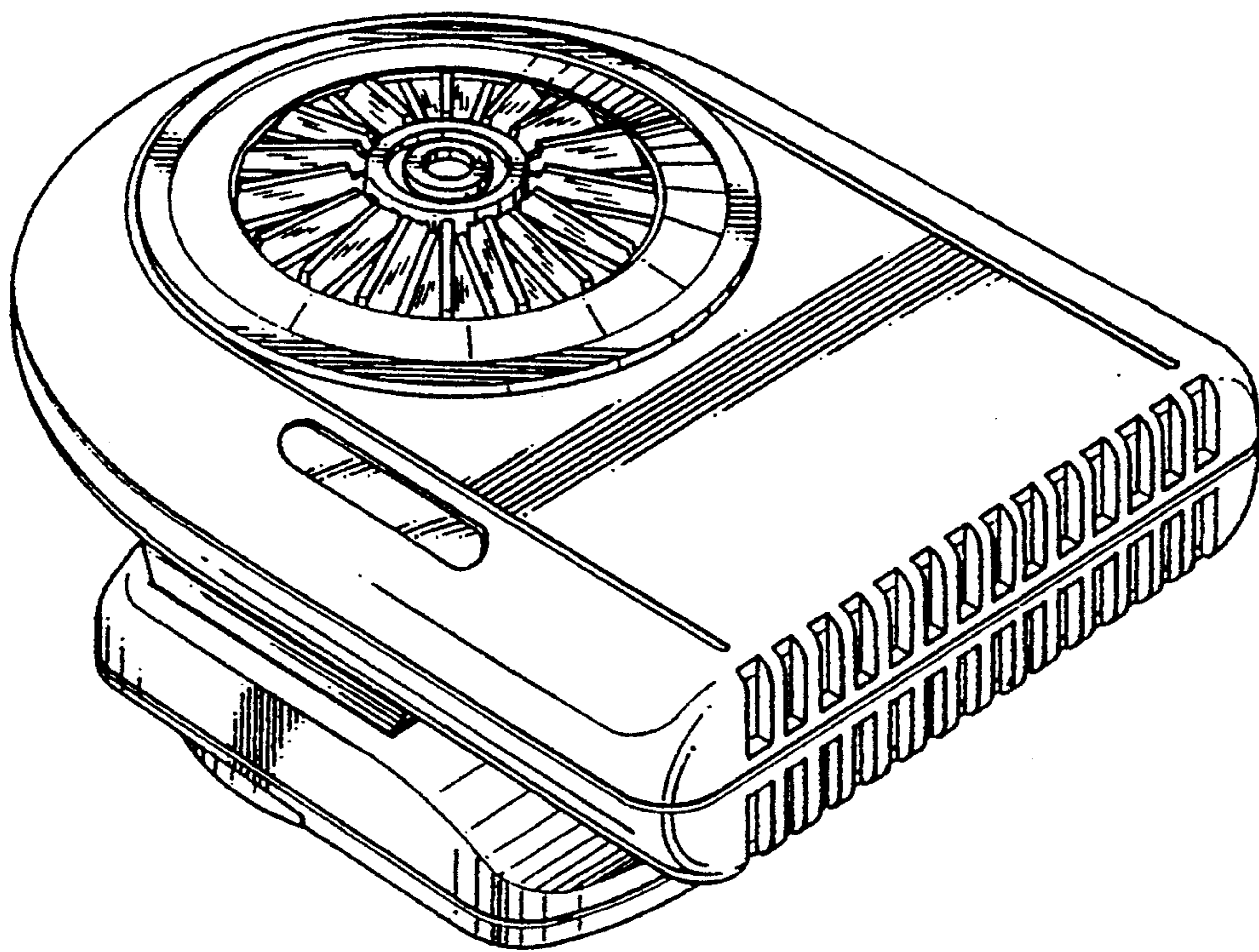


FIG. 7