



US00D359545S

United States Patent [19]

[11] Patent Number: **Des. 359,545**

Canler

[45] Date of Patent: **** Jun. 20, 1995**

[54] **FISHING WEIGHT**

[76] Inventor: **Bobby J. Canler**, 410 H. Gorrell Rd.,
Elkton, Ky. 42220

[**] Term: **14 Years**

[21] Appl. No.: **16,974**

[22] Filed: **Dec. 30, 1993**

[52] U.S. Cl. **D22/145; D22/146**

[58] Field of Search **D22/145, 146; 43/42.13,**
43/42.24, 42.36, 44.9, 43.12, 44.81, 43.1, 44.91,
44.96; 102/501, 503, 509, 510, 514

4,942,689 7/1990 Link et al. 43/42.24
 5,101,592 4/1992 Merritt 43/43.13
 5,157,860 10/1992 Clark 43/44.9

FOREIGN PATENT DOCUMENTS

1063984 5/1954 France 43/43.1
 1341256 9/1963 France 43/43.13
 805847 12/1958 United Kingdom 43/43.13

Primary Examiner—A. Hugo Word
Assistant Examiner—Doris V. Coles

[57] CLAIM

The ornamental design for the fishing weight, as shown and described.

[56] References Cited

U.S. PATENT DOCUMENTS

D. 284,686 7/1986 Hudson D22/145
 1,854,686 4/1932 Brubaker D21/145 X
 2,103,222 12/1937 Nelson 43/17 X
 2,591,558 4/1952 Kramer 43/44.9
 2,605,576 8/1952 Young, Jr. et al. 43/43.13
 3,029,544 4/1962 Dimatteo 43/44.9
 4,625,446 12/1986 Morimoto 43/17
 4,753,030 6/1988 Ziglinski 43/42.53

DESCRIPTION

FIG. 1 is a front elevational view of the fishing weight showing my new design;
 FIG. 2 is a rear elevational view thereof;
 FIG. 3 is a left side elevational view thereof;
 FIG. 4 is a right side elevational view thereof;
 FIG. 5 is a top plan view thereof; and,
 FIG. 6 is a bottom plan view thereof.

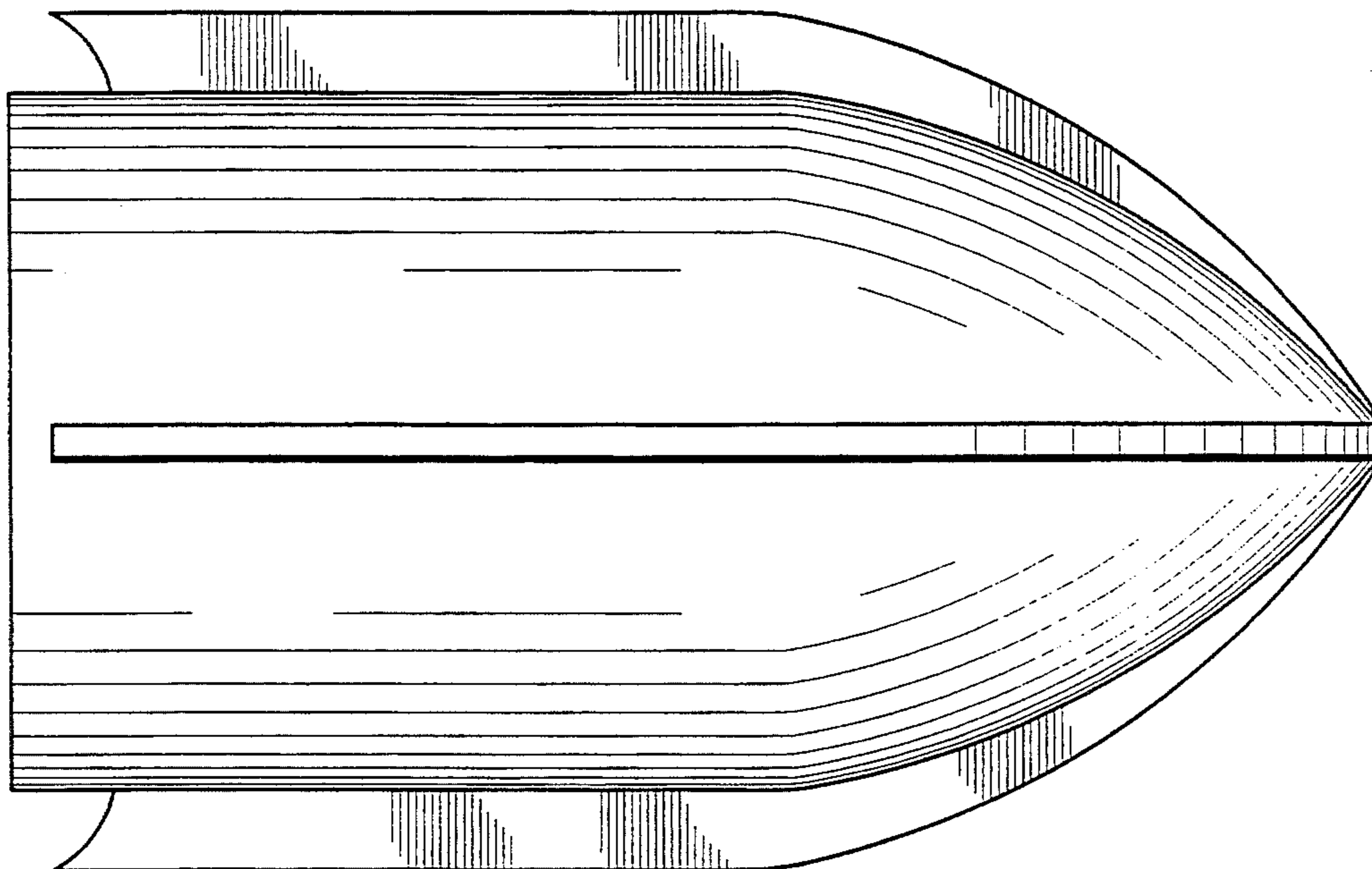


FIG. 1

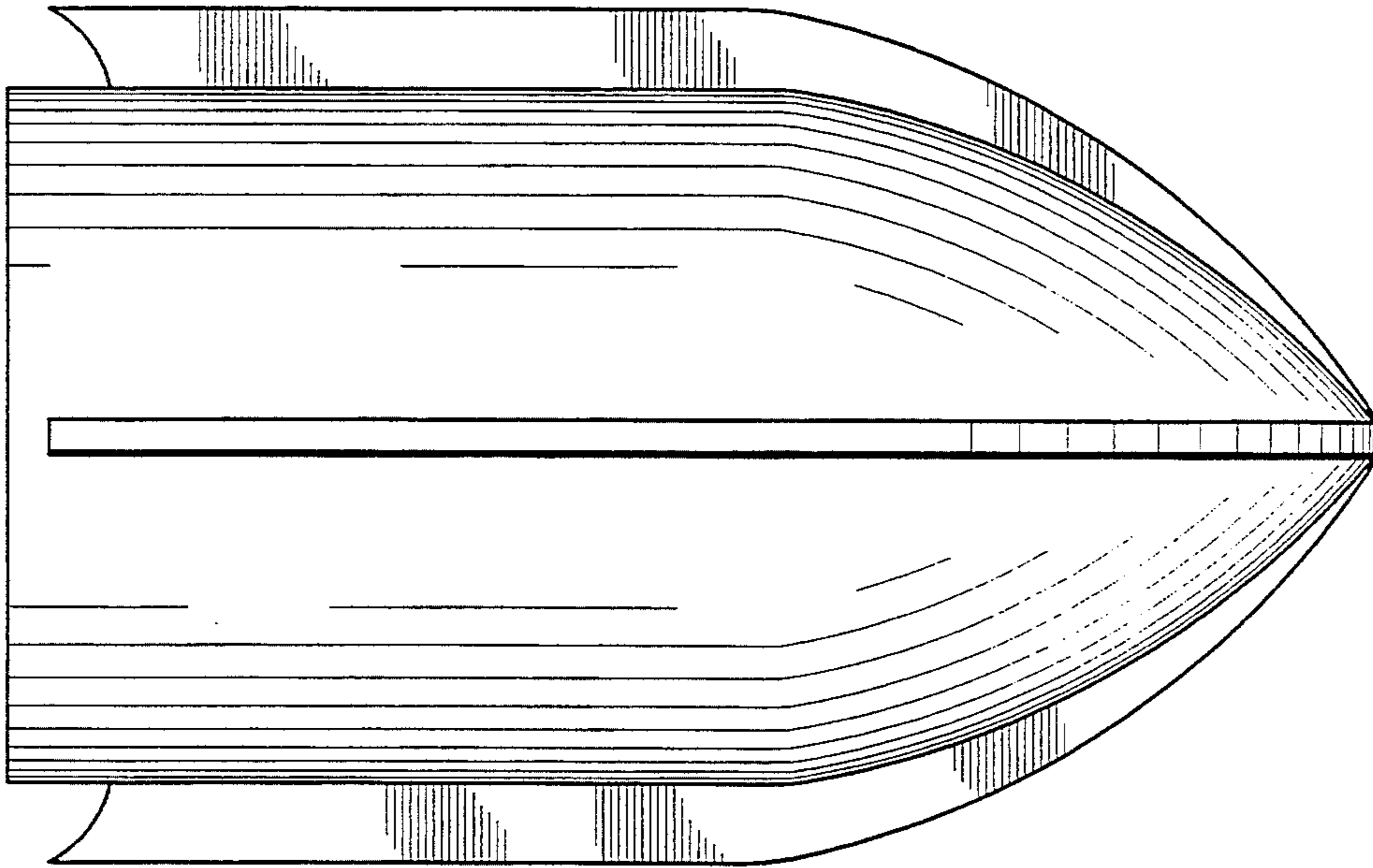


FIG. 2

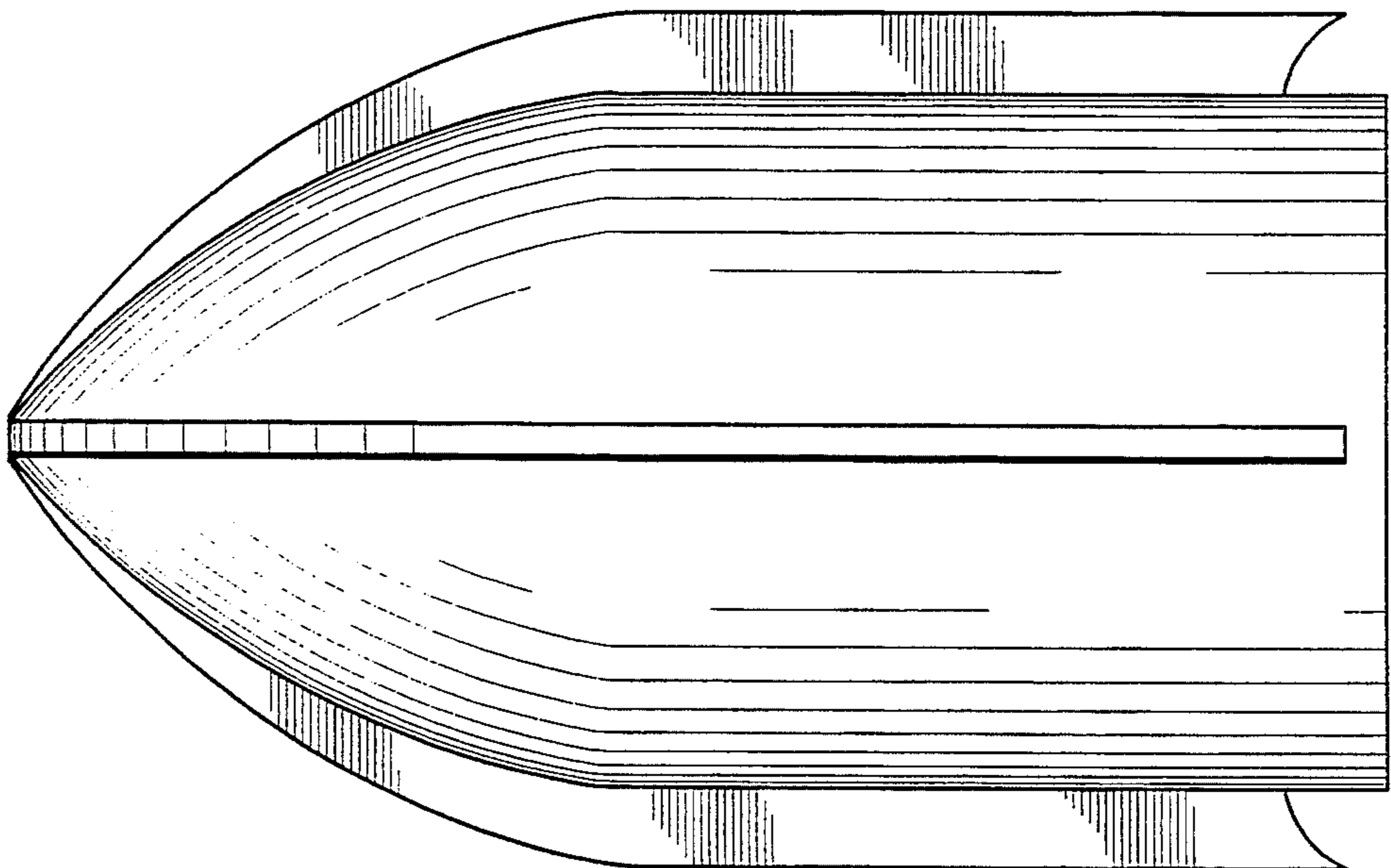


FIG. 3

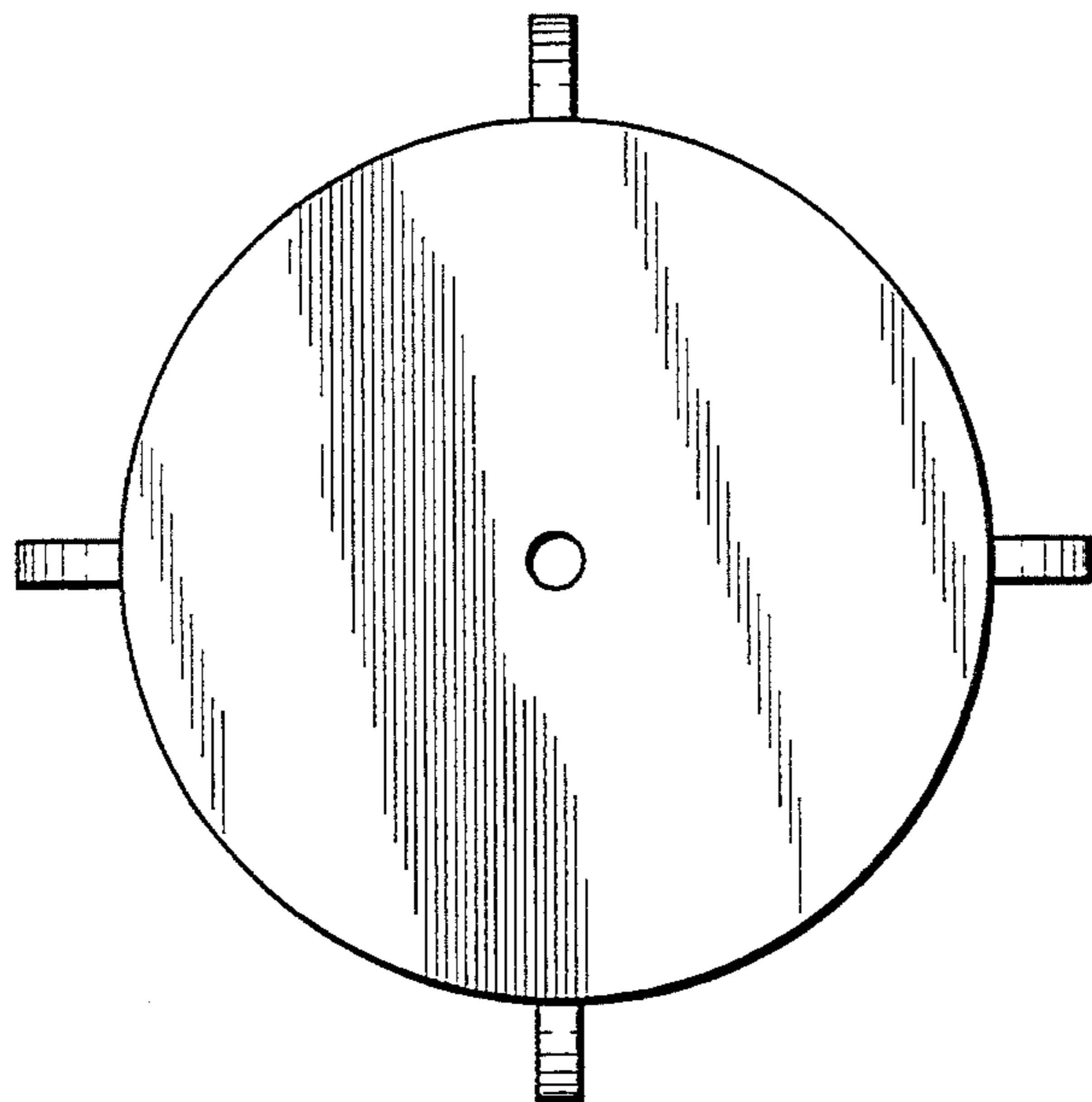


FIG. 4

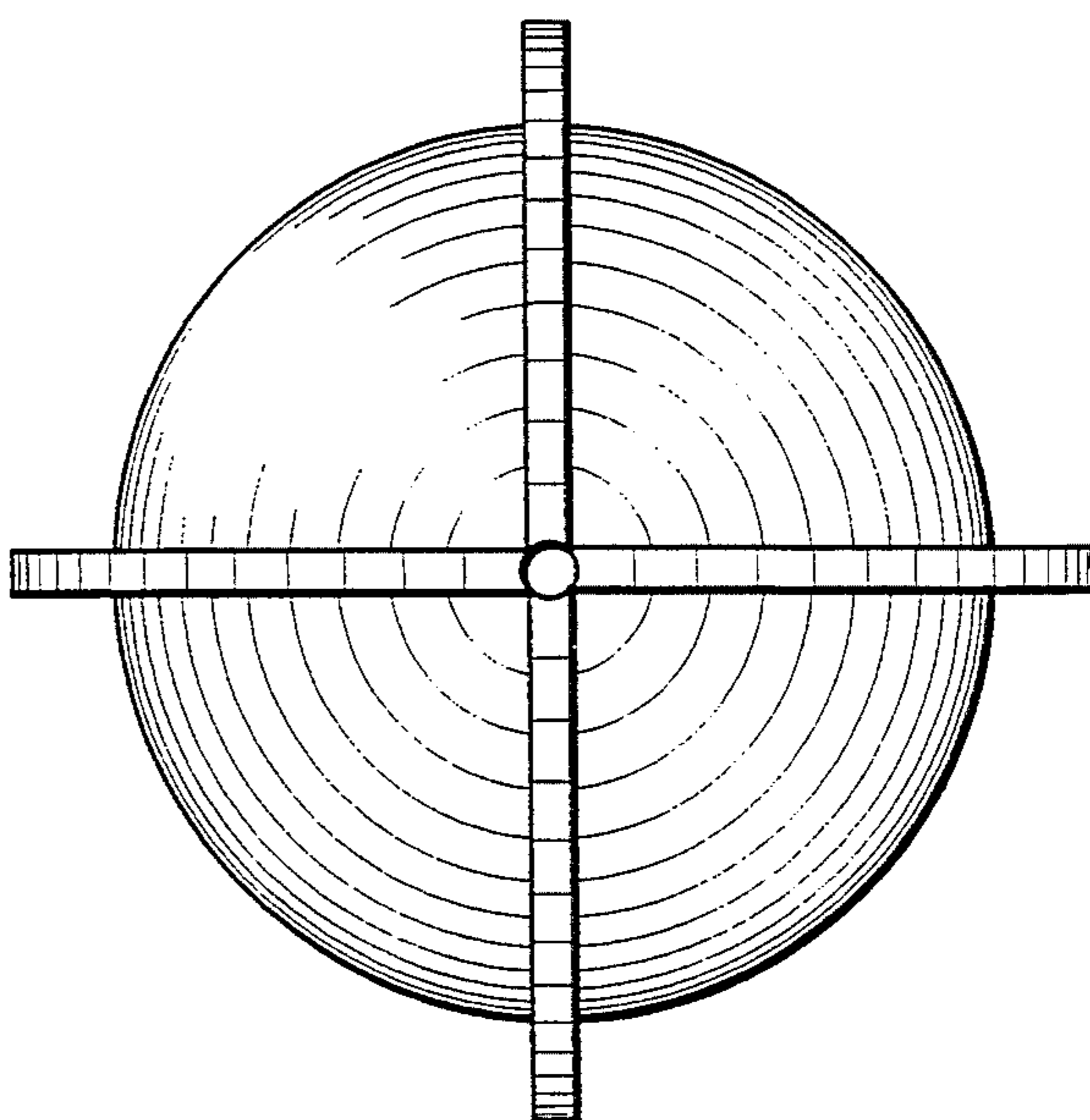


FIG. 5

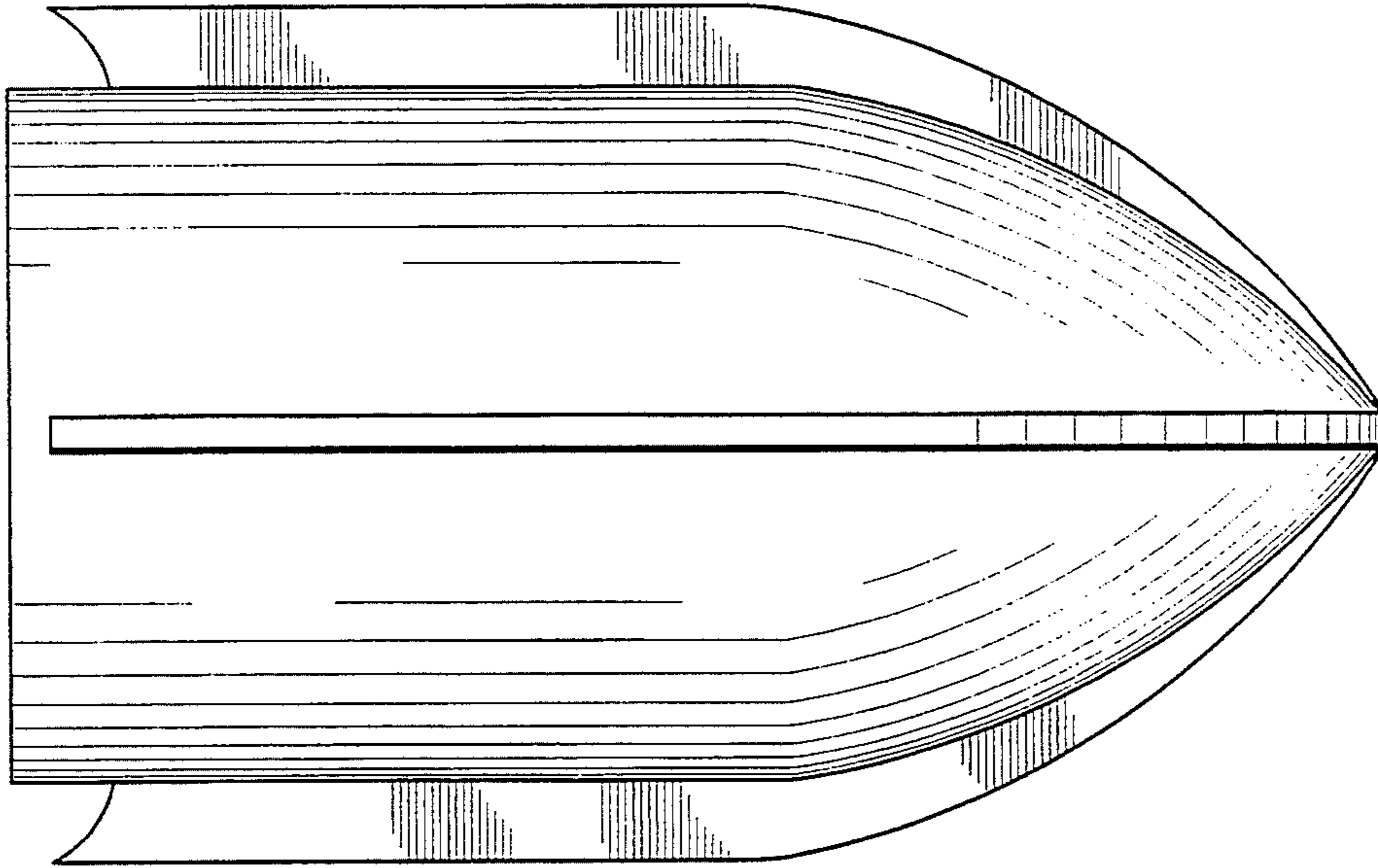


FIG. 6

