



US00D359544S

United States Patent [19]

[11] Patent Number: **Des. 359,544**

Sadykov

[45] Date of Patent: **** Jun. 20, 1995**

[54] **FISHING LURE**

[76] Inventor: **Eduard Sadykov**, 509 Meehan Ave.,
Far Rockaway, N.Y. 11691

[**] Term: **14 Years**

[21] Appl. No.: **9,215**

[22] Filed: **Jun. 8, 1993**

[52] U.S. Cl. **D22/132; D22/126**

[58] Field of Search **D22/126, 132, 128, 130,
D22/145; D25/113; 52/DIG. 10; 43/43.1,
27.2, 26.2, 42.44, 42.48, 42.35, 42.45, 44.97;
229/113, 116; D19/59; D10/111; D20/10, 42;
40/591, 592, 593**

[56] **References Cited**

U.S. PATENT DOCUMENTS

D. 155,481	10/1949	Clasen et al.	D22/126
D. 331,472	12/1992	Campbell	D20/10
1,598,235	8/1926	Barbieri	D19/59 X
1,897,291	2/1933	Andrews	43/43.1
2,303,753	12/1942	Merle	D22/145 X
2,641,080	6/1953	Wise	43/42.33
2,798,332	7/1957	Garrison	D22/145 X
3,633,299	1/1972	Westin	40/592

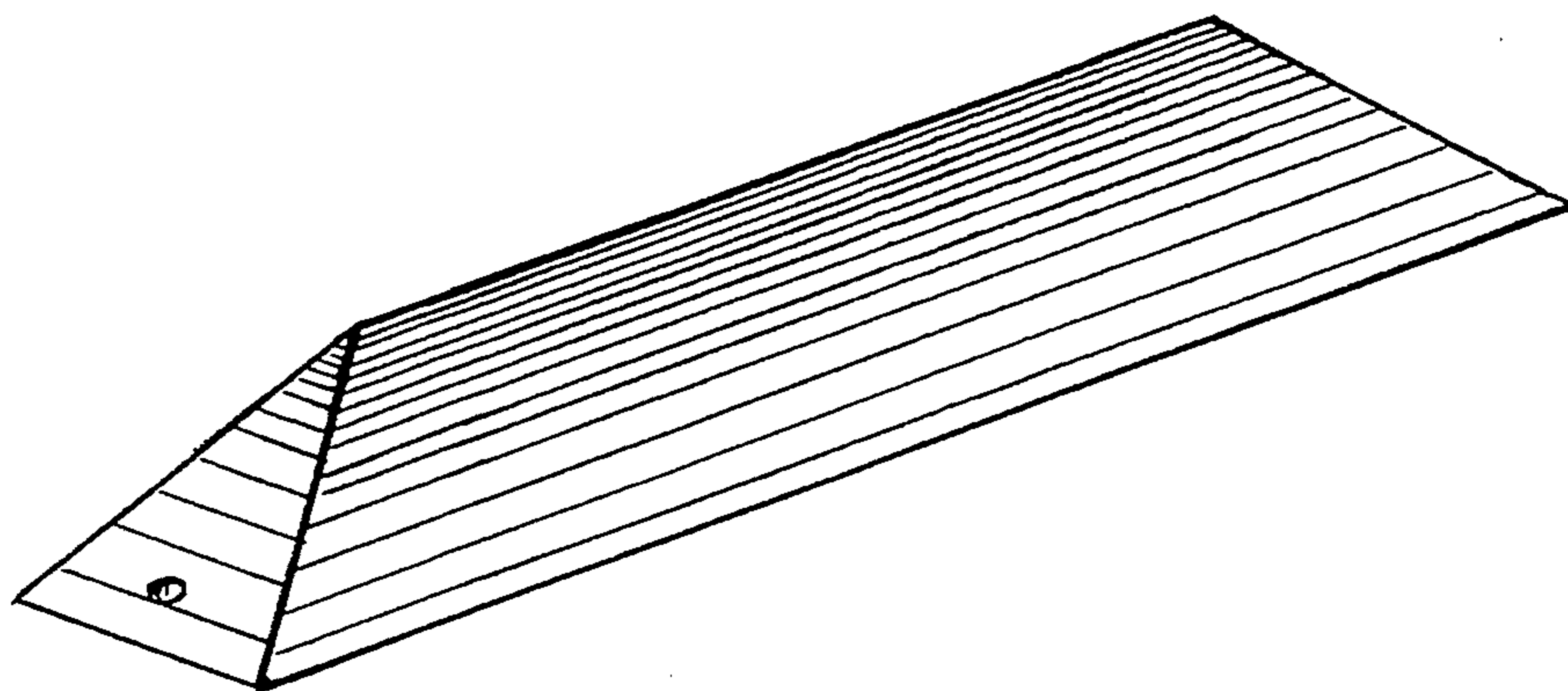
Primary Examiner—Stella Reid
Assistant Examiner—Doris V. Coles
Attorney, Agent, or Firm—Helfgott & Karas

[57] **CLAIM**

The ornamental design for a fishing lure, as shown and described.

DESCRIPTION

FIG. 1 is a perspective view of a first embodiment thereof;
FIG. 2 is a top view thereof;
FIG. 3 is a front view thereof, the rear view being identical thereto;
FIG. 4 is a right side thereof, the left side view being identical thereto;
FIG. 5 is a bottom view thereof;
FIG. 6 is a perspective view of a second embodiment thereof;
FIG. 7 is a top view thereof;
FIG. 8 is a front view thereof, the rear view being identical thereto;
FIG. 9 is a right side view thereof, the left side view being identical thereto;
FIG. 10 is a bottom view thereof;
FIG. 11 is a perspective view of a third embodiment thereof;
FIG. 12 is a top view thereof;
FIG. 13 is a front view thereof, the rear view being identical thereto;
FIG. 14 is a right side view thereof, the left side view being identical thereto; and,
FIG. 15 is a bottom view thereof.



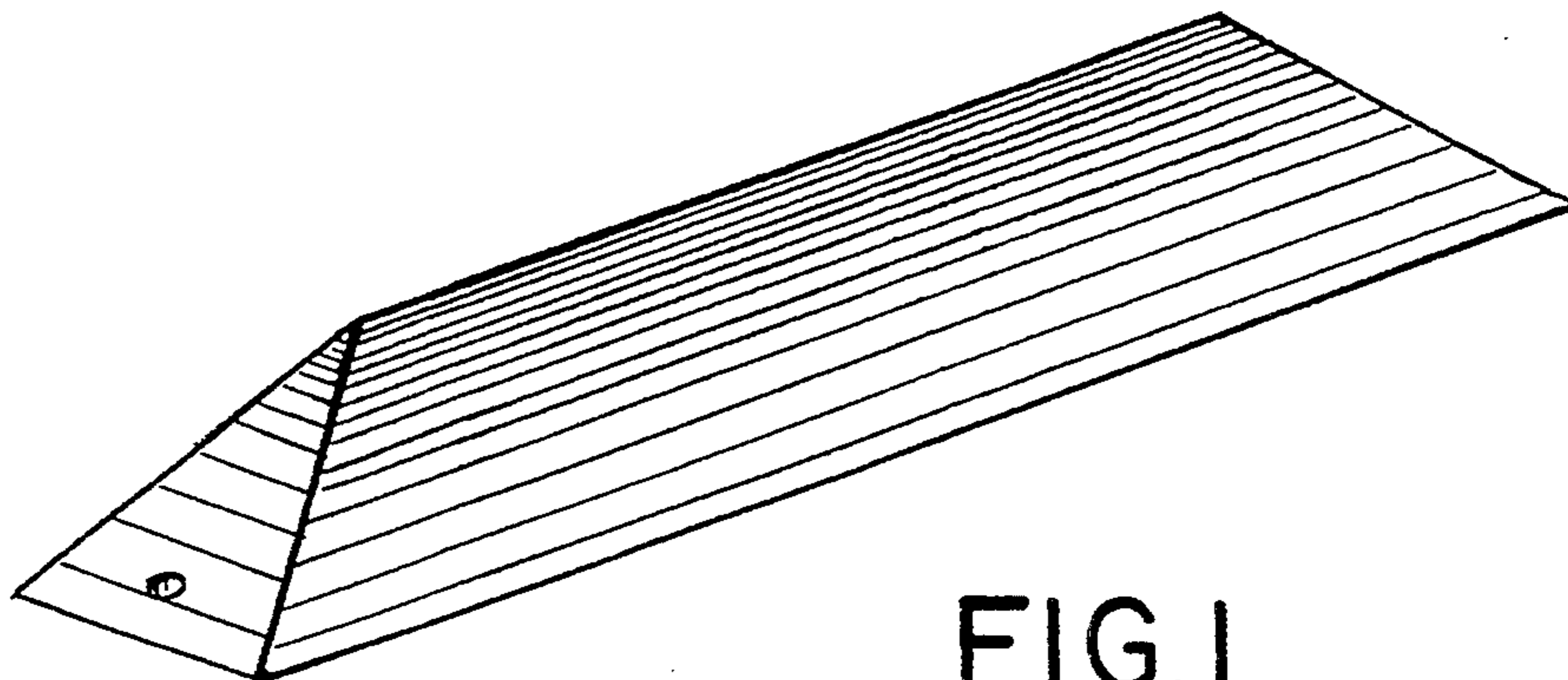


FIG. 1

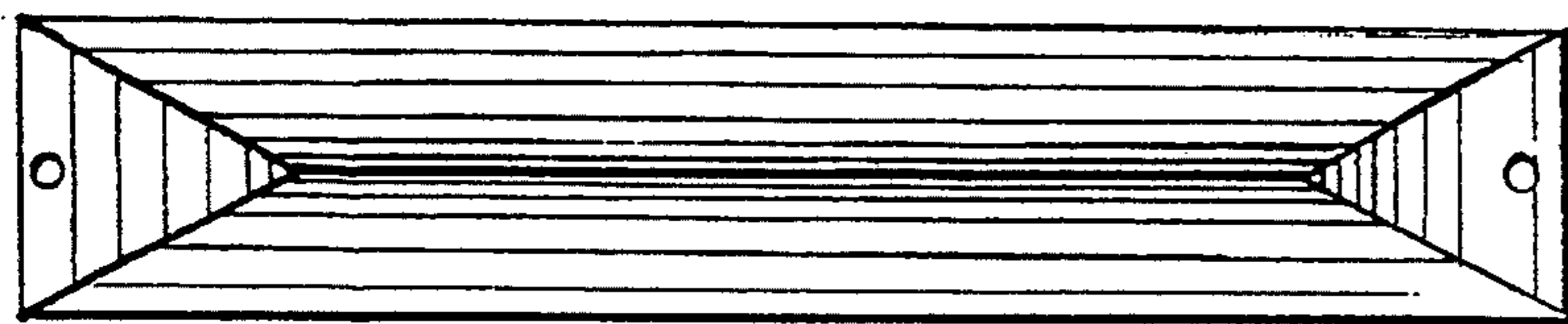


FIG. 2

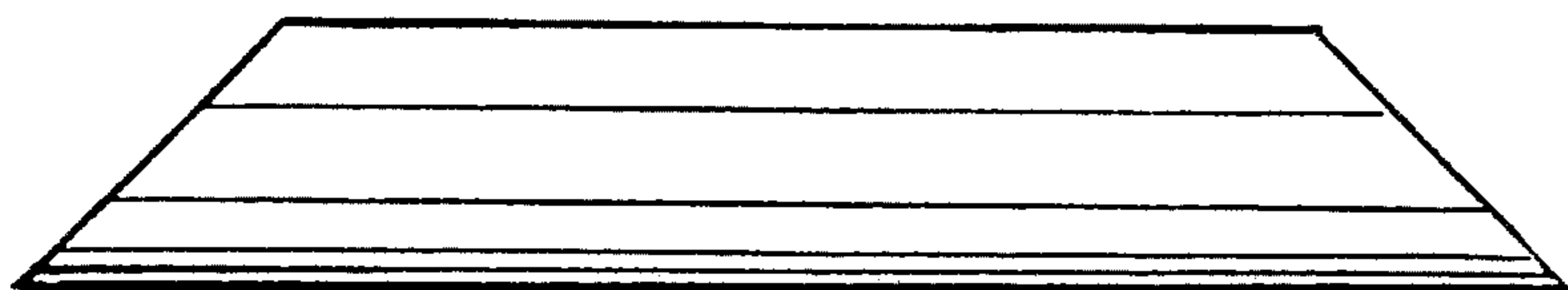


FIG. 3

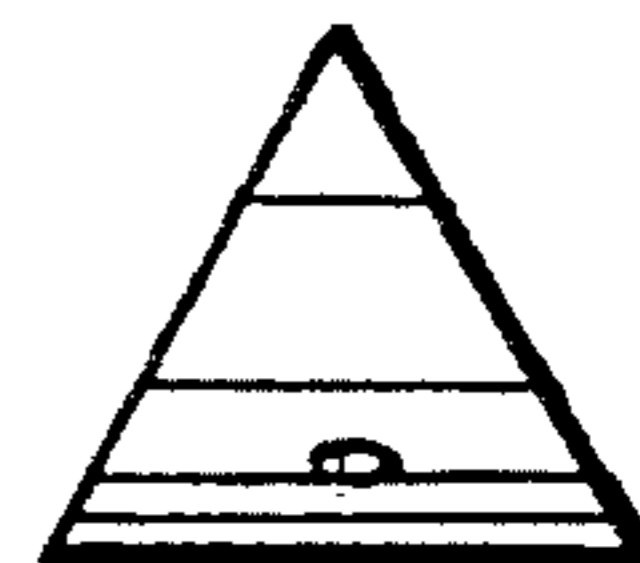


FIG. 4

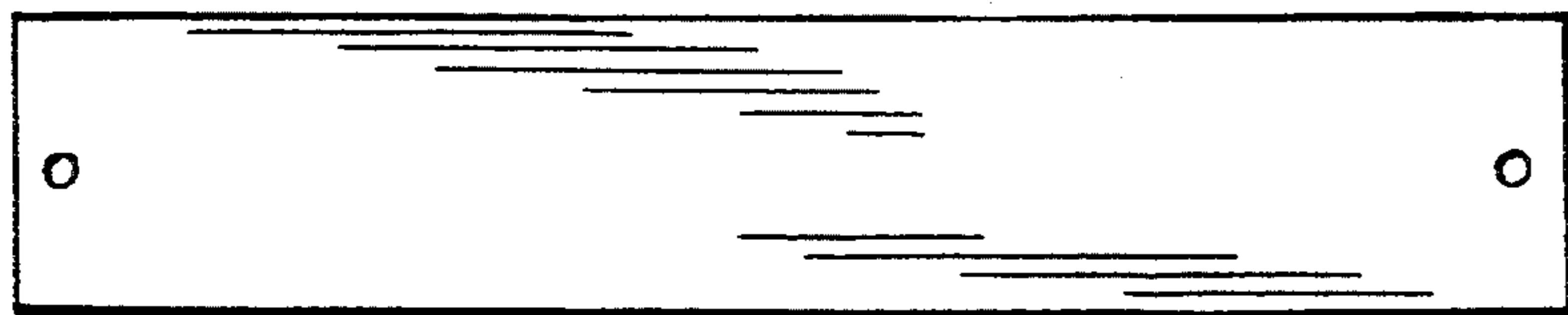


FIG. 5

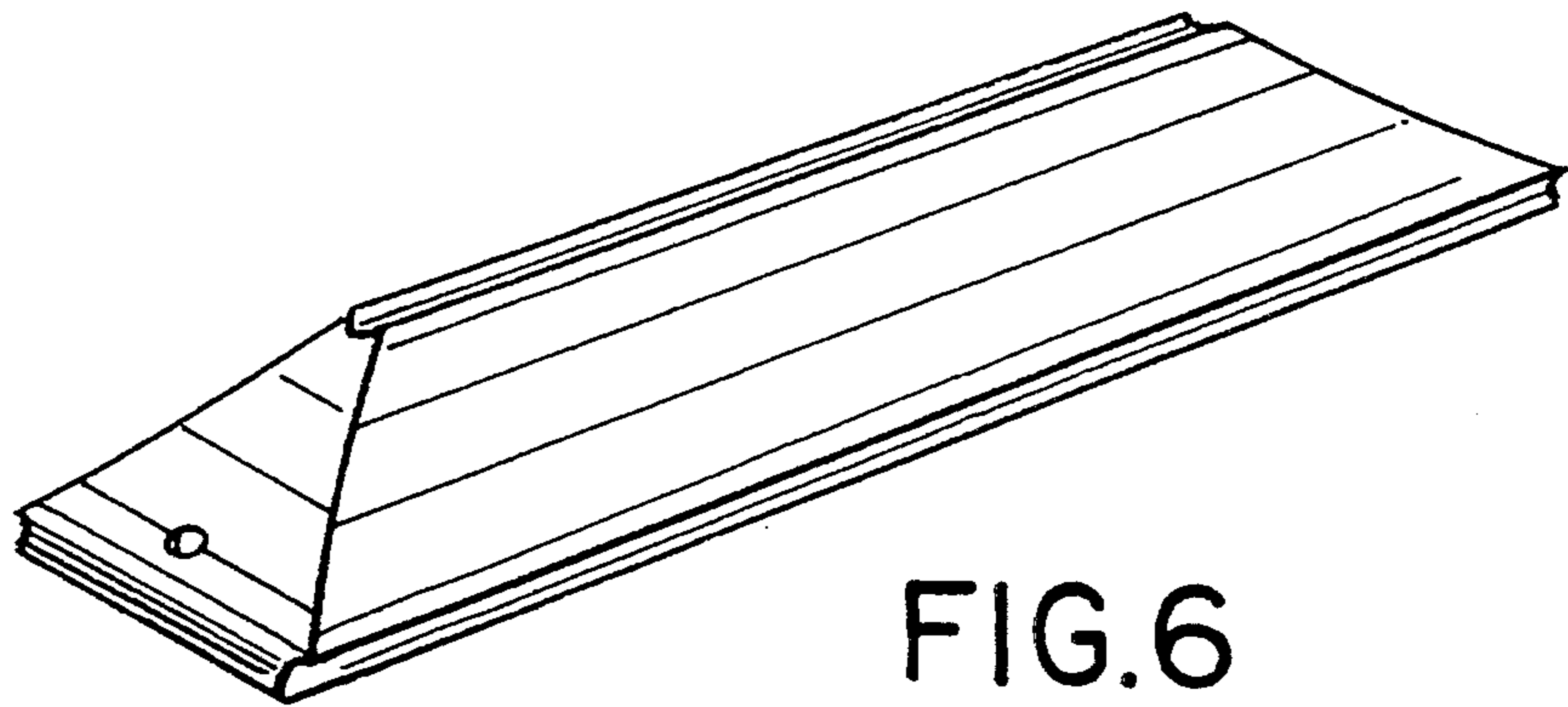


FIG. 6

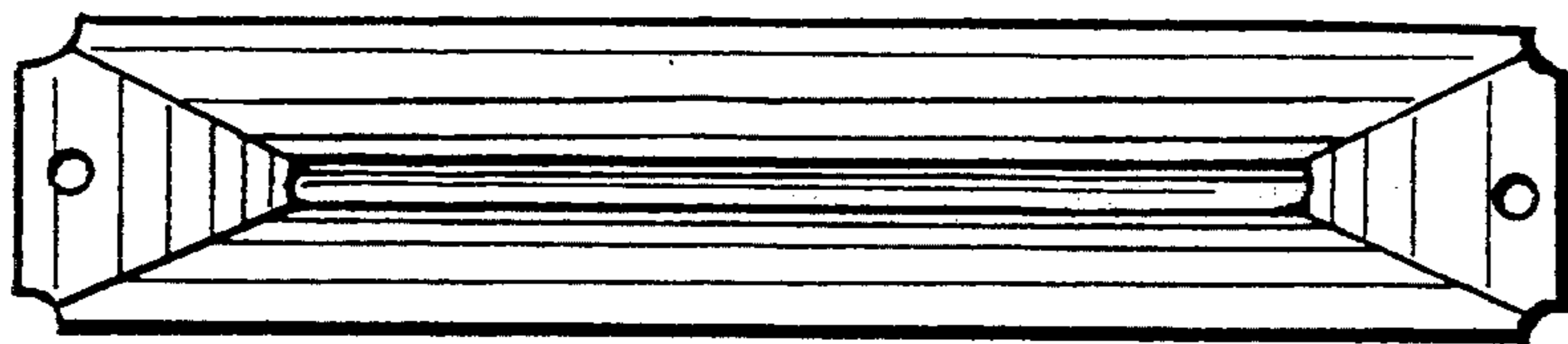


FIG. 7

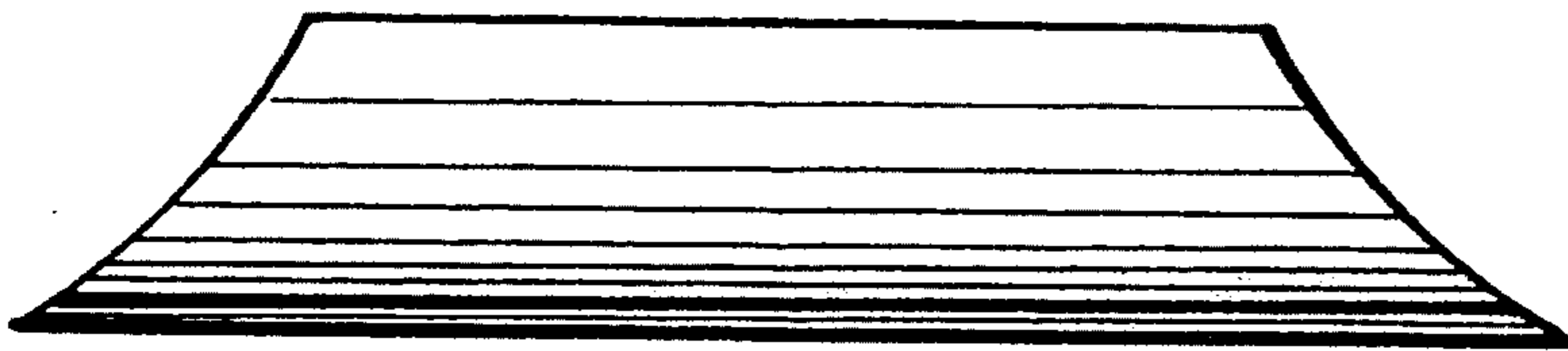


FIG. 8

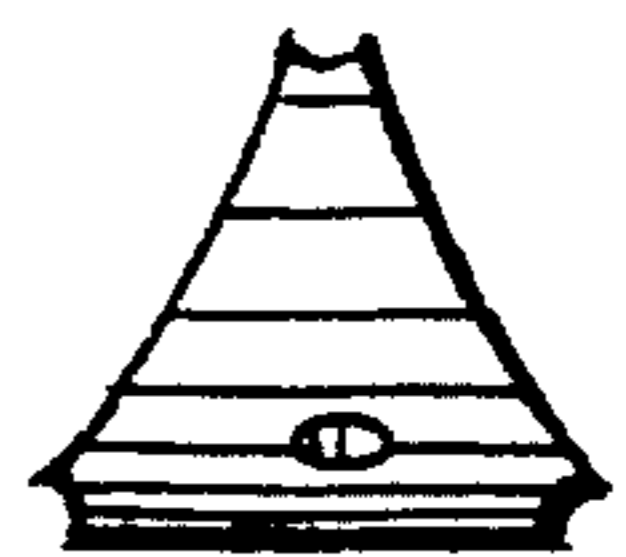


FIG. 9

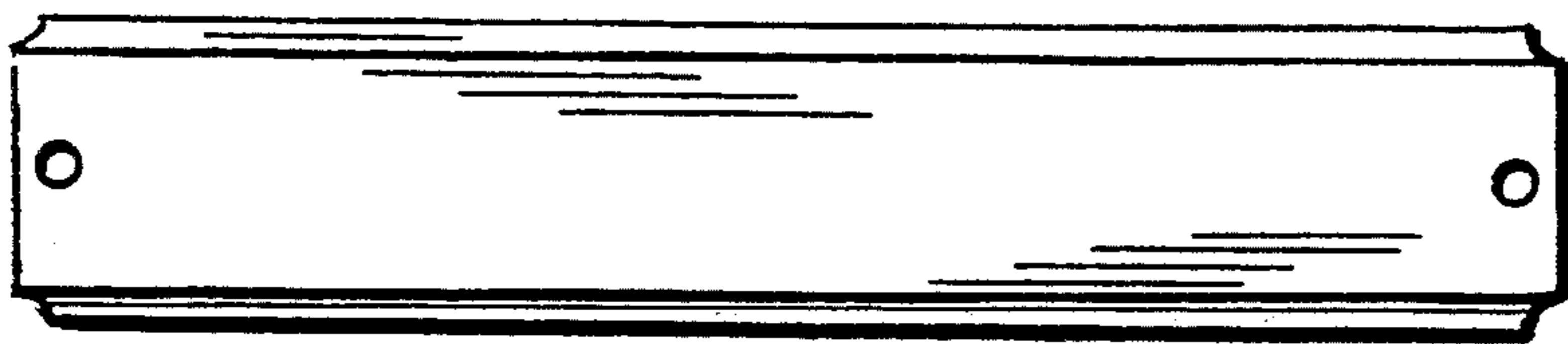


FIG. 10

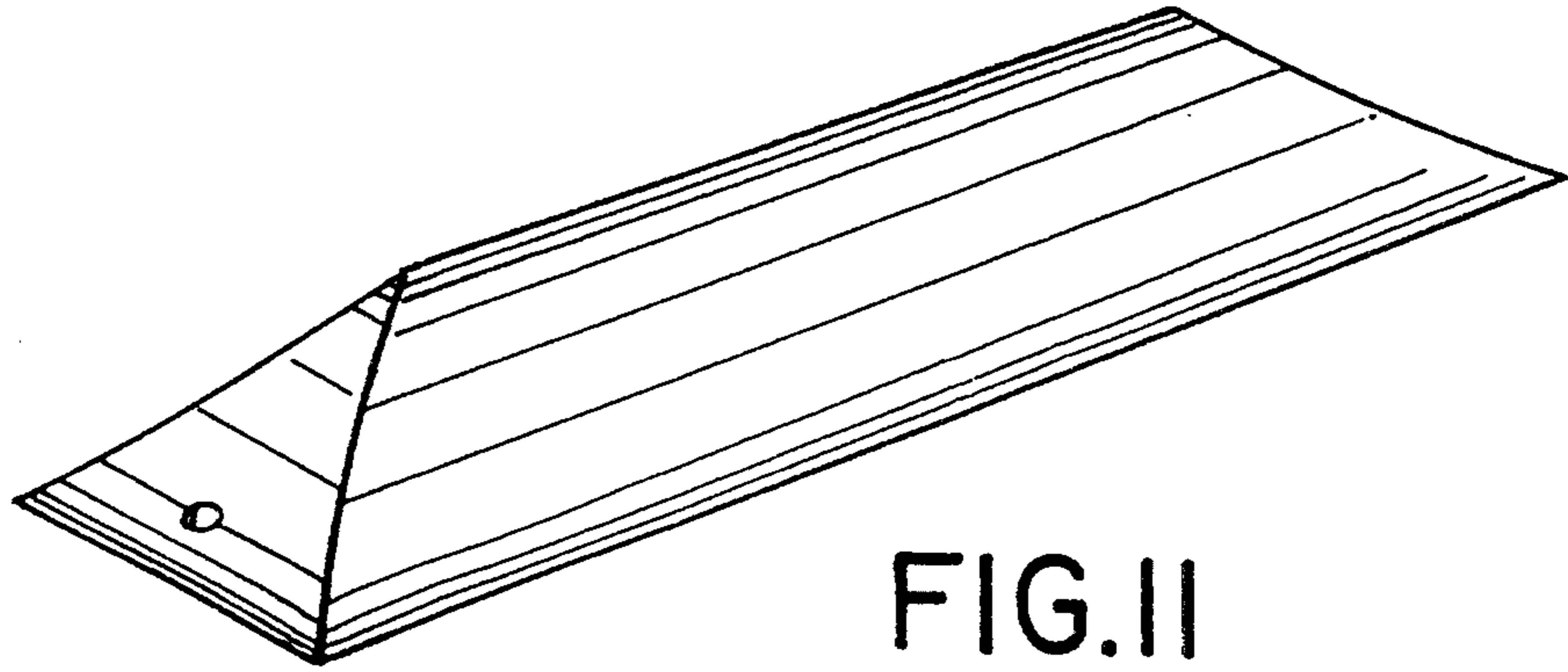


FIG. 11

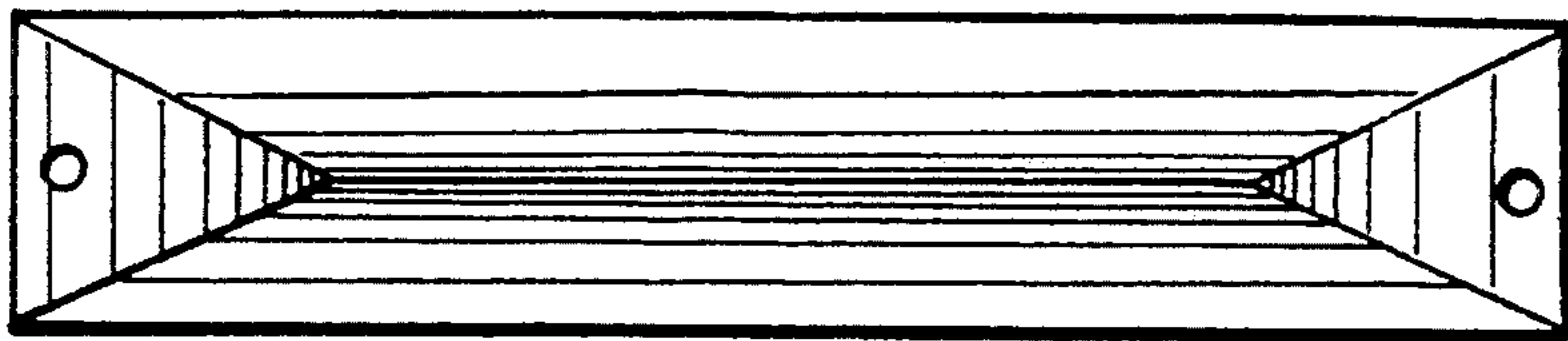


FIG. 12

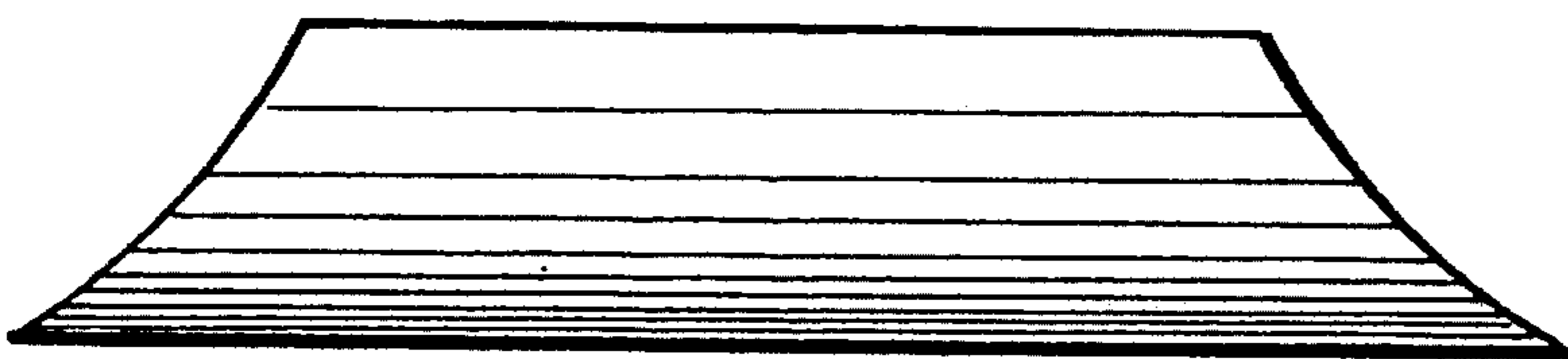


FIG. 13

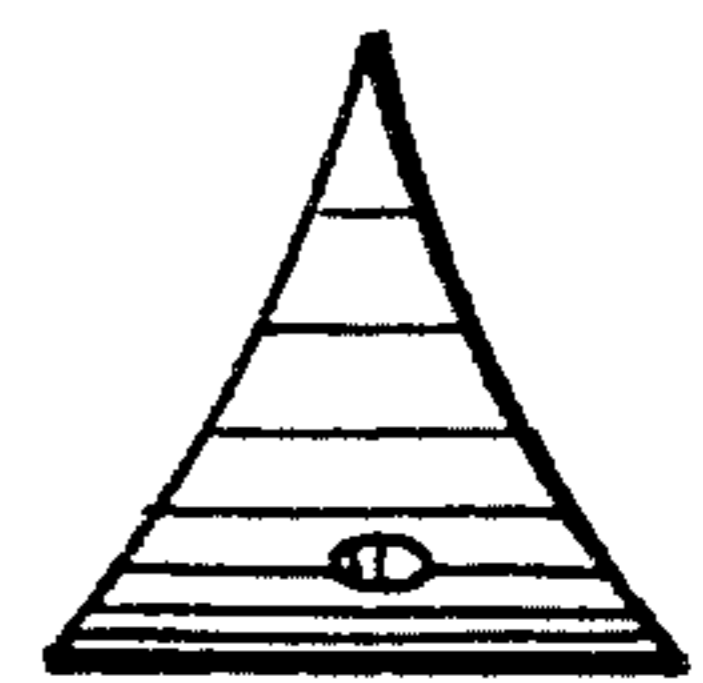


FIG. 14

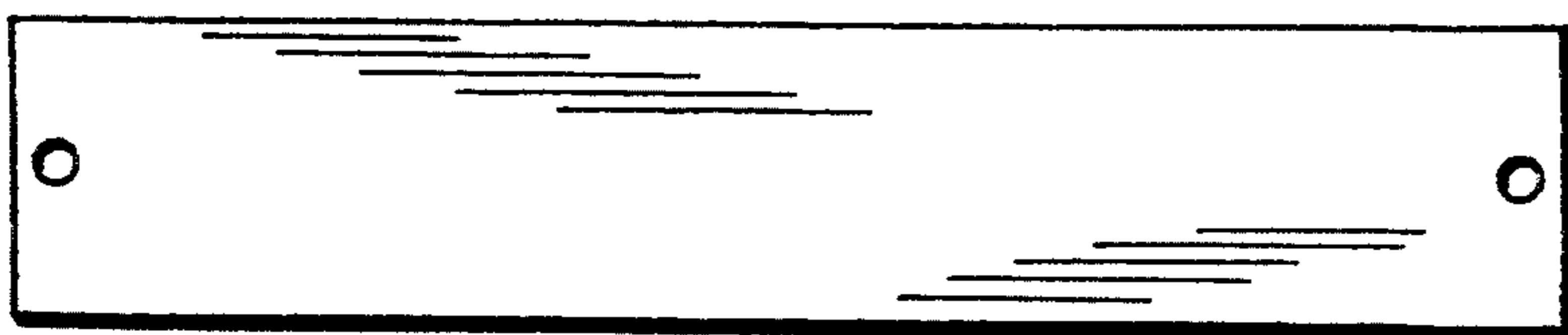


FIG. 15