



US00D359543S

United States Patent [19]

[11] Patent Number: **Des. 359,543**

Tiramaui

[45] Date of Patent: **** Jun. 20, 1995**

[54] **SKI-SLED**

[75] Inventor: **Paolo M. B. Tiramaui**, Greenwich, Conn.

[73] Assignee: **Snowblade Corporation**, Franklin Lakes, N.J.

[**] Term: **14 Years**

[21] Appl. No.: **18,541**

[22] Filed: **Jan. 31, 1994**

[52] U.S. Cl. **D21/229; D12/7**

[58] Field of Search **D21/228, 229; 280/25, 280/12, 23; D12/6-11**

3,325,179	6/1967	Bissett	280/25
3,336,038	8/1967	Cohen	280/12
3,617,070	11/1971	Roberts	280/21
3,666,281	5/1972	Billings	280/12
3,744,811	2/1973	Johnston	280/12
3,782,745	1/1974	Stoveken	280/18
3,890,513	8/1974	Hunt	280/12
3,917,301	11/1975	Fabris	280/12
4,082,304	4/1978	Kendrena	280/12
4,129,313	12/1978	Fenson	280/12
4,193,609	3/1980	Bissett	280/12
4,199,162	4/1980	Joy	280/12
4,310,169	1/1982	Brough	280/12
4,349,208	9/1982	Merrill	280/12
4,720,280	1/1988	Hufnagi et al.	441/74
4,722,539	2/1988	Molinaro	280/12

[56] **References Cited**

U.S. PATENT DOCUMENTS

D. 93,132	8/1934	Richards .	
D. 157,137	2/1950	Foster	D34/15
D. 162,423	3/1951	Kotchan	D34/15
D. 178,325	7/1956	Nelson	D34/15
D. 202,055	8/1965	Kaup	D34/15
D. 205,296	7/1966	Cohen	D34/15
D. 232,164	7/1974	Bemis et al.	D21/2
D. 291,427	8/1987	Schaller et al.	D12/10
D. 303,416	9/1989	Strauss	D21/229
307,730	11/1884	Proctor .	
768,977	8/1904	Clark et al. .	
1,026,023	5/1912	Diener et al. .	
1,569,885	1/1926	Robblee .	
1,655,713	1/1928	Scoville .	
1,672,782	6/1928	Ring .	
1,954,830	4/1934	Richards	188/8
2,443,348	6/1948	Flajole	280/12
2,447,700	8/1948	Hassman	280/12
2,460,815	2/1949	Dunkel	280/23
2,841,406	7/1958	Brandon	280/12
2,963,299	12/1960	Smith	280/25
3,026,120	3/1962	Guerard	280/12
3,139,287	6/1964	Annis	280/12
3,190,668	6/1965	Husak	280/12
3,297,334	1/1967	Jenks	280/12
3,301,569	1/1967	Broschart	280/25

FOREIGN PATENT DOCUMENTS

13825 10/1990 Finland .

Primary Examiner—Kay H. Chin
Attorney, Agent, or Firm—Paul J. Juettner

[57] **CLAIM**

The ornamental design for ski-sled, as shown and described.

DESCRIPTION

FIG. 1 is a perspective view of a ski-sled embodying my new design;

FIG. 2 is a rear elevation of the ski-sled shown in FIG. 1;

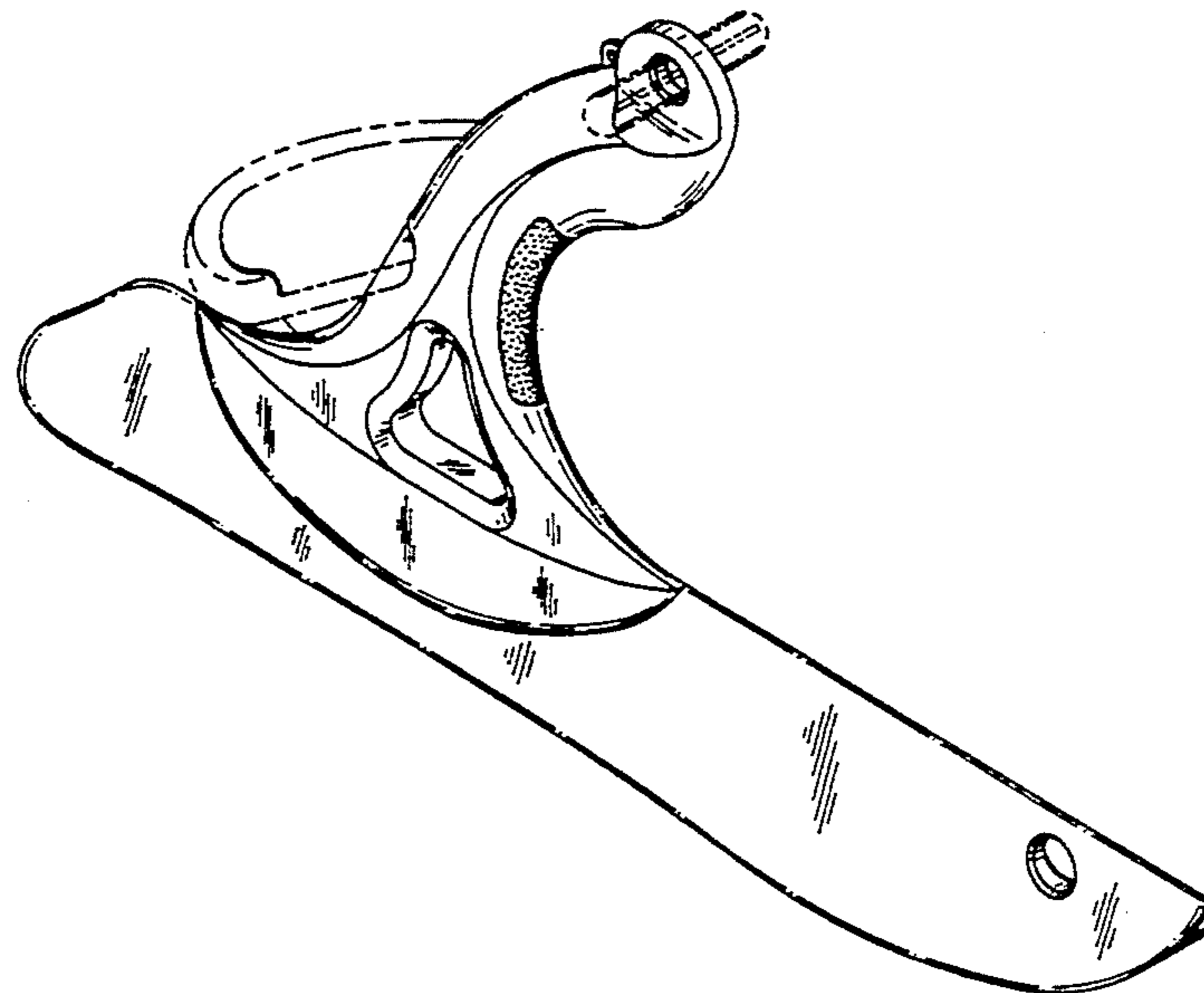
FIG. 3 is a side elevation of the ski-sled shown in FIG. 1;

FIG. 4 is a front elevation of the ski-sled shown in FIG. 1;

FIG. 5 is a top plan view of the ski-sled as shown in FIG. 1; and,

FIG. 6 is a bottom plan view of the ski-sled as shown in FIG. 1.

The broken lines in FIGS. 1 through 6 are for illustrative purposes only and form no part of the claimed design.



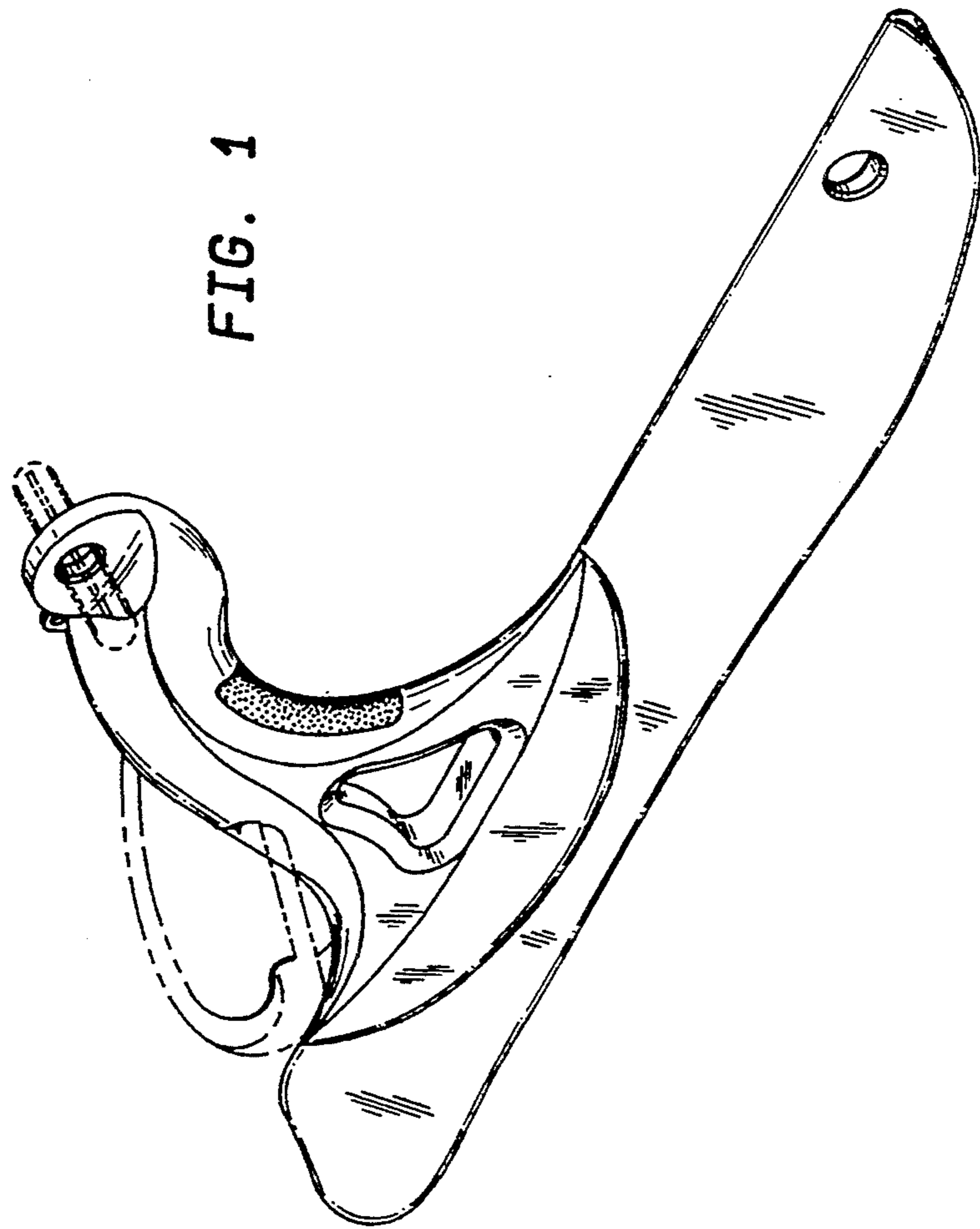


FIG. 2

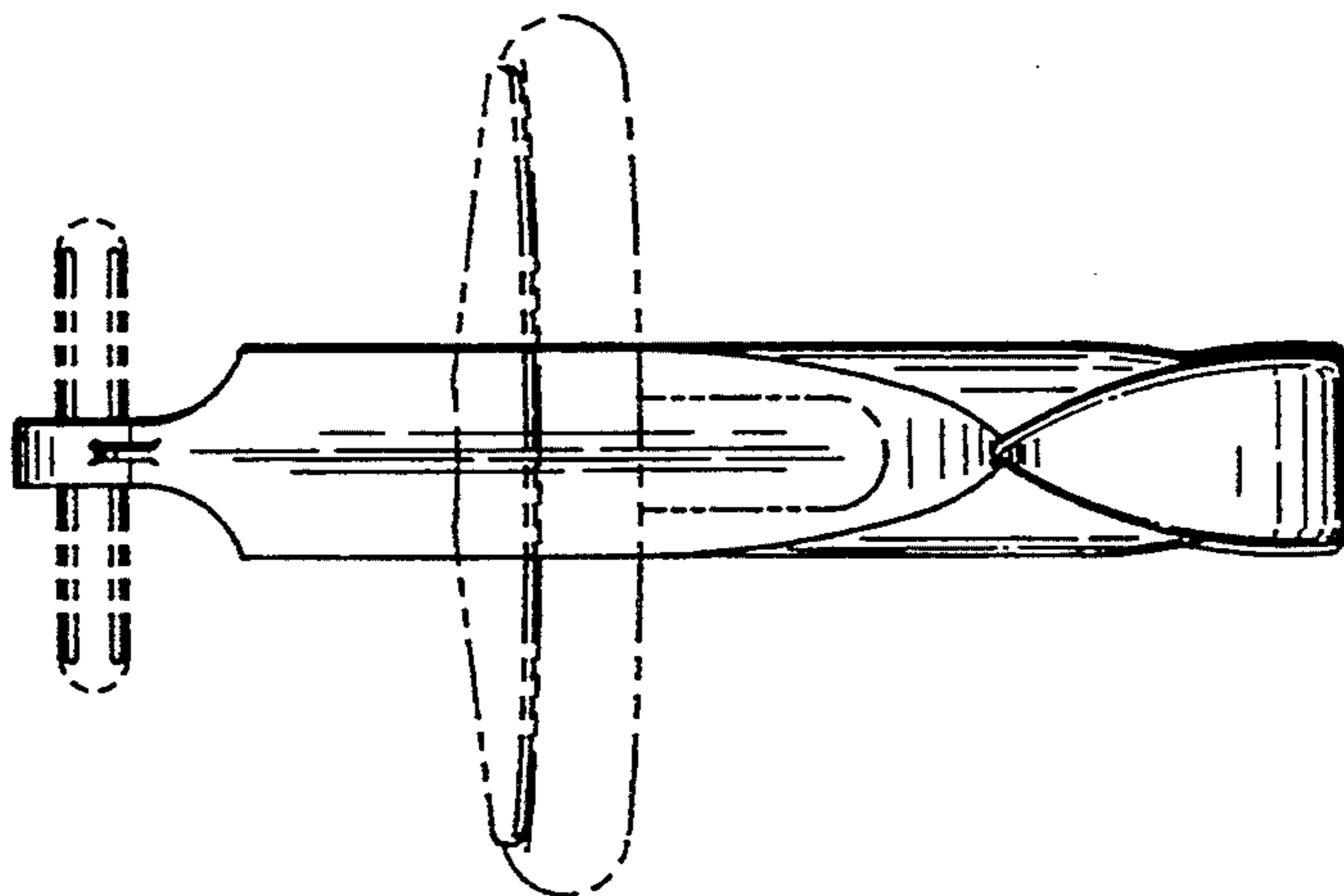
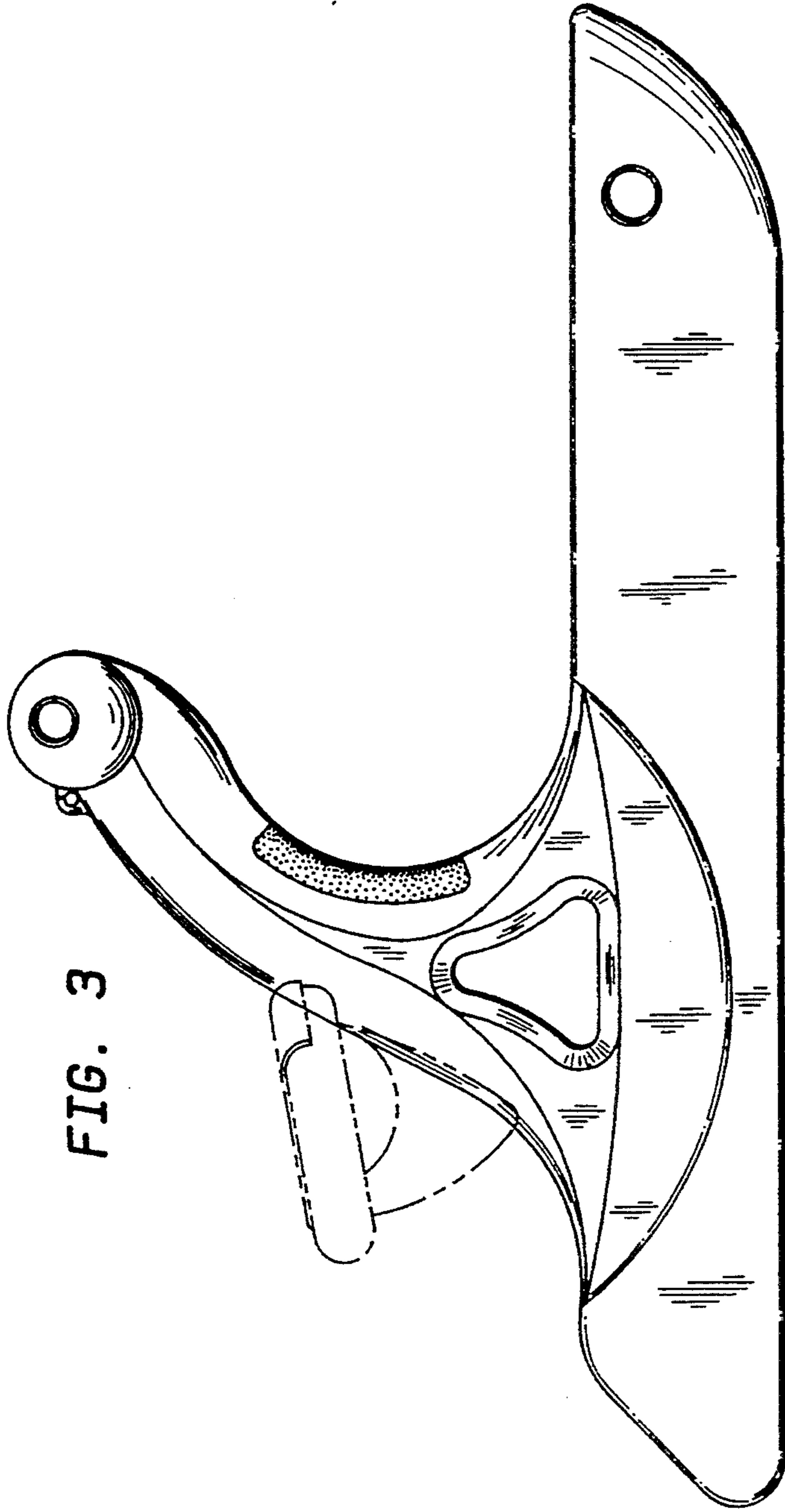


FIG. 3



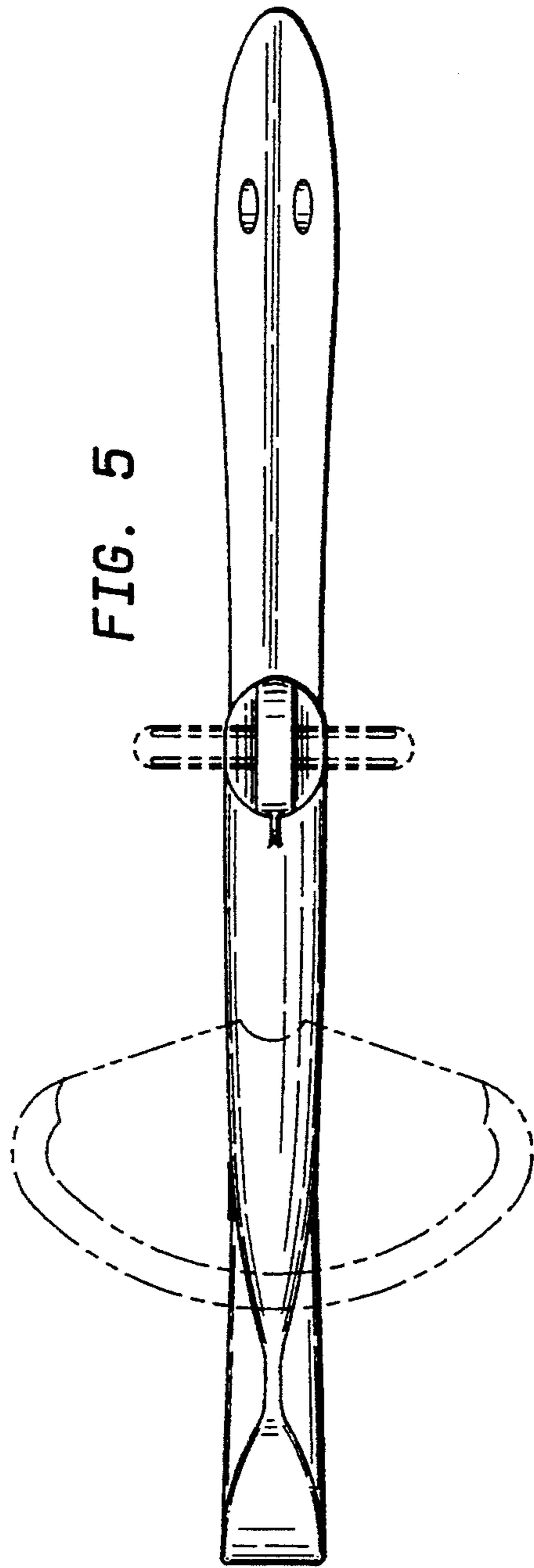


FIG. 5

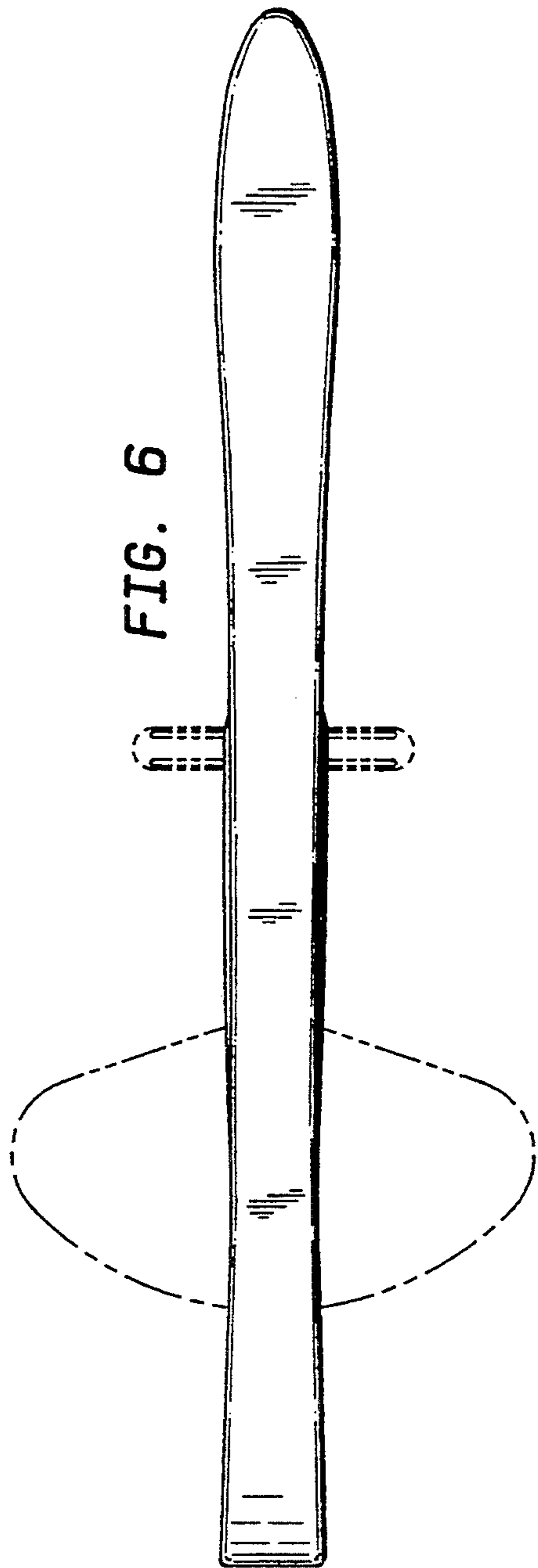


FIG. 6

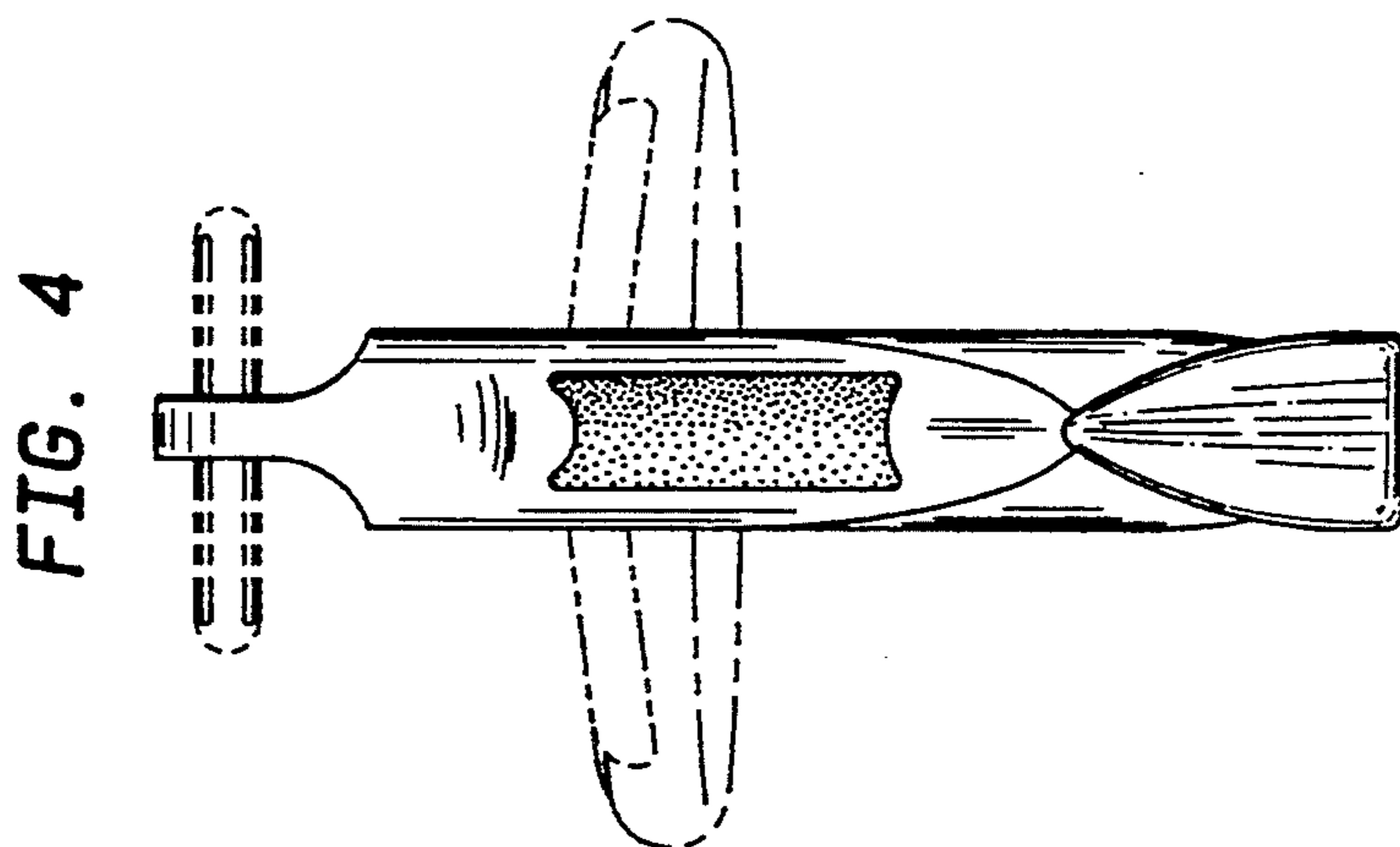


FIG. 4