



US00D359529S

United States Patent [19]

[11] Patent Number: **Des. 359,529**

Nguyen

[45] Date of Patent: **** Jun. 20, 1995**

[54] PAINTBALL GUN

[75] Inventor: **Thang Nguyen**, Fort Wayne, Ind.

[73] Assignee: **Equico, Inc.**, Fort Wayne, Ind.

[**] Term: **14 Years**

[21] Appl. No.: **9,089**

[22] Filed: **Jun. 3, 1993**

[52] U.S. Cl. **D21/147; D21/145; D22/103**

[58] Field of Search **D21/147, 145, 146; 124/72, 48, 66, 75, 26, 27, 76, 50, 74, 67; 222/79, 401; 42/54, 10, 11, 90; 89/161, 142, 33.02; 446/473; 273/349**

[56] References Cited

U.S. PATENT DOCUMENTS

D. 303,418	9/1989	Miller et al.	D22/103
D. 337,627	7/1993	Moran	D21/147
4,531,503	7/1985	Shepherd	124/76
4,665,885	5/1987	Glomski et al.	124/27
4,819,609	4/1989	Tippmann	124/72
4,936,282	6/1990	Dobbins	124/74
5,150,819	9/1992	Johnson et al.	446/473
5,198,600	3/1993	E'Nama	42/90
5,241,944	9/1993	Rappaport	124/67

FOREIGN PATENT DOCUMENTS

1252926 12/1960 France .
2244121 11/1991 United Kingdom .

OTHER PUBLICATIONS

Action Pursuit Games Magazine, Feb. 1993, p. 45 King Cobra, Nightmare Short Model 68, Nightmare Comp Short Barrell.

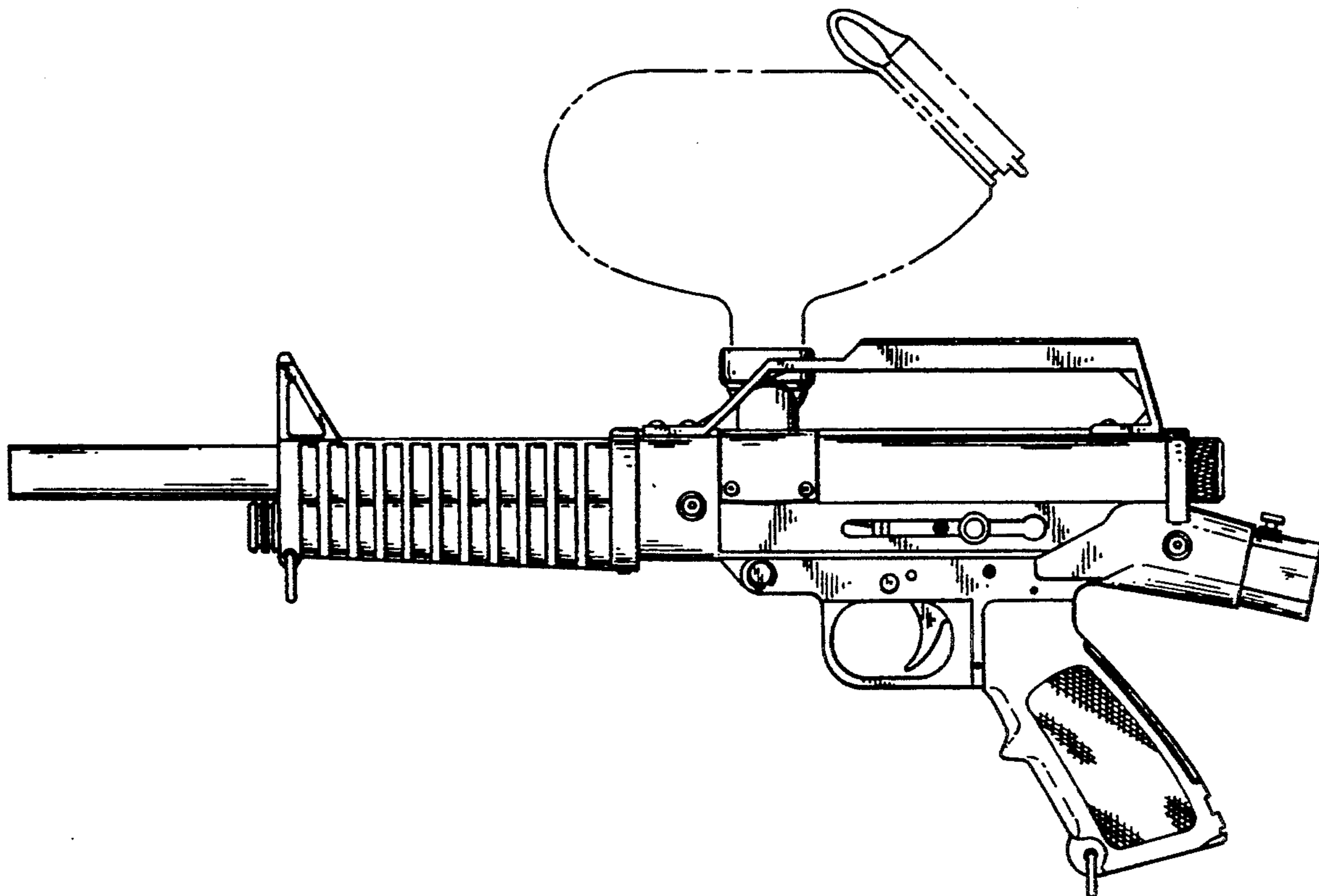
Primary Examiner—Doris V. Coles
Attorney, Agent, or Firm—Baker & Daniels

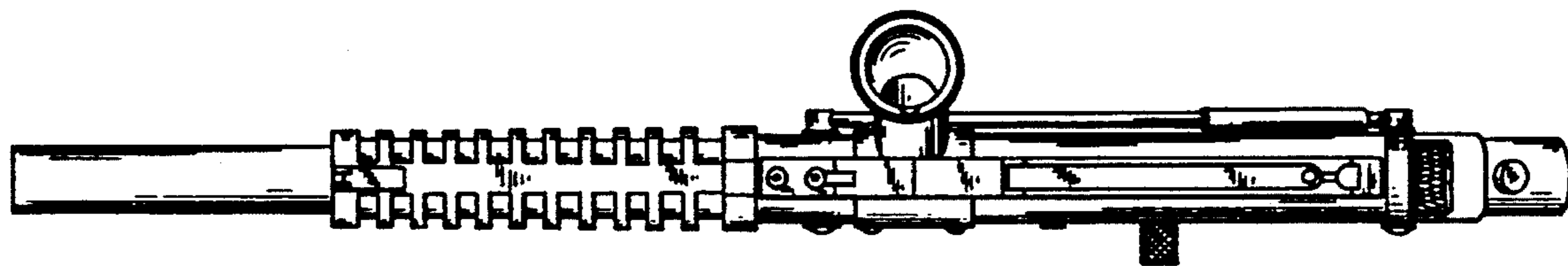
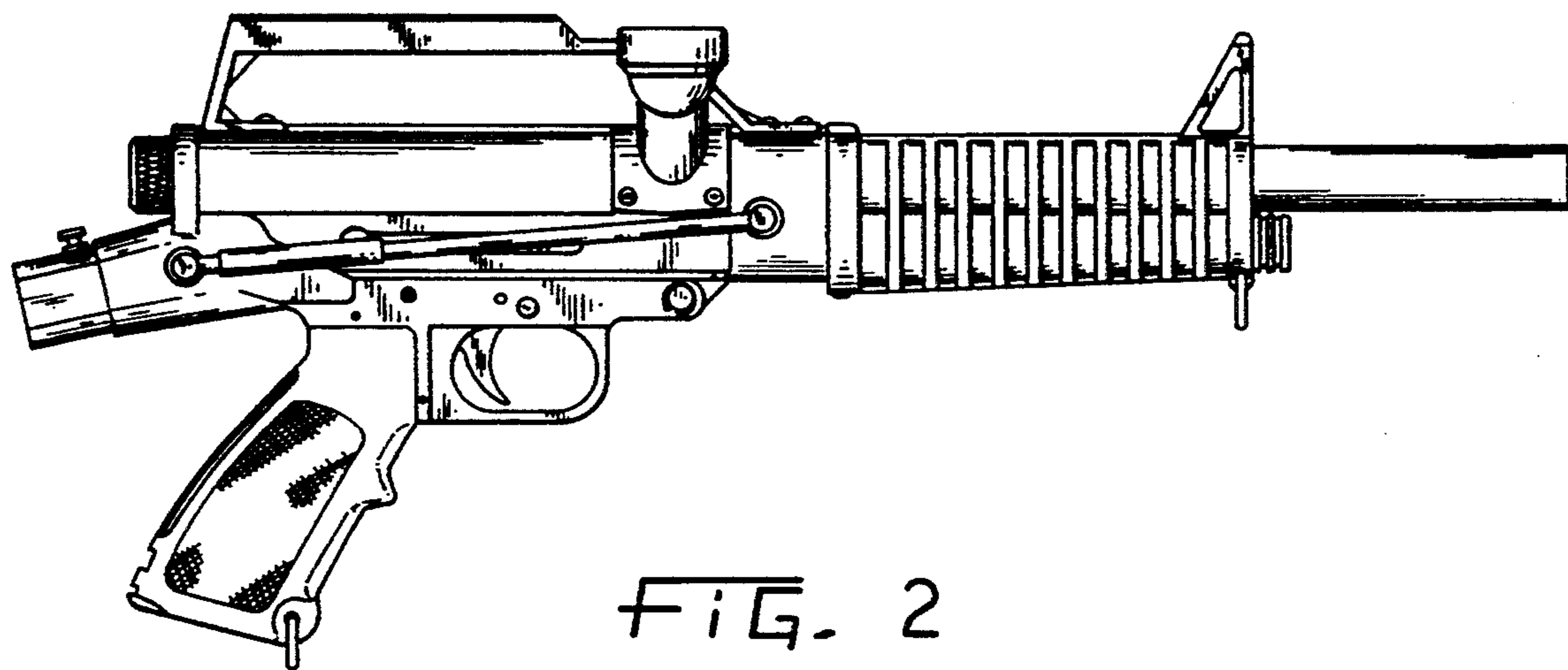
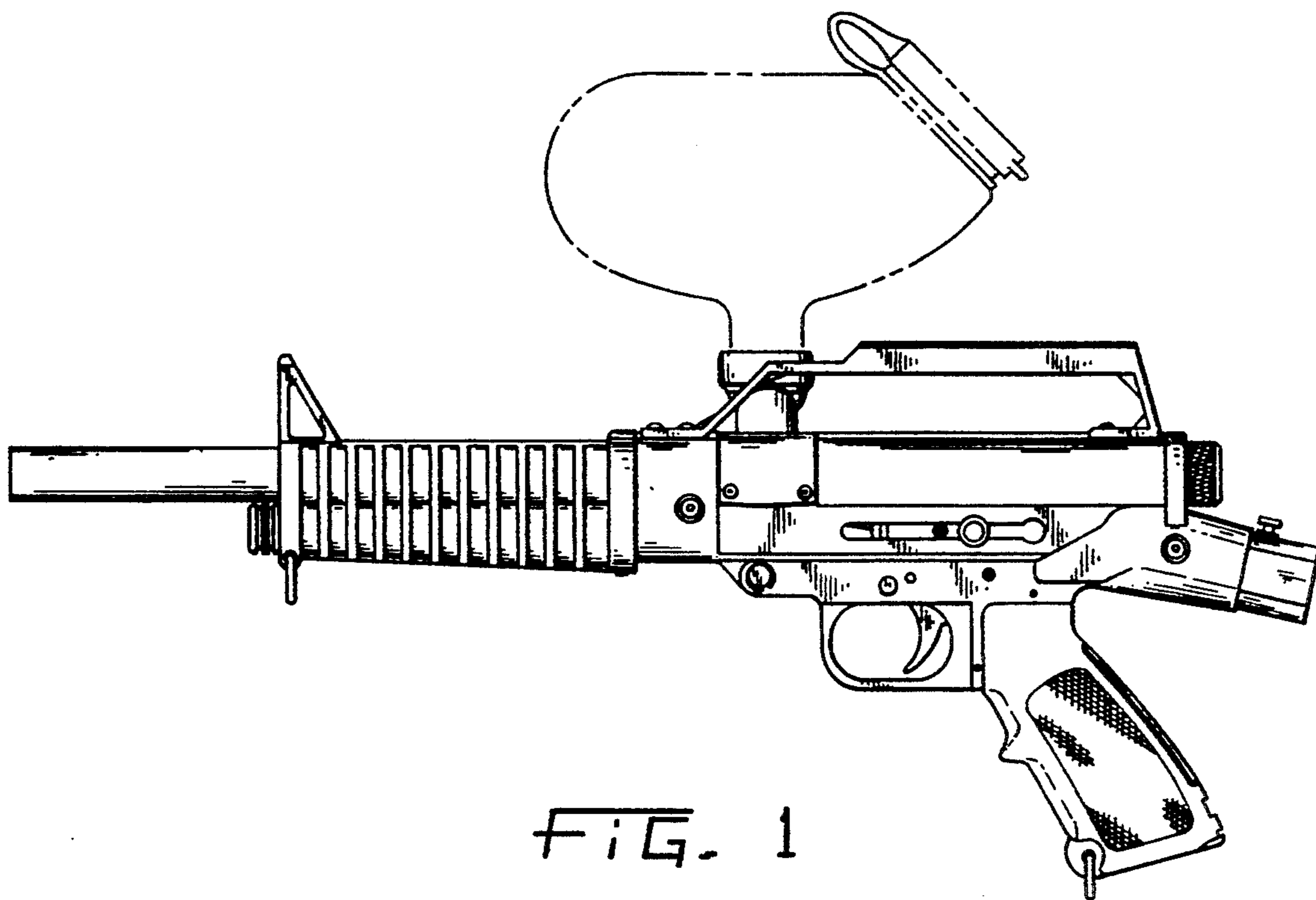
[57] CLAIM

The ornamental design for a paintball gun, as shown and described.

DESCRIPTION

FIG. 1 is a side elevational view of a paintball gun showing my new design;
FIG. 2 is an elevational view of the other side thereof;
FIG. 3 is a top elevational view thereof;
FIG. 4 is a bottom elevational view thereof;
FIG. 5 is an end elevational view thereof; and,
FIG. 6 is an elevational view of the other end thereof.
The broken line showing of environment in FIG. 1 is for illustrative purposes only and forms no part of the claimed design.





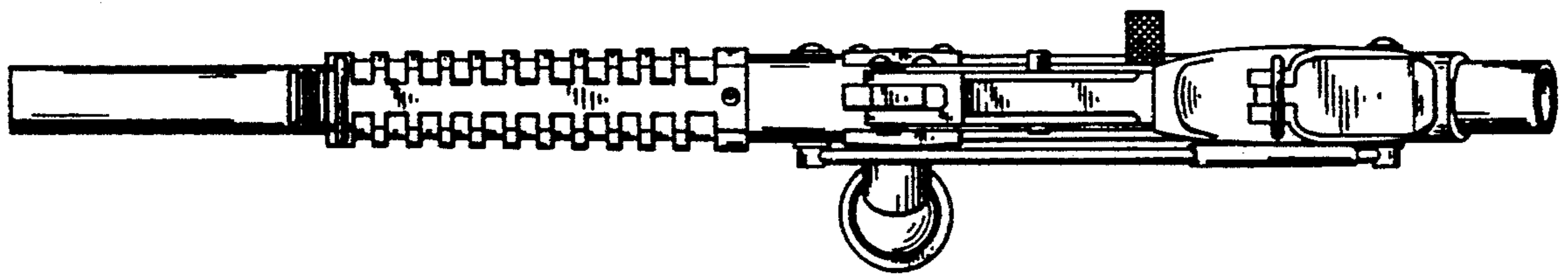


FIG. 4

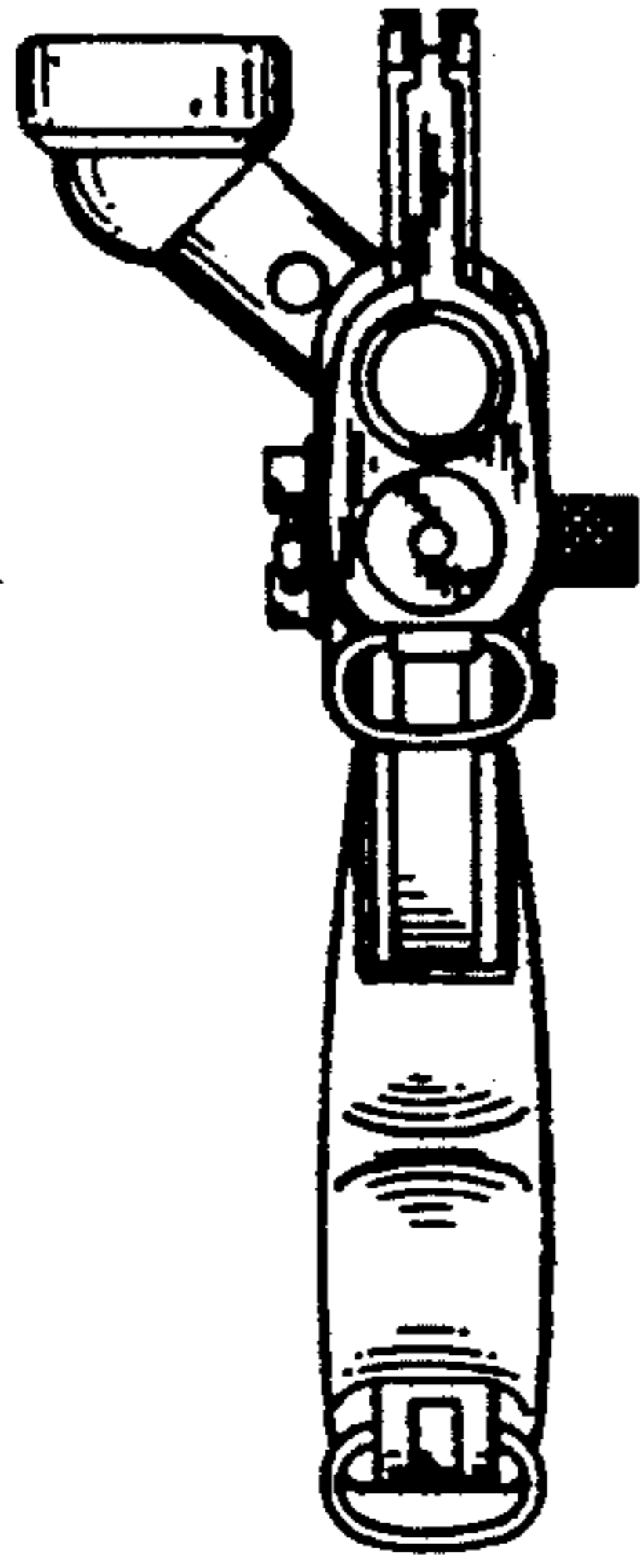


FIG. 5

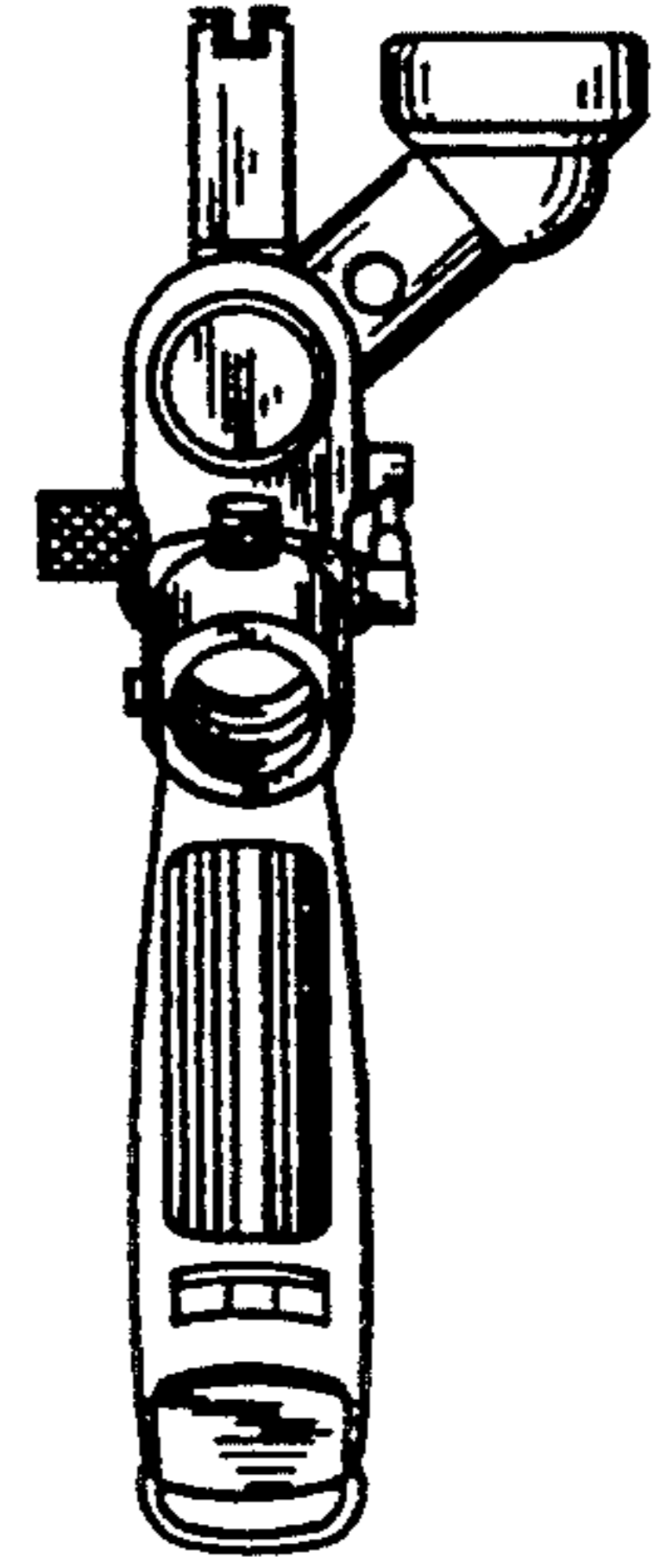


FIG. 6