



US00D359527S

**United States Patent** [19]  
**Svindt**

[11] **Patent Number: Des. 359,527**  
[45] **Date of Patent: \*\* Jun. 20, 1995**

[54] **AIRPORT BUILDING TOY**

[76] **Inventor: Ferenc Svindt, Bartók Béla út 61, 8114 Budapest, Hungary**

[\*\*] **Term: 14 Years**

[21] **Appl. No.: 932,360**

[22] **Filed: Oct. 23, 1992**

[52] **U.S. Cl. .... D21/118**

[58] **Field of Search ..... D21/118, 119, 144; D10/2; 446/476, 7; D25/6**

[56] **References Cited**

**U.S. PATENT DOCUMENTS**

D. 233,458	10/1974	Reiling .....	D21/119
D. 238,954	2/1976	Crawford .....	D21/118
D. 251,813	5/1979	Okado .....	D21/118
D. 267,570	1/1983	Argandona .....	D21/118
3,841,018	10/1974	Reiling .....	446/476

**OTHER PUBLICATIONS**

F.A.O. Schwarz Toy Catalog '84 p. 15 #98.

*Primary Examiner*—Terry A. Wallace

*Assistant Examiner*—R. Barkai

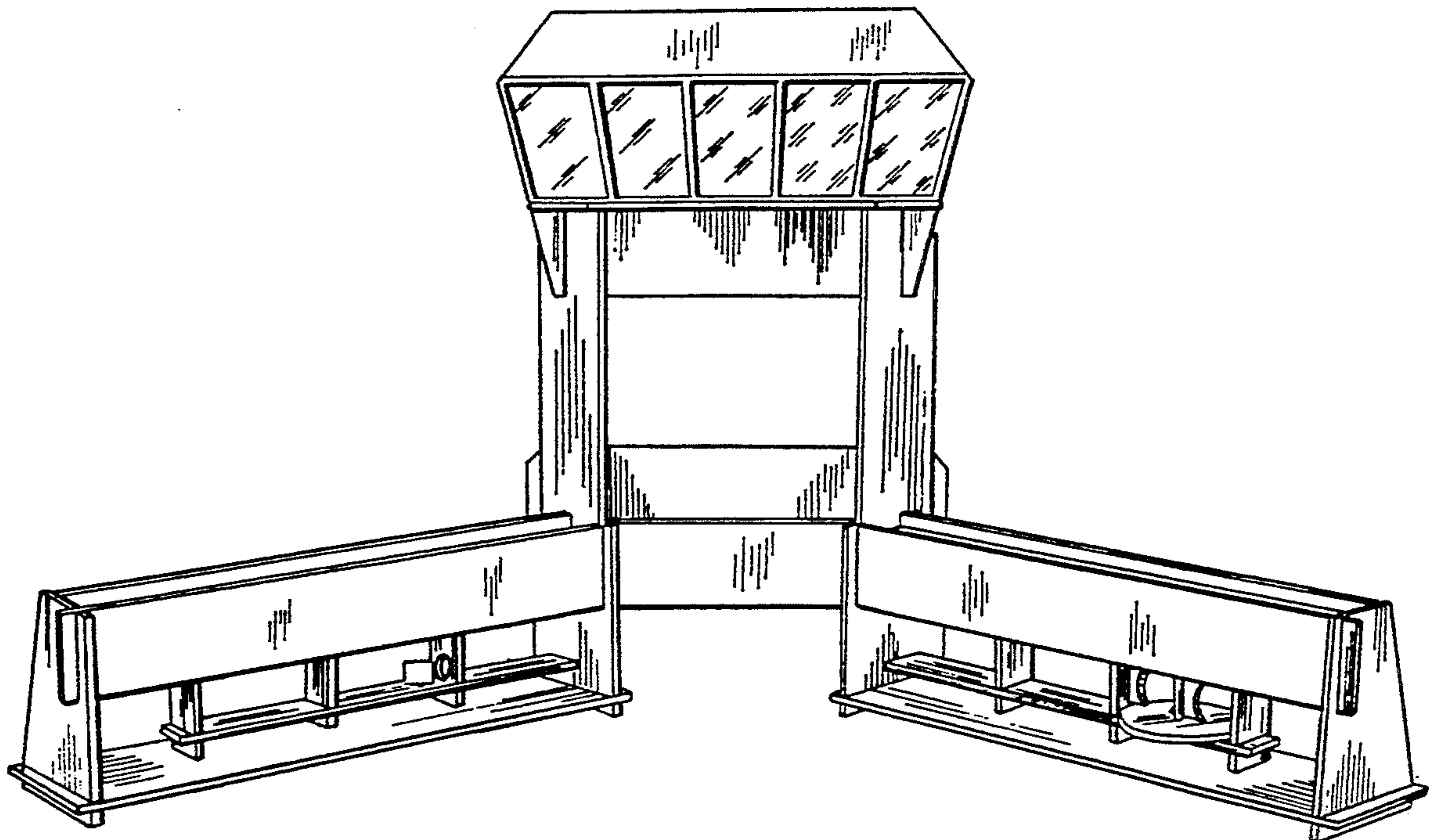
*Attorney, Agent, or Firm*—Schweitzer Cornman & Gross

[57] **CLAIM**

The ornamental design for the airport building toy, as shown and described.

**DESCRIPTION**

FIG. 1 is a front view of the airport building toy; FIG. 2 is a top view of the airport building toy; FIG. 3 is a partial frontal view of the airport building toy taken in the direction of the arrow 3 in FIG. 2; FIG. 4 is a partial frontal view of the airport building toy taken in the direction of the arrow 4 in FIG. 2; FIG. 5 is a partial frontal view of the airport building toy taken in the direction of the arrow 5 in FIG. 2; FIG. 6 is a rear view of the airport building toy; and, FIG. 7 is a left side elevations view of the airport building toy.



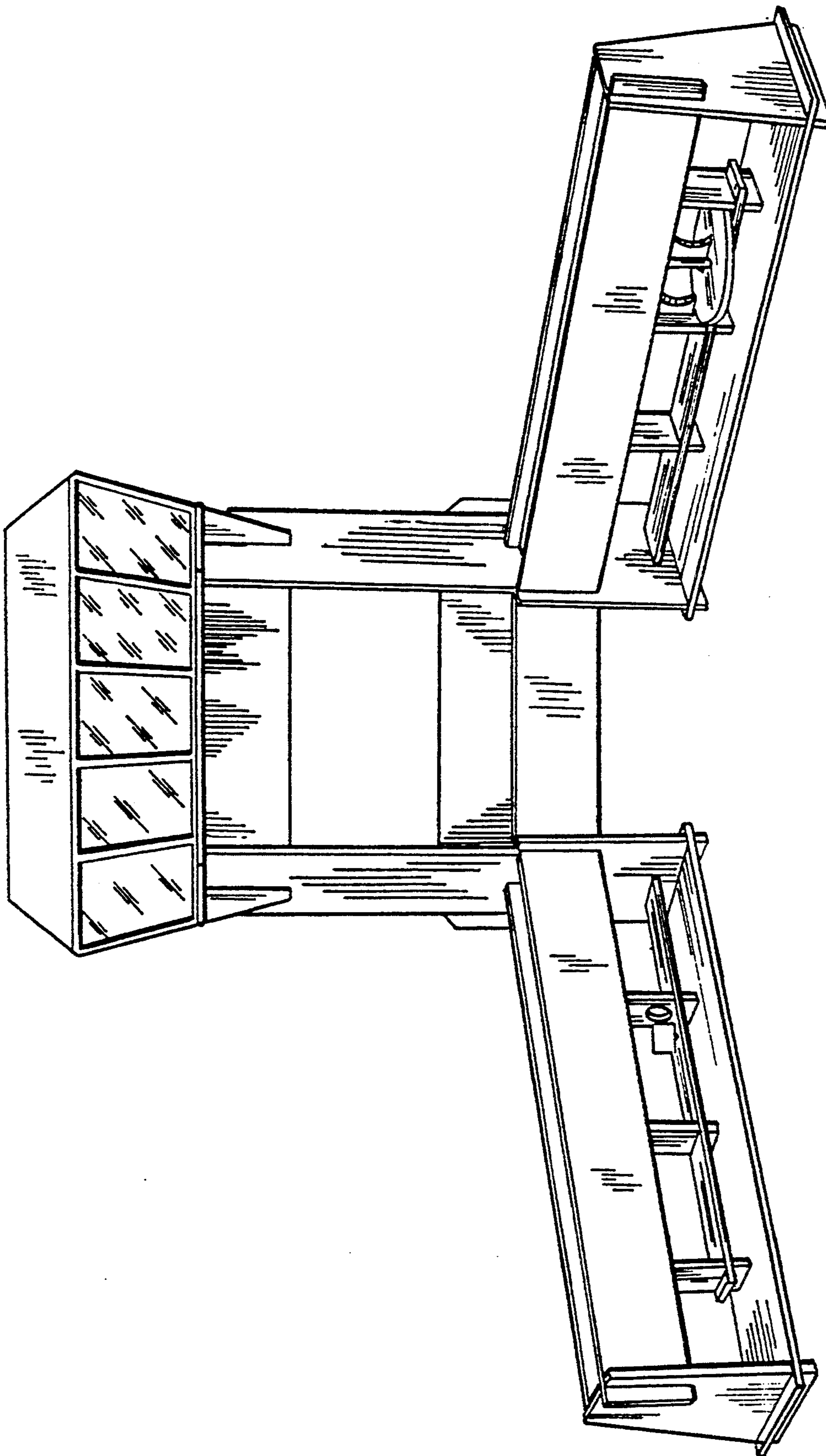


FIG. 1

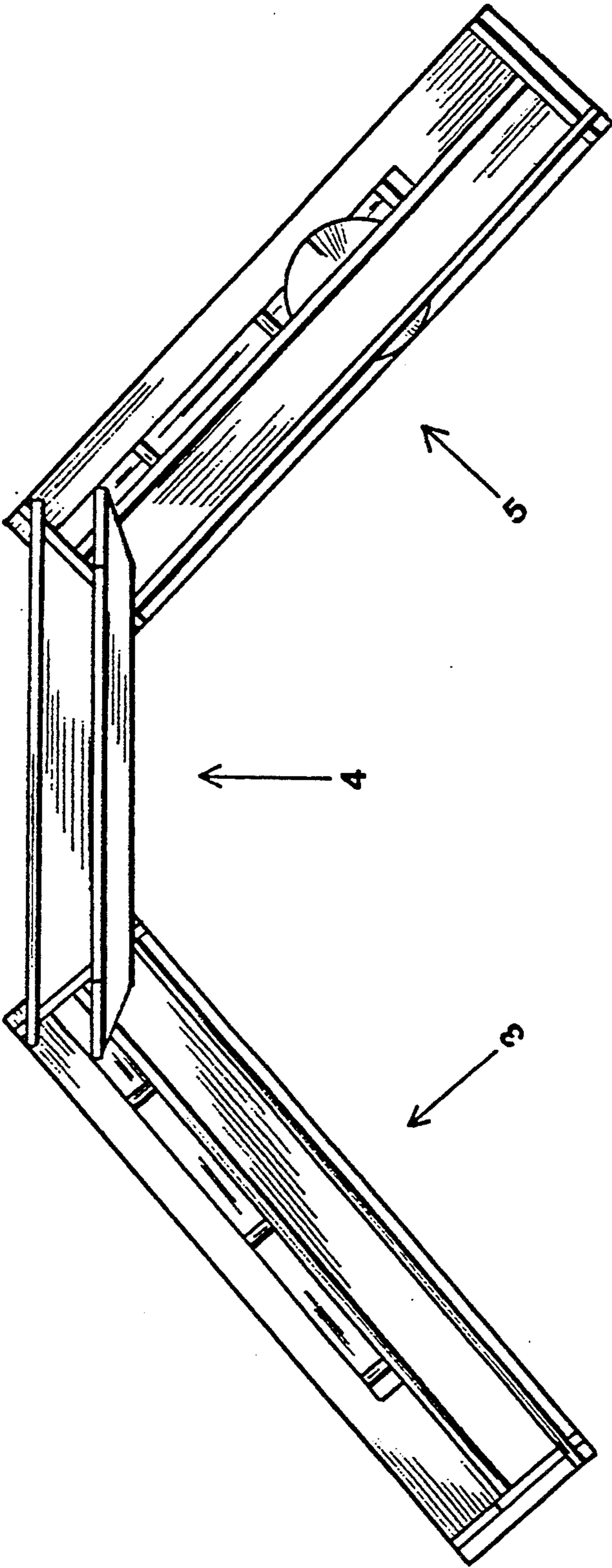


FIG. 2

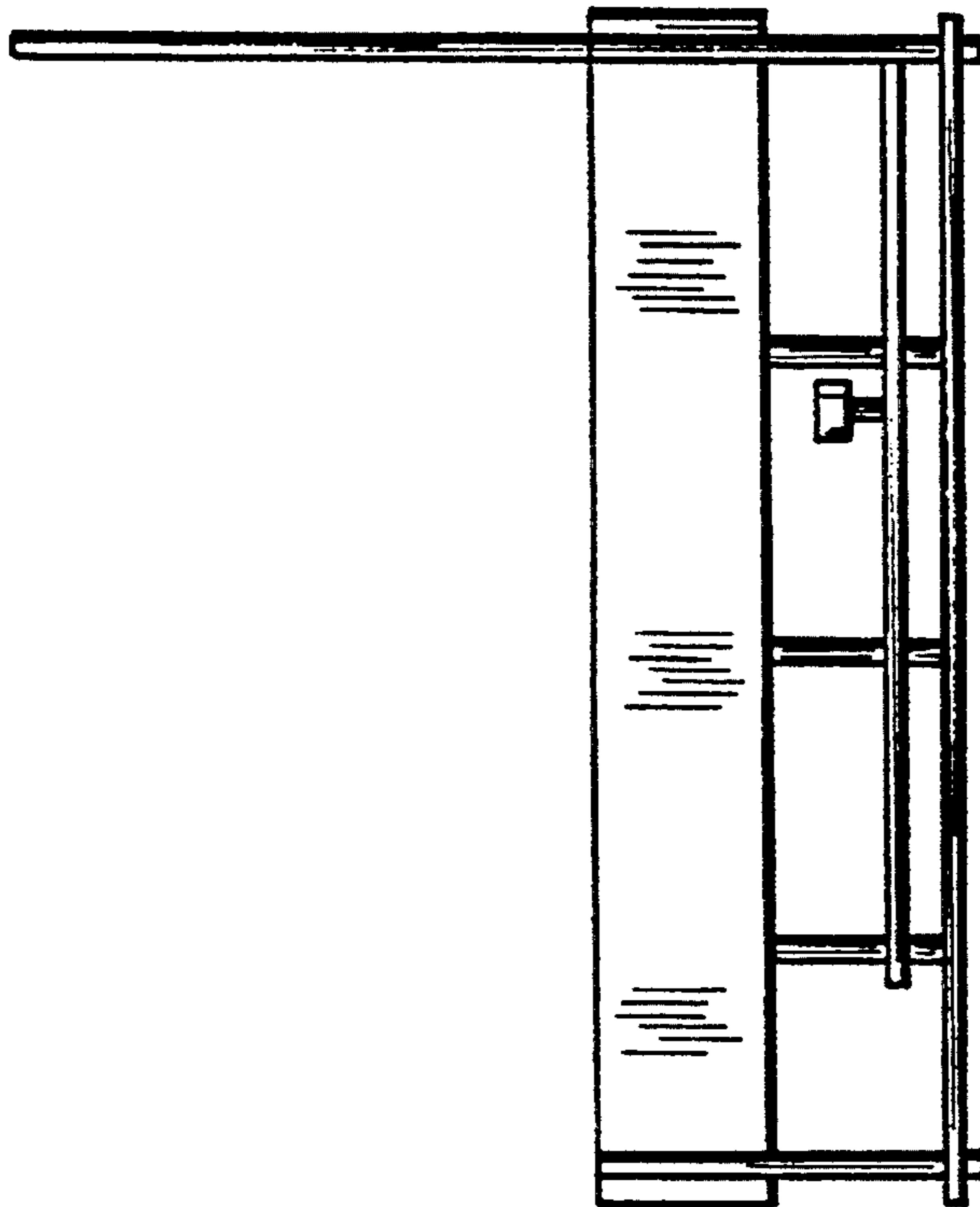


FIG. 3

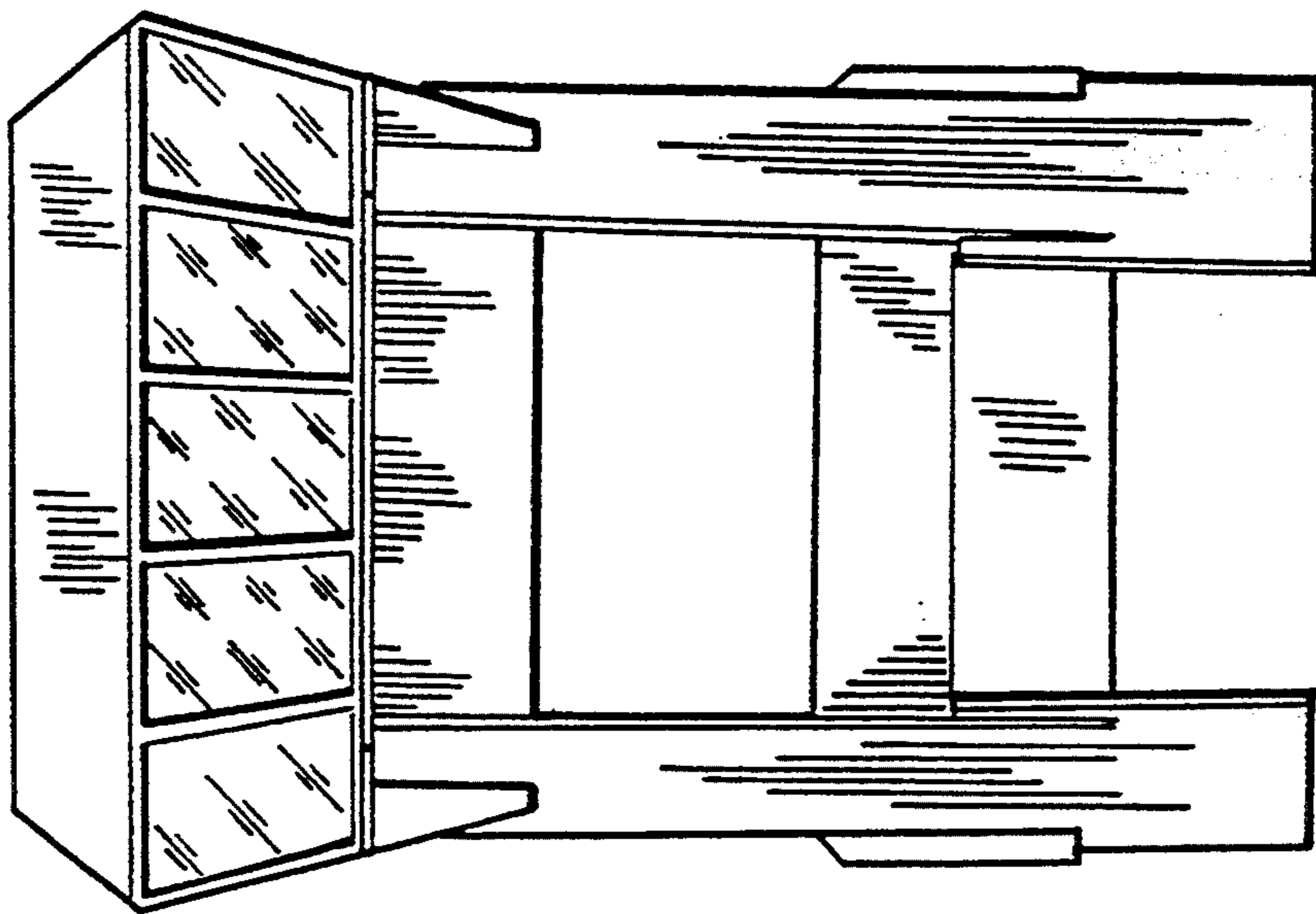


FIG. 4

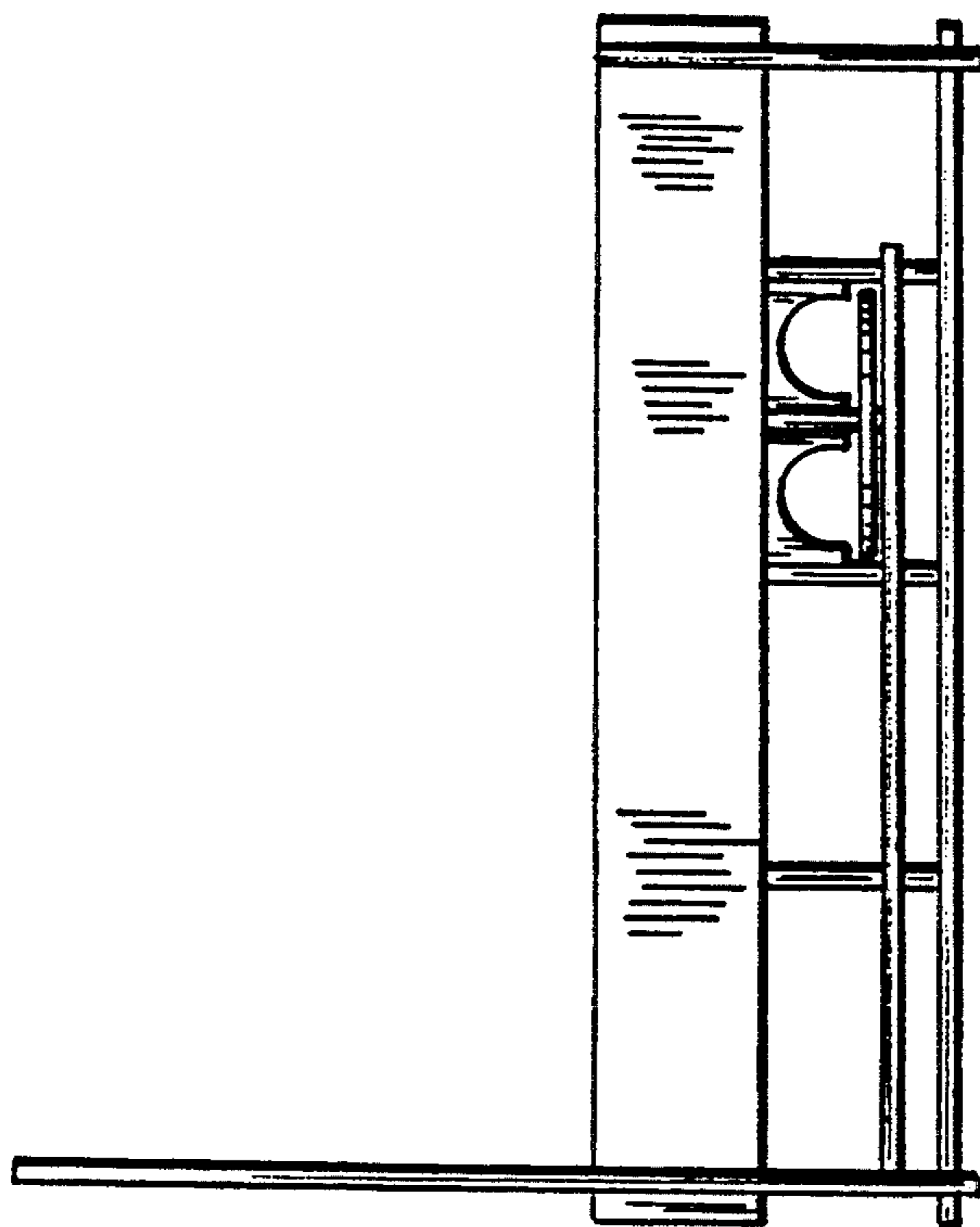


FIG. 5

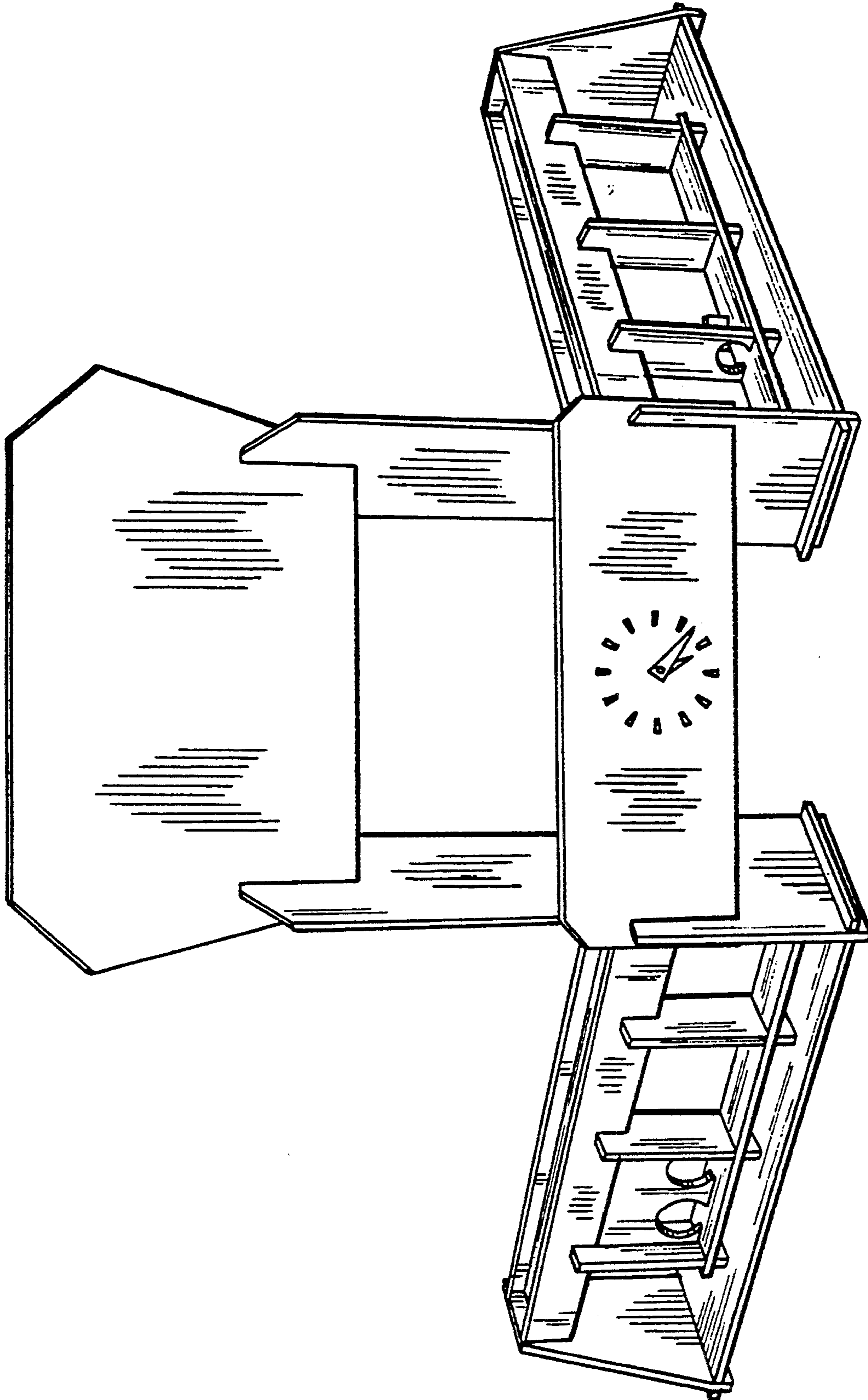
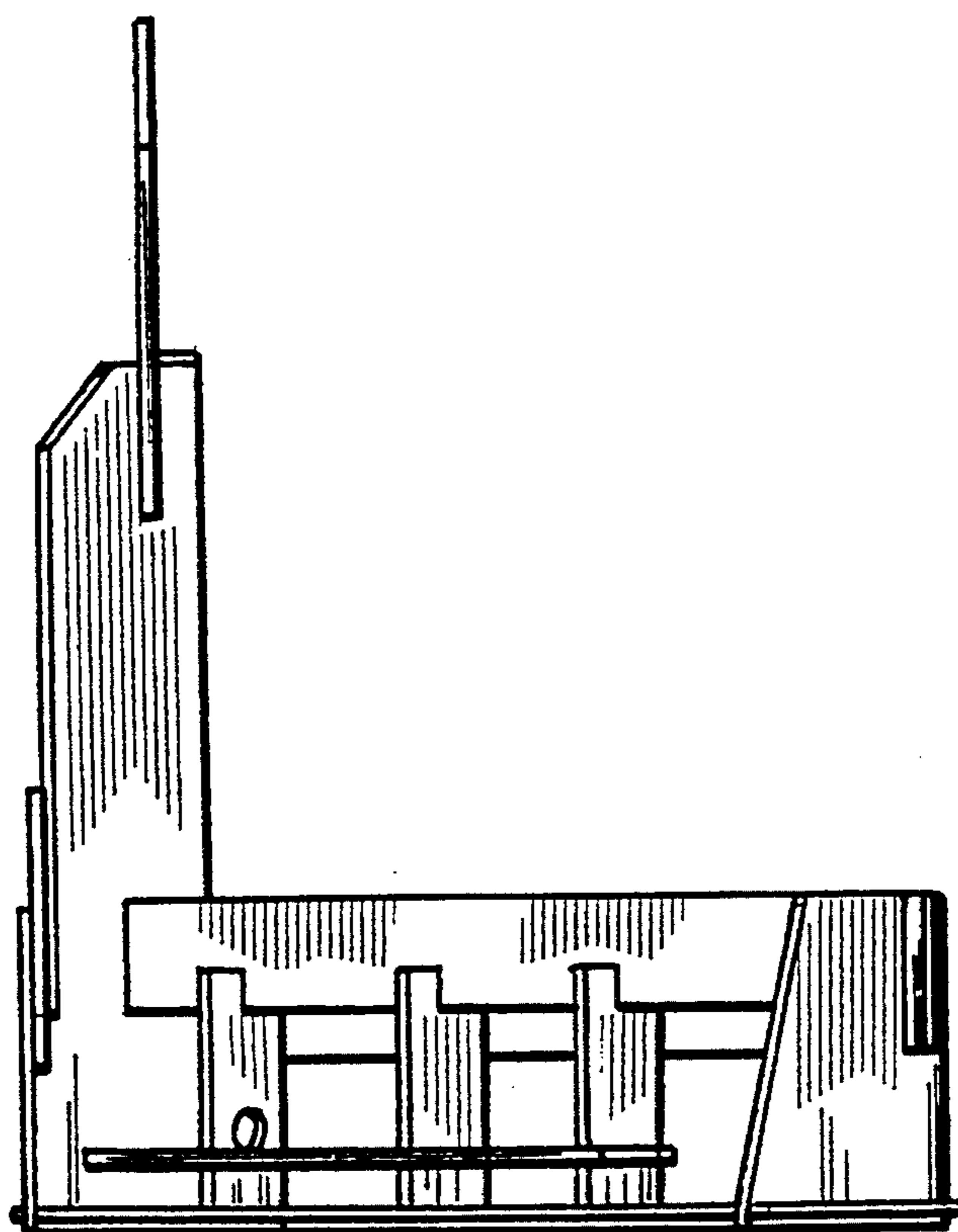


FIG. 6



*FIG. 7*