



US00D359518S

# United States Patent [19]

[11] Patent Number: **Des. 359,518**

Mathews

[45] Date of Patent: **\*\* Jun. 20, 1995**

[54] **REMOTE CONTROL DEVICE FOR A GAMING MACHINE**

[75] Inventor: **Linton Mathews, Las Vegas, Nev.**

[73] Assignee: **Best Bet Products, Inc., Las Vegas, Nev.**

[\*\*] Term: **14 Years**

[21] Appl. No.: **19,944**

[22] Filed: **Mar. 15, 1994**

[52] U.S. Cl. .... **D21/48**

[58] Field of Search ..... **D21/48, 13; D14/218; D13/162-164, 168, 184; 273/433-438, 148 B, DIG. 28**

[56] **References Cited**

**U.S. PATENT DOCUMENTS**

D, 272,921	3/1984	Kim	.....	D21/48
D. 308,666	6/1990	Oesterheld et al.	.....	D13/168
D. 341,837	11/1993	Curbbun	.....	D14/218
D. 344,524	2/1994	Taniguchi	.....	D14/218
D. 353,410	12/1994	Chan	.....	D21/48
4,404,865	9/1983	Kim	.....	273/438 X
4,488,017	12/1984	Lee	.....	273/438 X
4,506,890	3/1985	Murry	.....	273/138
4,799,683	1/1989	Bruner, Jr.	.....	273/138
4,815,733	3/1989	Yokoi	.....	273/438 X
5,096,195	3/1992	Gimmon	.....	273/138
5,240,249	8/1993	Czarnecki et al.	.....	273/85
5,259,626	11/1993	Ho	.....	273/438

**FOREIGN PATENT DOCUMENTS**

2057174	3/1981	United Kingdom .
WO92/09341	6/1992	WIPO .

**OTHER PUBLICATIONS**

Atari Video Games, p. 30.

Consumer Reports, Nov. 1977, p. 633.

*Primary Examiner*—Prabhakar G. Deshmukh

*Attorney, Agent, or Firm*—John Edward Roethel

[57] **CLAIM**

The ornamental design for remote control device for a gaming machine, as shown and described.

**DESCRIPTION**

FIG. 1 is an isometric view of the remote control device for a gaming machine showing my new design, with a gaming machine and connecting wire shown in broken lines. The broken line showing of the gaming machine and connecting wire is for illustrative purposes only and forms no part of the claimed design;

FIG. 2 is a top plan view thereof;

FIG. 3 is a bottom plan view thereof;

FIG. 4 is a left elevational view thereof;

FIG. 5 is a right elevational view thereof;

FIG. 6 is a rear elevational view thereof;

FIG. 7 is a front elevational view thereof;

FIG. 8 is an isometric view of the remote control device for a gaming machine showing an alternative embodiment of my new design, with a gaming machine and connecting wire shown in broken lines. The broken line showing of the gaming machine and connecting wire is for illustrative purposes only and forms no part of the claimed design;

FIG. 9 is a top plan view thereof;

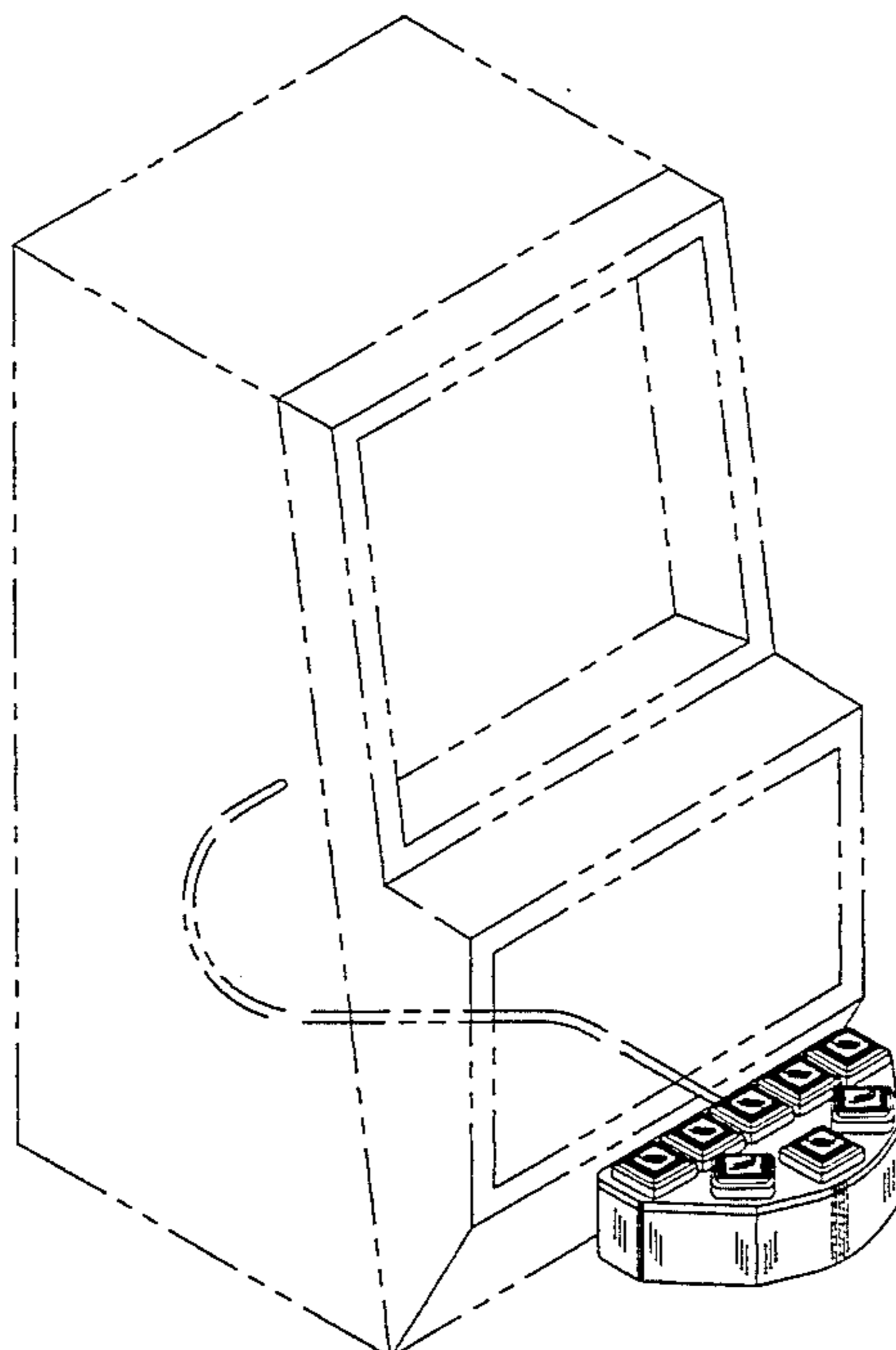
FIG. 10 is a bottom plan view thereof;

FIG. 11 is a left elevational view thereof;

FIG. 12 is a right elevational view thereof;

FIG. 13 is a rear elevational view thereof; and,

FIG. 14 is a front elevational view thereof.



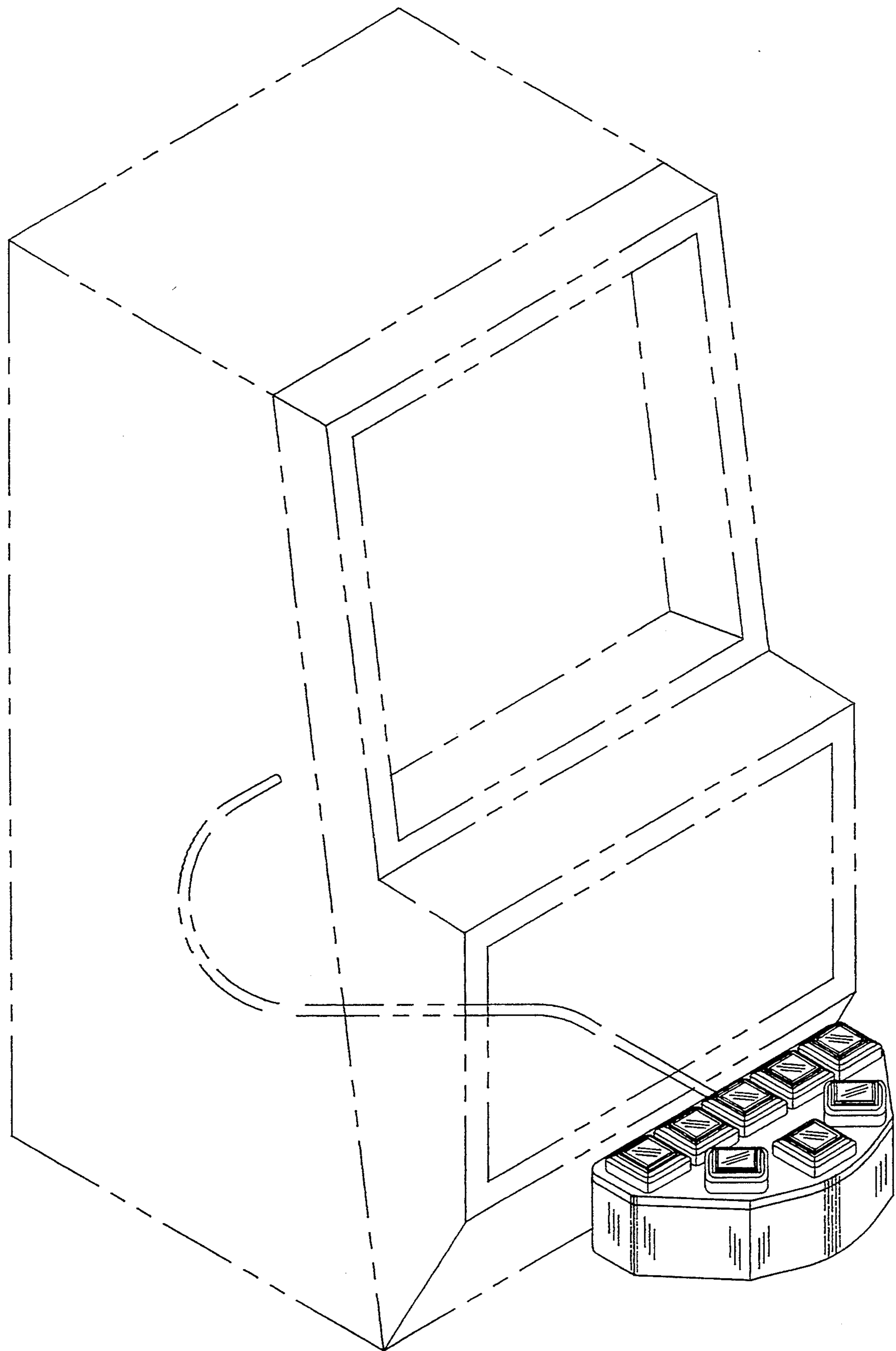


FIG-1

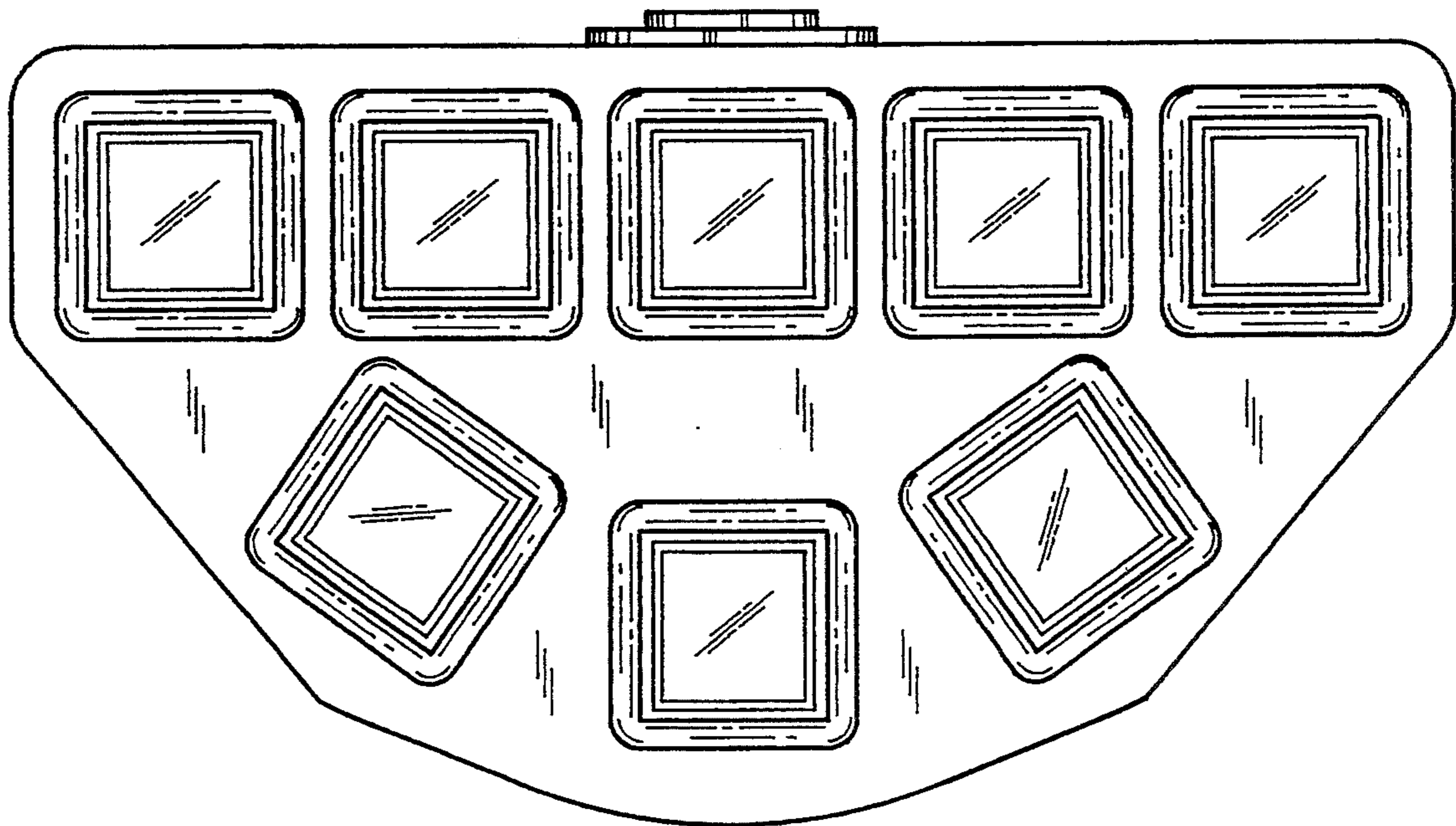


FIG-2

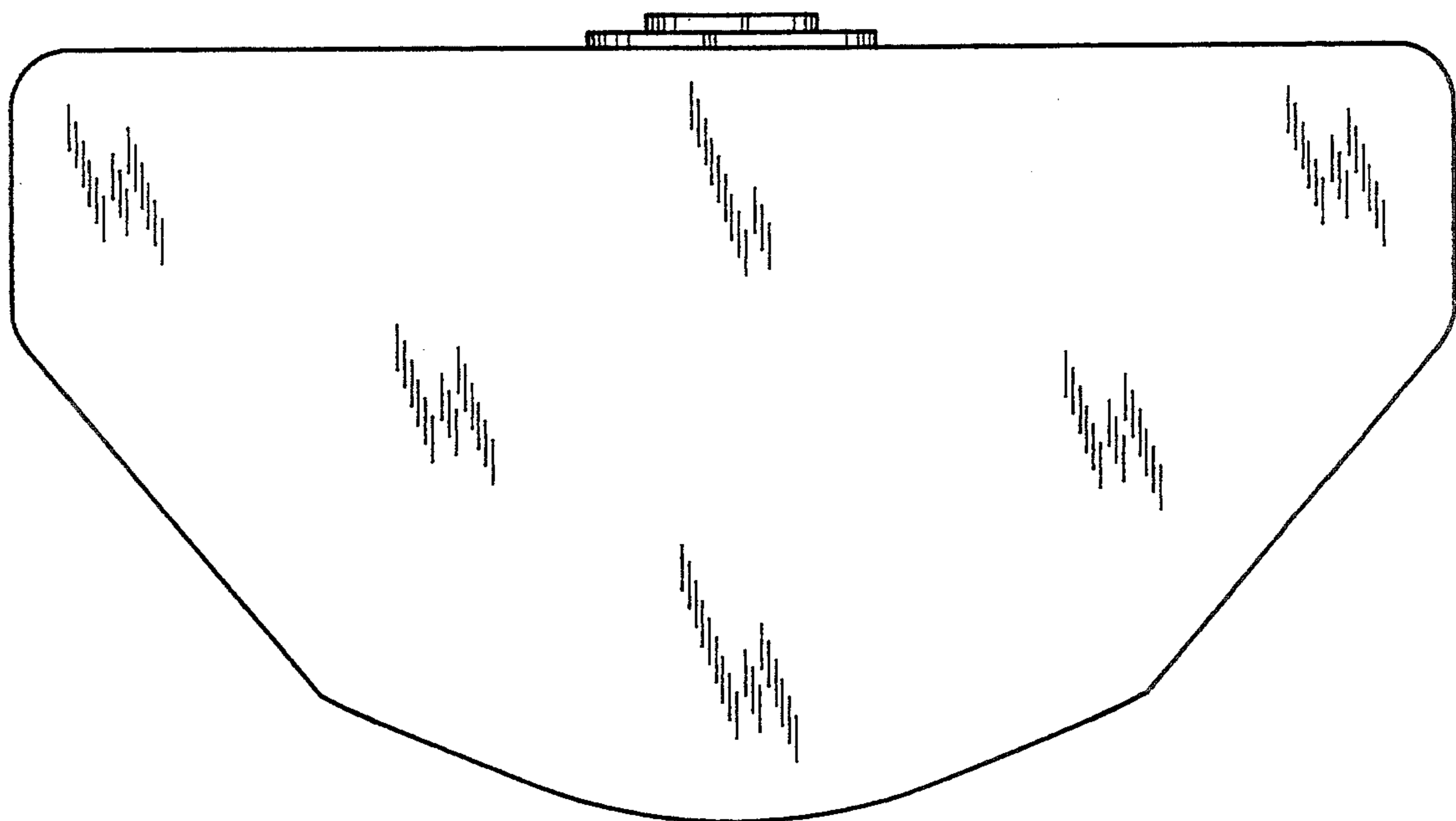


FIG-3



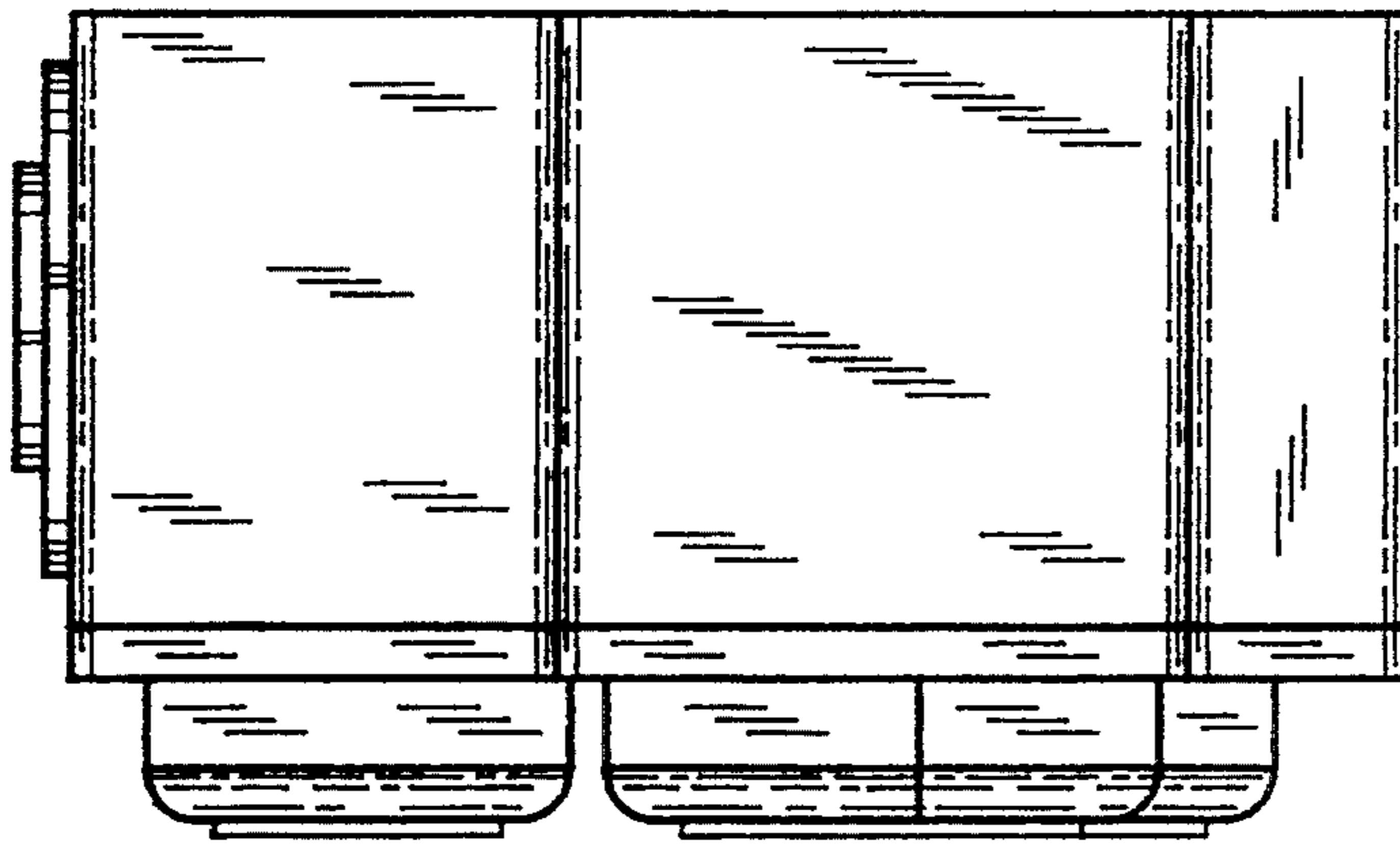


FIG-5

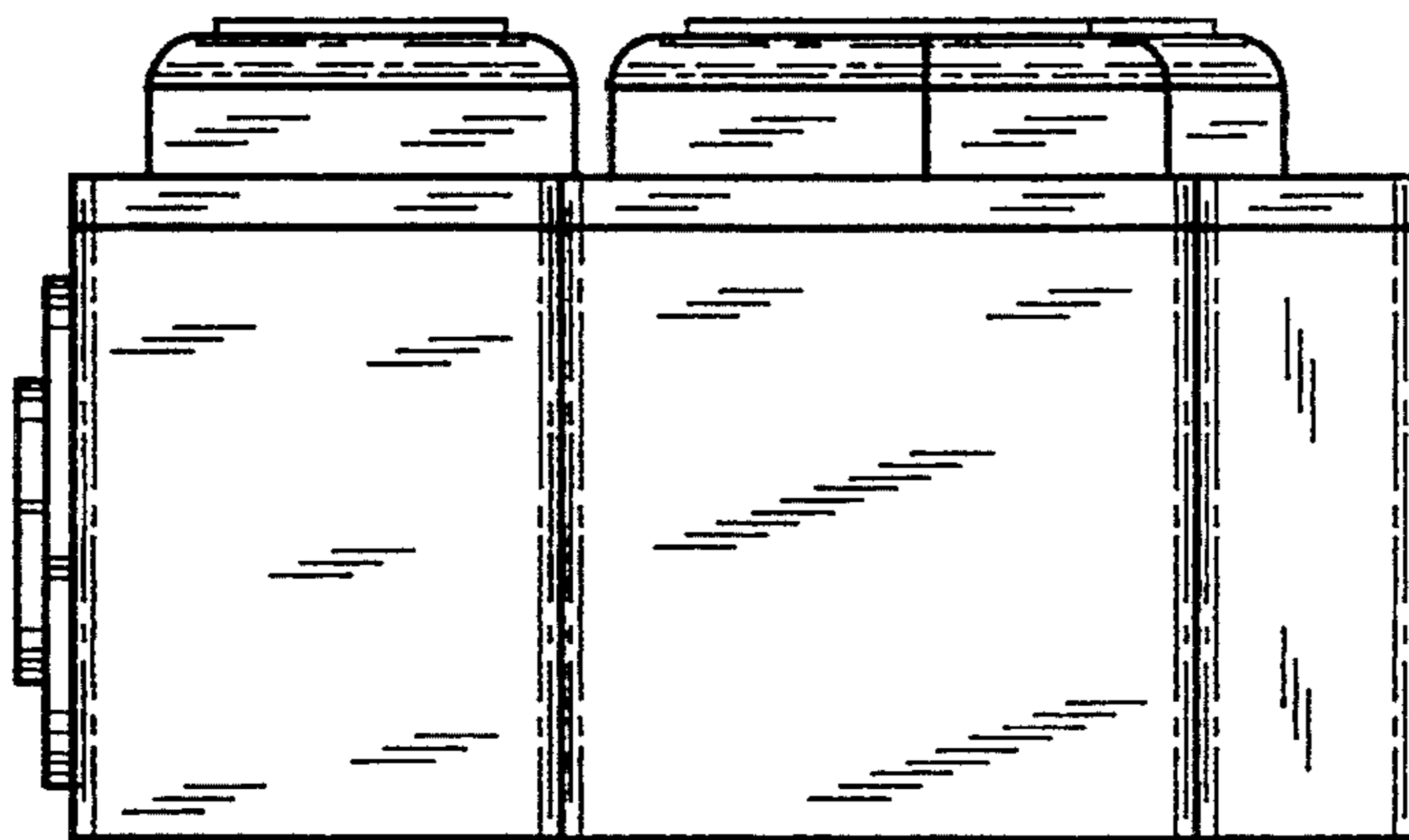


FIG-4

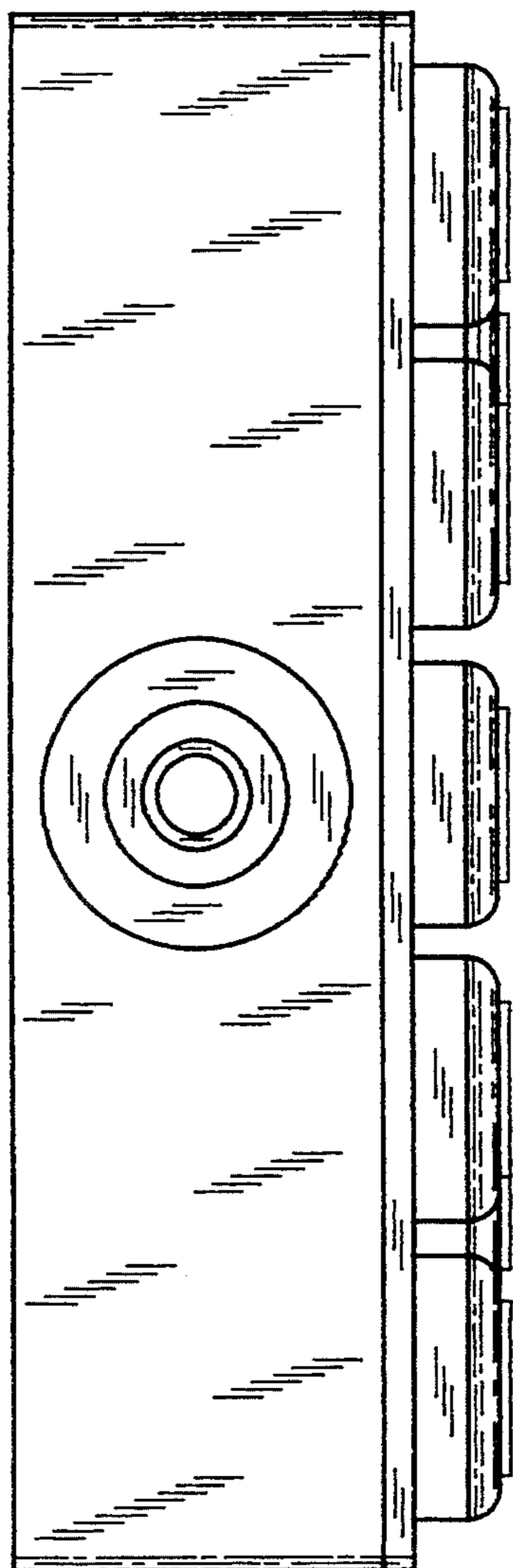


FIG-6

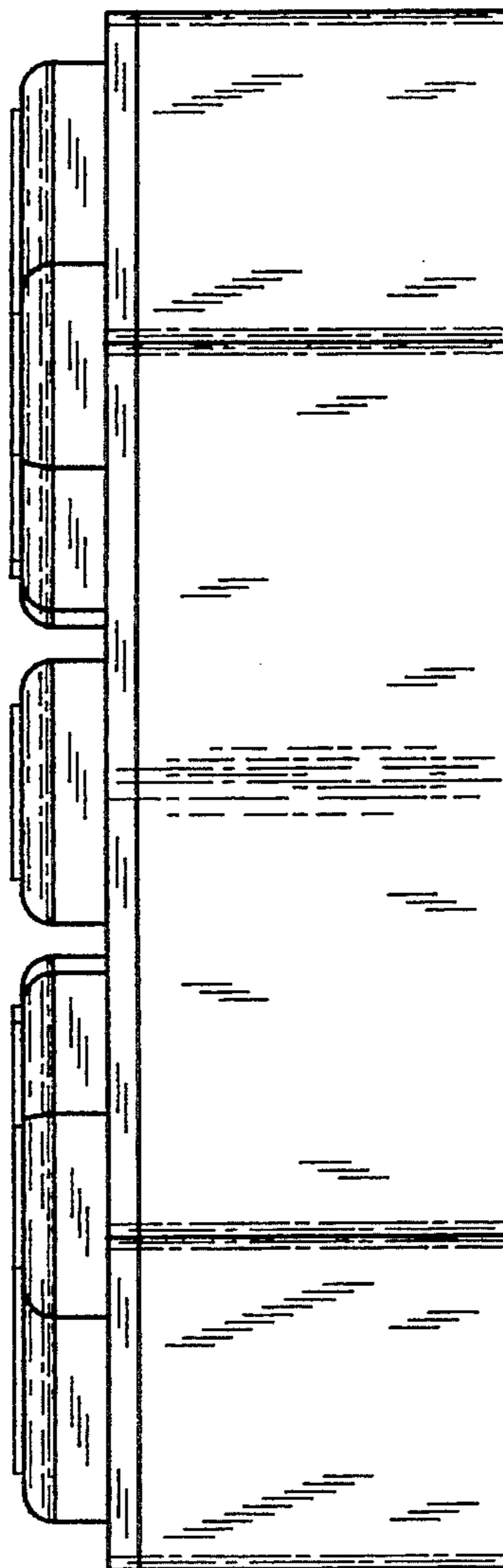


FIG-7

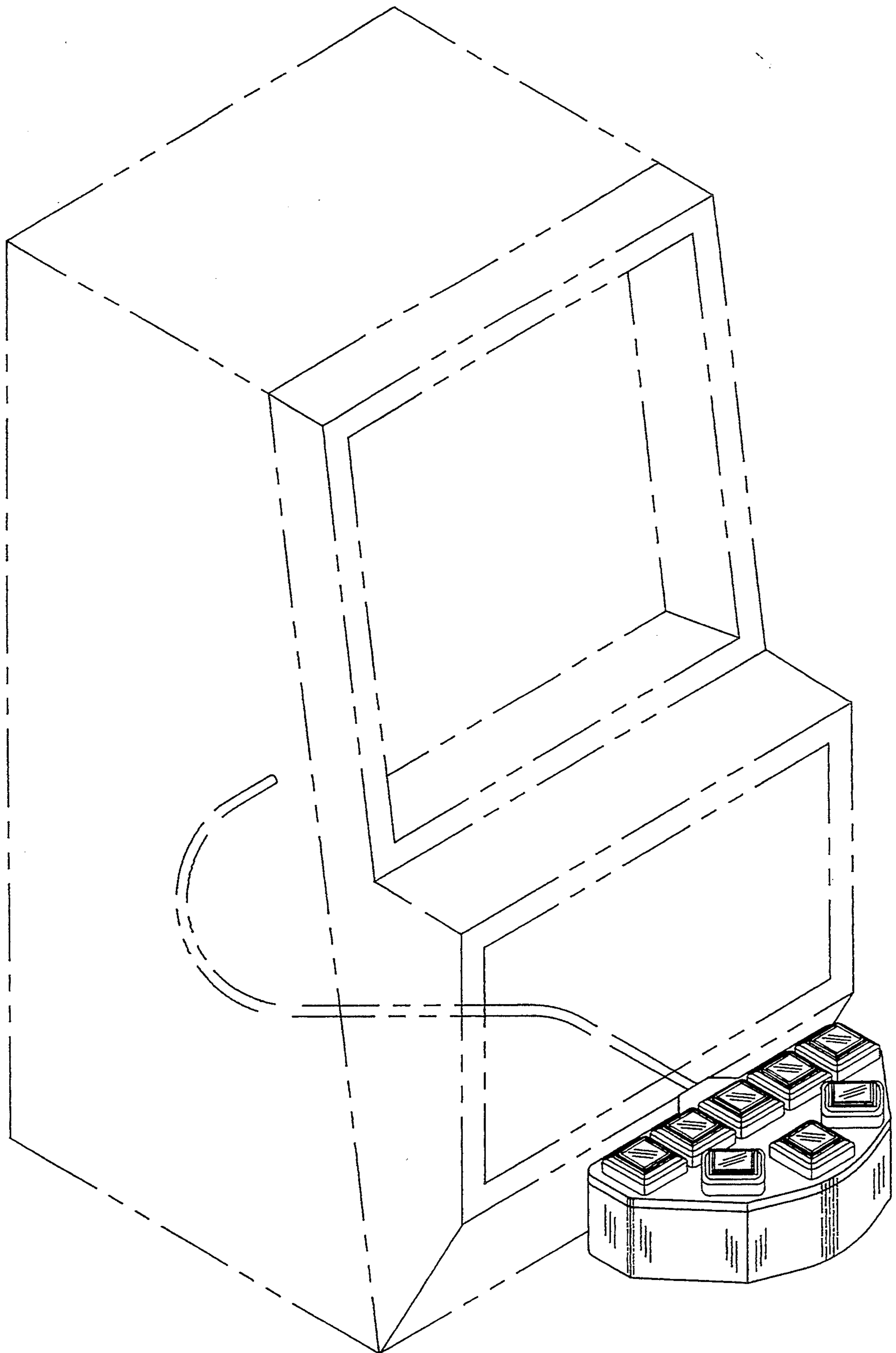


FIG-8

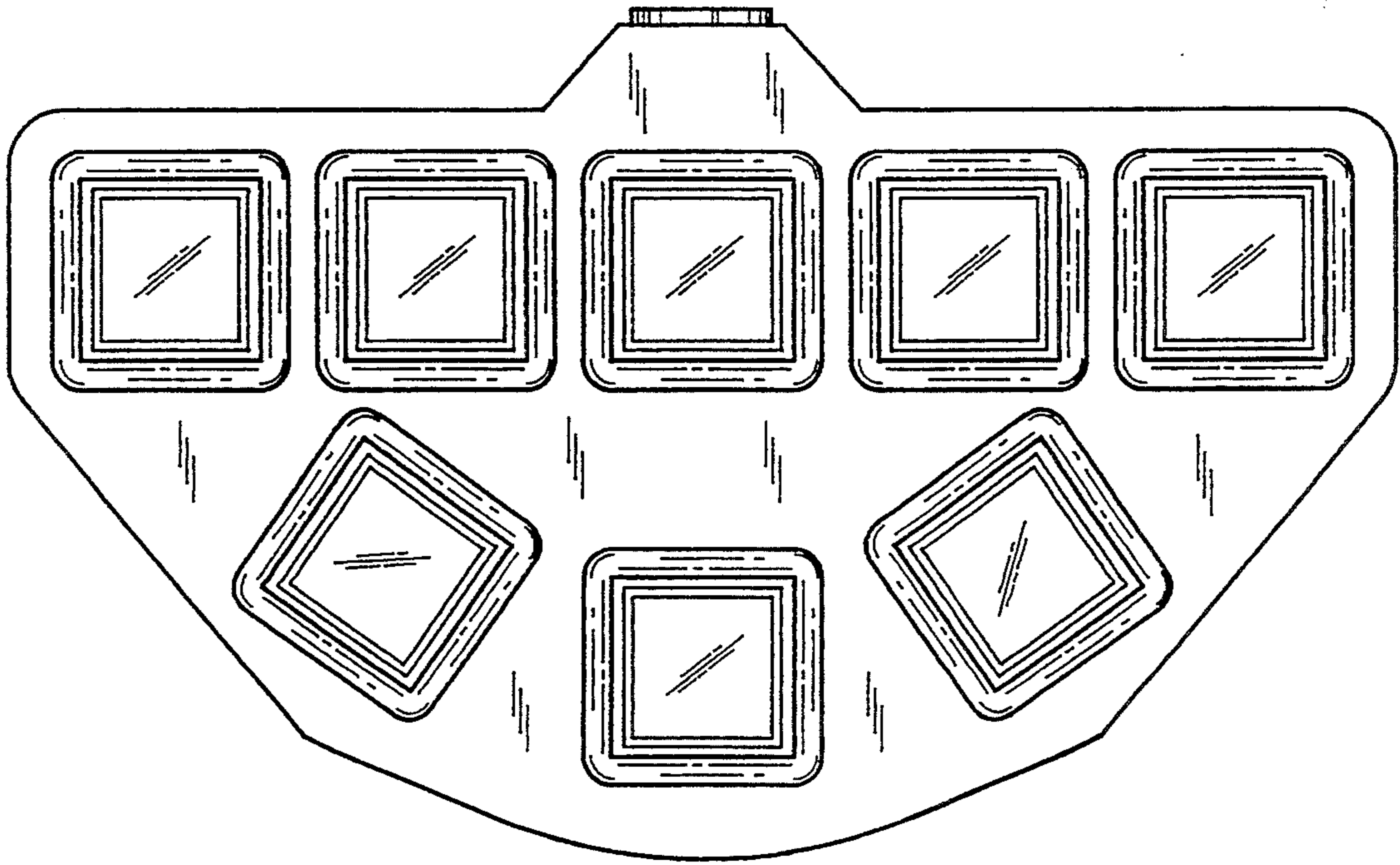


FIG-9

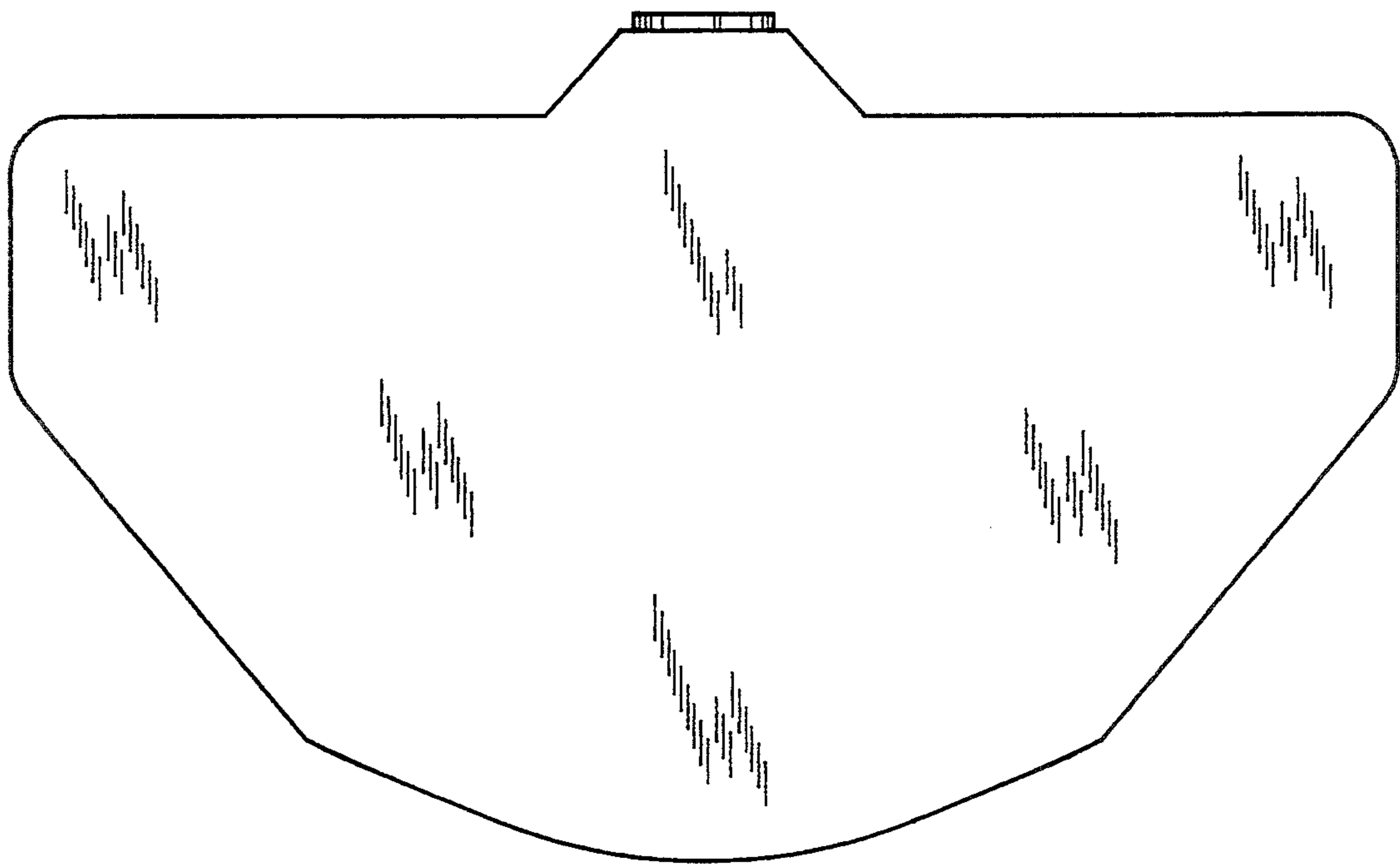


FIG-10

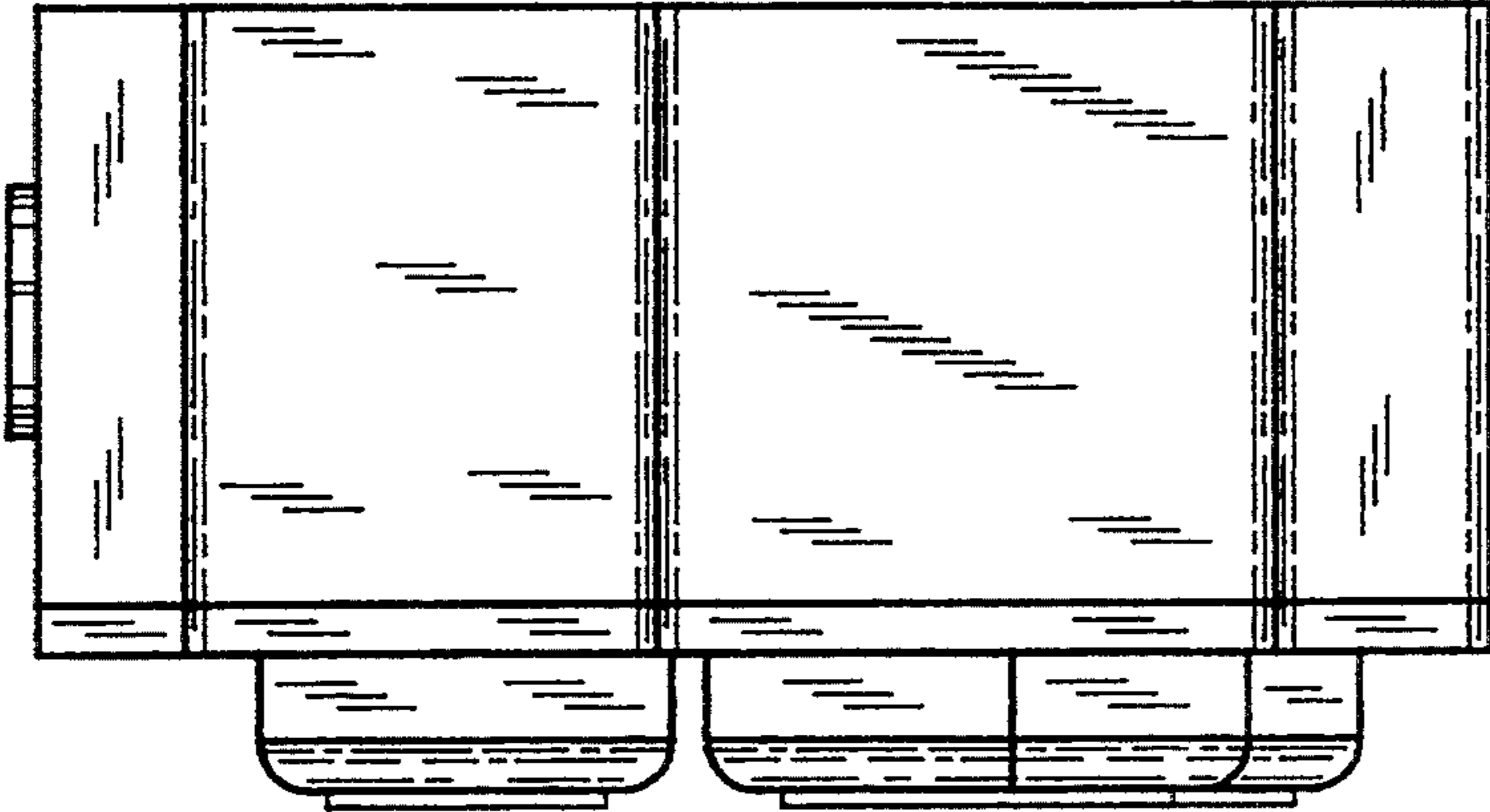


FIG-12

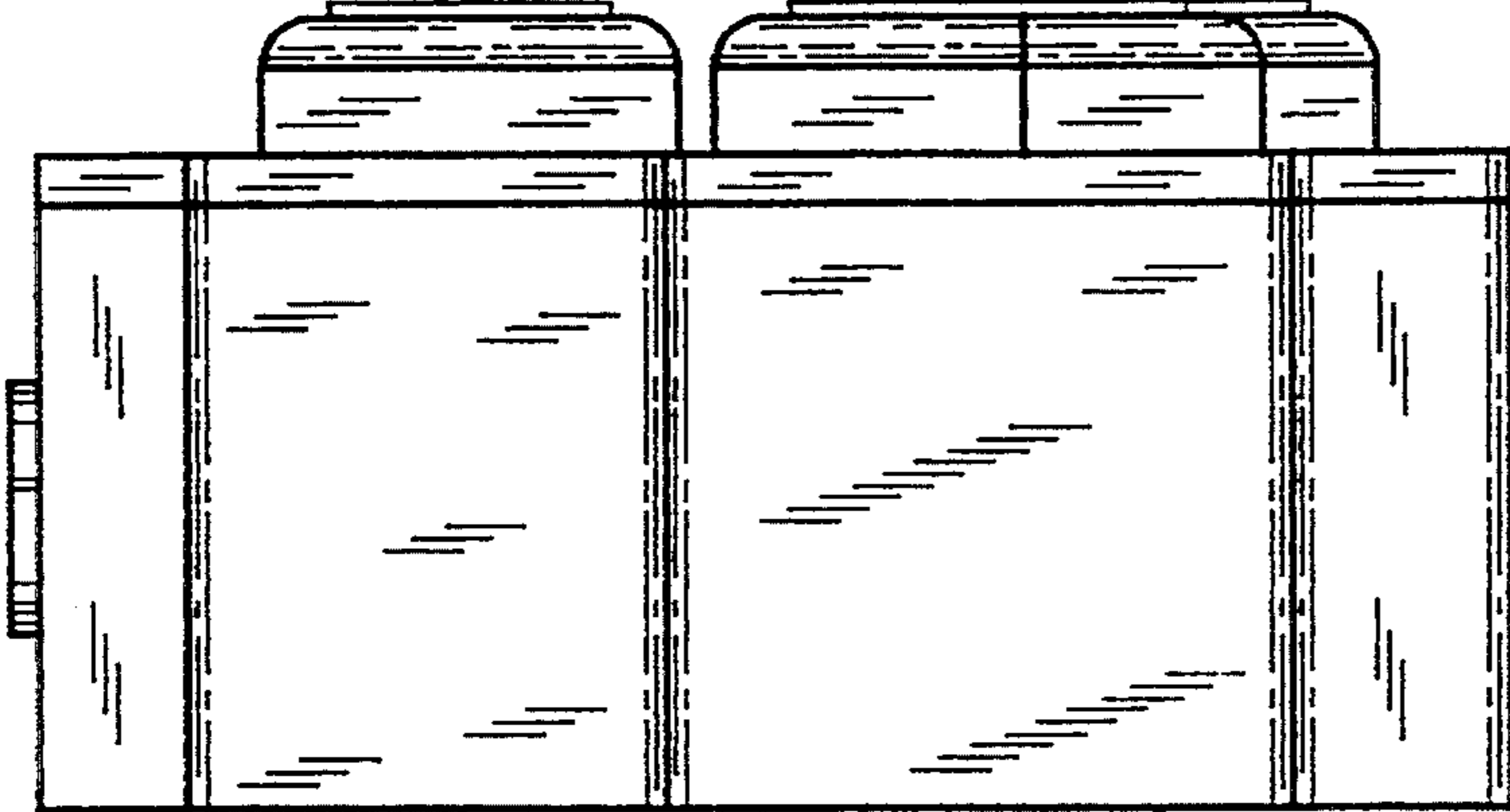


FIG-11



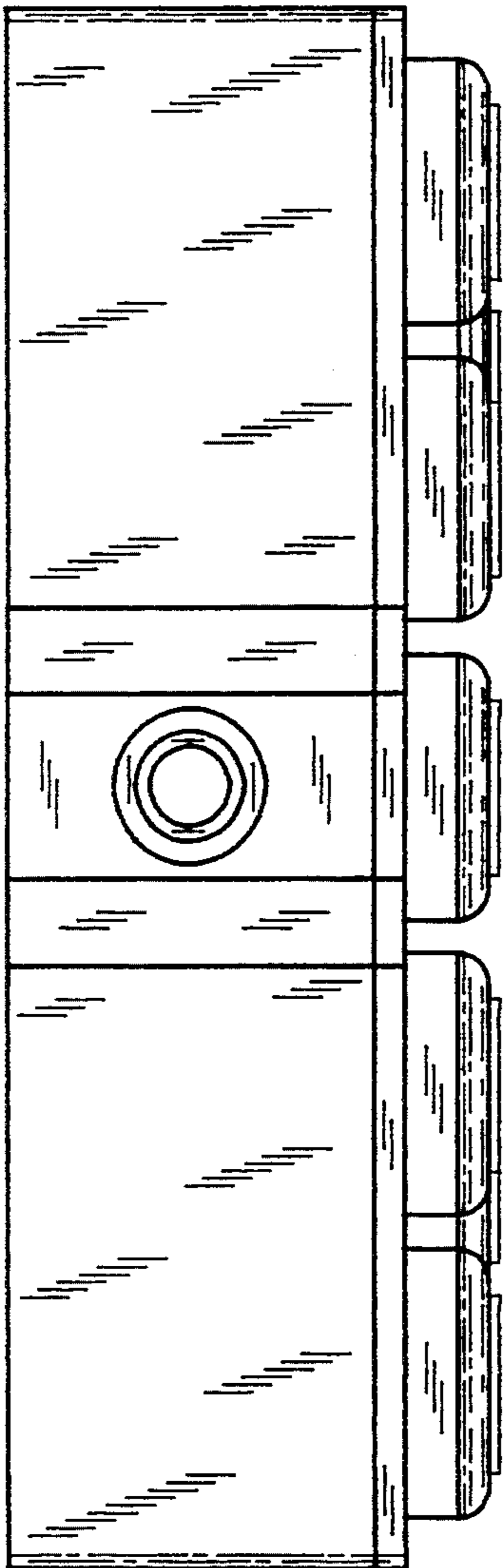


FIG-13

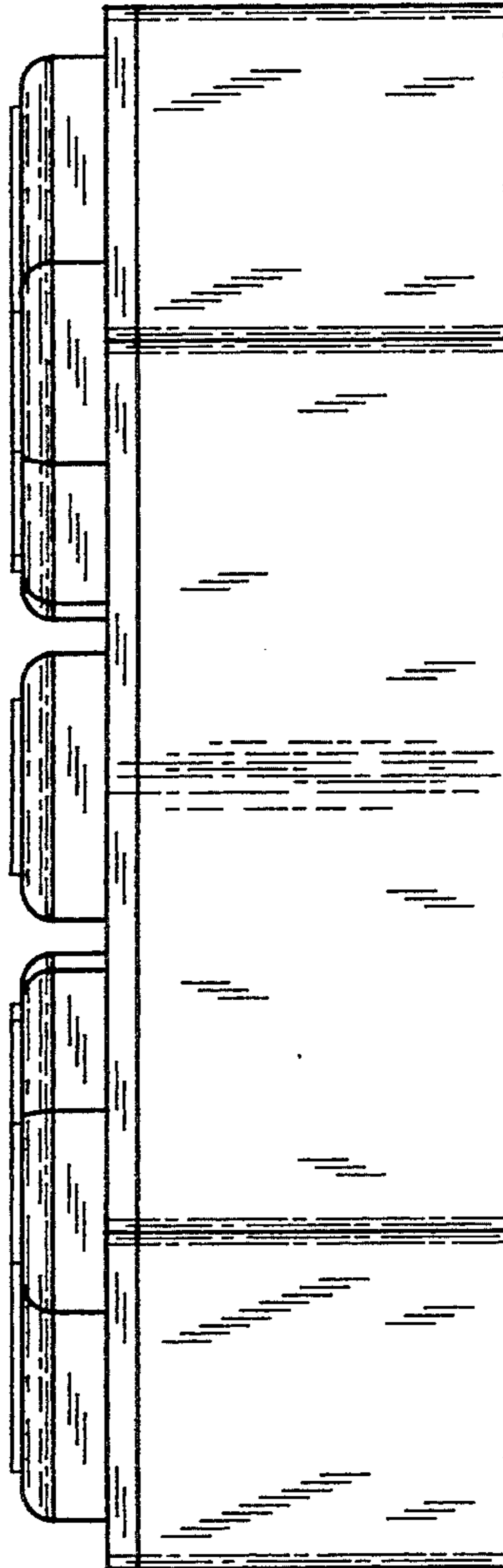


FIG-14