



US00D359516S

United States Patent [19]

[11] Patent Number: **Des. 359,516**

Brettschneider

[45] Date of Patent: **** Jun. 20, 1995**

[54] **GAMING MACHINE**

D. 344,122 2/1994 McKay et al. D21/37
4,948,134 8/1990 Suttle et al. D21/38 X

[75] Inventor: **Dirk I. Brettschneider**, Lübbecke, Germany

FOREIGN PATENT DOCUMENTS

[73] Assignee: **adp Gauselmann GmbH**, Lübbecke, Germany

8906437 10/1990 Germany .
9106375 1/1992 Germany .

[**] Term: **14 Years**

OTHER PUBLICATIONS

[21] Appl. No.: **3,465**

Vending Times, May 1983, p. 64, bottom left—Digital Controls Gaming Machine.
Leaflet: "Video Gaming Products"—by Yellowhammer, Las Vegas, Sep. 1992.

[22] Filed: **Jan. 7, 1993**

[30] **Foreign Application Priority Data**

Primary Examiner—Theodore M. Shooman
Attorney, Agent, or Firm—Horst M. Kasper

Jul. 8, 1992 [DE] Germany M 92 04 905.2

[52] U.S. Cl. **D21/37**

[57] **CLAIM**

[58] Field of Search D14/125-134,
D14/173, 174; 348/825, 838; 312/7.2; D21/1,
37, 38; 273/138 A, 138 R, 144 A, 144 B, 144 R,
142 R, 143 R

The ornamental design for a gaming machine, as shown and described.

[56] **References Cited**

DESCRIPTION

U.S. PATENT DOCUMENTS

D. 154,412 7/1949 Merhar D21/37 X
D. 184,969 4/1959 Sundberg D14/173
D. 219,992 2/1971 Belokin, Jr. D21/38
D. 291,887 9/1987 Oscar D14/129

FIG. 1 is a front and left side perspective view of a gaming machine showing my new design;
FIG. 2 is a front view thereof;
FIG. 3 is a left side view thereof, the right side being a mirror image;
FIG. 4 is a rear view thereof; and,
FIG. 5 is a top plan view thereof.

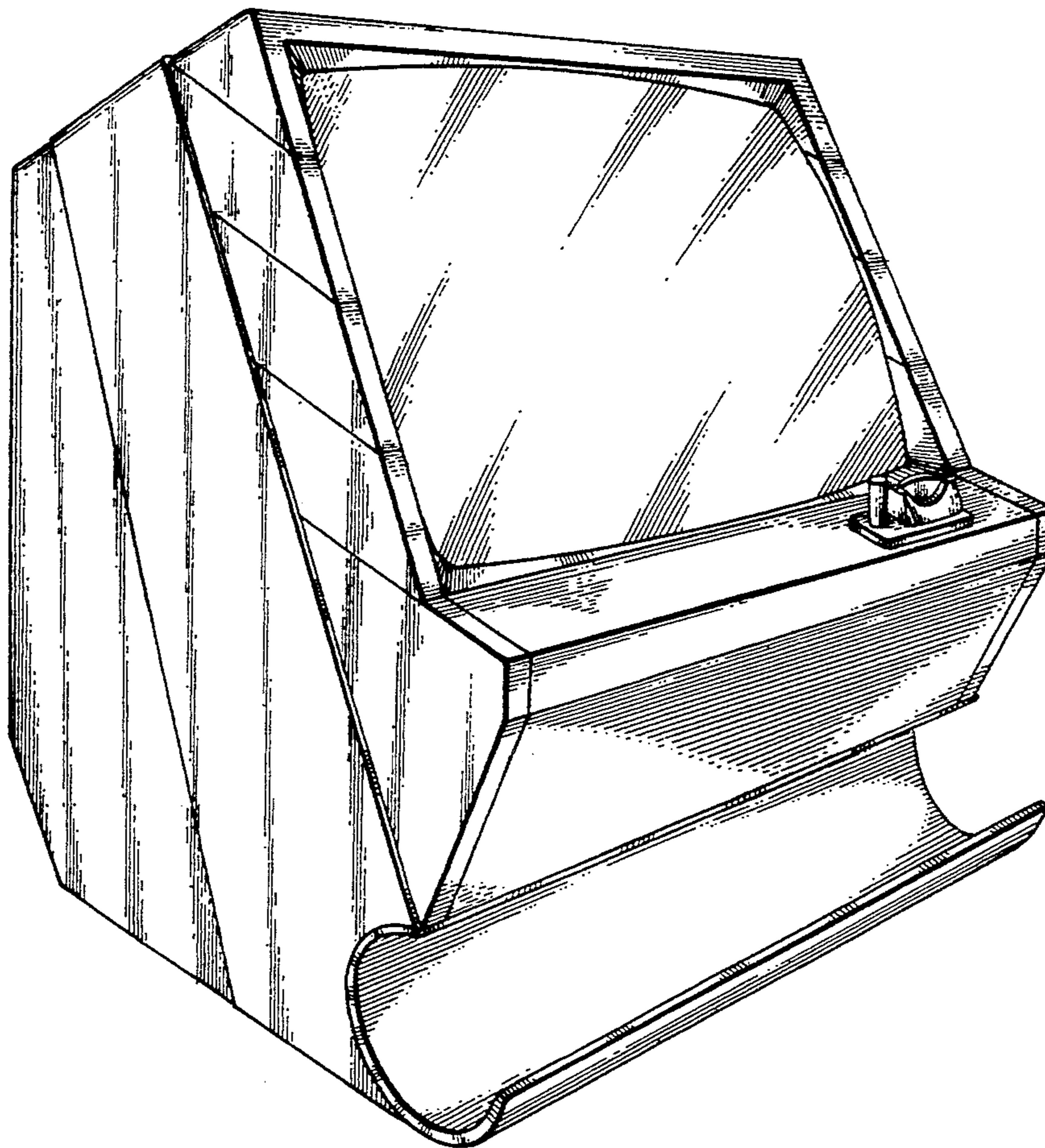


FIG. 1

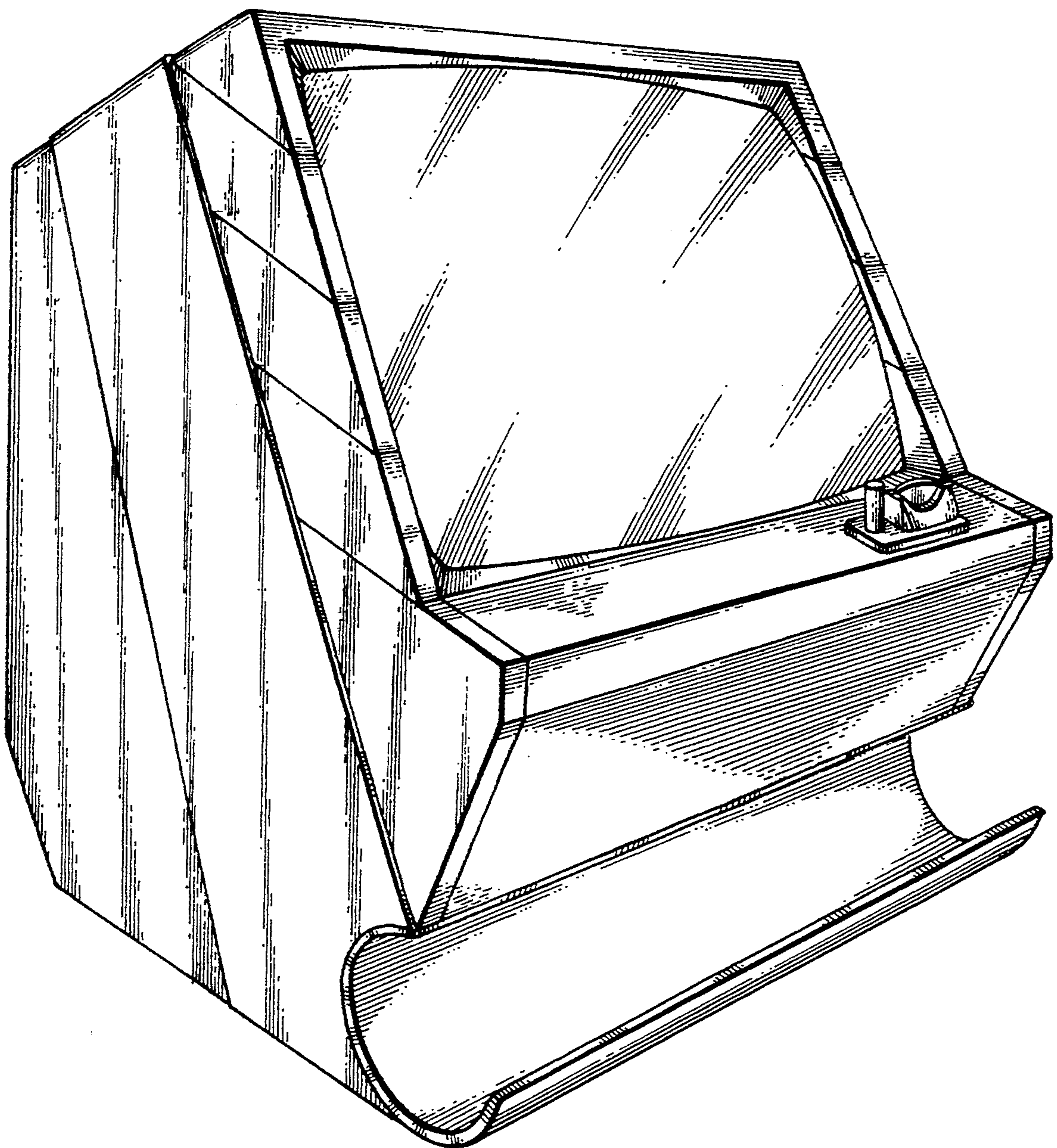


FIG. 2

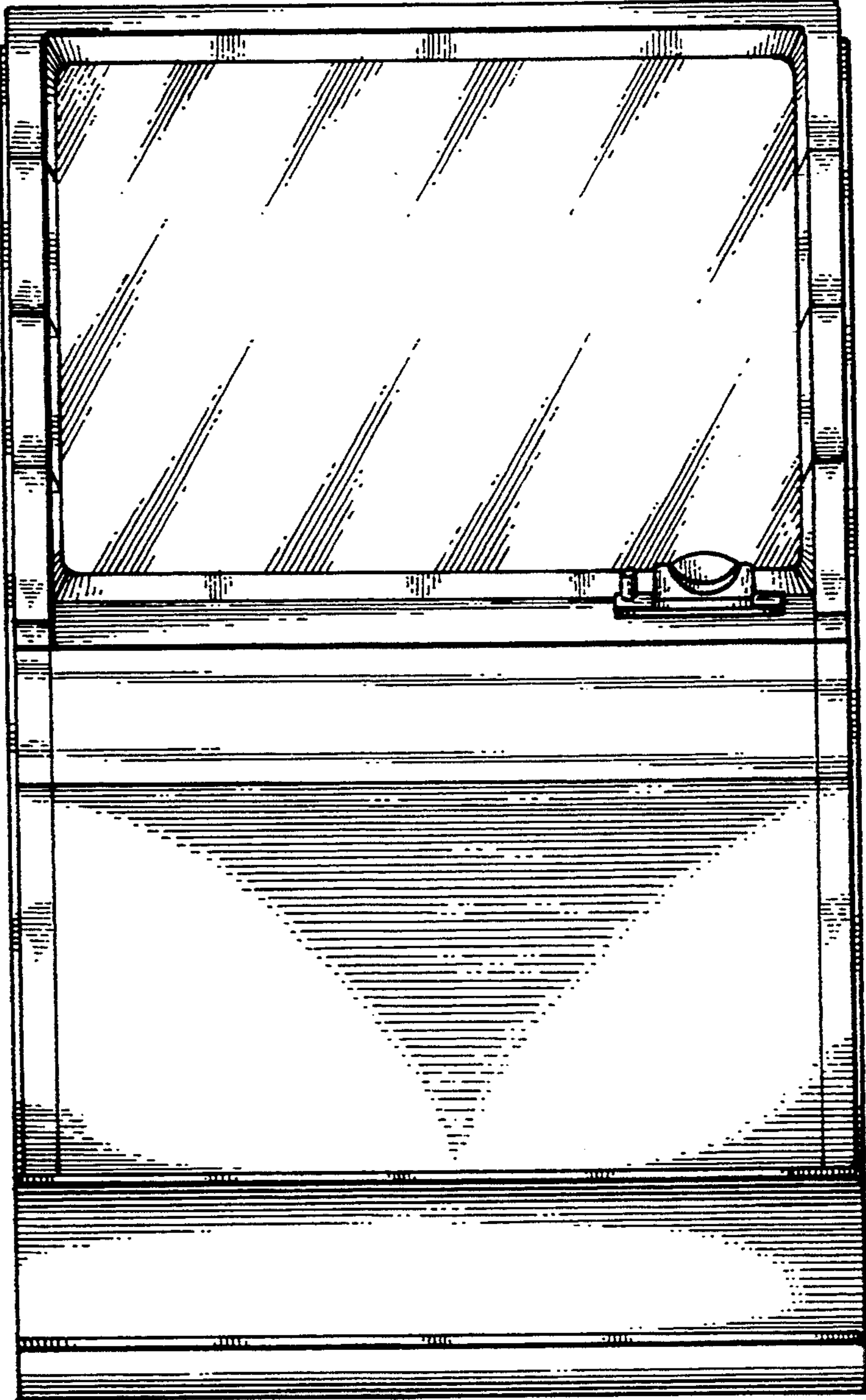


FIG. 3

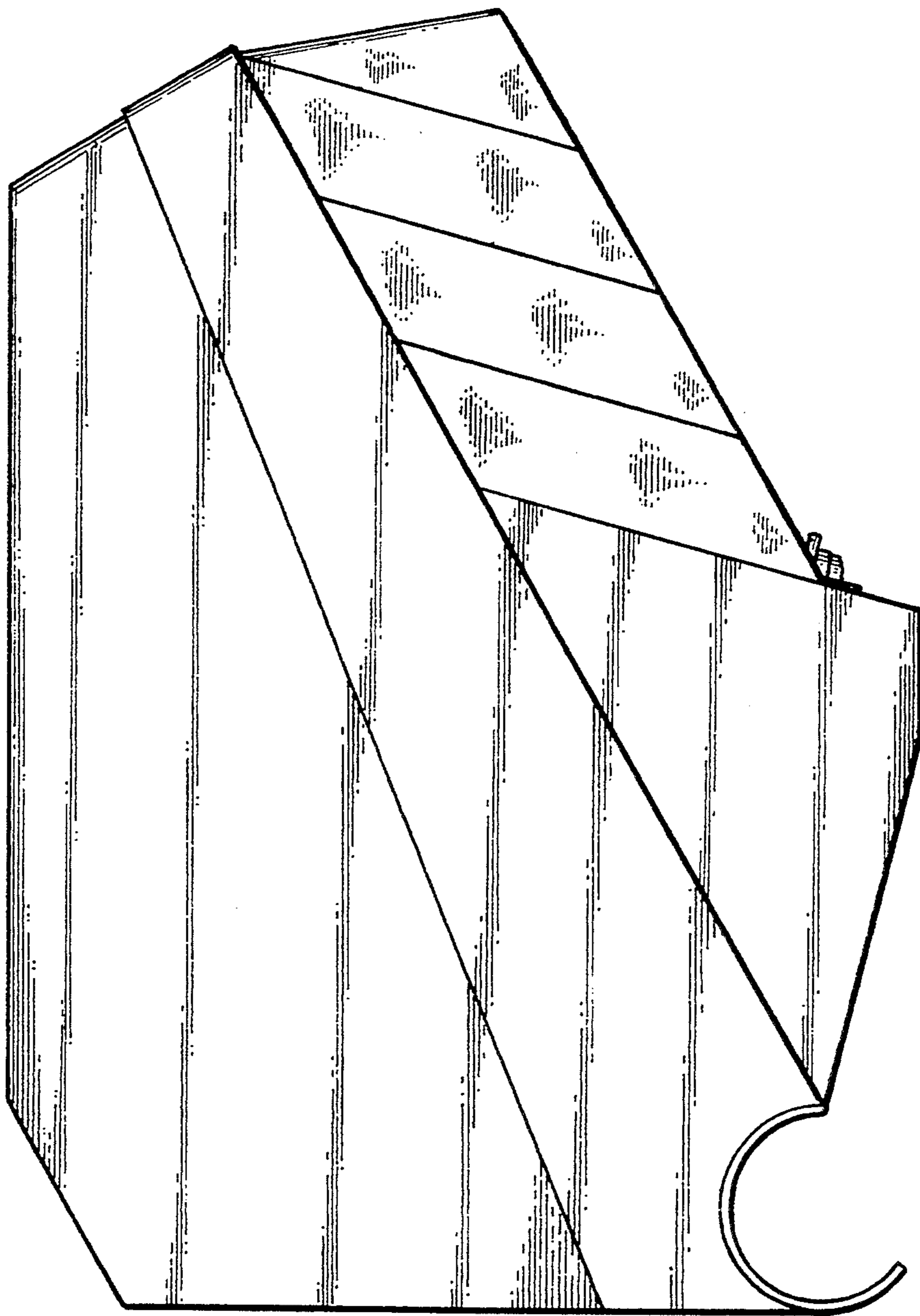


FIG. 4

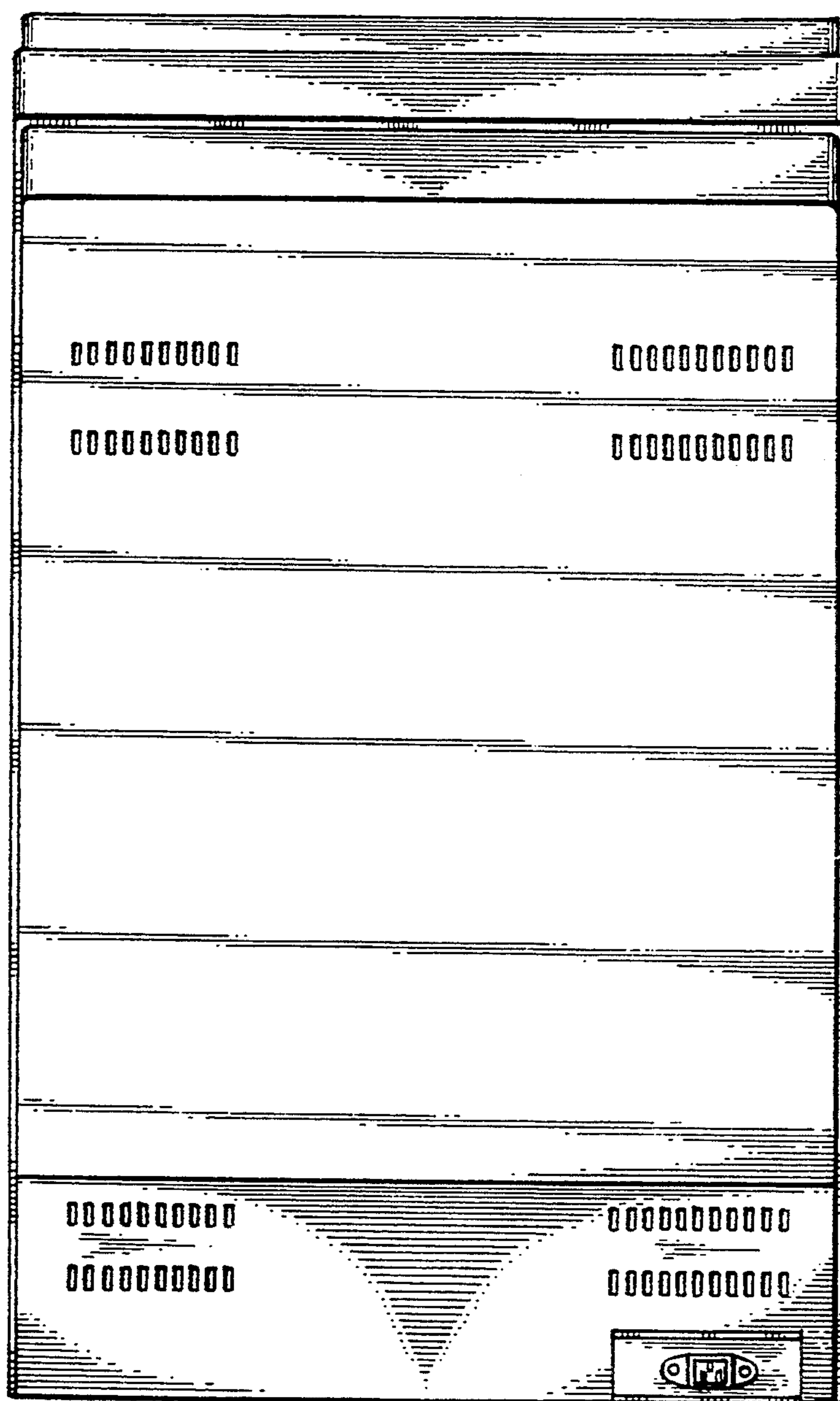


FIG. 5

