



US00D359515S

# United States Patent [19]

[11] Patent Number: **Des. 359,515**

**Kinart**

[45] Date of Patent: **\*\* Jun. 20, 1995**

[54] **ILLUMINATED PENNANT DISPLAY LIGHT CASE**

D. 348,285 6/1994 Cunningham ..... D20/19  
D. 350,367 9/1994 McKelvey ..... D20/10

[75] Inventor: **Douglas J. Kinart**, Wind Lake, Wis.

*Primary Examiner*—James M. Gandy  
*Assistant Examiner*—Marcus Jackson  
*Attorney, Agent, or Firm*—Foley & Lardner

[73] Assignee: **Kinart Enterprises**, Muskego, Wis.

[\*\*] Term: **14 Years**

[57] **CLAIM**

[21] Appl. No.: **27,571**

The ornamental design for an illuminated pennant display light case, as shown and described.

[22] Filed: **Aug. 24, 1994**

**DESCRIPTION**

[52] U.S. Cl. .... **D20/42**

[58] Field of Search ..... D20/10, 39, 40, 41,  
D20/42, 19; 40/1, 540, 541, 542, 543, 584, 591,  
592, 593, 617, 624

FIG. 1 is a perspective view taken from the top front and right of the illuminated pennant display light case showing my new design;

FIG. 2 is a front elevational view thereof;

FIG. 3 is a bottom plan view thereof;

FIG. 4 is a right elevational view thereof;

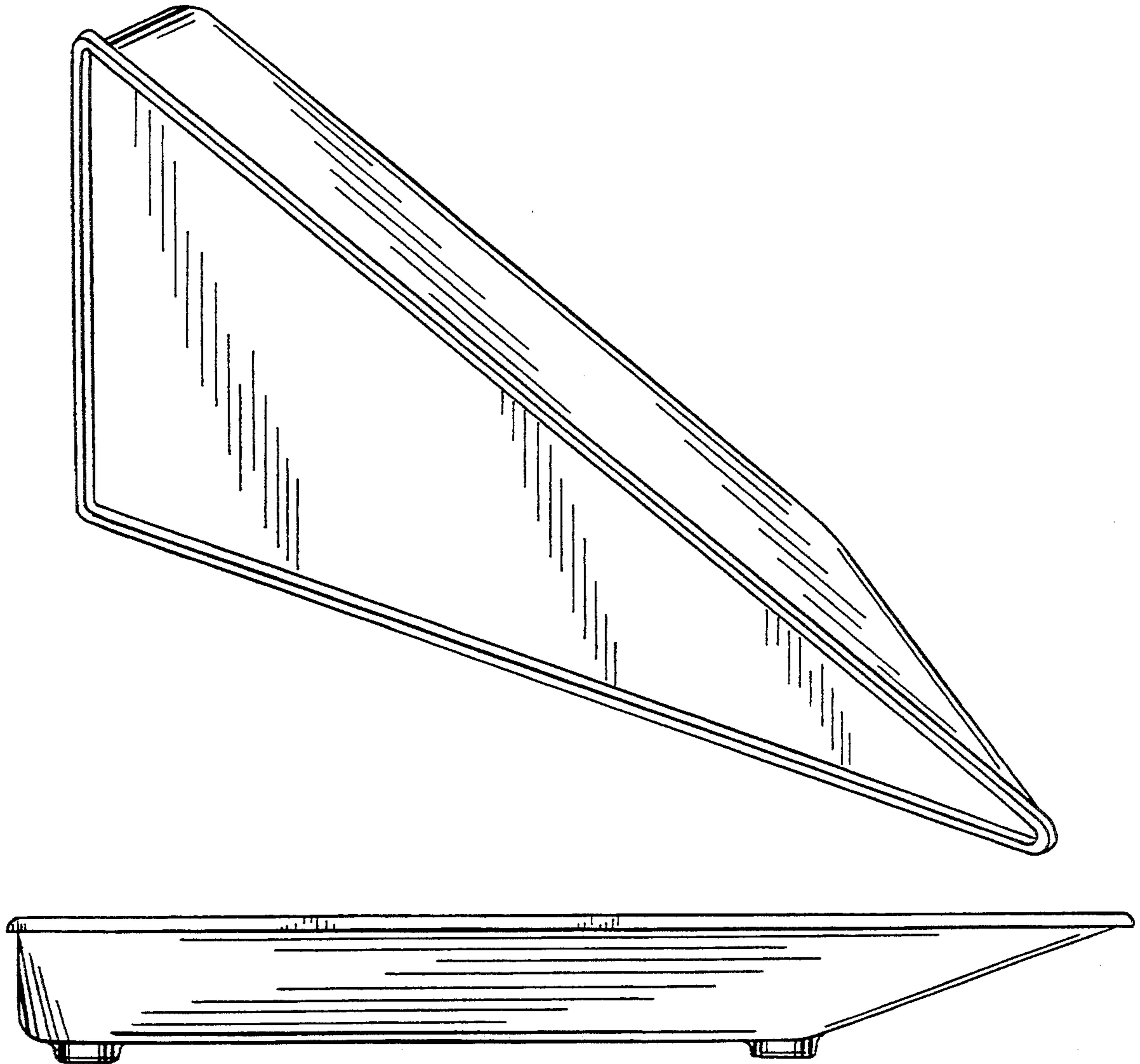
FIG. 5 is a left elevational view thereof; and,

FIG. 6 is a rear elevational view thereof.

[56] **References Cited**

**U.S. PATENT DOCUMENTS**

D. 279,485 7/1985 Brennan ..... D20/42



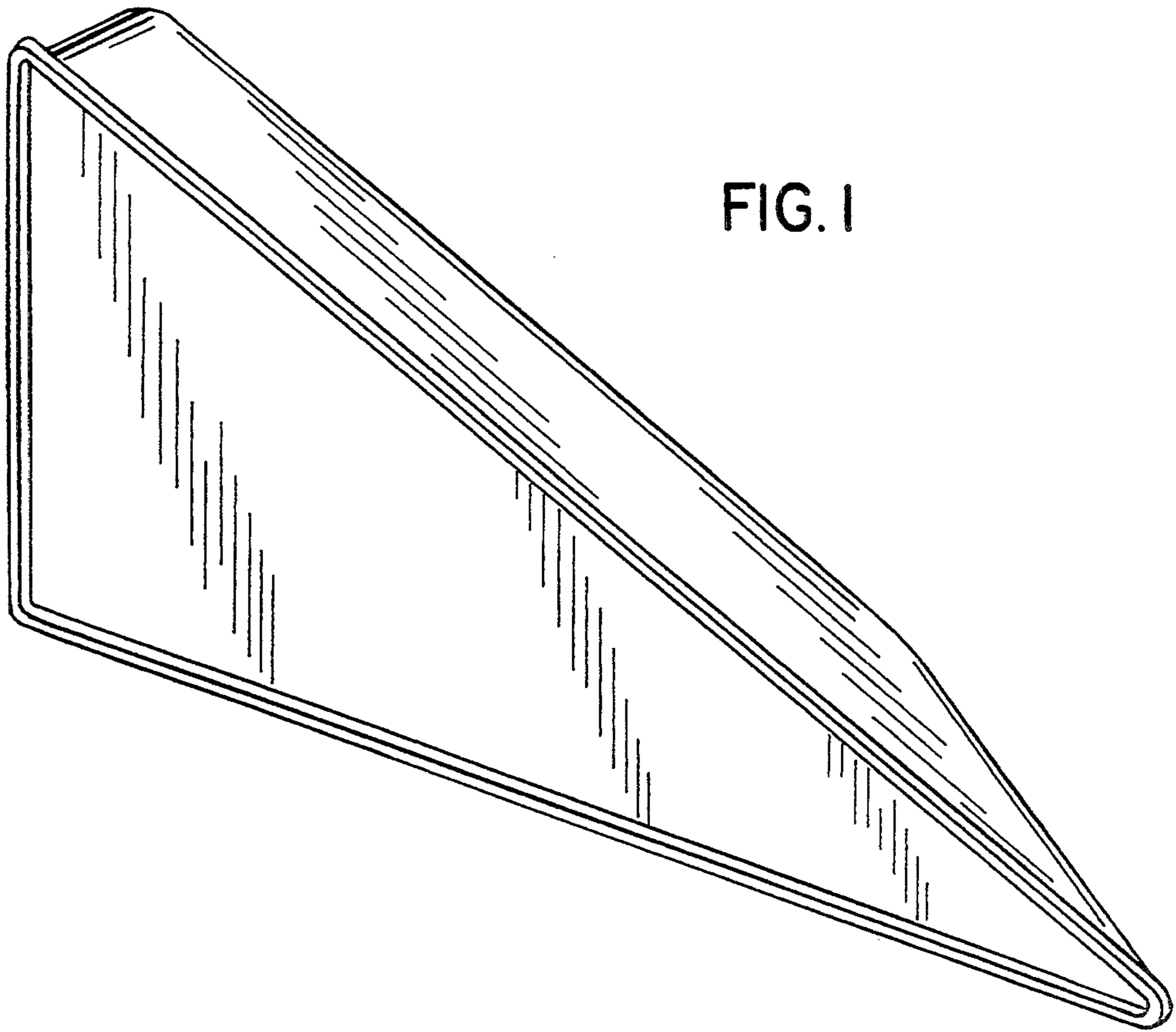


FIG. 1

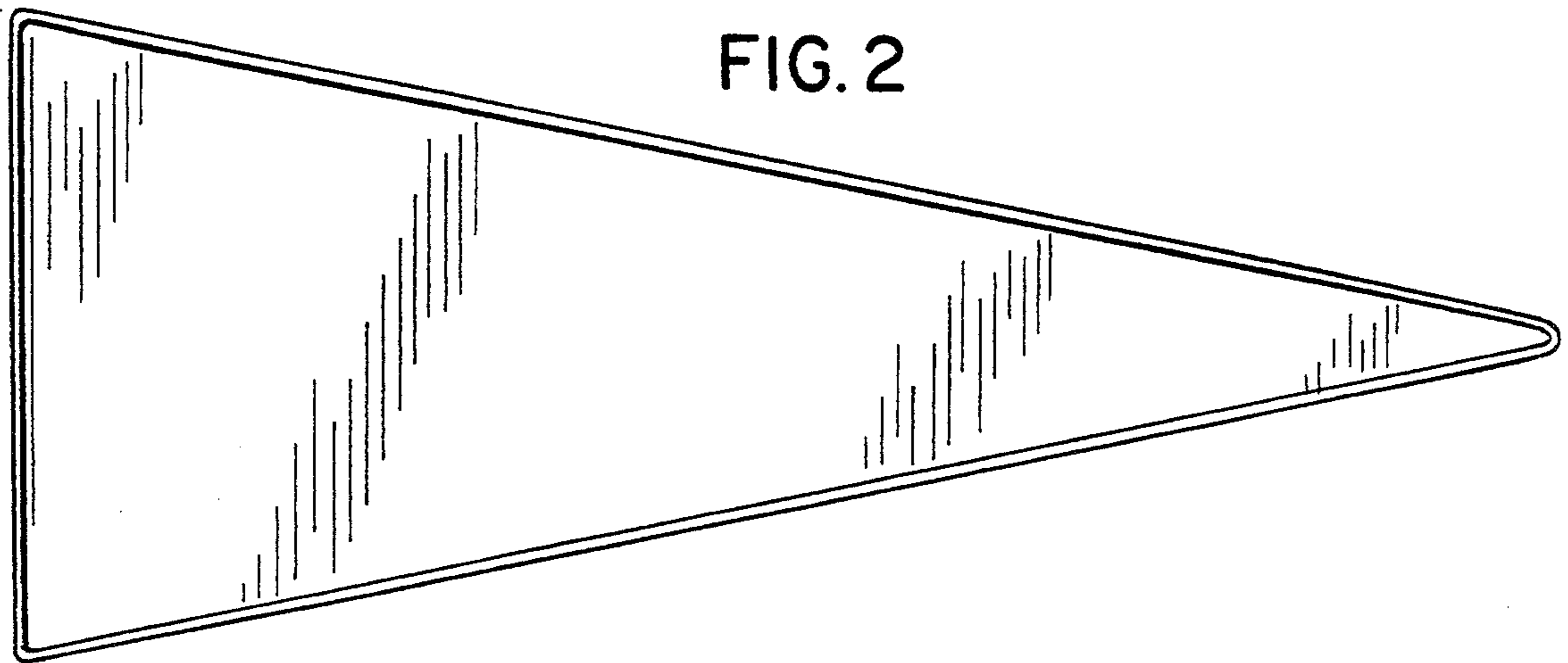


FIG. 2

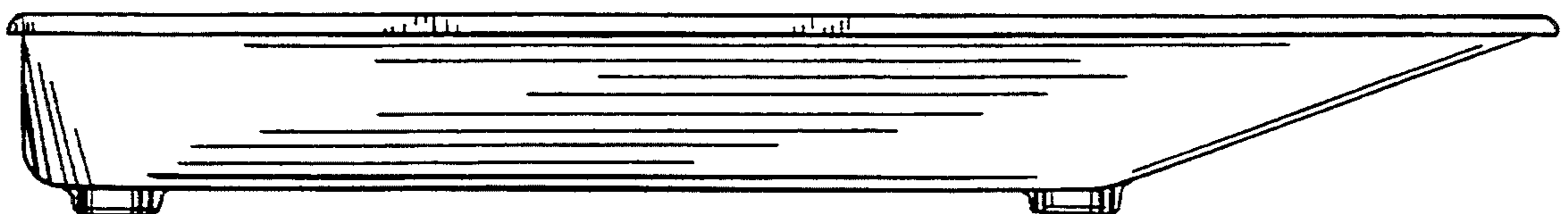


FIG. 3

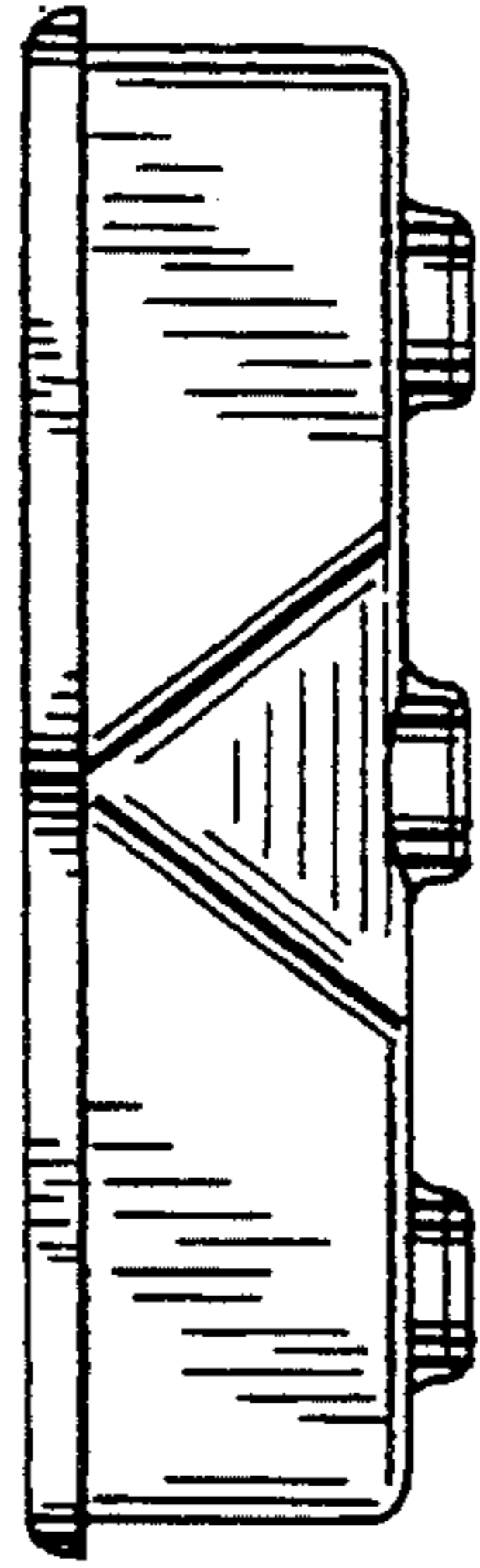


FIG. 4

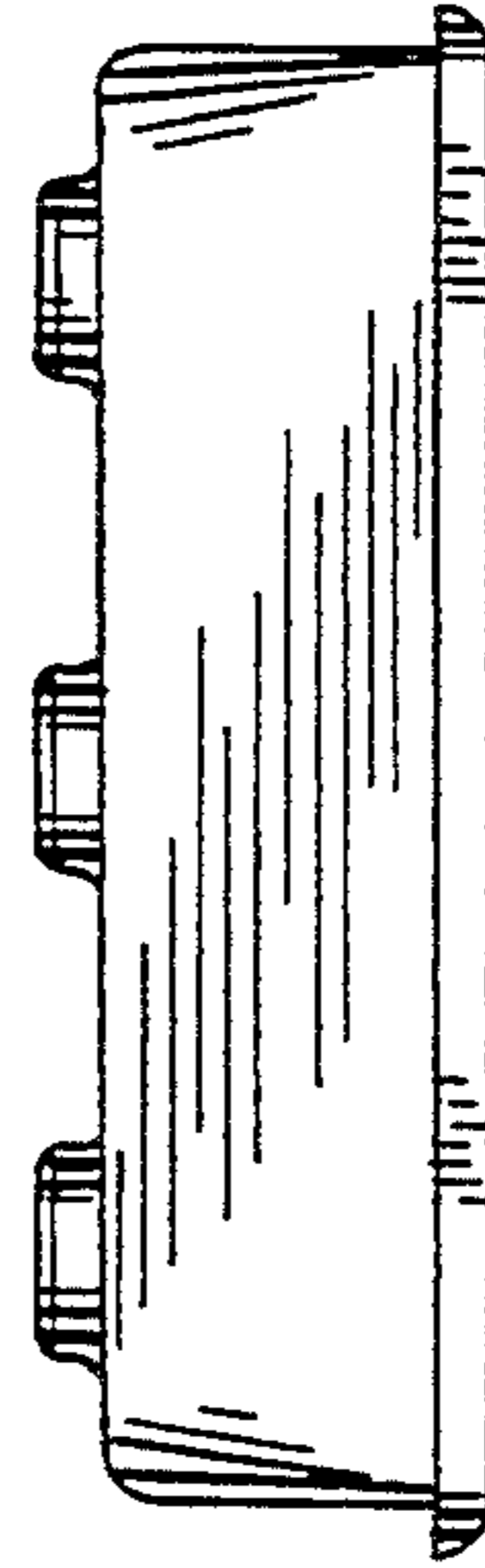


FIG. 5

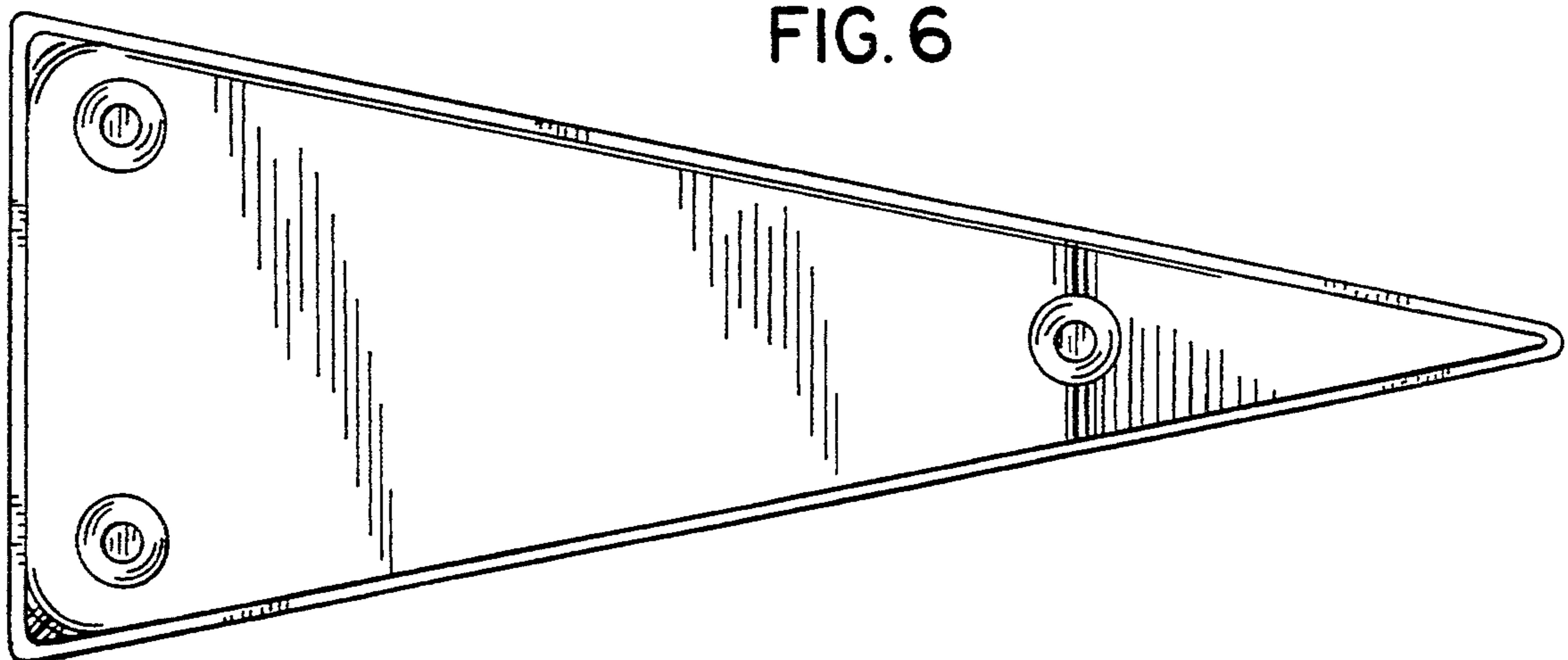


FIG. 6