



US00D359514S

# United States Patent [19]

[11] Patent Number: **Des. 359,514**

Cusano

[45] Date of Patent: **\*\* Jun. 20, 1995**

[54] **SIGN FOR AIDING FIREFIGHTERS TO LOCATE CHILDREN**

1,741,434	12/1929	Pratt et al.	.....	40/597
5,039,045	8/1991	Adams et al.	.	
5,062,380	11/1991	Chestnutt	.	
5,080,941	1/1992	Kosowan	.	
5,235,768	8/1993	Eder	.	

[76] Inventor: **Rocco J. Cusano**, 31 Whelan Ave., Croton-on-Hudson, N.Y. 10520

[\*\*] Term: **14 Years**

*Primary Examiner*—Wallace R. Burke  
*Assistant Examiner*—Marcus Jackson

[21] Appl. No.: **23,276**

[57] **CLAIM**

[22] Filed: **May 20, 1994**

The ornamental design for the sign for aiding firefighters to locate children, as shown and described.

[52] U.S. Cl. .... **D20/42**

[58] Field of Search ..... D20/10, 22, 23, 27, D20/28, 39, 40, 42; 40/584, 591, 592, 593, 594, 597, 600, 611, 617, 642, 649, 650, 651, 658, 661

**DESCRIPTION**

[56] **References Cited**

**U.S. PATENT DOCUMENTS**

D. 258,297	2/1981	Pittman et al.	.....	D20/42
D. 316,429	4/1991	Gutierrez	.....	D20/42
D. 316,684	5/1991	Bonadonna	.	
D. 317,944	2/1991	George	.....	D20/42
D. 341,030	11/1993	Jamieson	.....	D20/42
D. 344,548	2/1994	Castello	.....	D20/42

FIG. 1 is a front elevational view of the sign for aiding firefighters to locate children showing my new design; FIG. 2 is a rear elevational view thereof; FIG. 3 is a left side elevational view thereof; FIG. 4 is a right side elevational view thereof; FIG. 5 is a top plan view thereof; and, FIG. 6 is a bottom plan view thereof.

The broken line lettering in FIGS. 1 and 2 is for illustrative purposes only and forms no part of the claimed design.

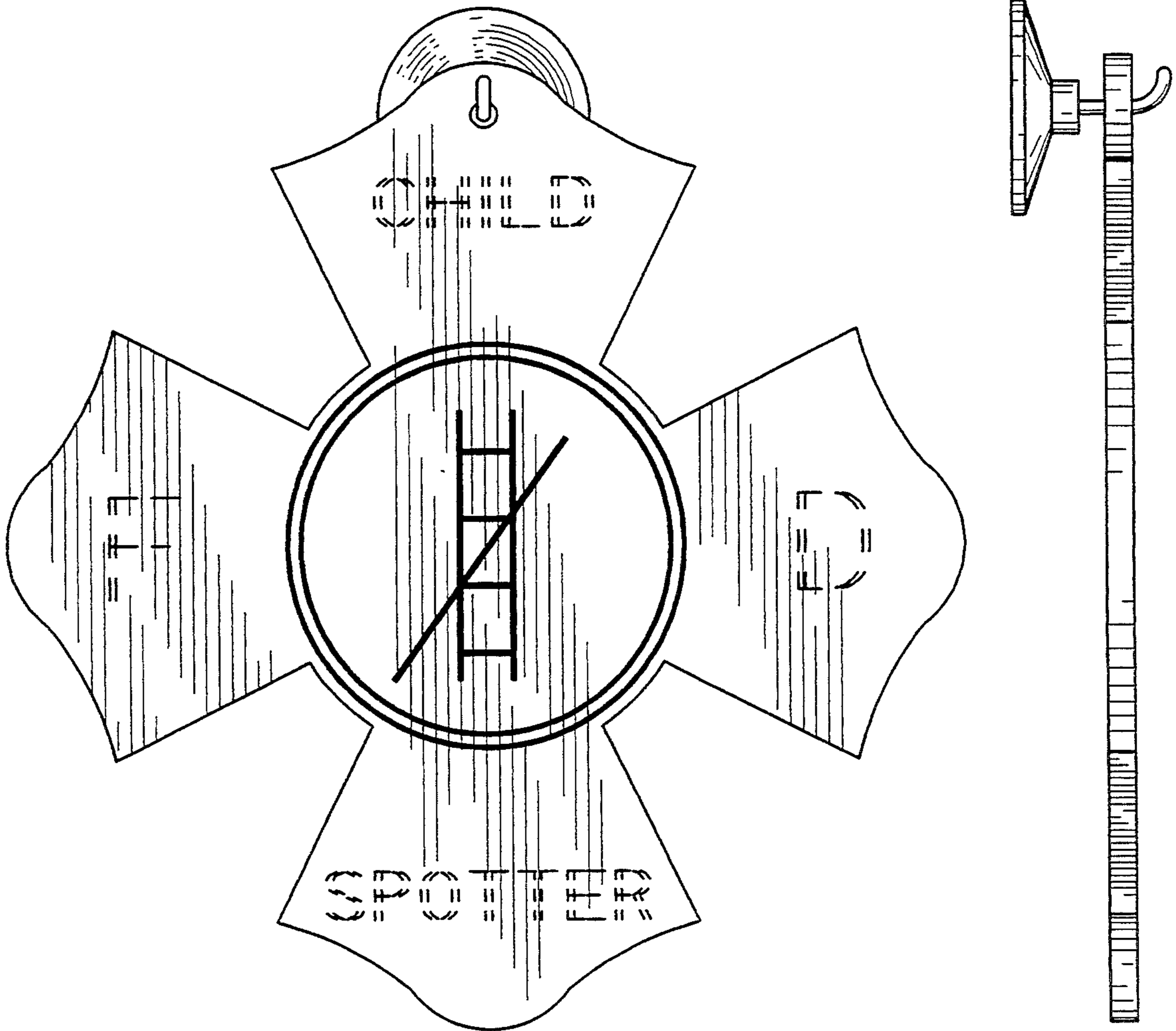


FIG. 1

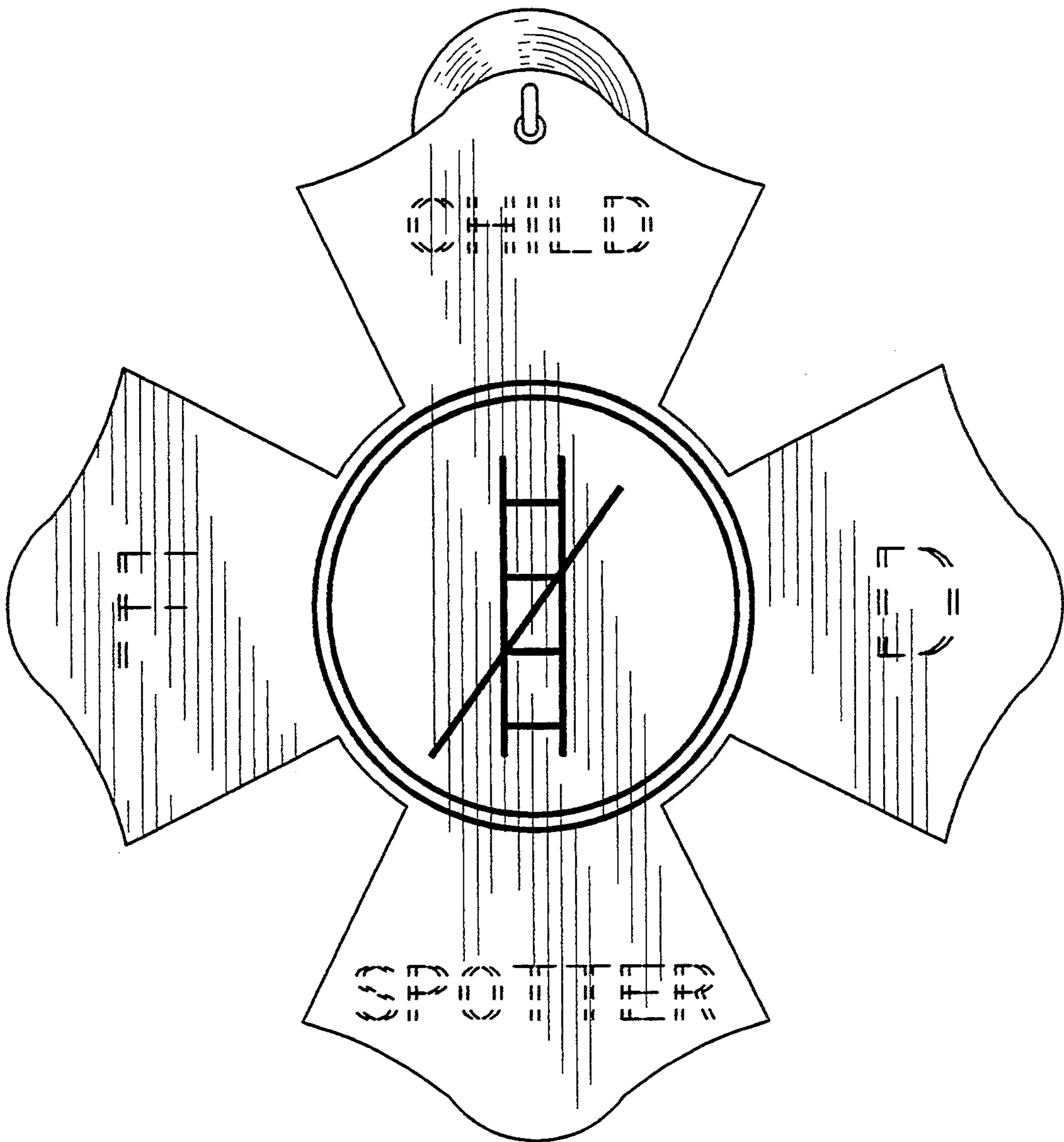


FIG. 2

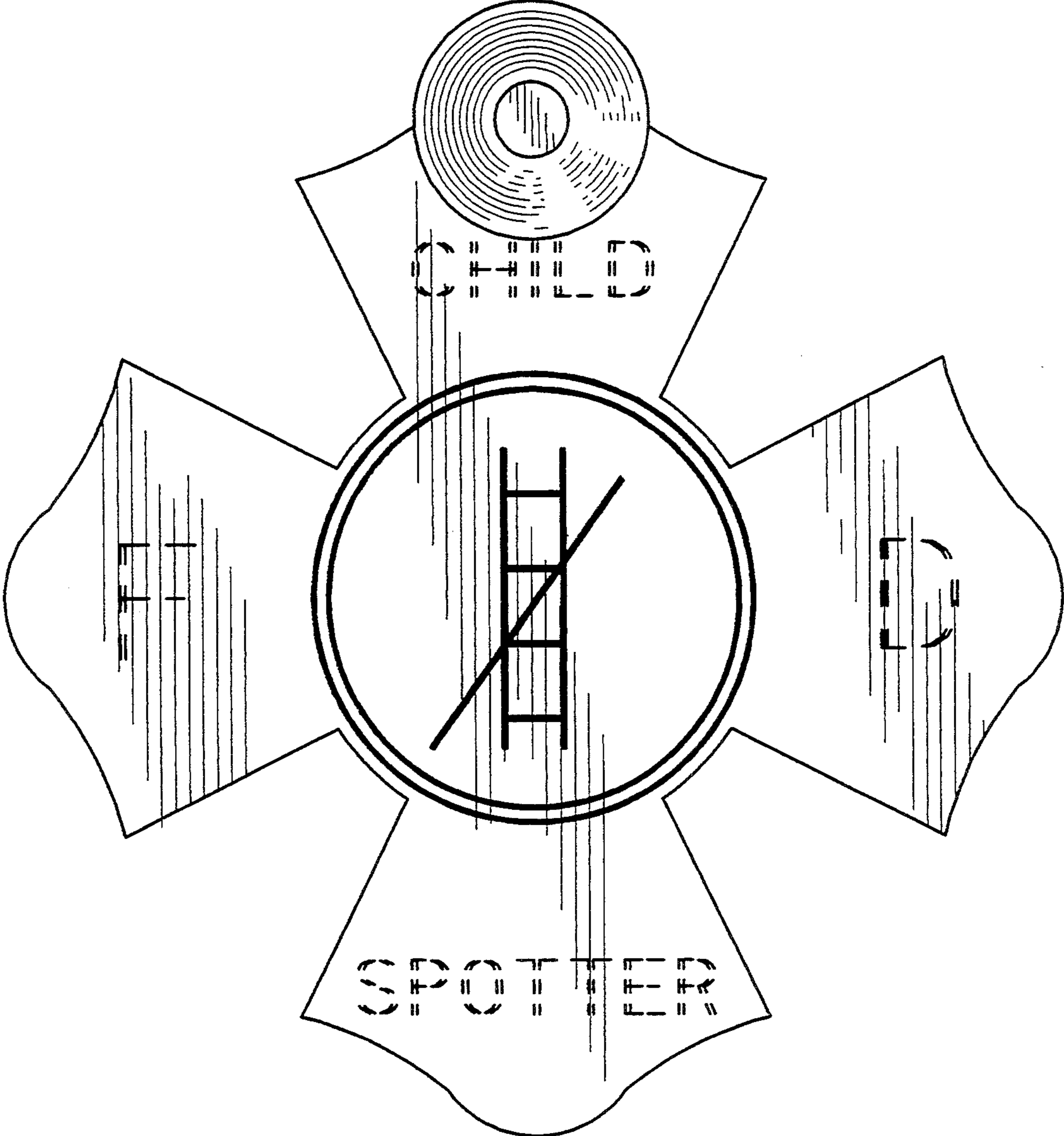


FIG. 3

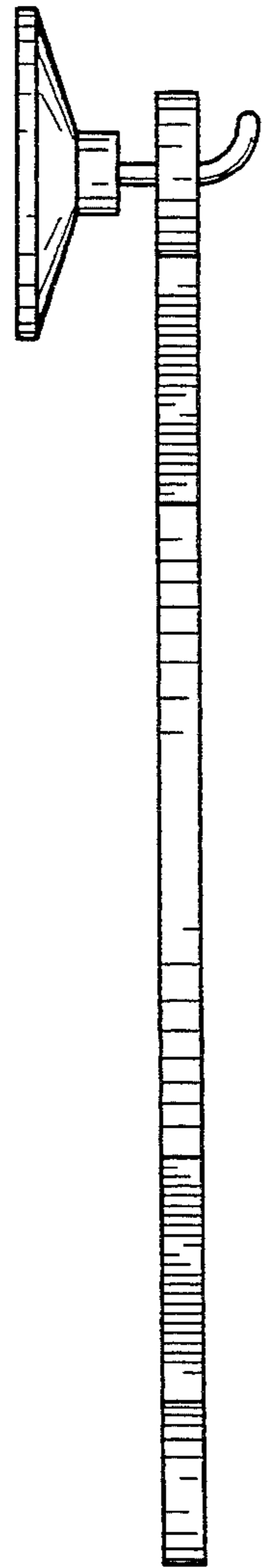


FIG. 4

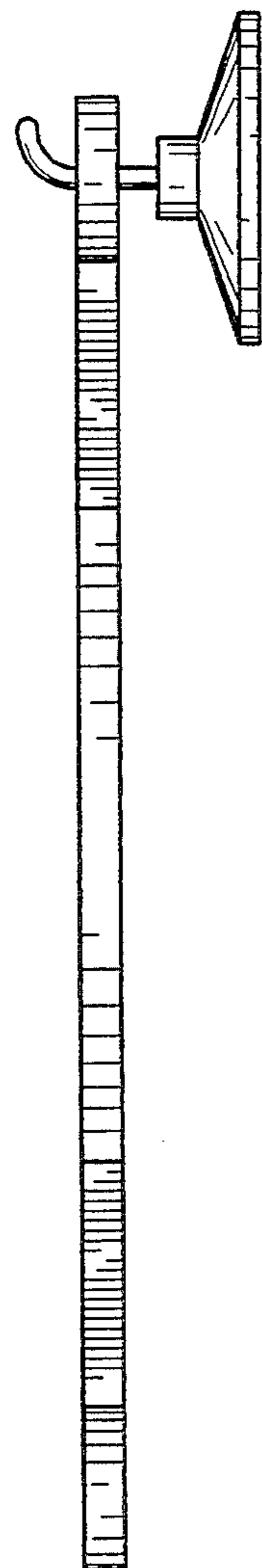


FIG. 5

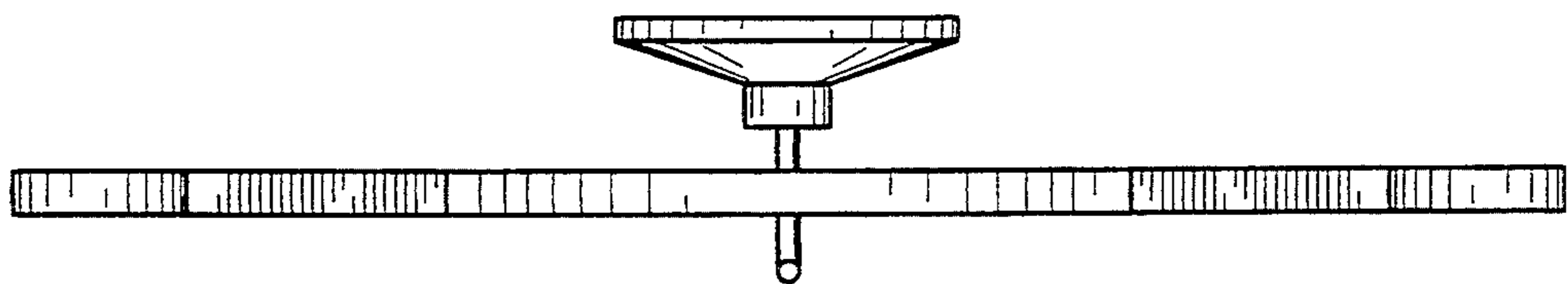


FIG. 6

