



US00D359513S

United States Patent [19]

[11] Patent Number: **Des. 359,513**

Carlson

[45] Date of Patent: **** Jun. 20, 1995**

[54] **SHEET DISPENSER**

[75] Inventor: **Casey L. Carlson, Edina, Minn.**

[73] Assignee: **Minnesota Mining and Manufacturing Company, St. Paul, Minn.**

[**] Term: **14 Years**

[21] Appl. No.: **8,506**

[22] Filed: **May 18, 1993**

[52] U.S. Cl. **D19/86; D6/518; D19/69; D19/95**

[58] Field of Search **D6/515, 518; D7/631; D19/65, 67-69, 75, 76, 78, 86, 91, 92, 95, 99, 100; 206/215, 255; 211/126, 13; 221/35, 36, 45, 46, 33, 47-49, 51, 52, 56-61, 63, 197, 281, 282**

[56] **References Cited**

U.S. PATENT DOCUMENTS

- D. 106,596 10/1937 Hyde D19/76
- D. 117,828 11/1939 Bowers D19/92 X
- D. 120,743 5/1940 Petzold D19/92 X
- D. 120,744 5/1940 Petzold D19/92

- D. 121,460 7/1940 Petzold D19/92 X
- D. 145,878 11/1946 Ajero D19/76
- D. 156,041 11/1949 Sambito D7/631 X
- D. 306,462 3/1990 Miles et al. D19/86
- D. 329,464 9/1992 Hu D19/75
- 4,986,440 1/1991 Windorski 221/45
- 5,086,946 2/1992 Blackwell et al. 221/46
- 5,165,570 11/1992 Windorski et al. 221/46

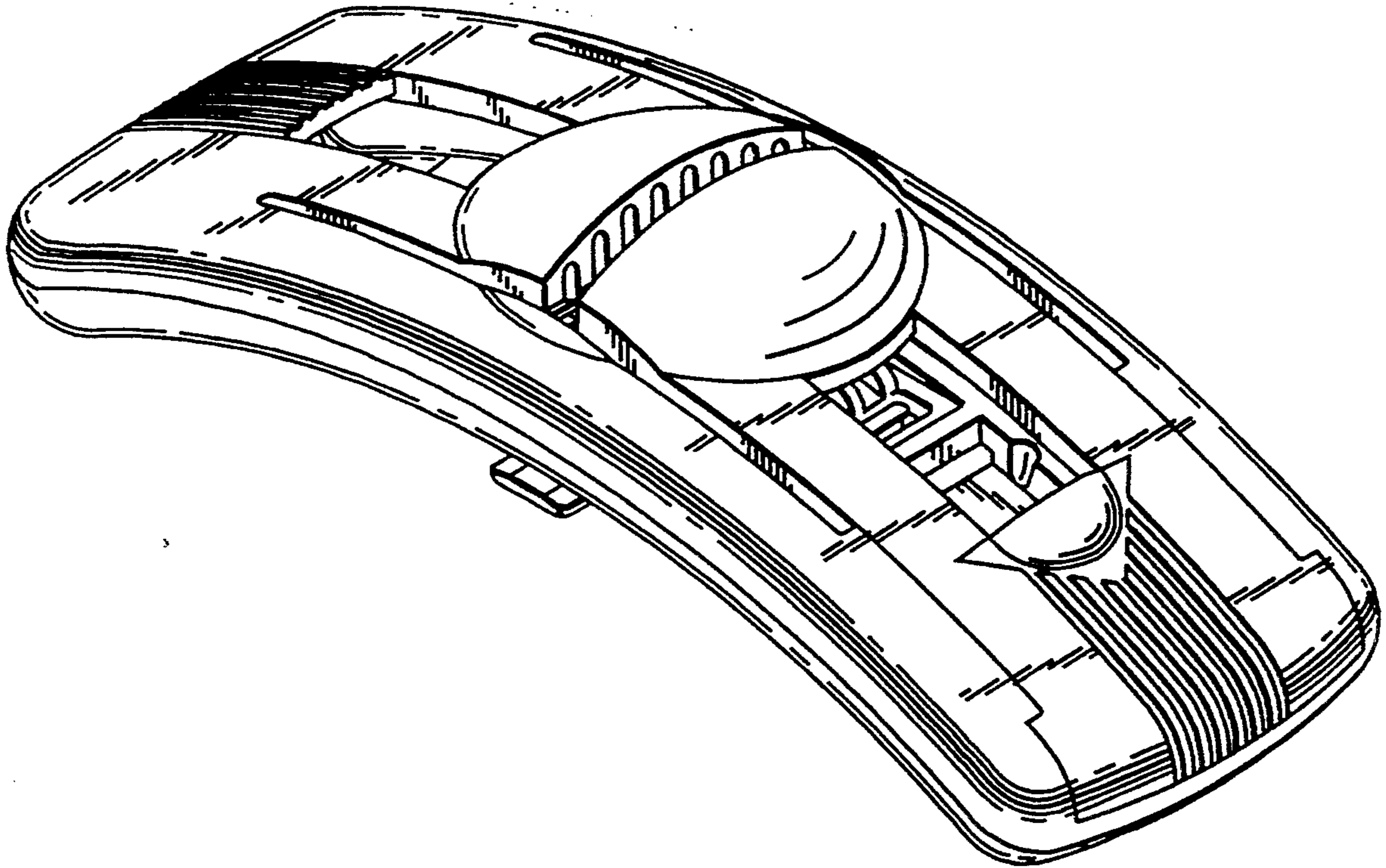
Primary Examiner—Martie Thompson
Attorney, Agent, or Firm—Gary L. Griswold; Walter N. Kirn; William L. Huebsch

[57] **CLAIM**

The ornamental design for a sheet dispenser, as shown and described.

DESCRIPTION

FIG. 1 is a top, left front isometric view of a sheet dispenser showing my new design; FIG. 2 is a top plan view thereof; FIG. 3 is a left side elevational view thereof, the right side elevational view being the mirror image thereof; FIG. 4 is a bottom plan view thereof; FIG. 5 is a front elevational view thereof; and, FIG. 6 is a rear elevational view thereof.



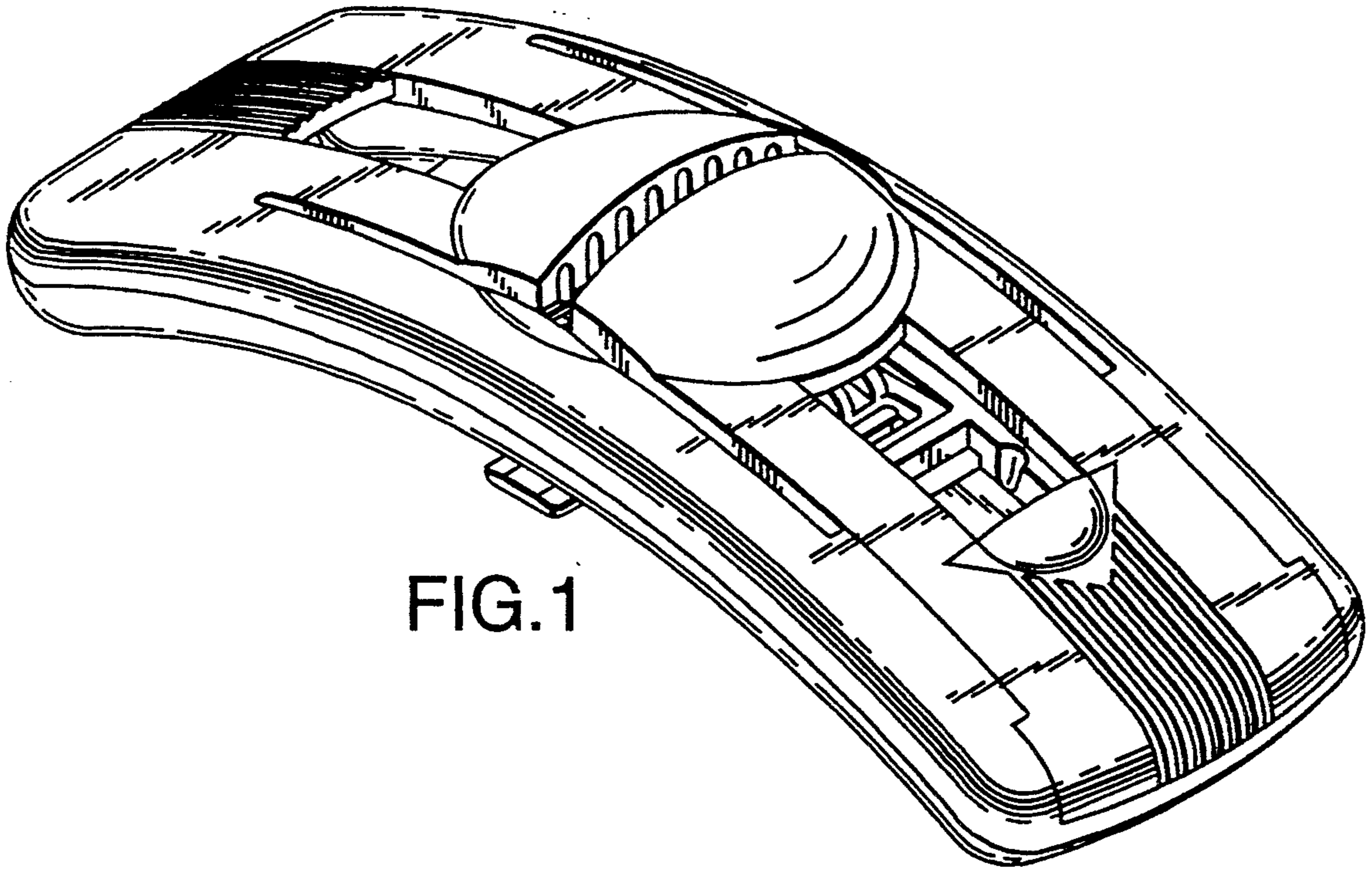


FIG. 1

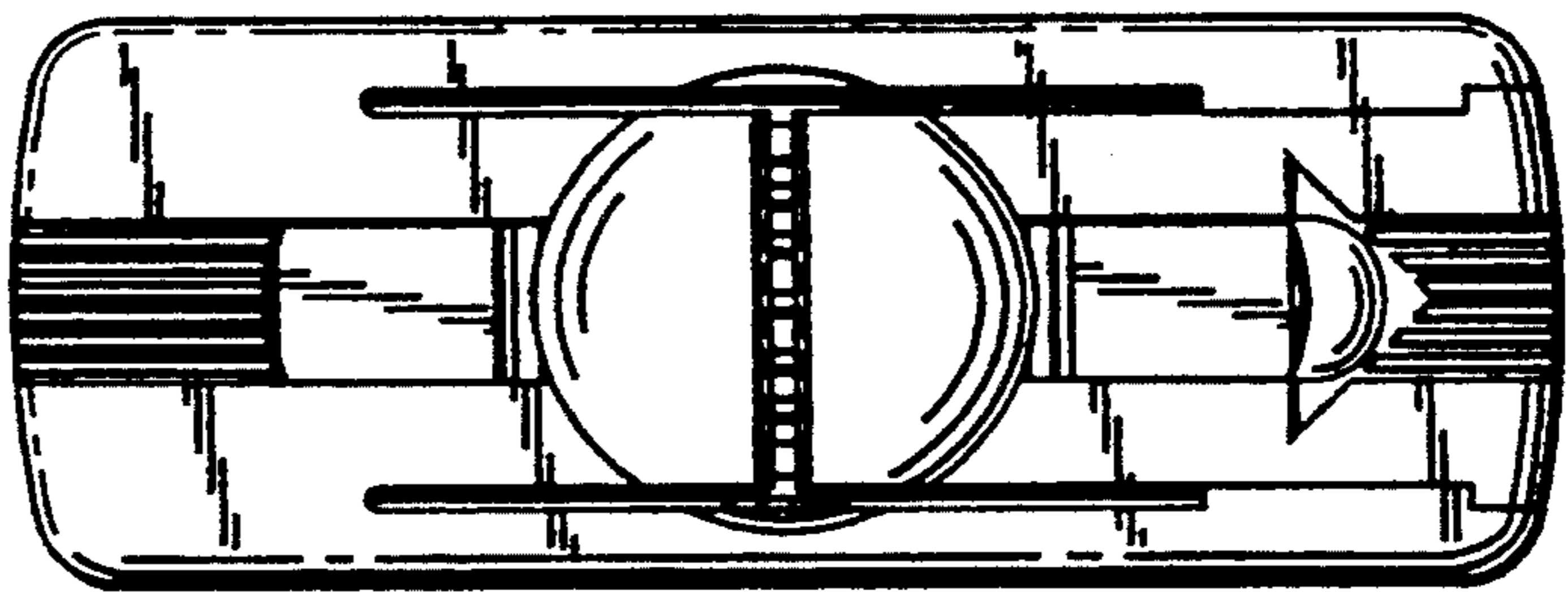


FIG. 2

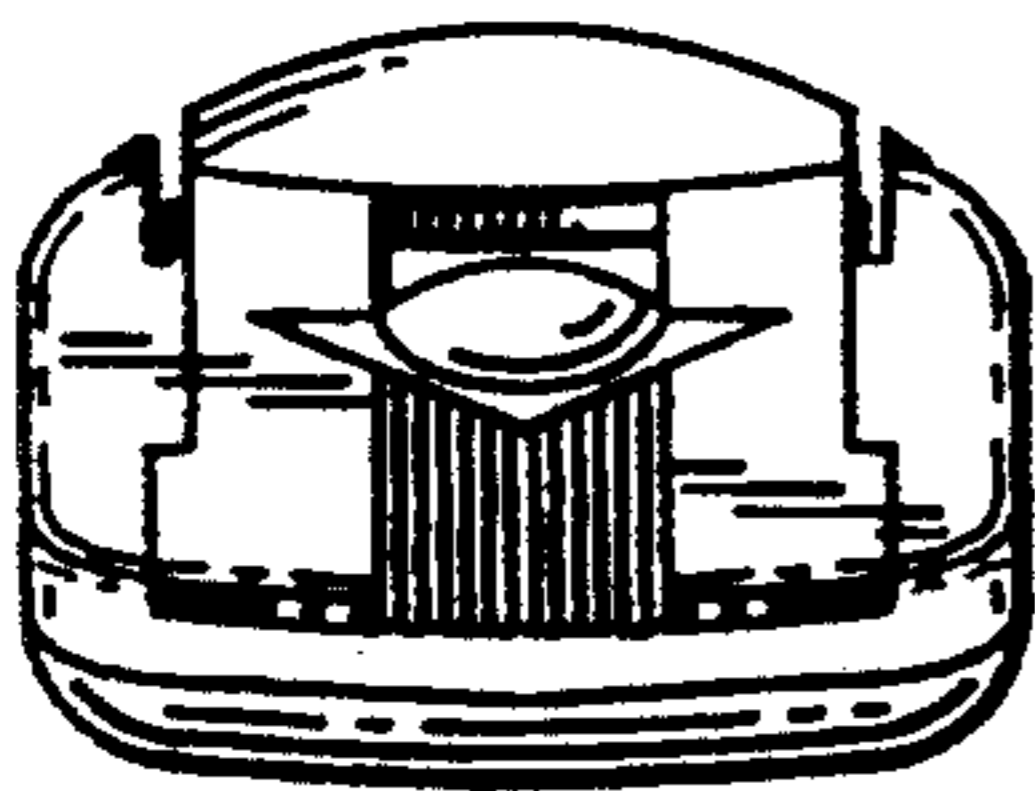


FIG. 5



FIG. 3

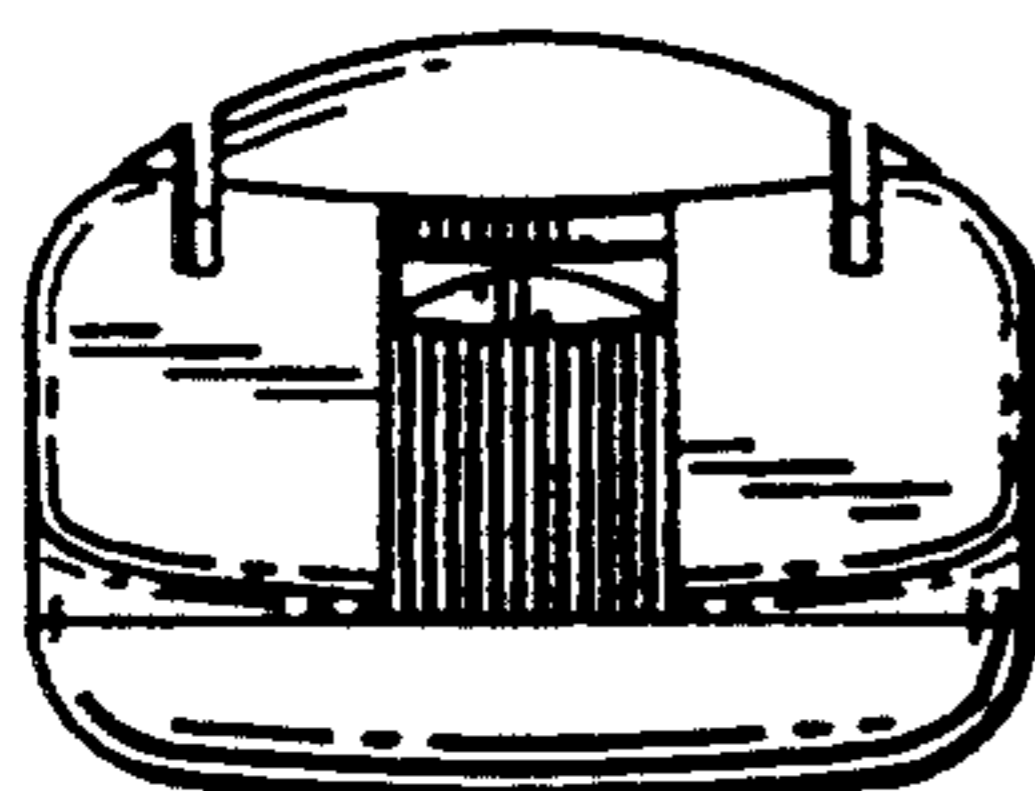


FIG. 6

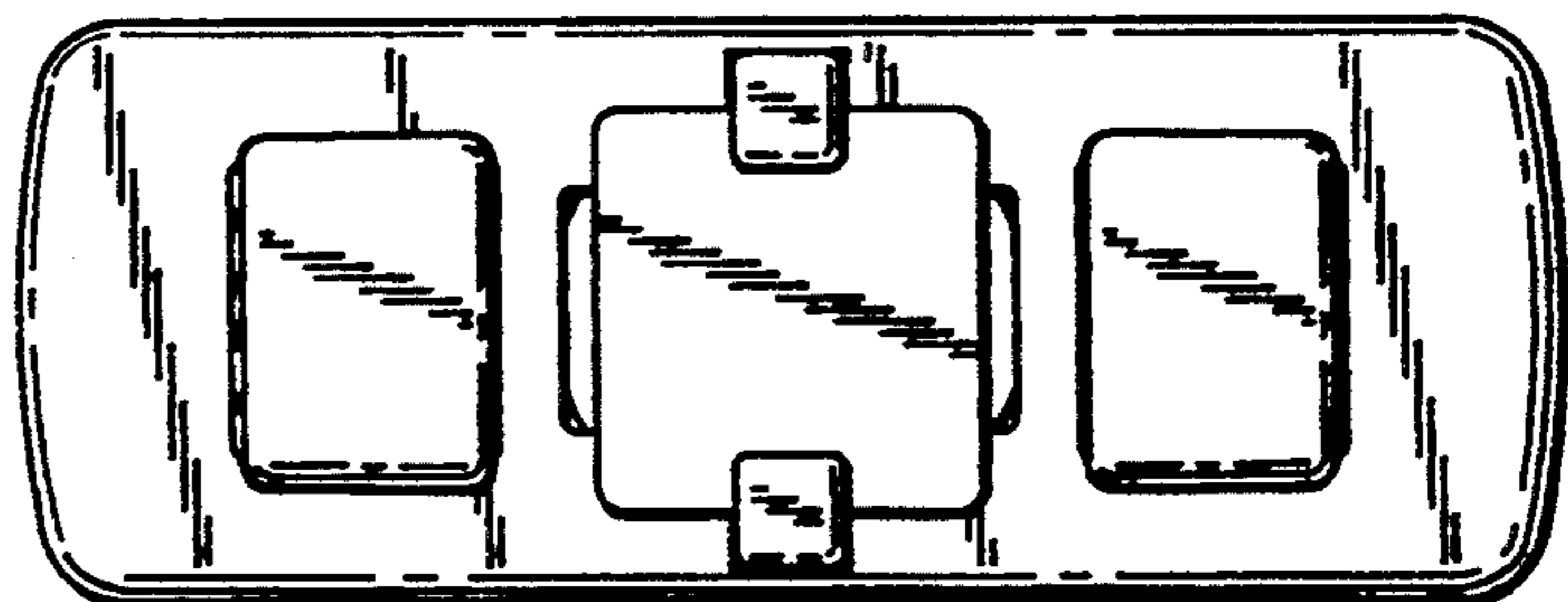


FIG. 4