



US00D359511S

United States Patent [19]

[11] Patent Number: **Des. 359,511**

Nash et al.

[45] Date of Patent: **** Jun. 20, 1995**

[54] **TAPE DISPENSER**

[75] Inventors: **James E. Nash, St. Paul; Kenneth J. Kirchoff, Gem Lake, both of Minn.**

[73] Assignee: **Minnesota Mining and Manufacturing Company, St. Paul, Minn.**

[**] Term: **14 Years**

[21] Appl. No.: **22,074**

[22] Filed: **Apr. 29, 1994**

[52] U.S. Cl. **D19/69; D19/67**

[58] Field of Search **D19/65, 67, 68, 69, D19/99, 100; 225/6, 12, 19, 34, 45, 56, 65, 77, 89; 156/523, 527**

[56] **References Cited**

U.S. PATENT DOCUMENTS

D. 121,400	7/1940	Saunders	D19/69
D. 135,165	3/1943	Schieman	D19/69
D. 188,709	8/1960	Helms	D74/1
D. 190,781	6/1961	Reinecke	D74/1
D. 248,561	7/1978	Deering, Jr.	D19/69

D. 254,556	3/1980	Johnson	D19/69
D. 289,180	4/1987	Crawford et al.	D19/67
D. 318,690	7/1991	Huang	D19/69
D. 331,071	11/1992	Dotterman et al.	D10/15
D. 331,072	11/1992	Dotterman et al.	D19/69
D. 342,548	12/1993	Kirchhoff et al.	D19/65
2,305,592	12/1942	Anderson	225/12
4,175,685	11/1979	Niles	225/19

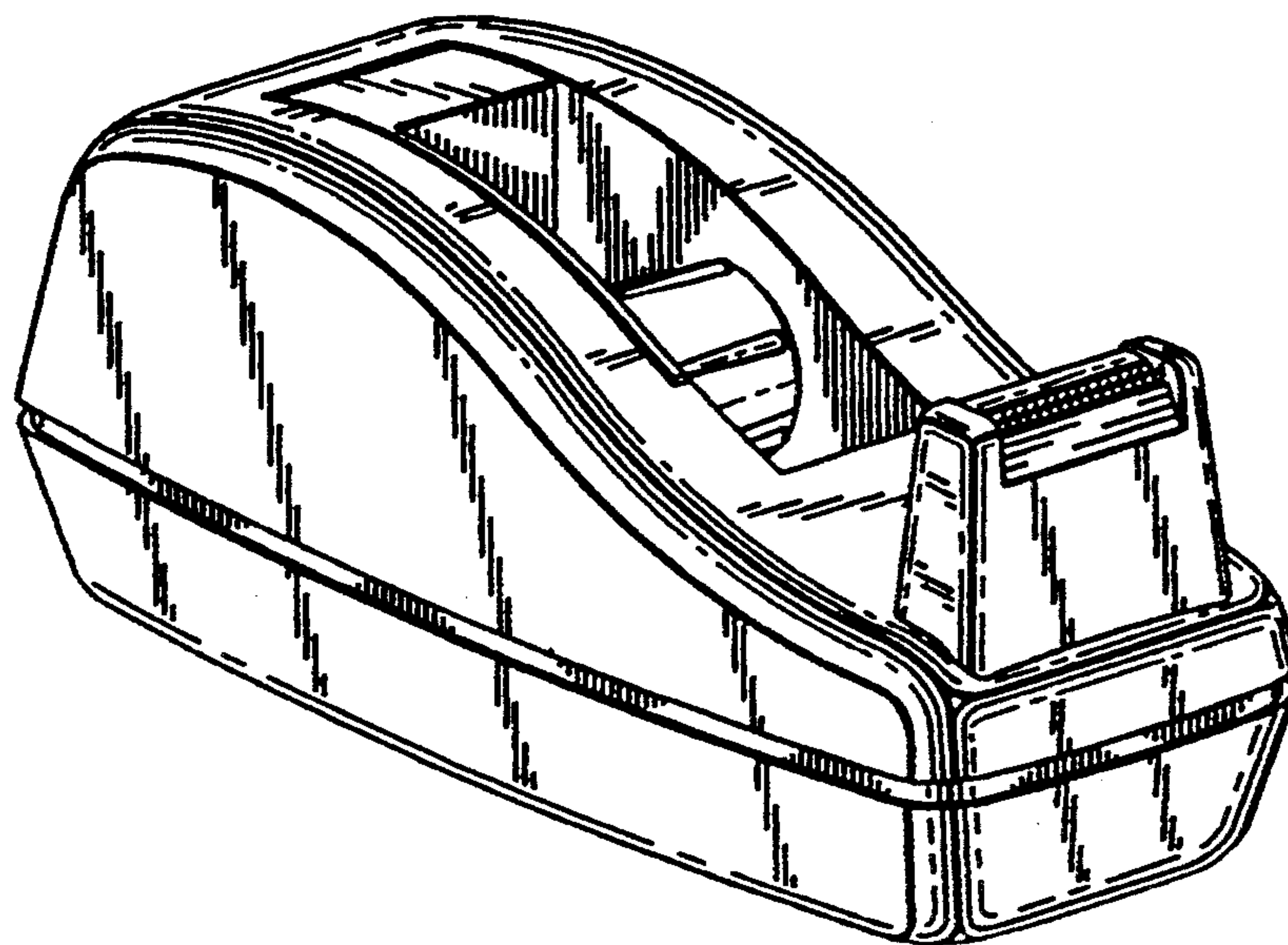
Primary Examiner—martie Thompson
Attorney, Agent, or Firm—Gary L. Griswold; Walter N. Kirn; William L. Huebsch

[57] **CLAIM**

The ornamental design for a tape dispenser, as shown and described.

DESCRIPTION

FIG. 1 is a top, left front isometric view of a tape dispenser showing our new design; FIG. 2 is a rear elevational view thereof; FIG. 3 is a front elevational view thereof; FIG. 4 is a left side elevational view thereof, the right side elevational view being the mirror image thereof; FIG. 5 is a top plan view thereof; and, FIG. 6 is a bottom plan view thereof.



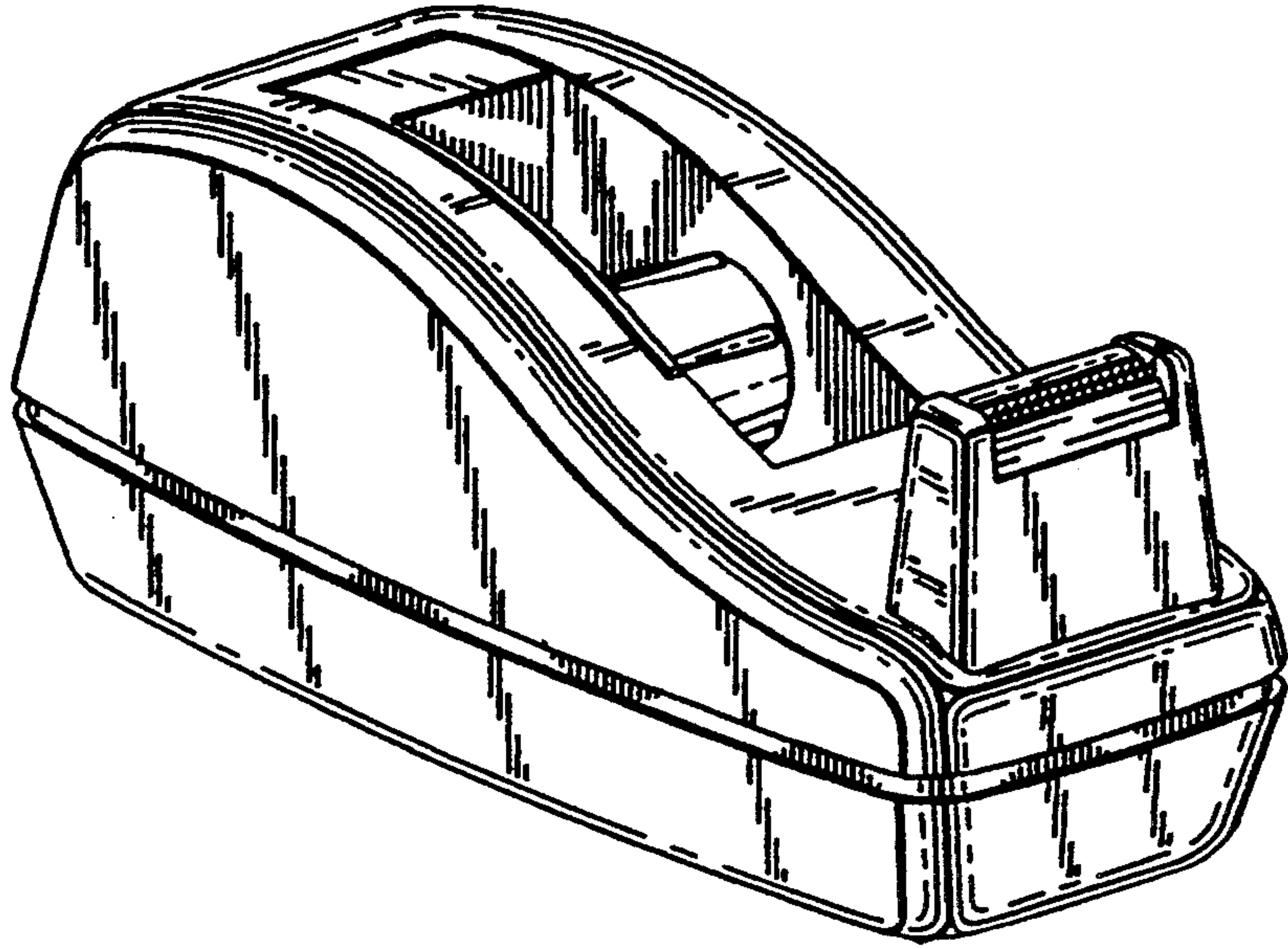


Fig. 1

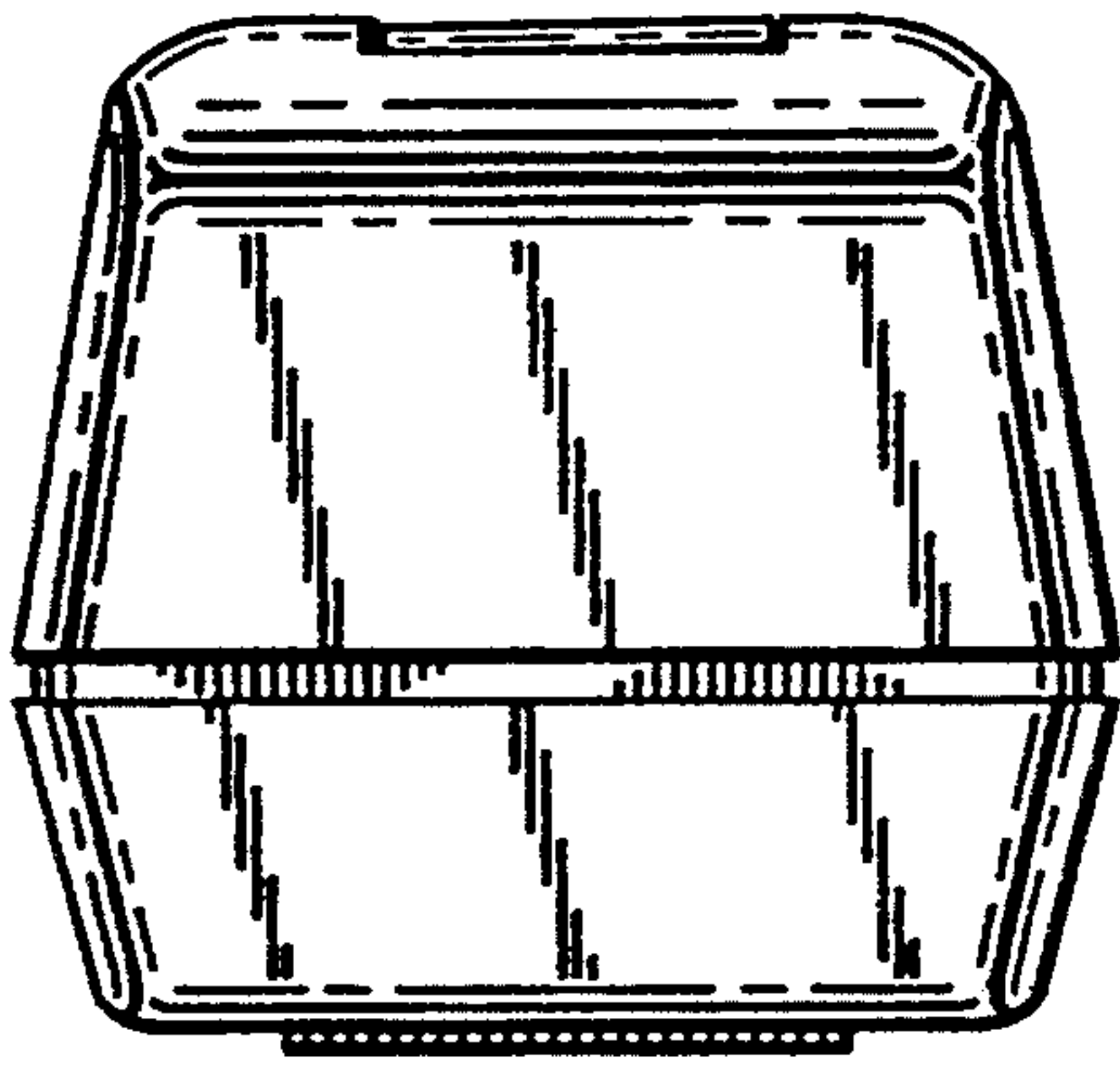


Fig. 2

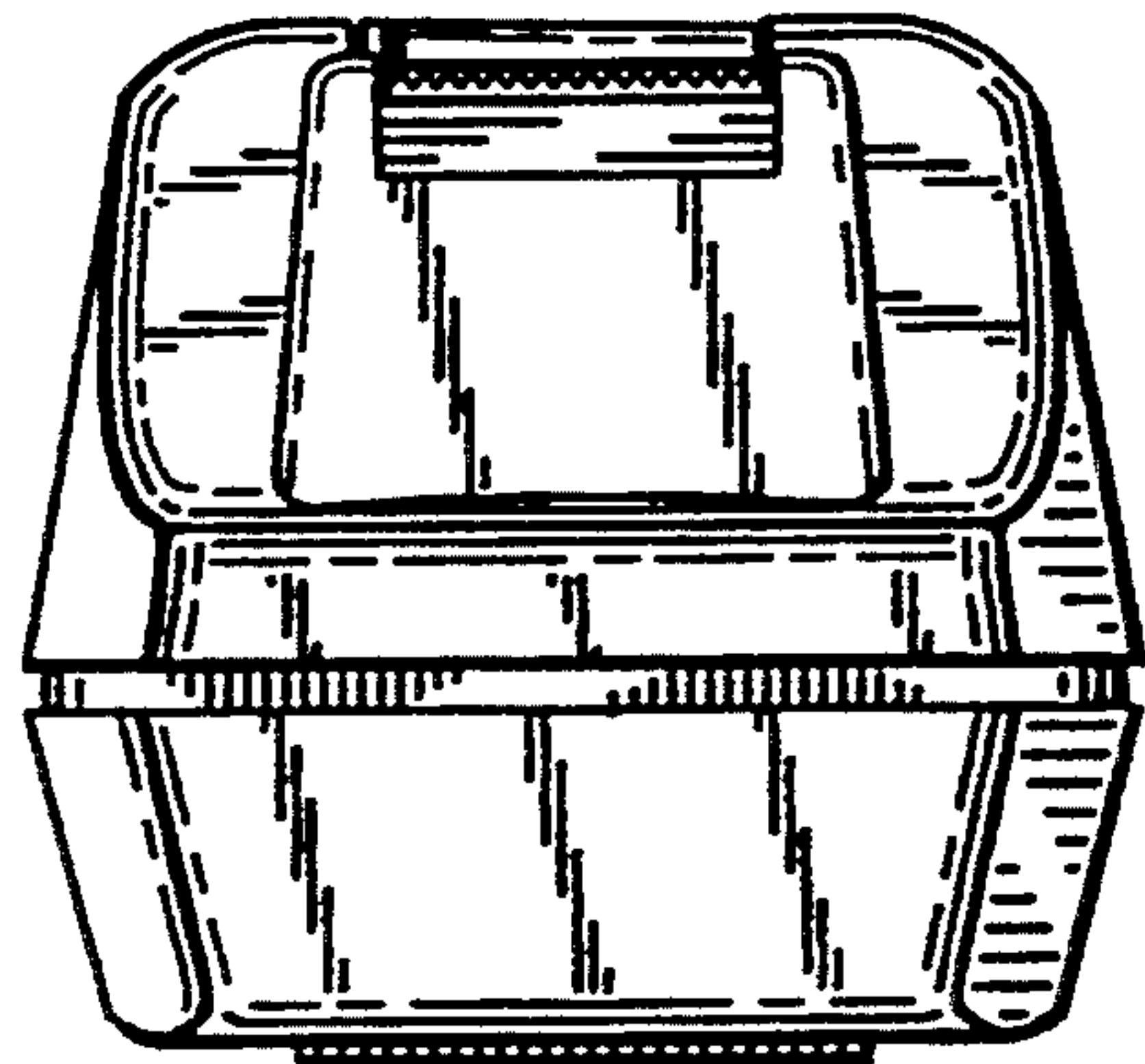


Fig. 3

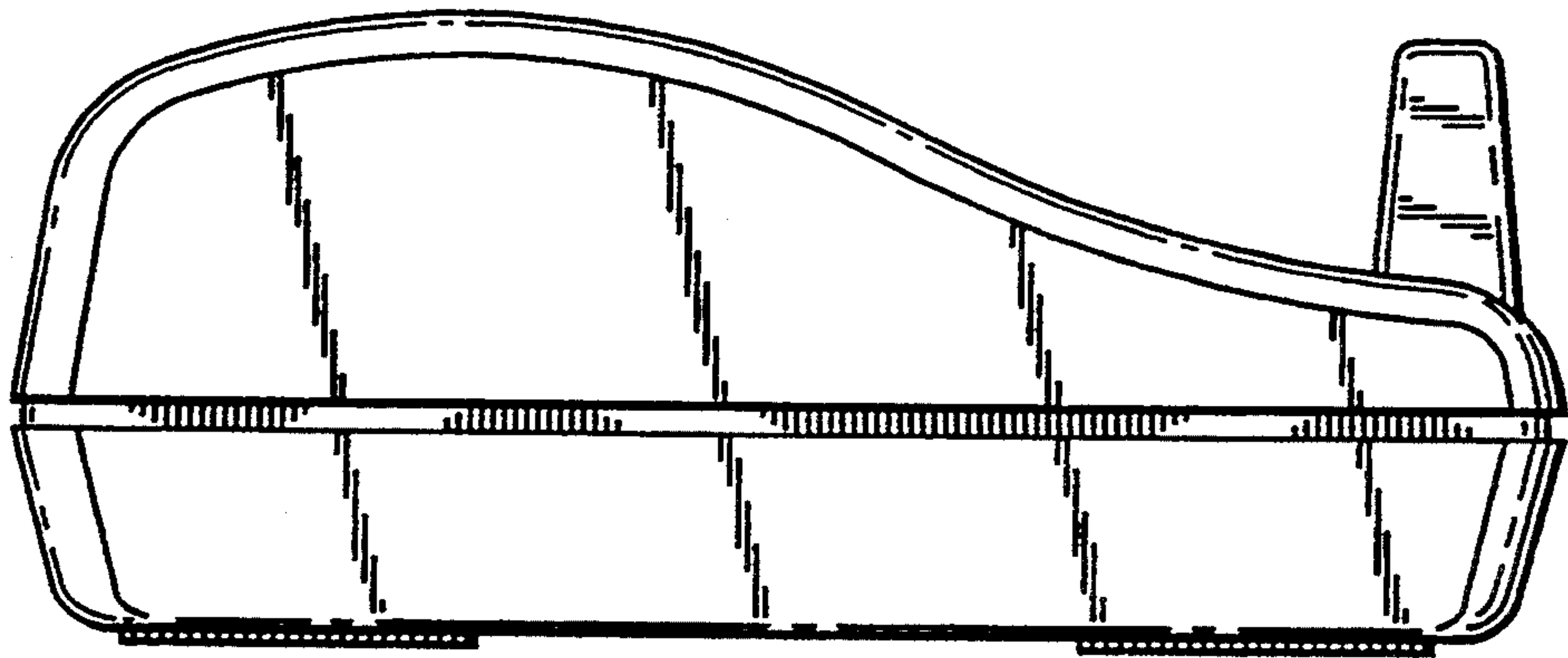


Fig. 4

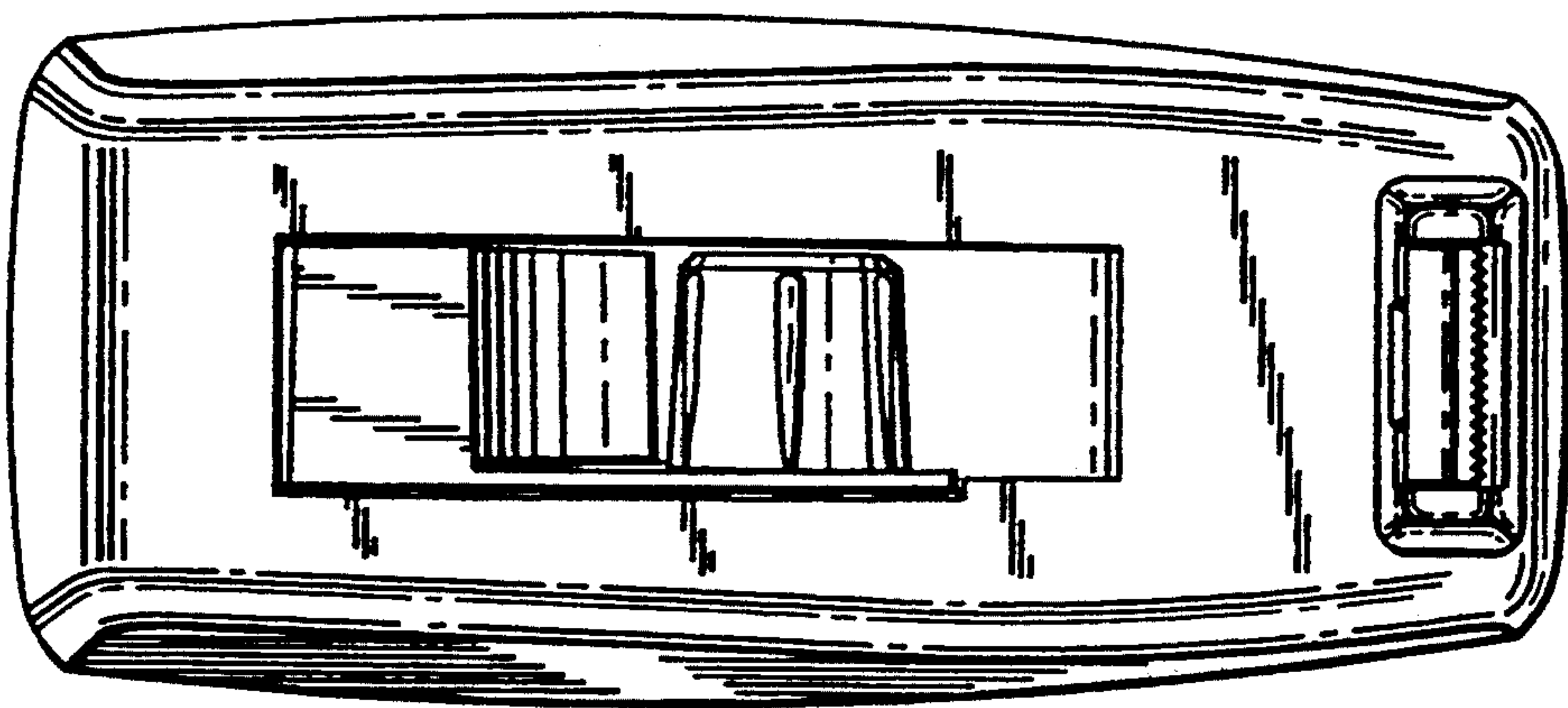


Fig. 5

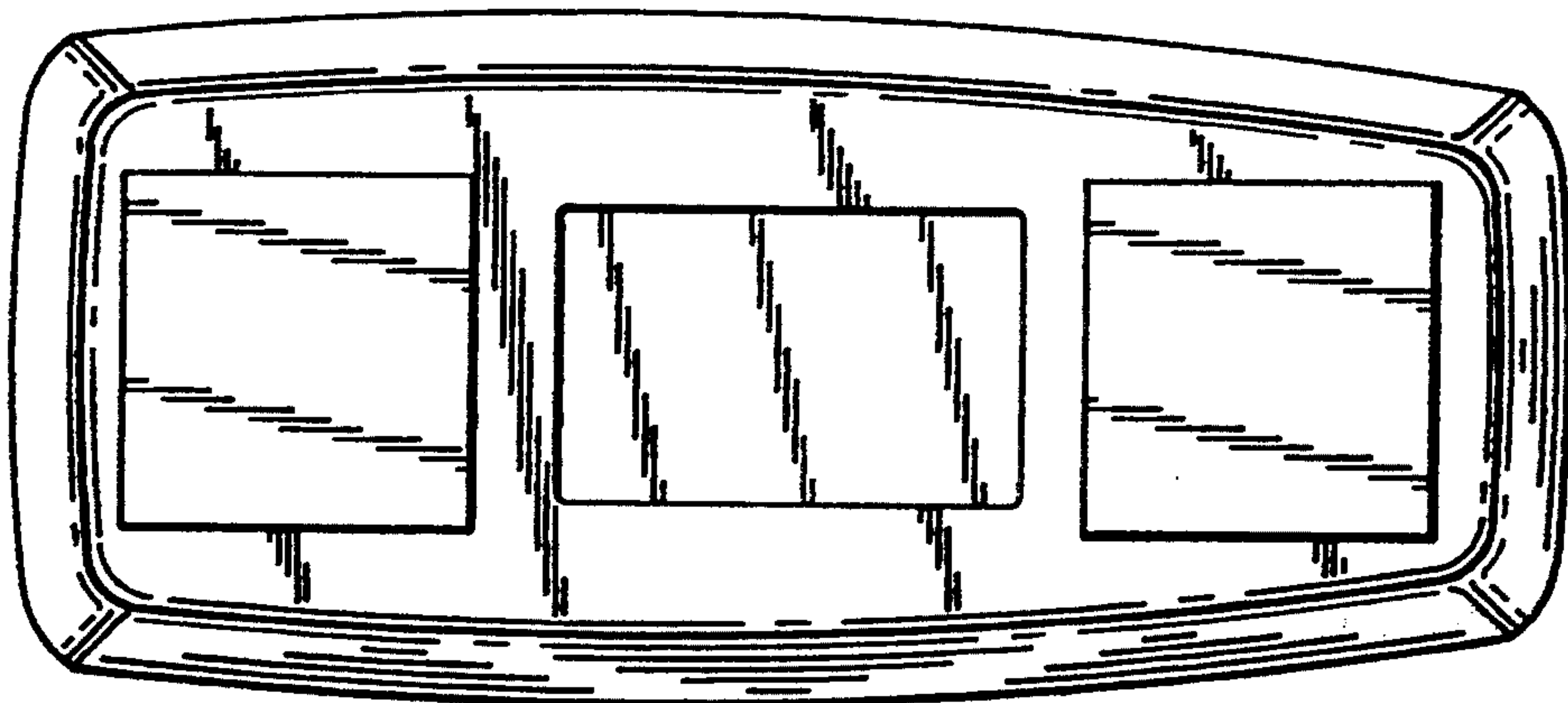


Fig. 6