



US00D359509S

United States Patent [19]

[11] Patent Number: **Des. 359,509**

Fei

[45] Date of Patent: **** Jun. 20, 1995**

[54] PAINTING BOARD FOR CHILDREN

[76] Inventor: **Hwang L. Fei**, P.O. Box 82-144,
Taipei, Taiwan, Prov. of China

[**] Term: **14 Years**

[21] Appl. No.: **23,731**

[22] Filed: **May 31, 1994**

[52] U.S. Cl. **D19/52; D19/35;**
D21/59

[58] Field of Search D21/129, 59; D19/35,
D19/36, 42, 52, 59, 75, 77, 78, 81-88, 90;
434/81, 85, 86, 88, 90, 428, 430, 432

[56] **References Cited**

U.S. PATENT DOCUMENTS

D. 146,136	12/1946	Hansen	D21/129
D. 282,183	1/1986	Shiraishi	D21/59
D. 330,042	10/1992	Yamaguchi et al.	D19/52 X
D. 336,751	6/1993	Mak	D19/52

D. 345,176	3/1994	Monzyk	D19/42
D. 345,177	3/1994	Mak	D19/52
2,774,182	12/1956	Beder	D21/129 X
4,713,012	12/1987	Poplawski et al.	434/81 X
5,163,846	11/1992	Lee	434/85 X
5,213,504	5/1993	Lee et al.	434/88 X

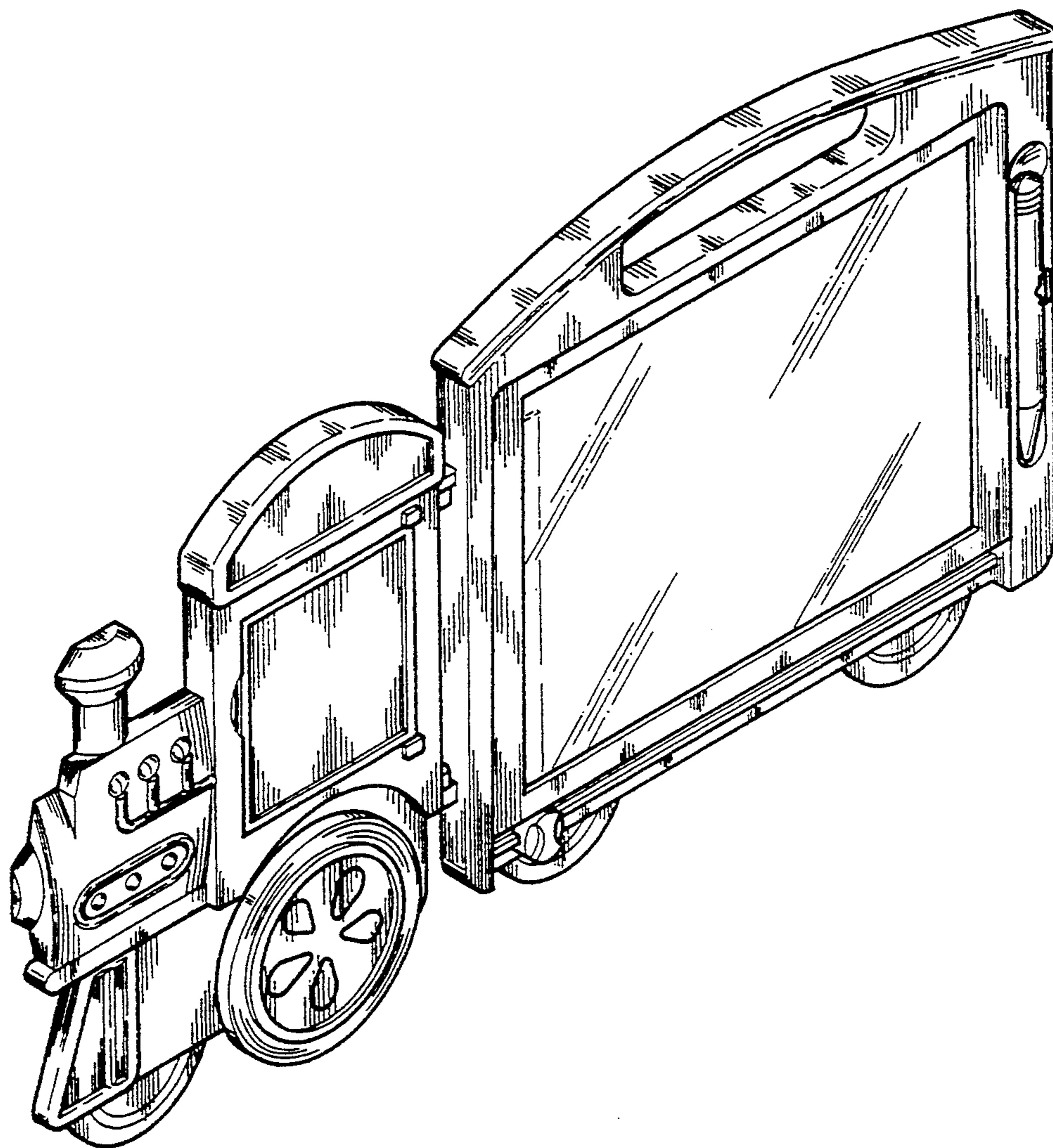
Primary Examiner—Martie Thompson
Attorney, Agent, or Firm—Alfred Lei

[57] **CLAIM**

The ornamental design for a painting board for children, as shown and described.

DESCRIPTION

FIG. 1 is a perspective view of a painting board for children my new design;
 FIG. 2 is a front view thereof;
 FIG. 3 is a rear view thereof;
 FIG. 4 is a right side elevational view thereof;
 FIG. 5 is a left side elevational view thereof;
 FIG. 6 is a top plan view thereof; and,
 FIG. 7 is a bottom plan view thereof.



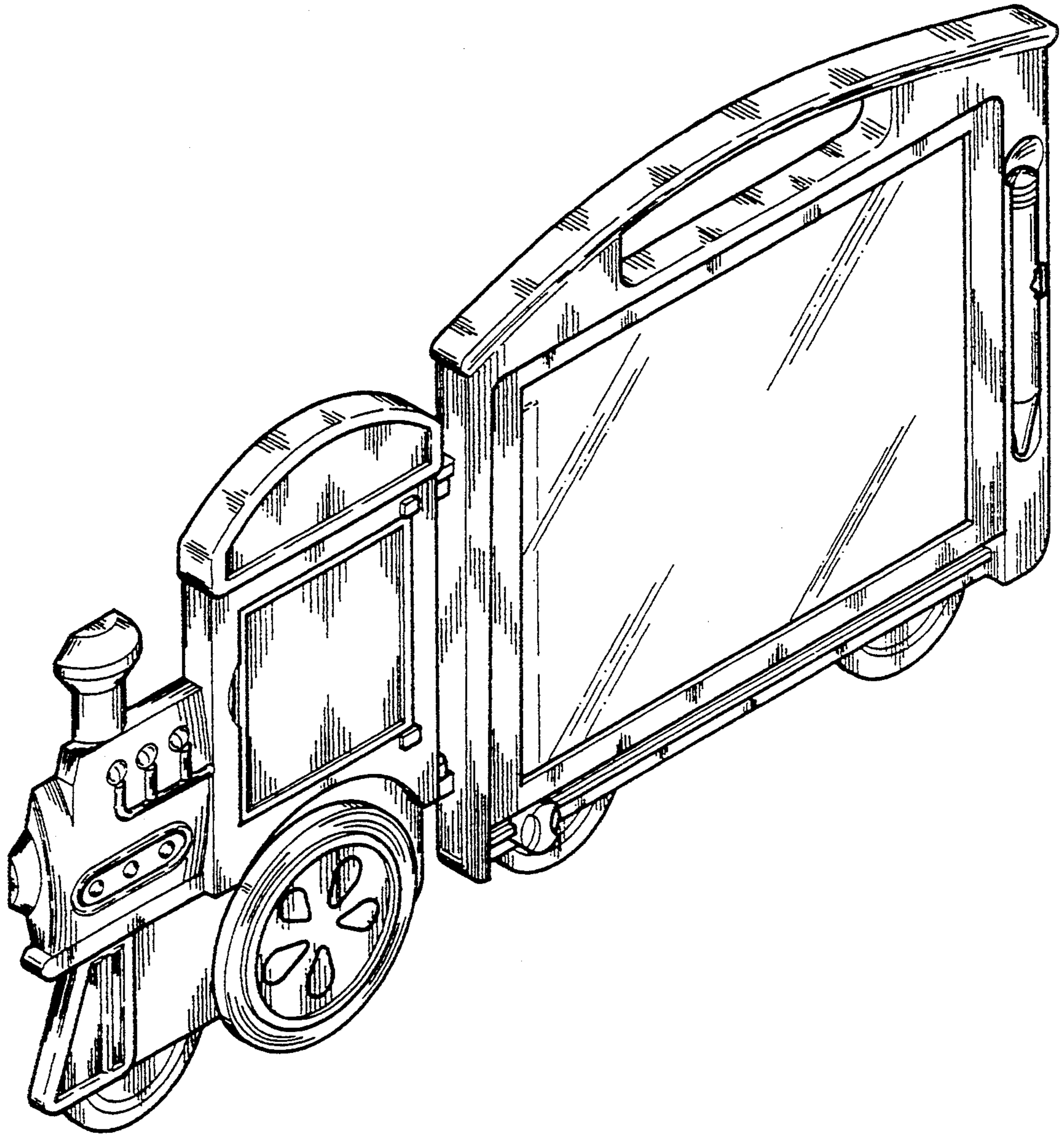


FIG. 1

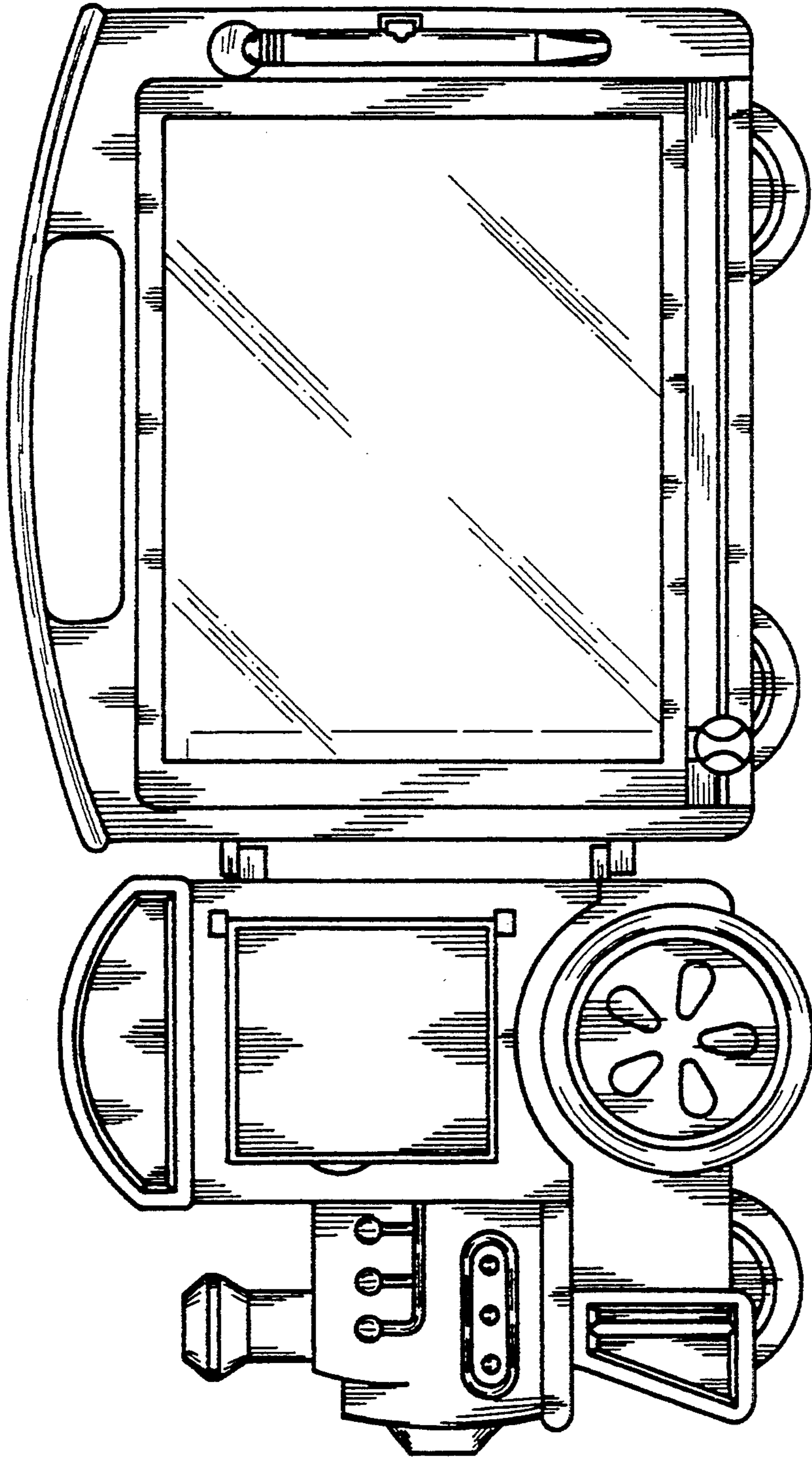


FIG. 2

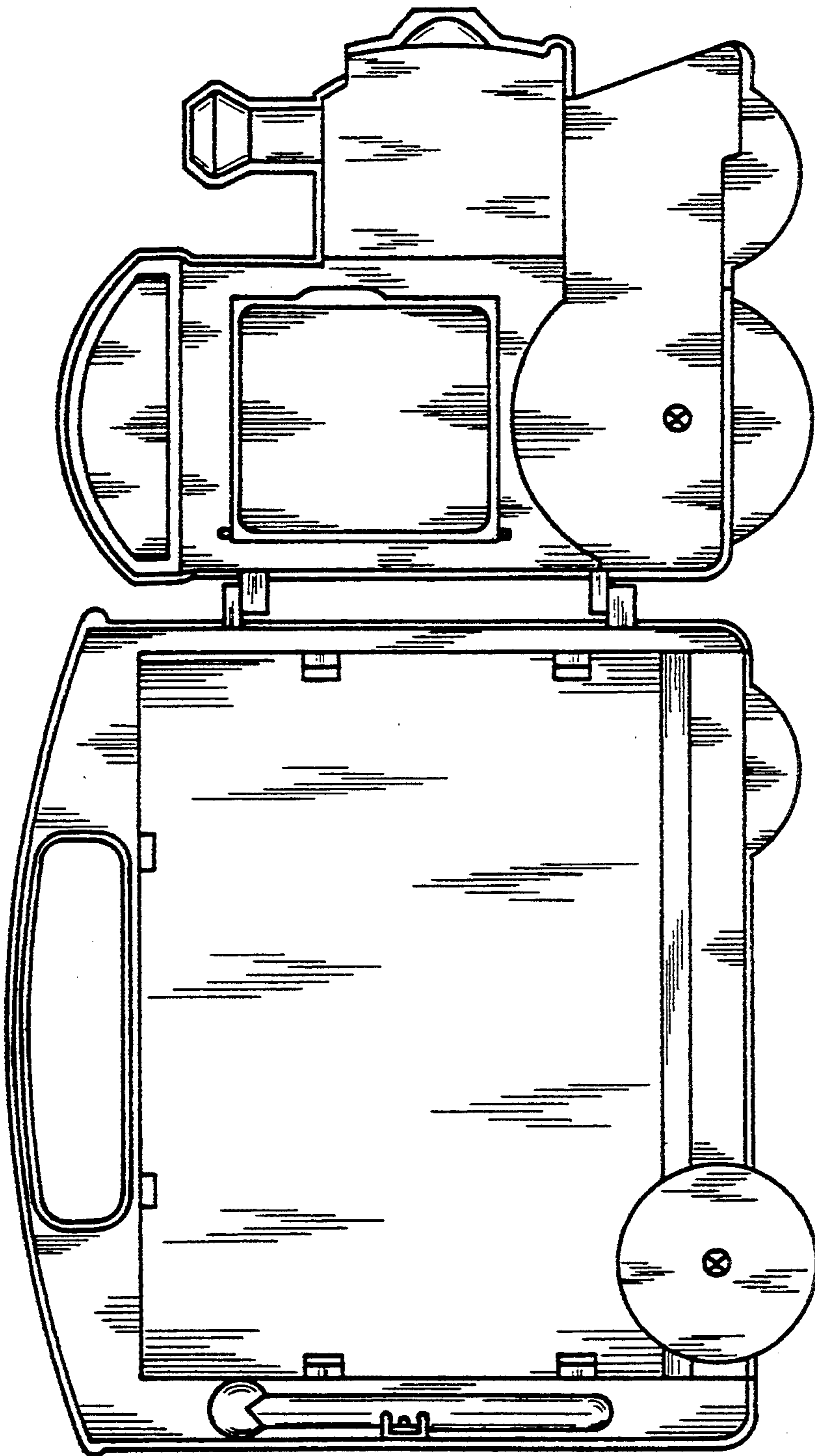


FIG. 3



FIG. 5



FIG. 4



FIG. 6



FIG. 7