



US00D359505S

United States Patent [19]

[11] Patent Number: **Des. 359,505**

Sugimoto

[45] Date of Patent: **** Jun. 20, 1995**

[54] **PRINTER FOR ELECTRONIC COMPUTER**

[75] Inventor: **Isao Sugimoto**, Tokyo, Japan

[73] Assignee: **Citizen Watch Co., Ltd.**, Tokyo, Japan

[**] Term: **14 Years**

[21] Appl. No.: **16,458**

[22] Filed: **Dec. 17, 1993**

[30] **Foreign Application Priority Data**

Oct. 12, 1993 [JP] Japan 30548/1993

[52] U.S. Cl. **D18/50**

[58] Field of Search D18/50, 54, 55;
400/691-694, 613, 613.1-613.4, 690.1-690.4

[56] **References Cited**

U.S. PATENT DOCUMENTS

- D. 286,153 10/1986 Davis D18/55
- D. 314,208 1/1991 Hidaka et al. D18/54
- D. 316,869 5/1991 Sogawara et al. D18/54
- D. 330,721 11/1992 Yoshihara D18/50
- D. 333,299 2/1993 Amber et al. D18/50
- D. 340,471 10/1993 Yamamoto D18/50

FOREIGN PATENT DOCUMENTS

- 53684 12/1984 Canada D18/o
- 218855 8/1992 Japan .
- 118202 2/1993 Japan .

OTHER PUBLICATIONS

Fargo Electronics, Inc. advertisement for Primera Color Printer in Reseller News; Aug. 23, 1993.
Okidata O1400e Printer advertisement in The Hard Copy Observer, Aug. 1993.

Dell Catalog; Canon Bubble Jet Printer BJ-10ex-Editors' Choice.

Mannesmann Tally Corp. brochure for Mobilewriter PS; ©1993.

Seikosha LT-20 printer brochure; A Seiko Group Company; ©1991.

U.S. Official Gazettes (Design Patents): D 332,112--Canon, Dec. 29, 1992.

Printer for Electronic Computer, N. Miyamoto et al, p. 3121.

German Design Gazettes: No. M 9108004.5-Tokyo Electric Co., Ltd.; Apr. 25, 1992.

Primary Examiner—Cathy Anne MacCormac

Attorney, Agent, or Firm—Cushman Darby & Cushman

[57] **CLAIM**

The ornamental design for a printer for electronic computer, as shown and described.

DESCRIPTION

FIG. 1 is a top, front and right side perspective view of a printer for electronic computer showing my new design;

FIG. 2 is a top, rear and left side perspective view thereof;

FIG. 3 is a front elevational view thereof;

FIG. 4 is a rear elevational view thereof;

FIG. 5 is a top plan view thereof;

FIG. 6 is a bottom plan view thereof;

FIG. 7 is a right side elevational view thereof;

FIG. 8 is a left side elevational view thereof;

FIG. 9 is a bottom, front and left side perspective view thereof;

FIG. 10 is a bottom, rear and right side perspective view thereof; and,

FIG. 11 is a top, front and left side perspective view thereof, showing paper feeder in attached position.

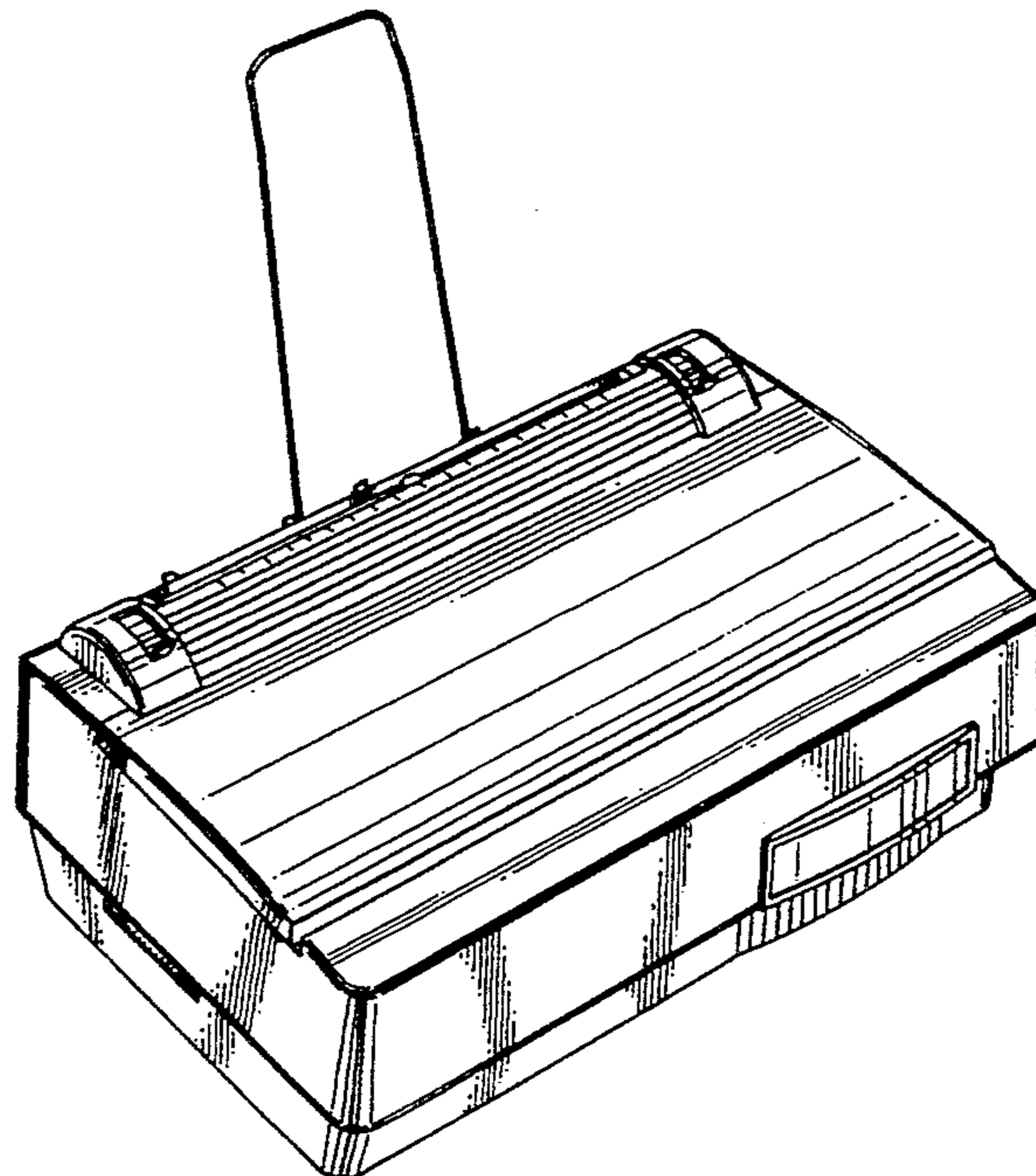


FIG. 1

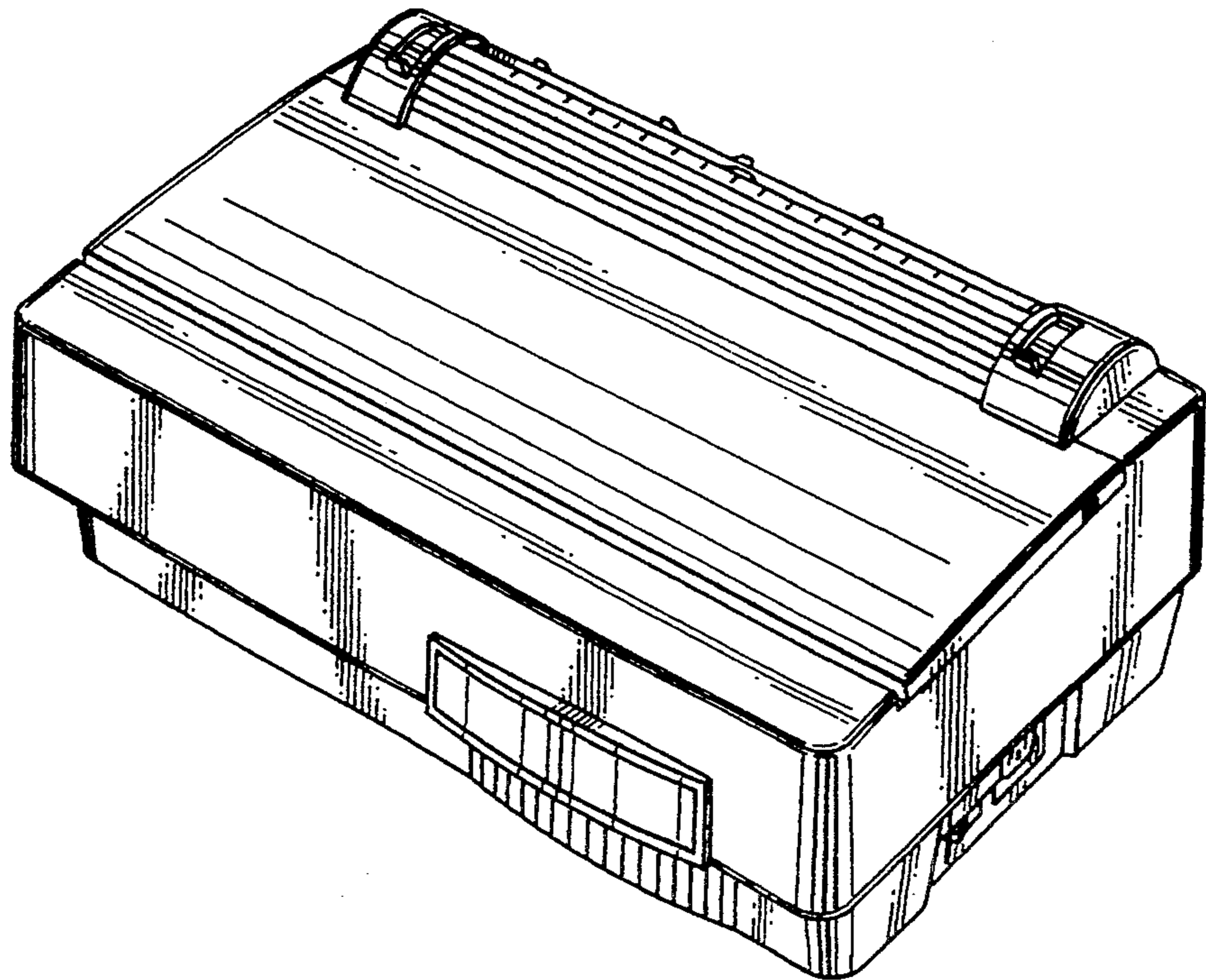


FIG. 2

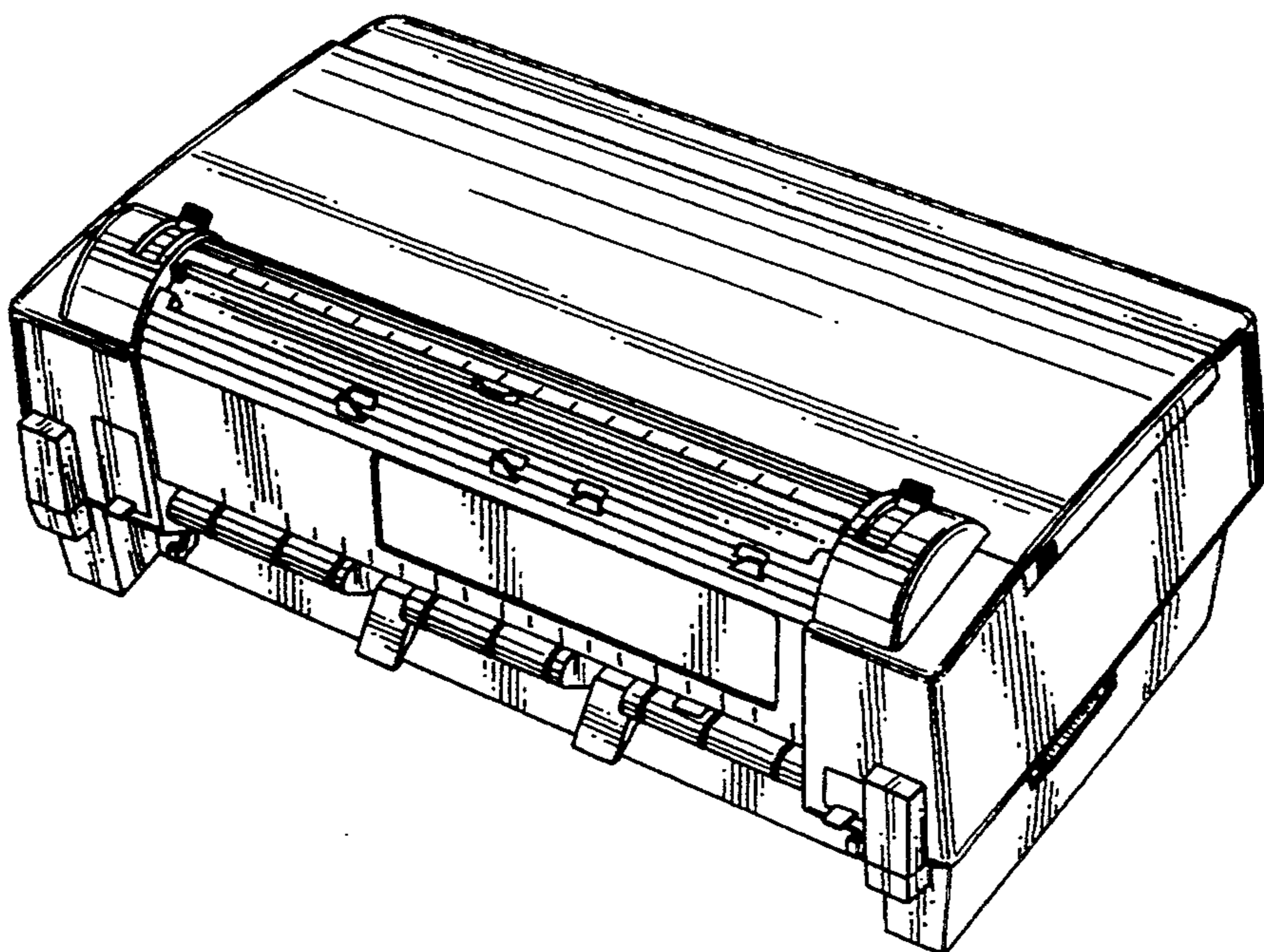


FIG.3

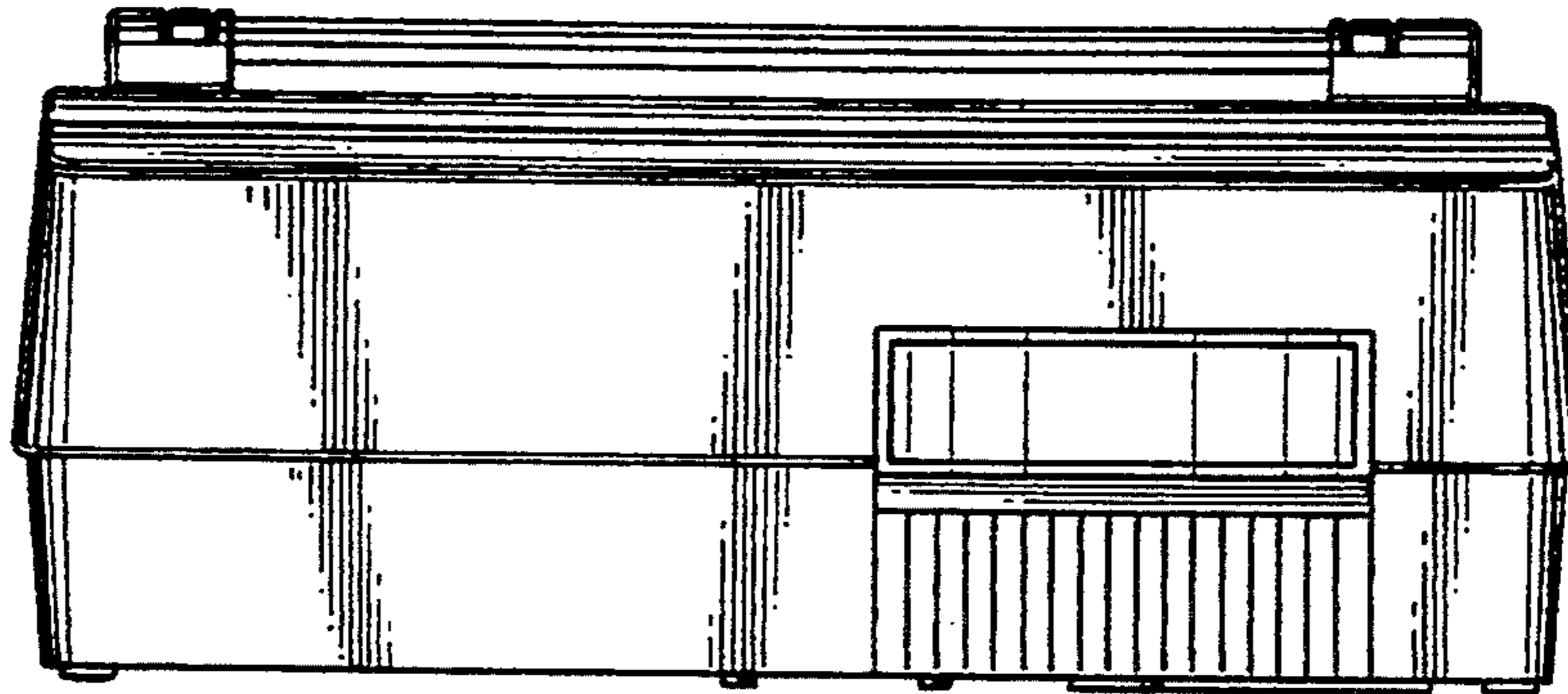


FIG.4

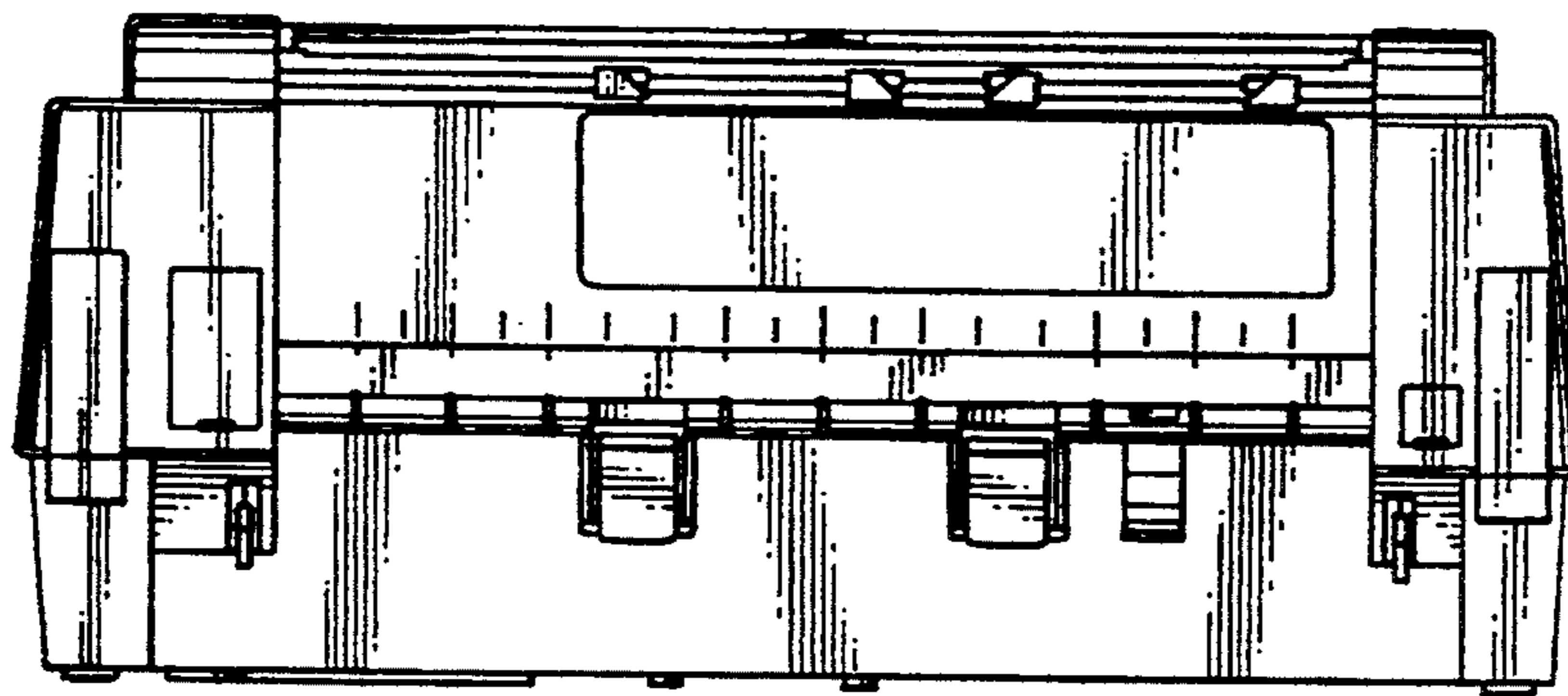


FIG.5

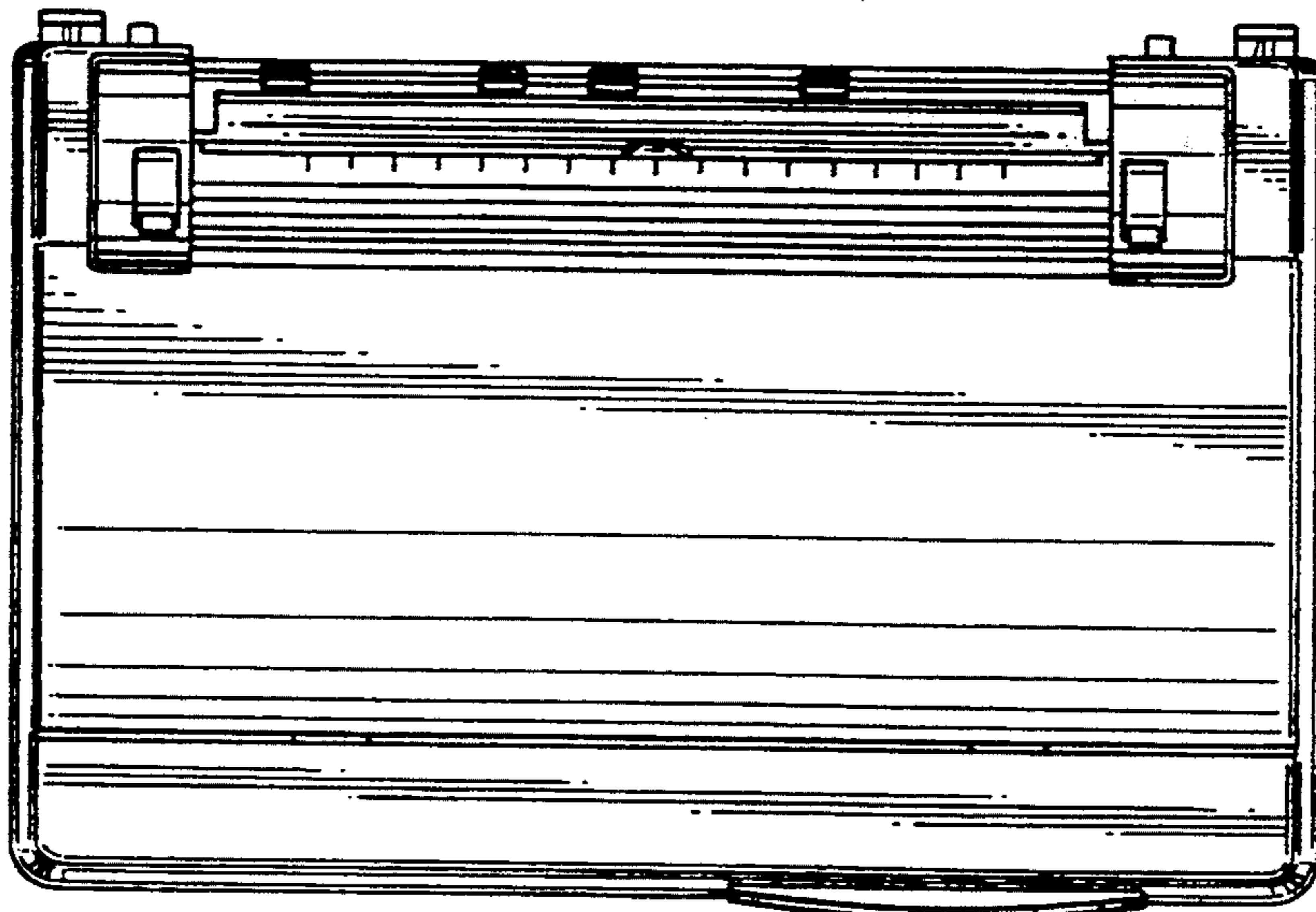


FIG.6

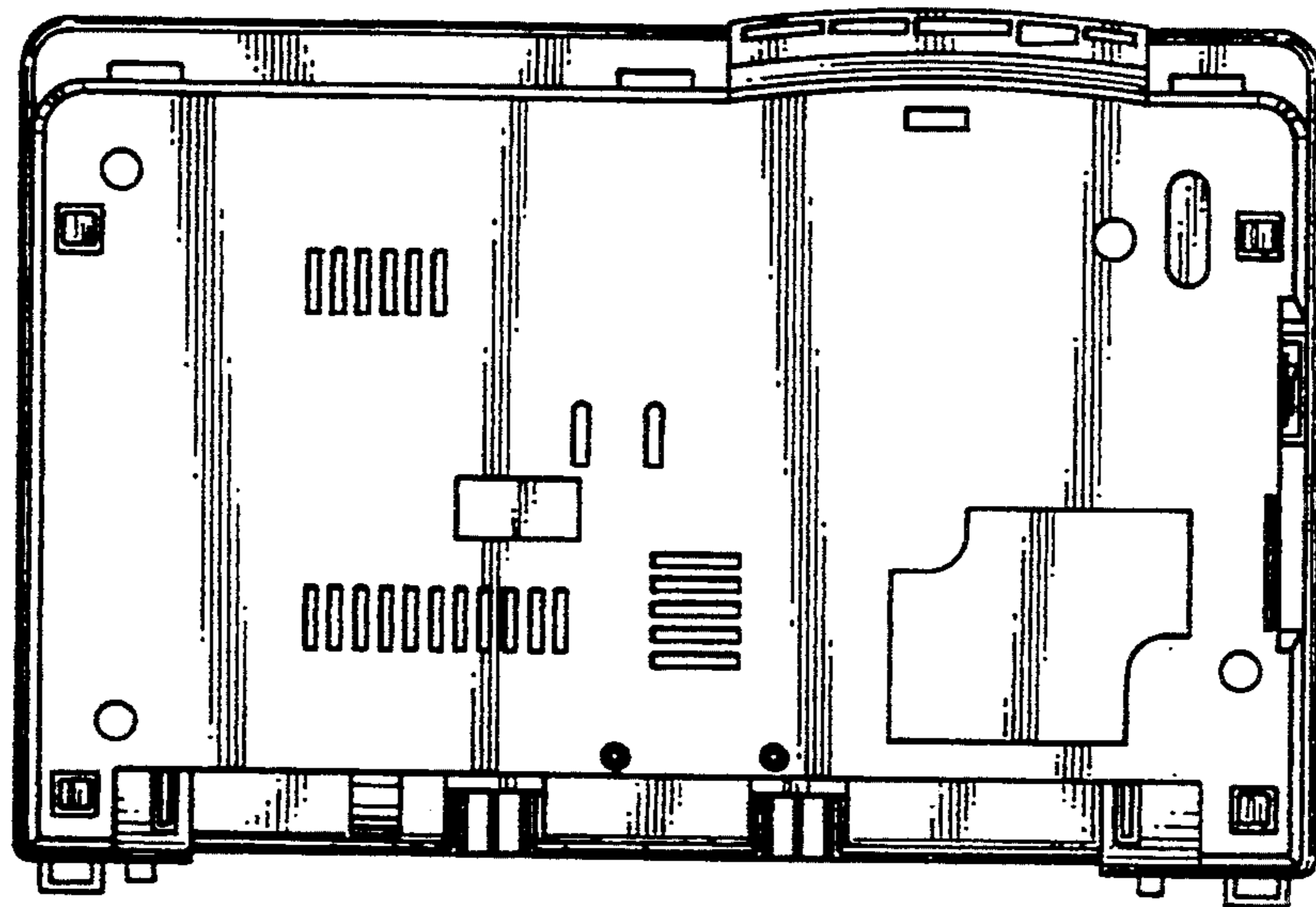


FIG.7

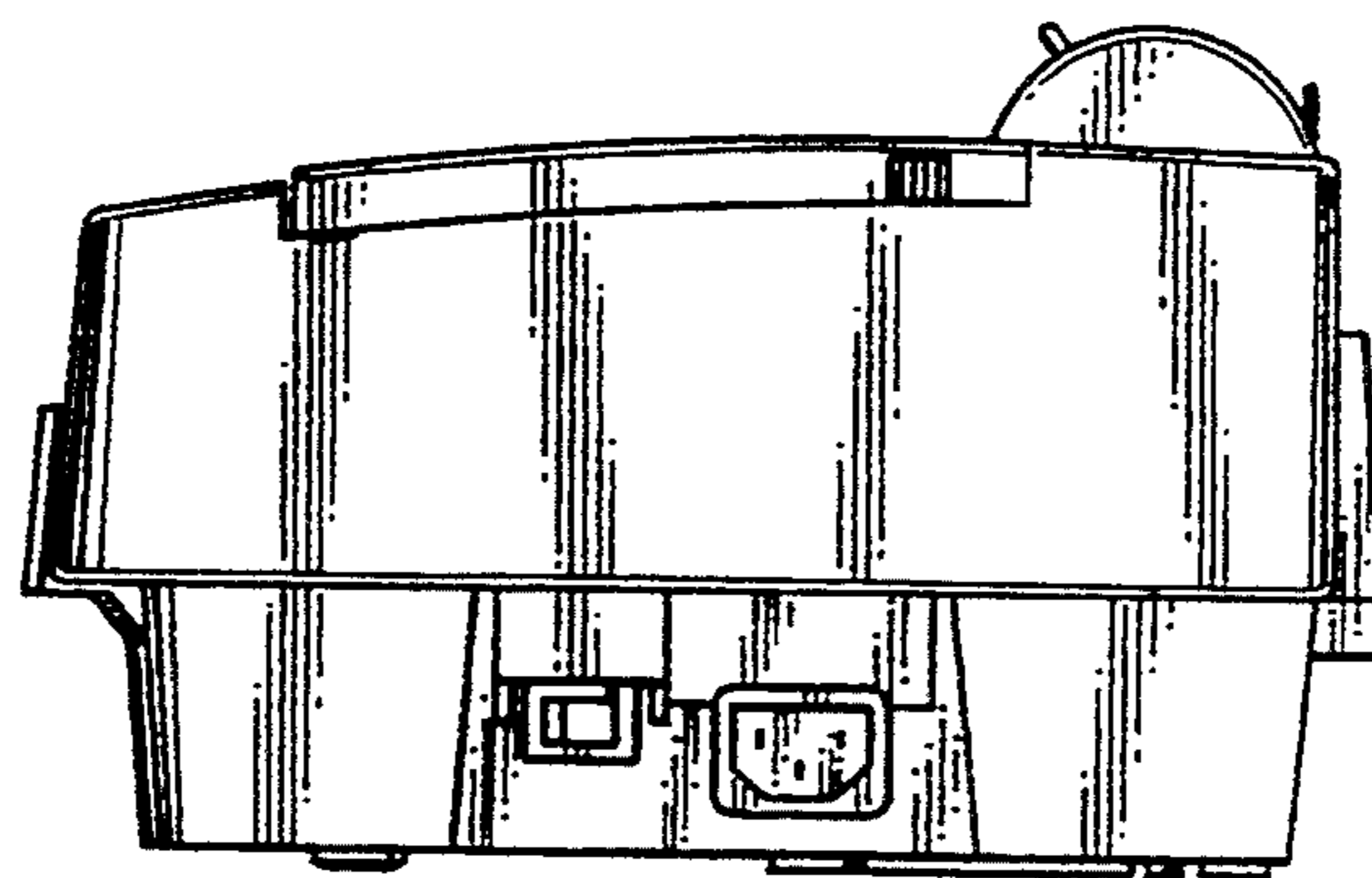


FIG.8

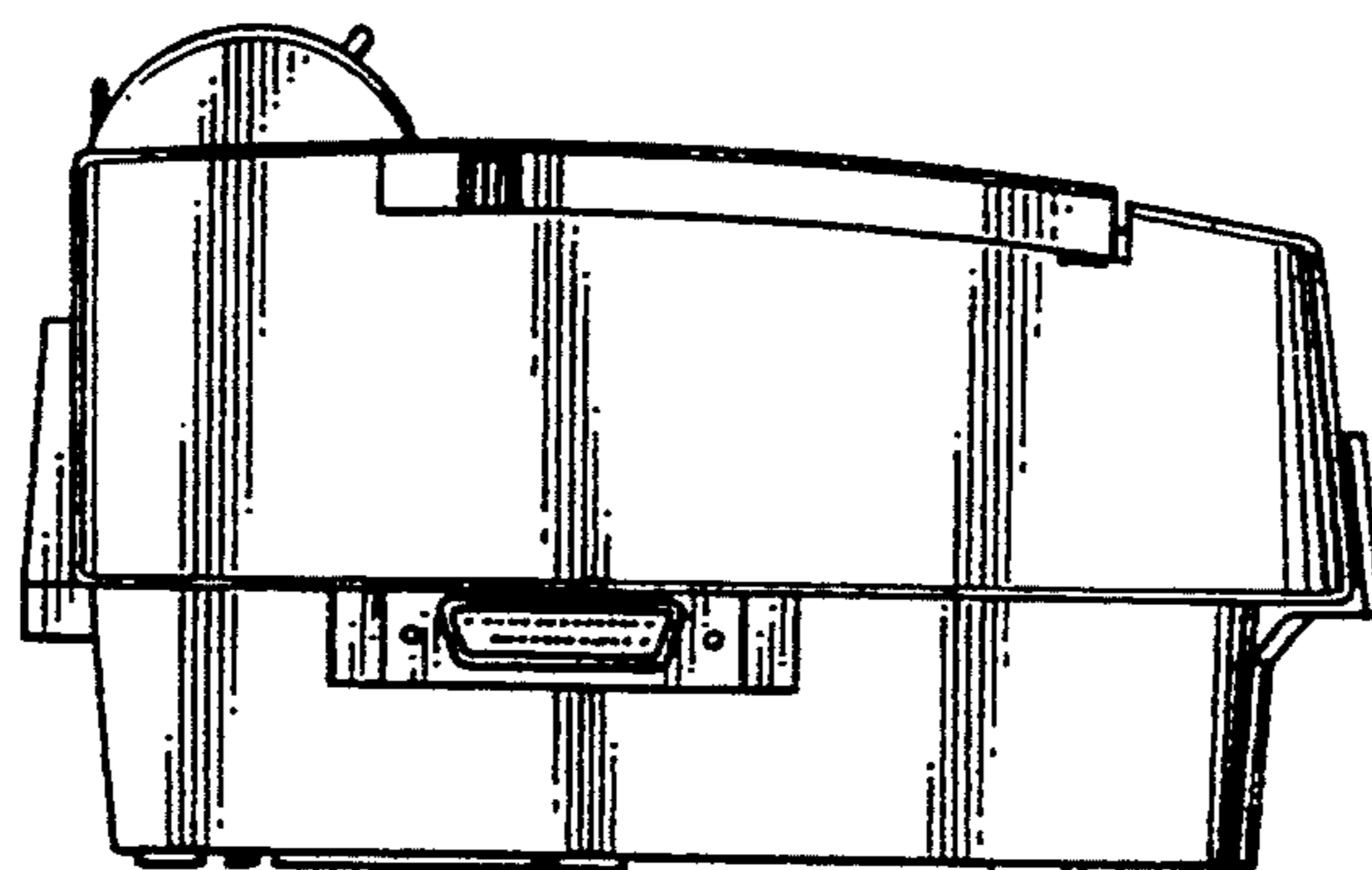


FIG.9

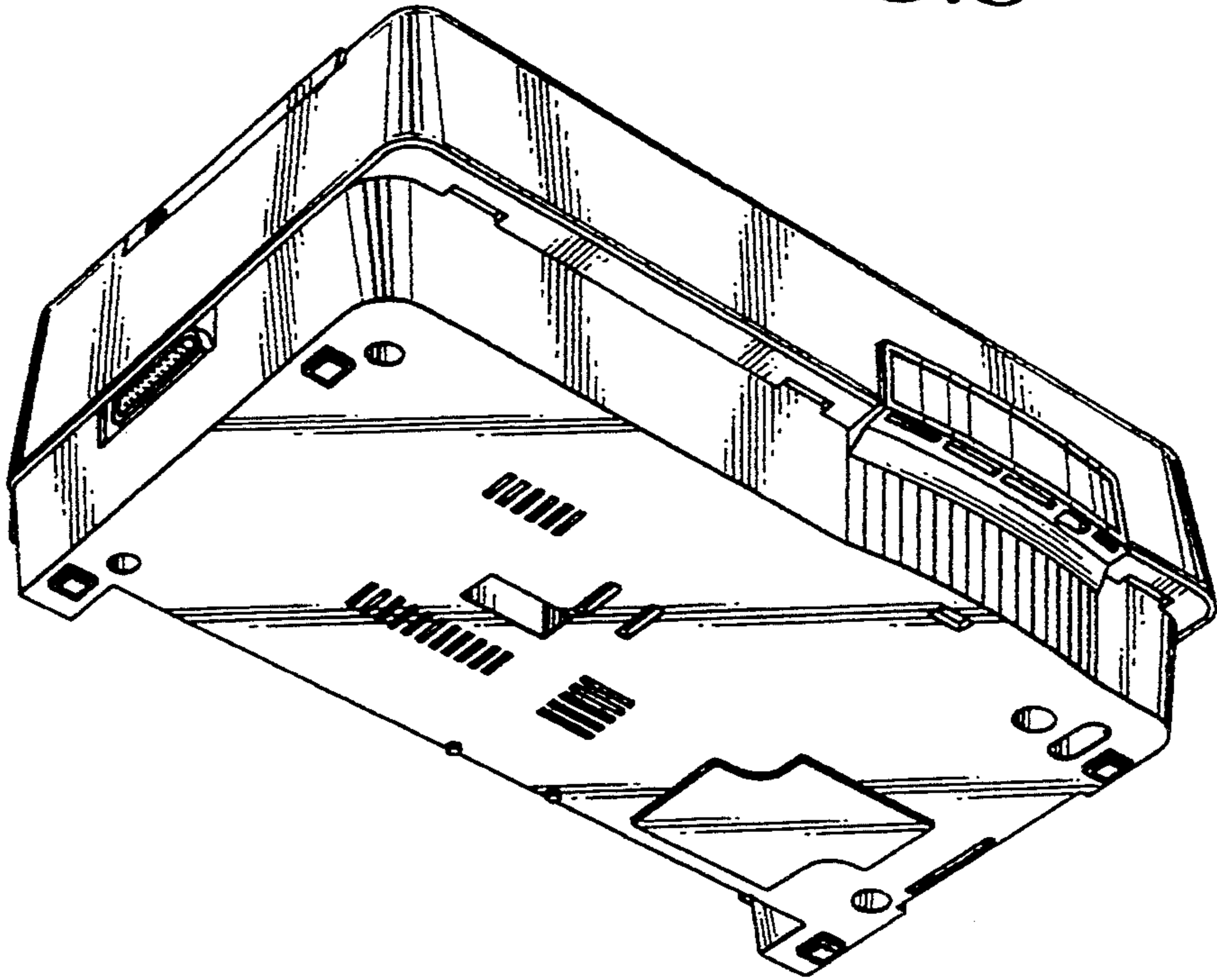


FIG.10

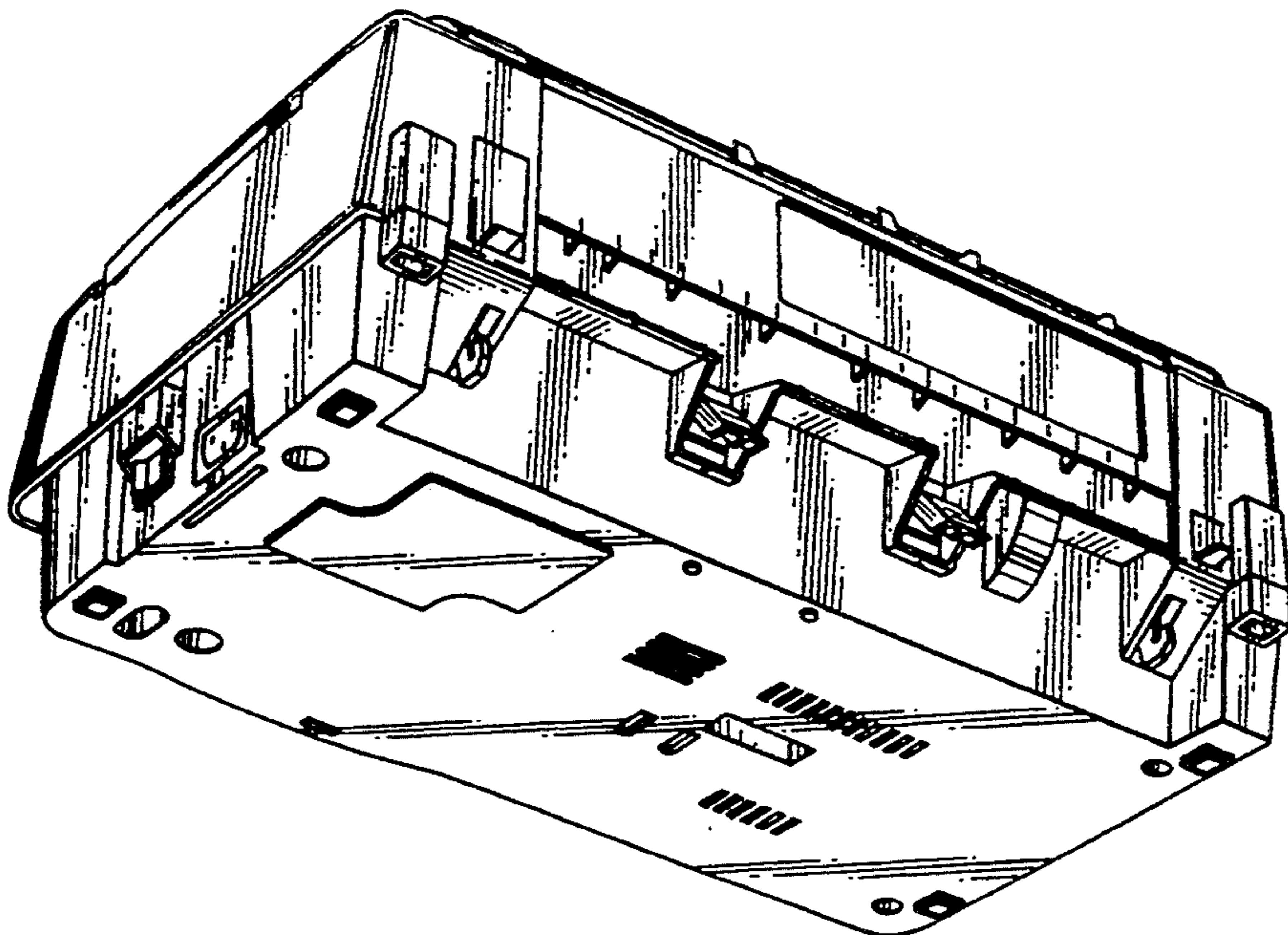


FIG.11

