



US00D359504S

United States Patent [19]

[11] Patent Number: **Des. 359,504**

Stefanski et al.

[45] Date of Patent: **** Jun. 20, 1995**

- [54] **HAND STAMP HANDLE**
- [75] Inventors: **Walter Stefanski**, Berkeley Heights, N.J.; **David Reid**, Greenwich, Conn.
- [73] Assignee: **M & R Marking Systems, Inc.**, Piscataway, N.J.
- [**] Term: **14 Years**
- [21] Appl. No.: **25,545**
- [22] Filed: **Jul. 5, 1994**
- [52] U.S. Cl. **D18/18; D18/15**
- [58] Field of Search **101/405-406, 101/333-334, 327, 371-373; D18/15, 17, 18**

- 5,115,729 5/1992 Beckman et al. 101/327
- 5,261,325 11/1993 Bengtsson 101/327

OTHER PUBLICATIONS

M&R Marking System's brochure for pre-inked stamps, Apr. 1993.
 M&R Marking Systems advertisement in Marking Industry's Magazine; May 1991.

Primary Examiner—Cathy Anne MacCormac
Attorney, Agent, or Firm—Lerner, David, Littenberg, Krumholz & Mentlik

[56] References Cited

U.S. PATENT DOCUMENTS

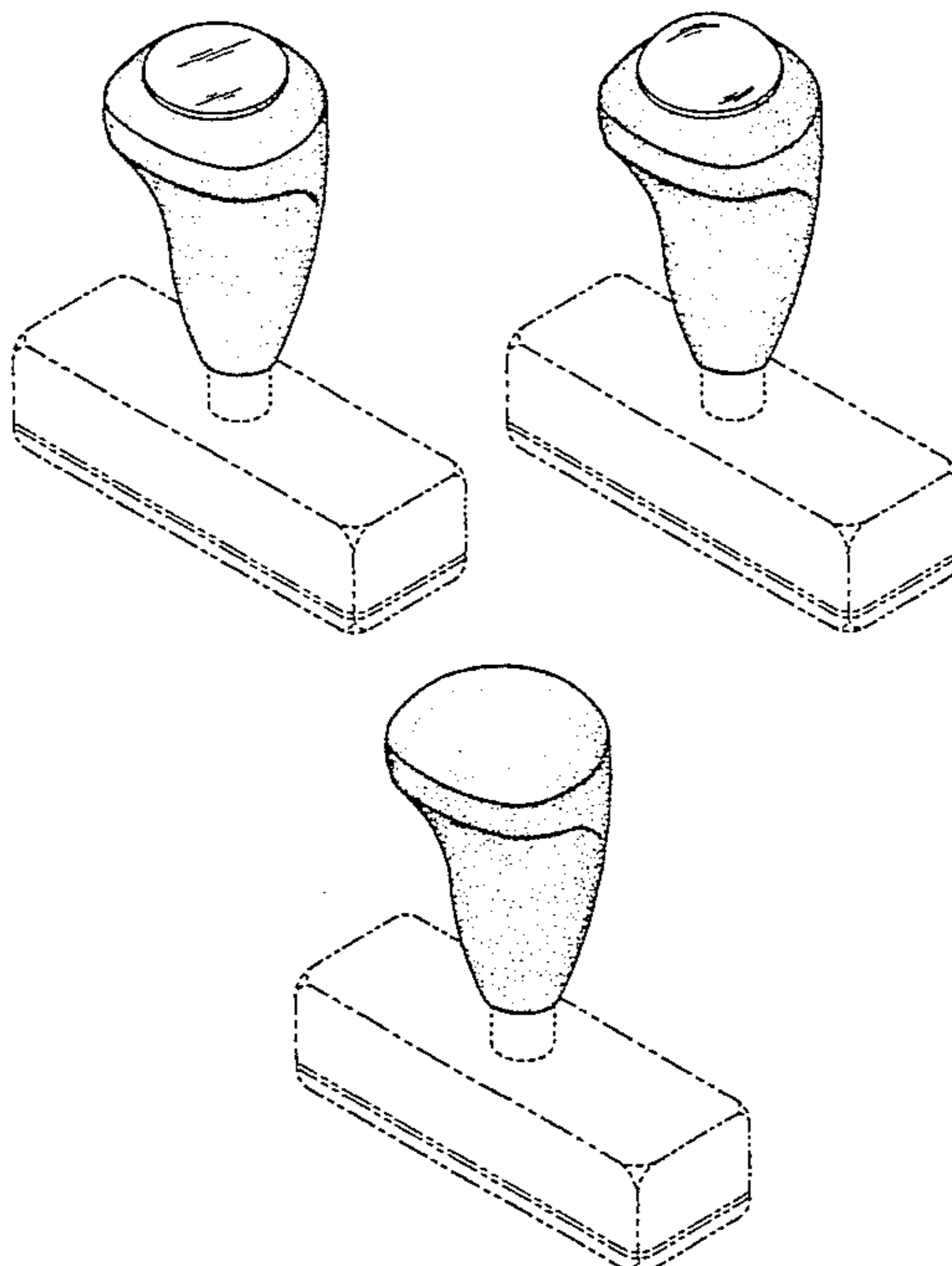
D. 231,027	3/1974	Funahashi	D18/15
D. 231,028	3/1974	Funahashi	D18/15
D. 232,484	8/1974	Michels	D18/15
D. 247,261	2/1978	Hörmann	D18/15
D. 261,897	11/1981	Bengtsson	D18/15
D. 266,257	9/1982	Ahrens	D18/15
D. 267,496	1/1983	Goldstein	D18/15
D. 273,120	3/1984	Ito	D18/15
D. 284,014	5/1986	Iwasaki et al.	D18/15
D. 346,396	4/1994	Sculler	D18/18
D. 352,521	11/1994	Scully et al.	D18/15
2,088,009	7/1937	Melind	101/111
2,096,340	1/1937	Richeson	101/111
2,176,160	10/1939	Uhl, Jr.	101/381
2,252,649	8/1941	Smallman	101/333
2,314,828	3/1943	Humphries	101/334
3,302,566	2/1967	Blanchet	101/405
3,359,897	12/1967	Harte	101/334
3,380,378	4/1968	Edwards et al.	D18/15
4,029,012	6/1977	Smith, III et al.	101/327
4,362,101	12/1982	Ahrens	101/327
4,561,353	12/1985	Chapman et al.	101/405
4,594,943	6/1986	Neltesheim et al.	101/327

[57] CLAIM

The ornamental design for a hand stamp handle, as shown and described.

DESCRIPTION

FIG. 1 is a perspective view of a first embodiment of a hand stamp handle showing our new design;
 FIG. 2 is a front view thereof;
 FIG. 3 is a rear view thereof;
 FIG. 4 is a left side view thereof (the right side view is a mirror image of the left side view);
 FIG. 5 is a top plan view thereof;
 FIG. 6 is a bottom plan view thereof;
 FIG. 7 is a perspective view of a second embodiment of the hand stamp handle of the present invention;
 FIG. 8 is a left side view of the embodiment of the design shown in FIG. 7;
 FIG. 9 is a perspective view of a third embodiment of the hand stamp handle of the present invention; and,
 FIG. 10 is a left side view of the design shown in FIG. 9.
 The difference in the second embodiment is in the dome shaped top lens and the lack of any lens in the third embodiment.
 The broken lines are for purposes of illustration only and form no part of the claimed design.



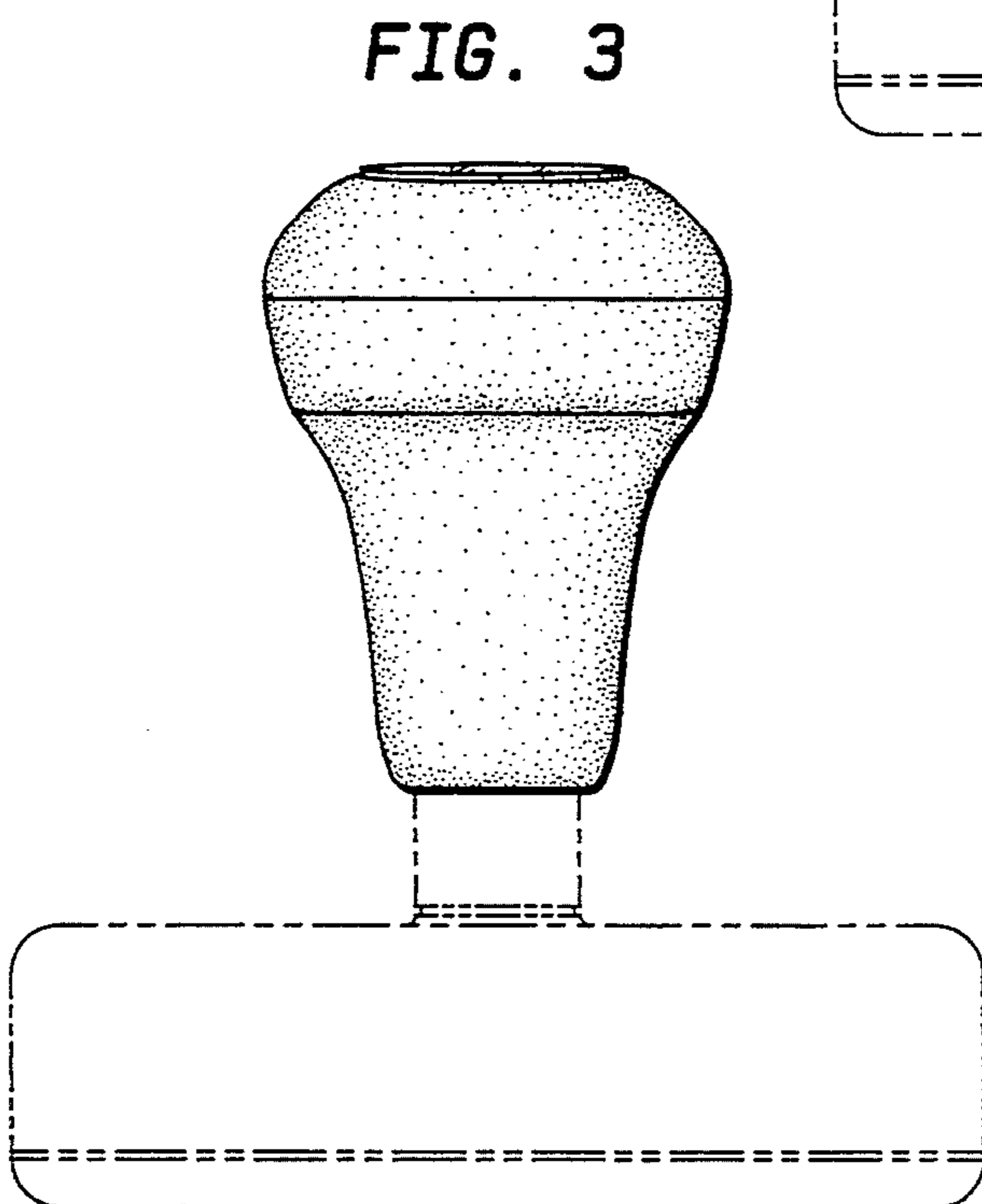
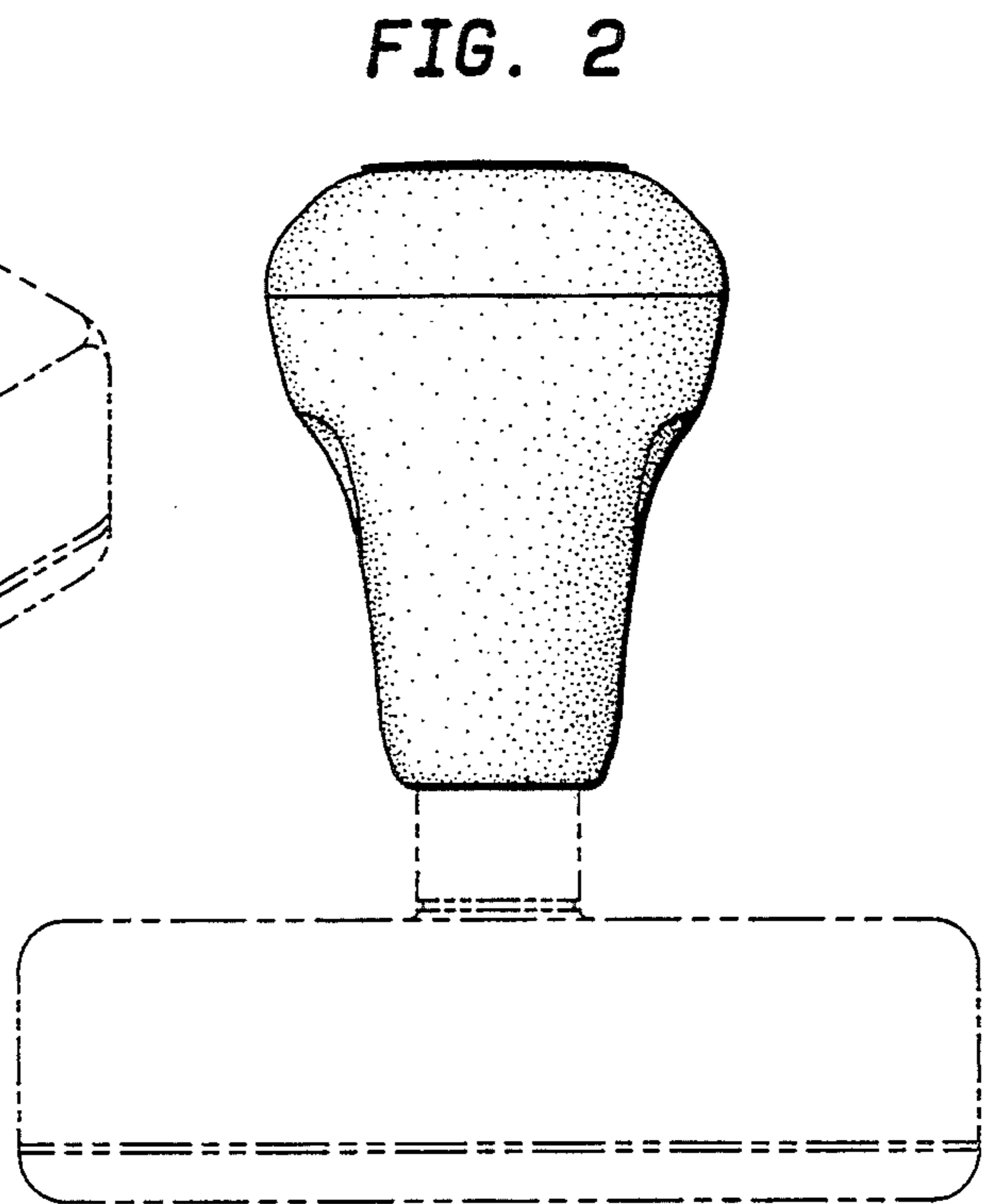
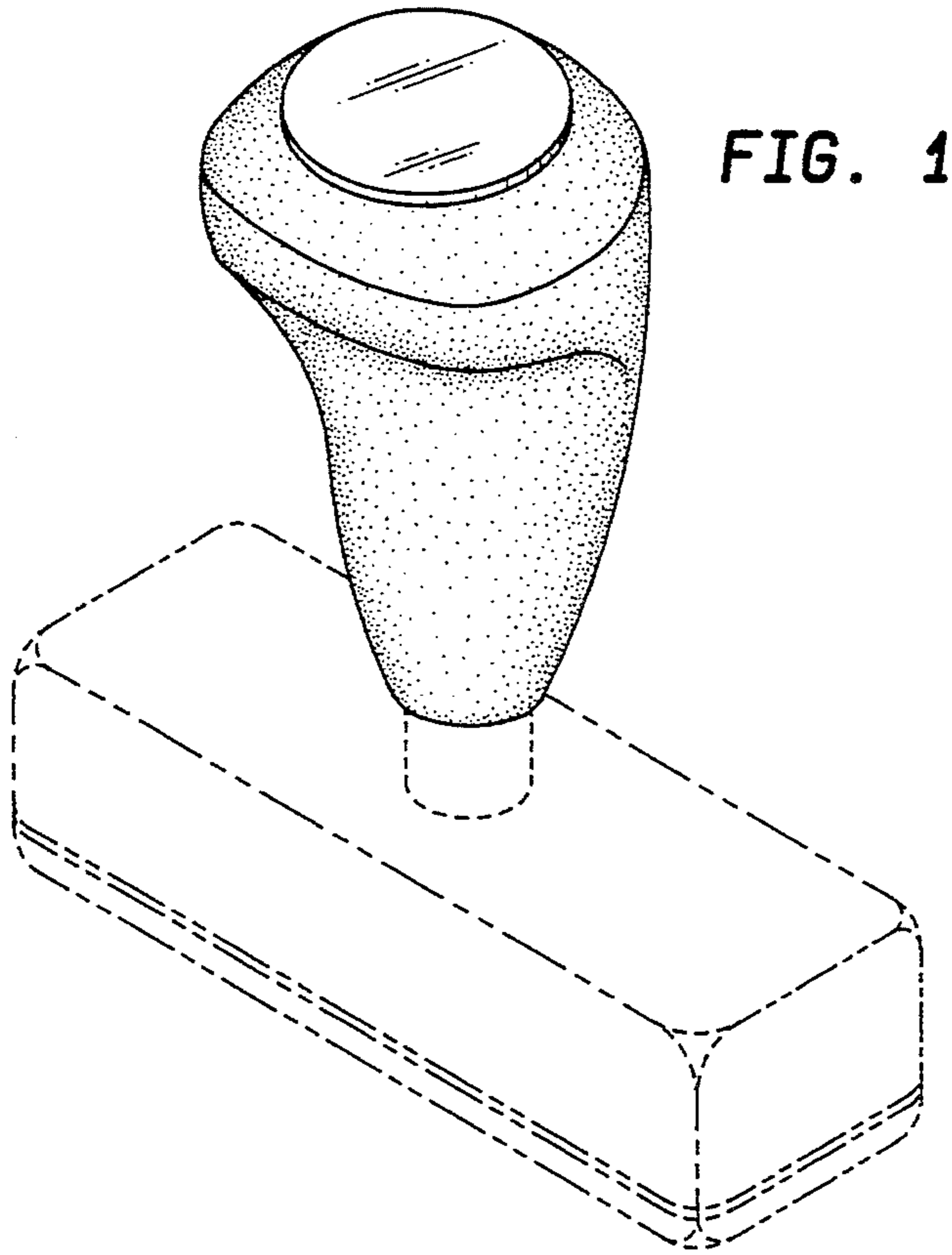


FIG. 4

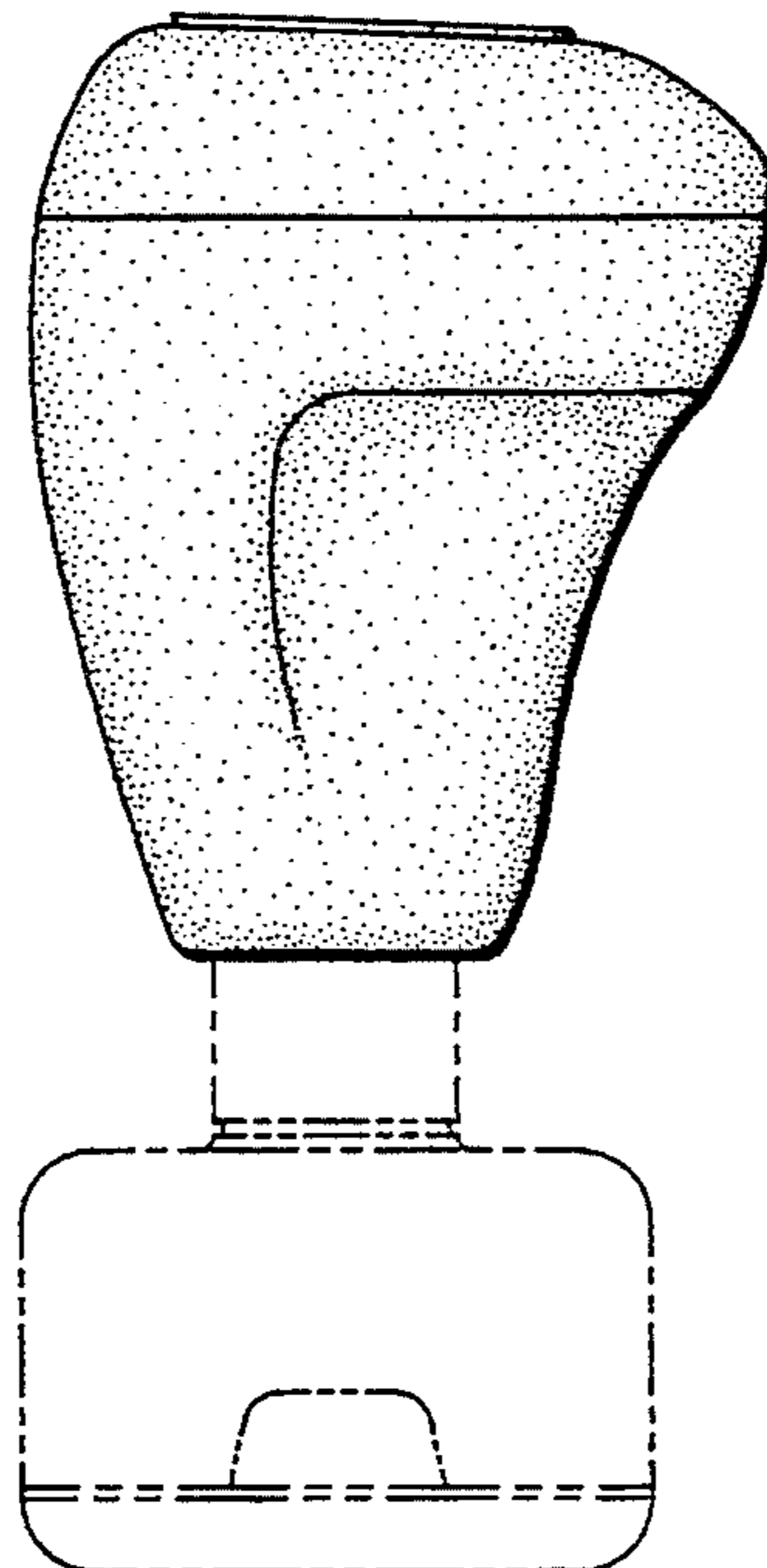


FIG. 5

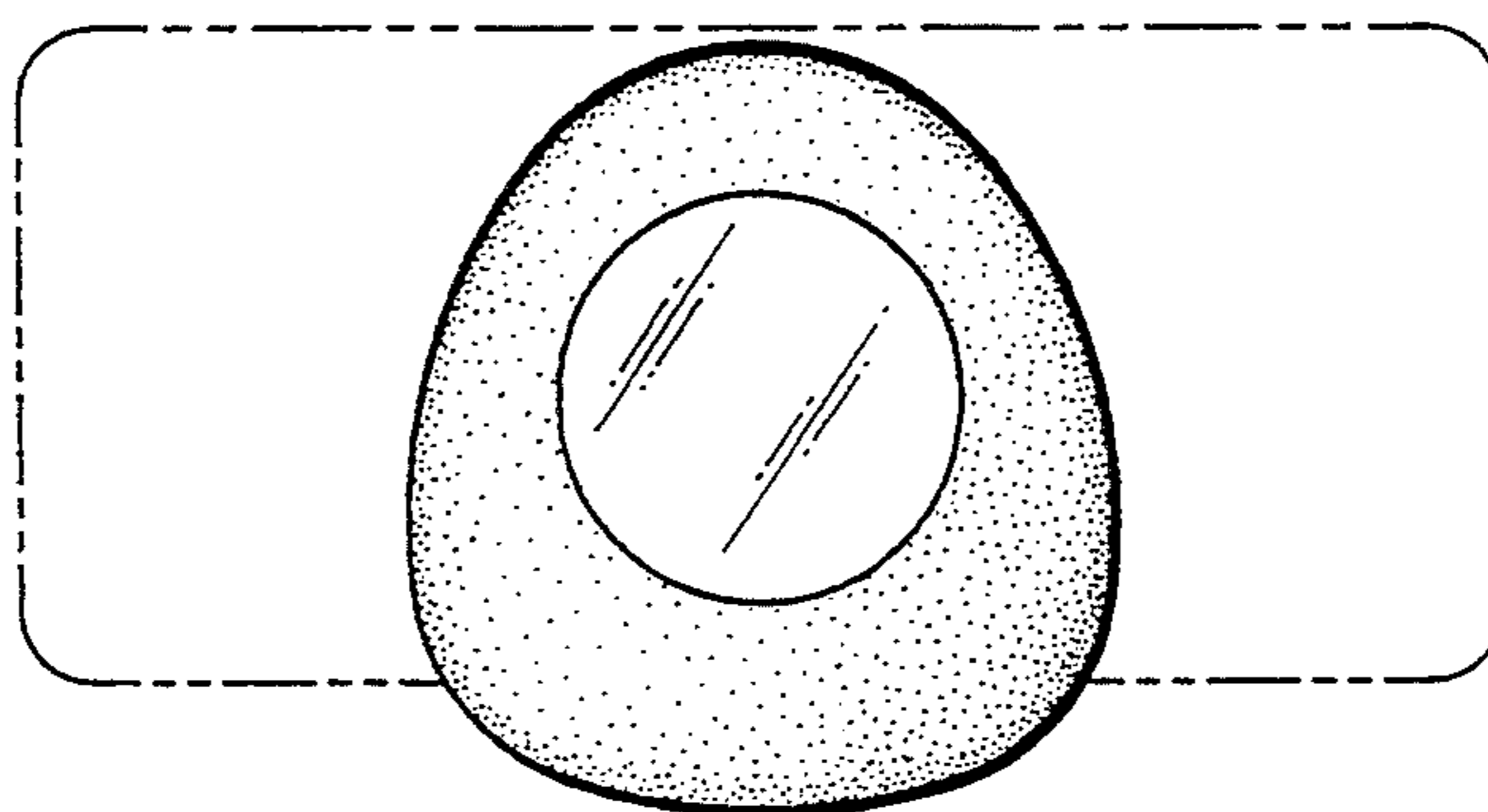


FIG. 6

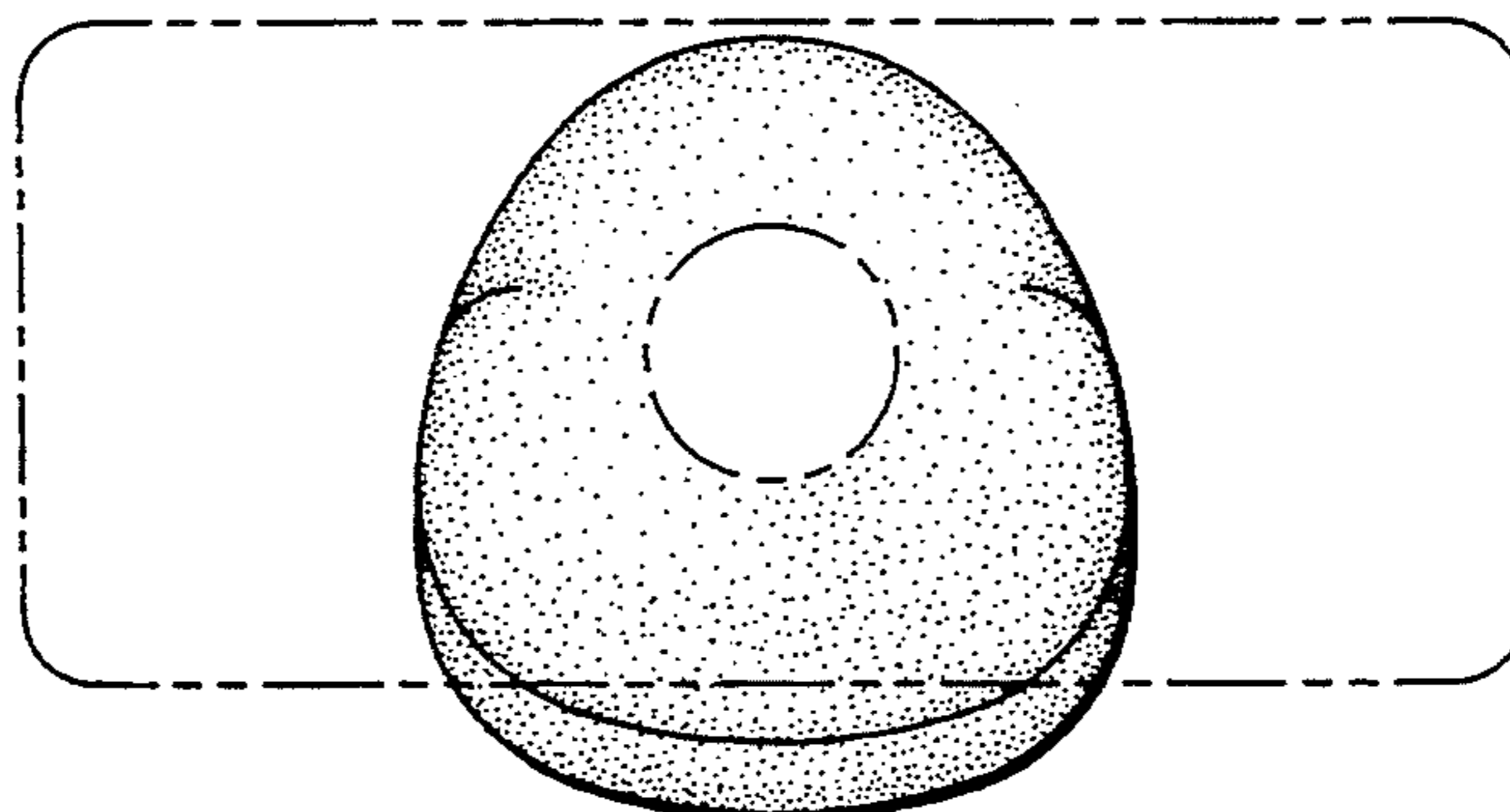


FIG. 7

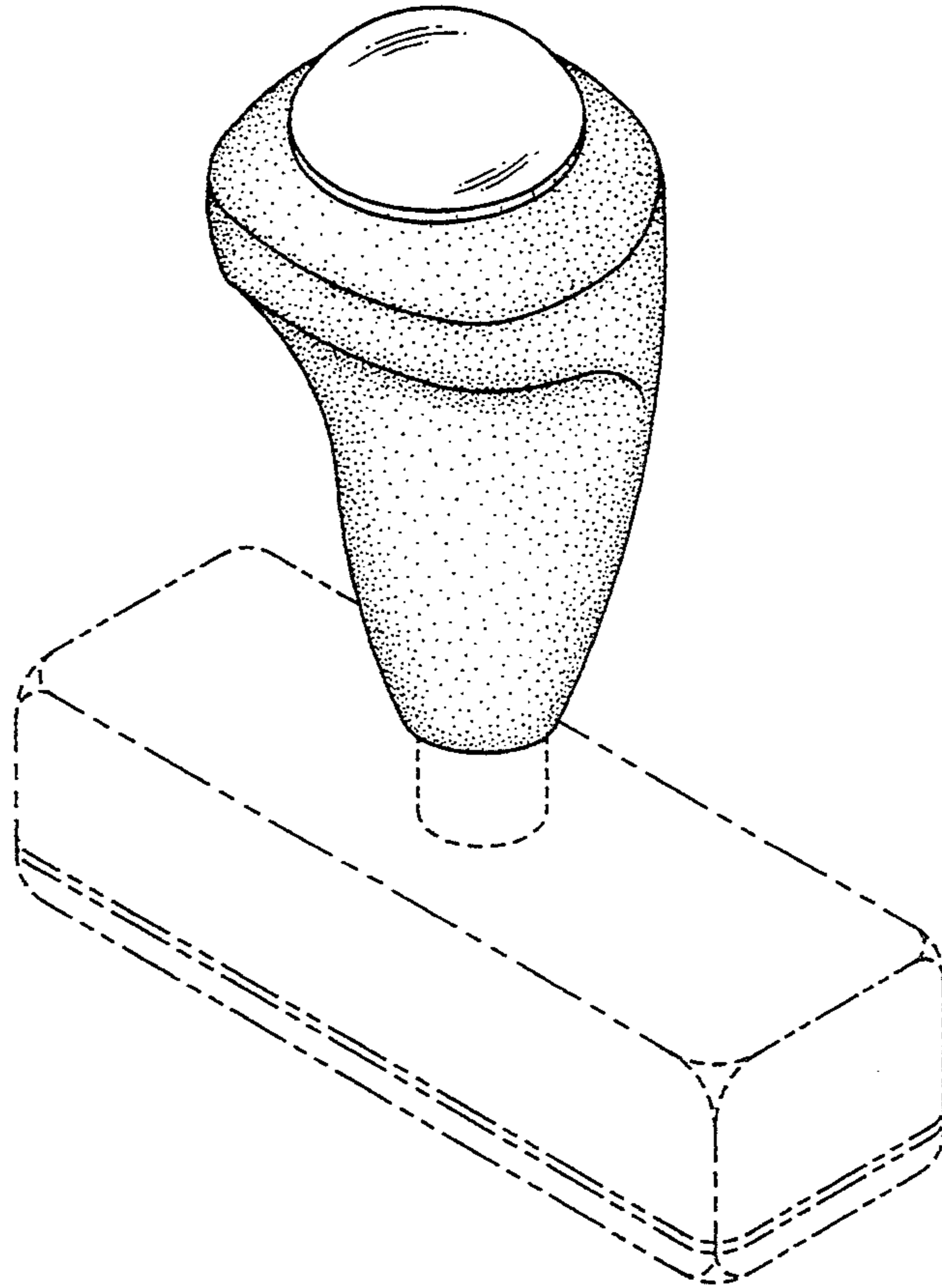


FIG. 8

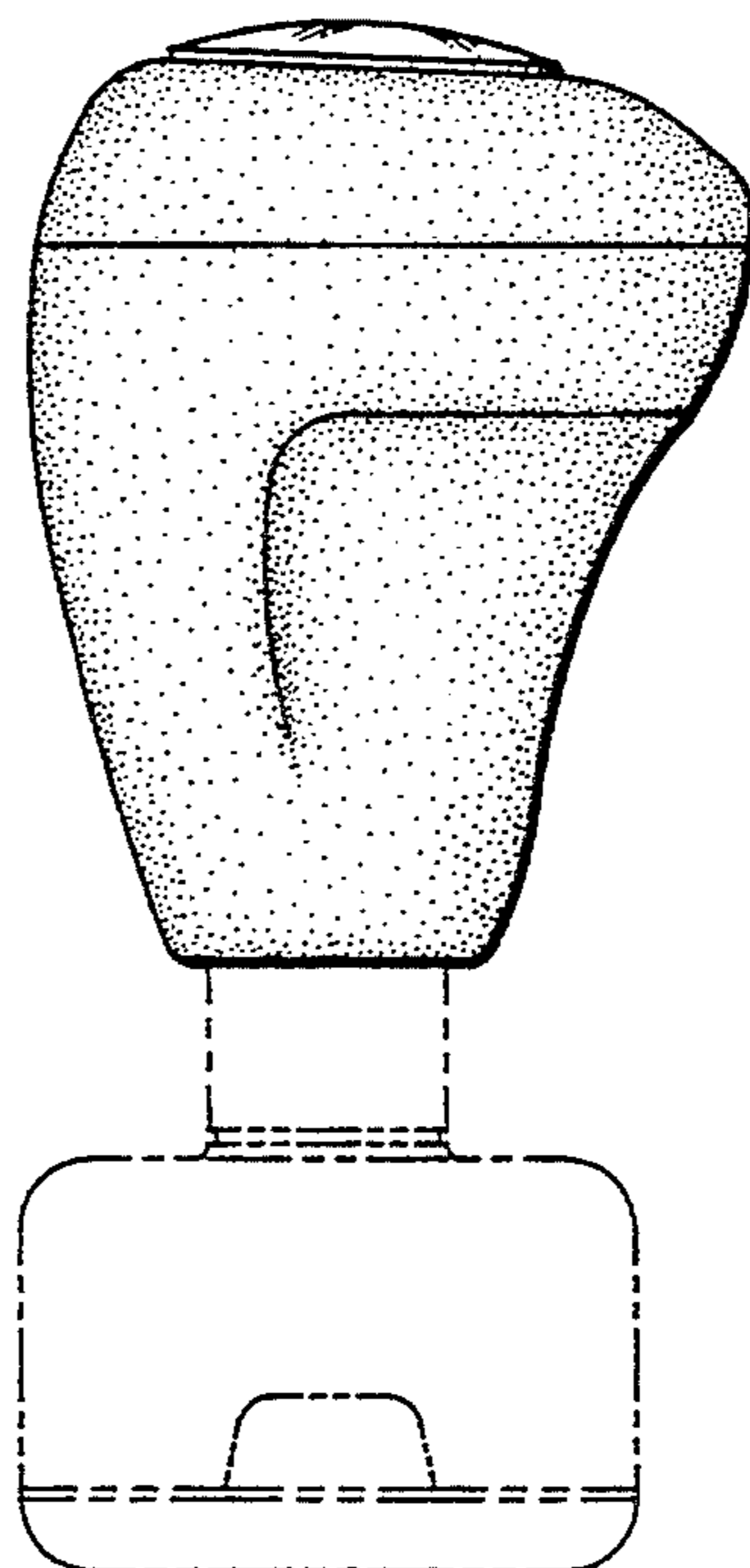


FIG. 9

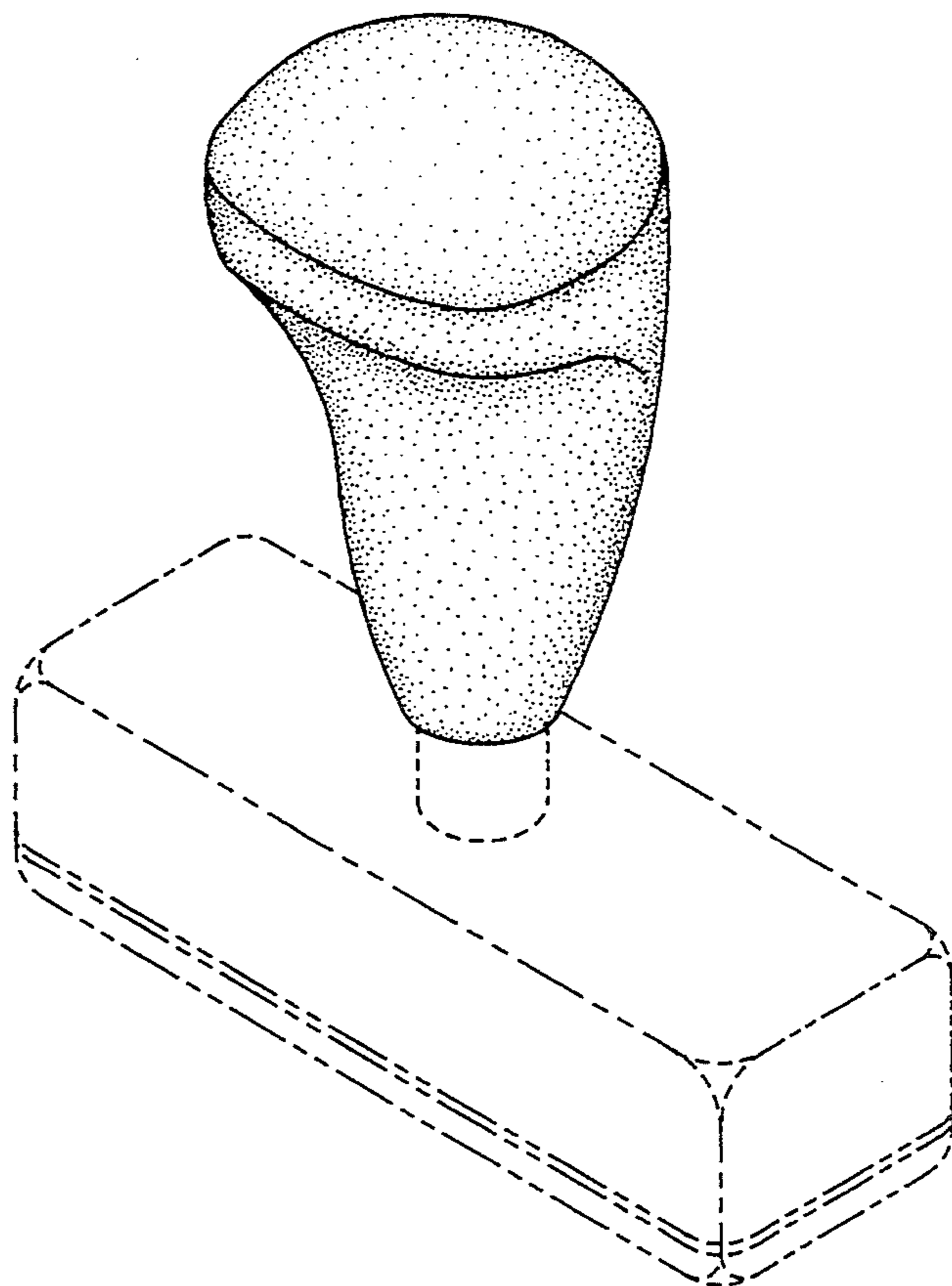


FIG. 10

