



US00D359499S

United States Patent [19]

[11] Patent Number: **Des. 359,499**

Gower et al.

[45] Date of Patent: **** Jun. 20, 1995**

[54] VIDEO CAMERA FOR A PERSONAL COMPUTER

[56] References Cited

[75] Inventors: **Andrew P. Gower**, Woodbridge; **Gus Desbarats**, London, both of England

U.S. PATENT DOCUMENTS

D. 243,600	3/1977	Slany	D16/202
D. 244,931	7/1977	Miller et al.	D16/205
D. 347,442	5/1994	Falconer	D16/205
4,893,326	1/1990	Duran et al.	379/53
5,012,348	4/1991	Witzel et al.	348/373
5,224,675	7/1993	Ellenberger et al.	248/183

[73] Assignee: **British Telecommunications public limited company**, London, England

Primary Examiner—Prabhakar G. Deshmukh
Attorney, Agent, or Firm—Nixon & Vanderhye

[**] Term: **14 Years**

[57] CLAIM

[21] Appl. No.: **13,832**

The ornamental design for a video camera for a personal computer, as shown and described.

[22] Filed: **Oct. 4, 1993**

DESCRIPTION

[30] Foreign Application Priority Data

Apr. 2, 1993 [GB] United Kingdom 2030189

[52] U.S. Cl. **D16/202**

[58] Field of Search D16/200-205;
348/14, 15, 373-376; 354/81, 293, 288;
358/909.1, 906; 379/53; H04N 5/225

FIG. 1 is a top, left side and front perspective view of a video camera for a personal computer according to our design;

FIG. 2 is a right side elevational view thereof;

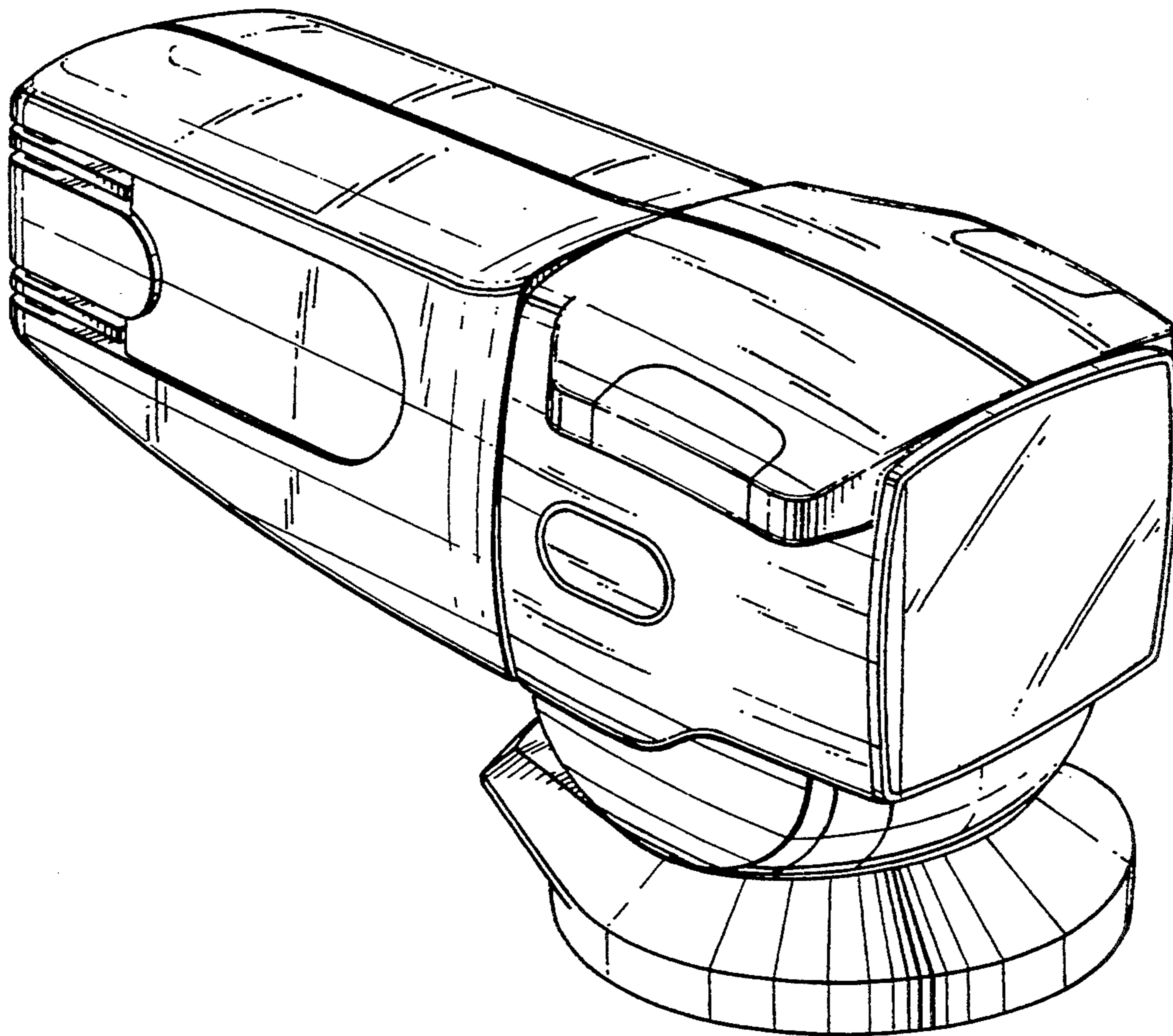
FIG. 3 is a rear elevational view thereof;

FIG. 4 is a bottom plan view thereof;

FIG. 5 is a front elevational view thereof;

FIG. 6 is a top plan view thereof; and,

FIG. 7 is a left side elevational view thereof.



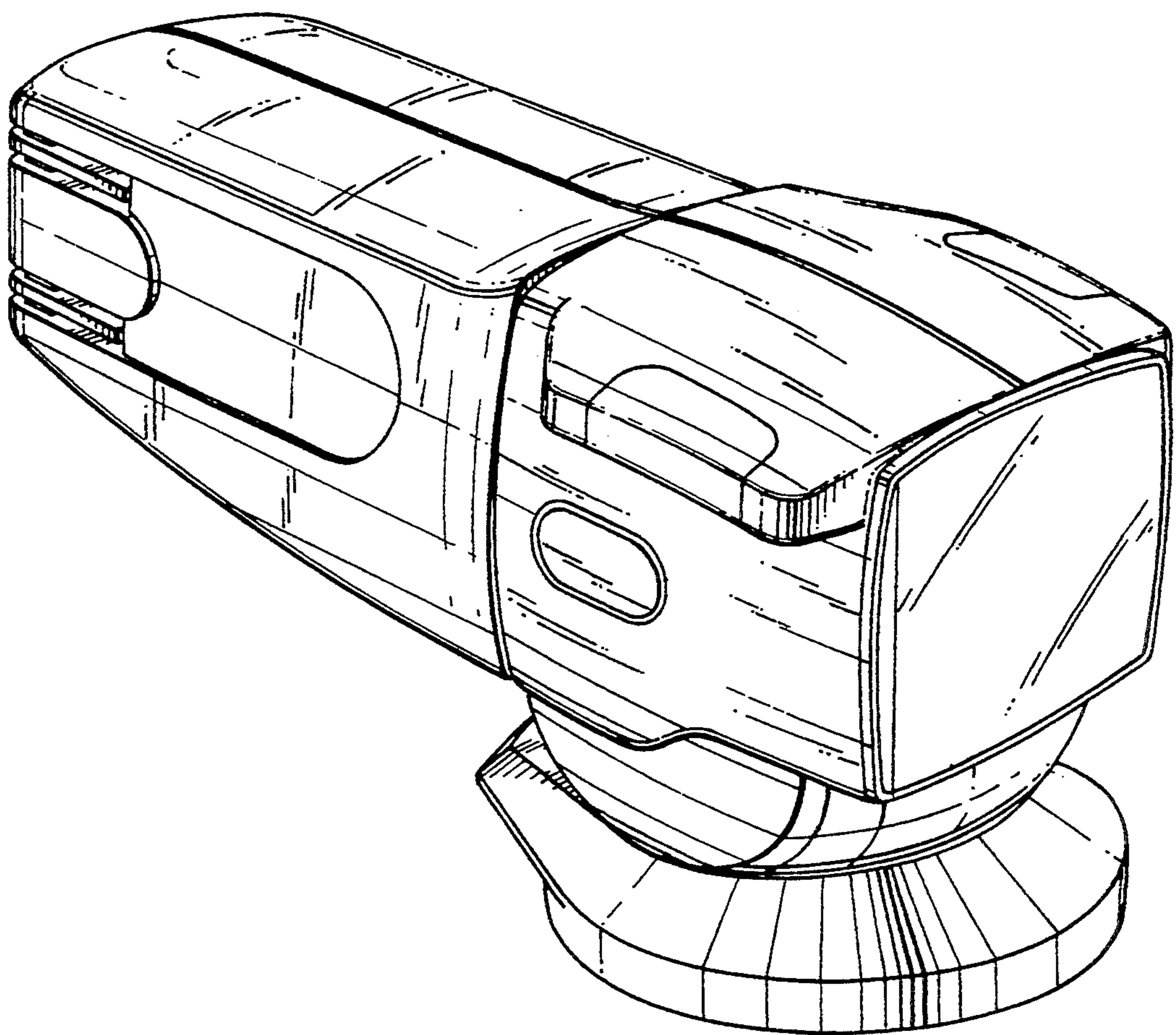


Fig. 1.

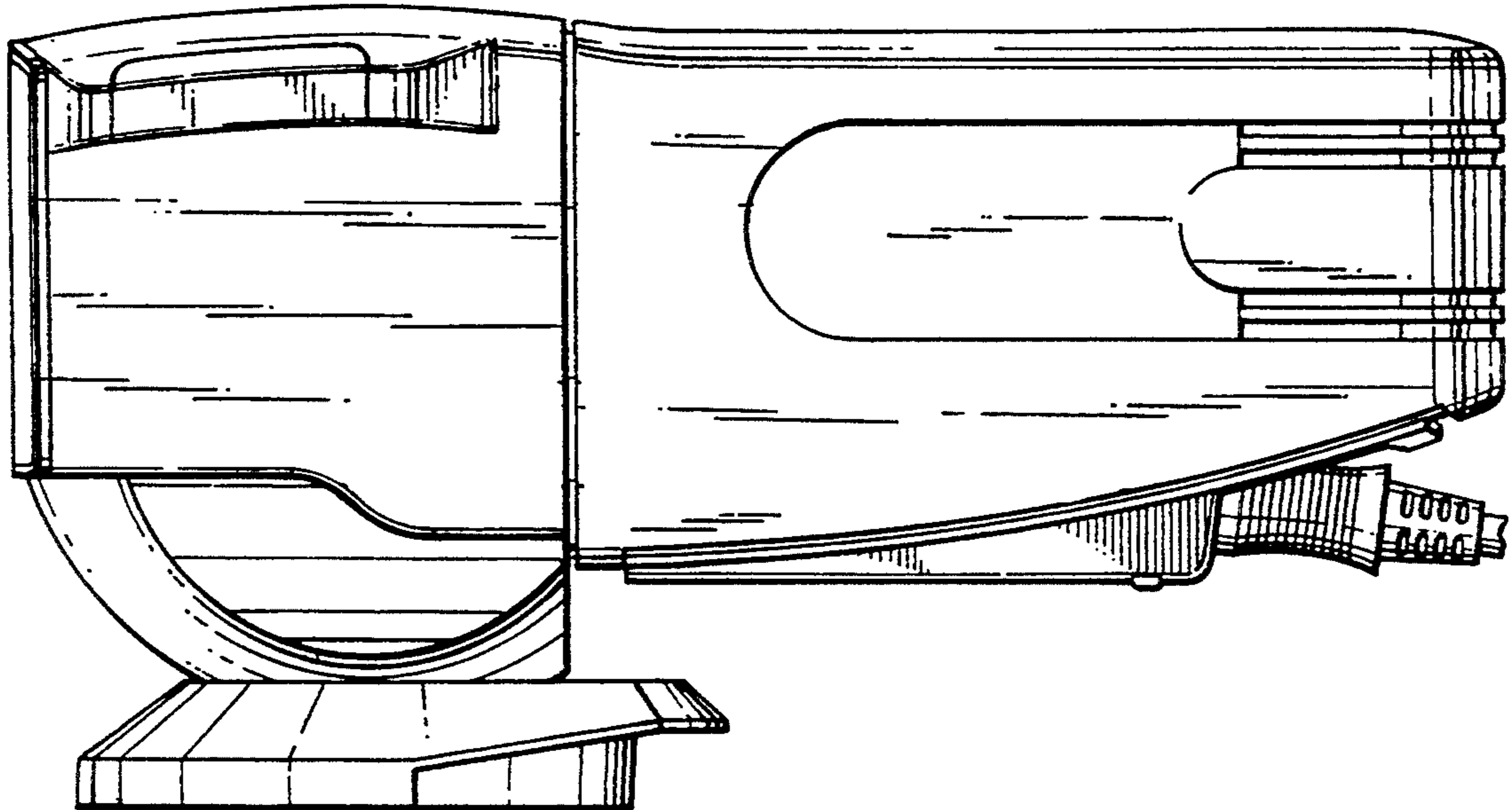


Fig. 2.

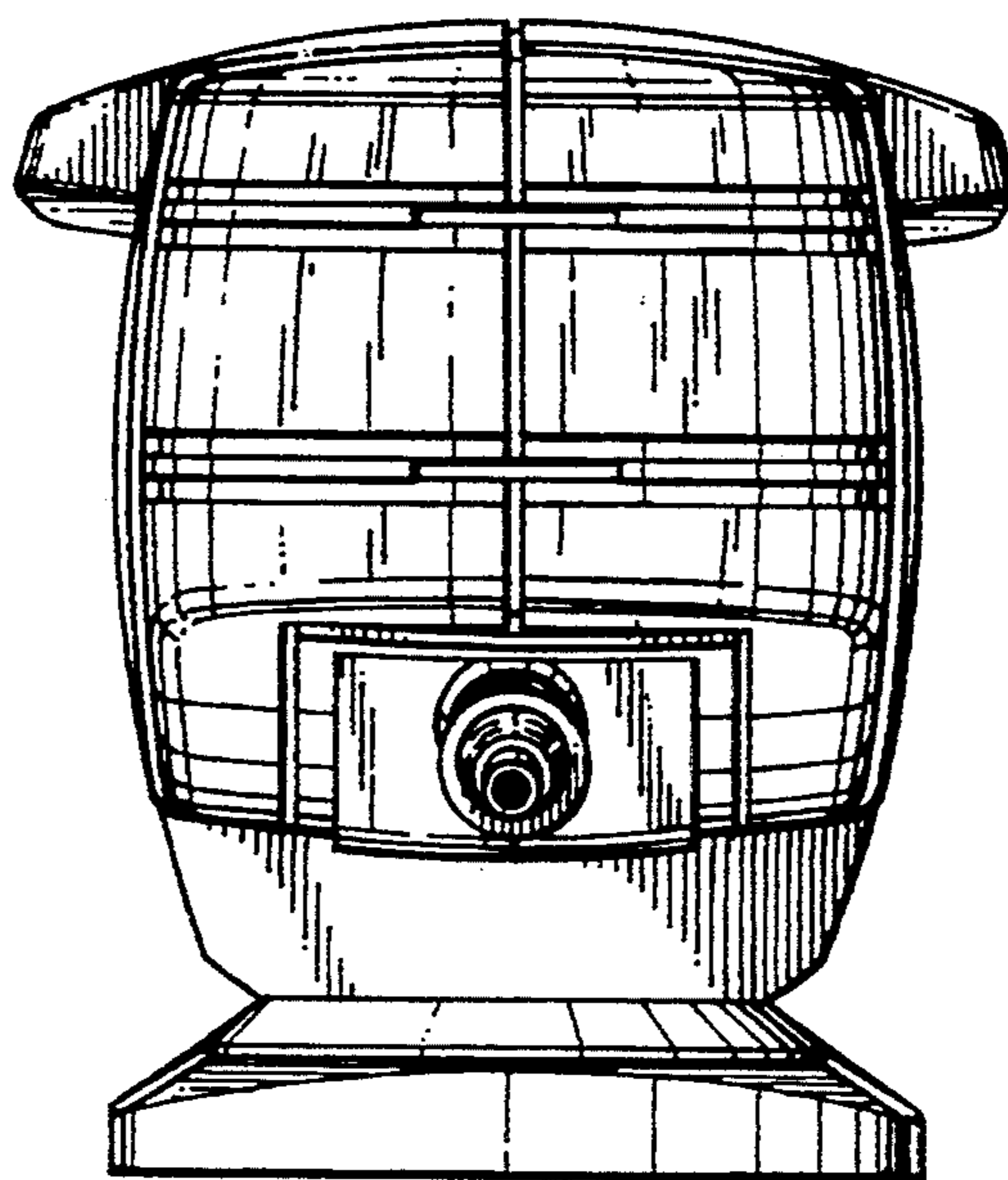


Fig. 3.

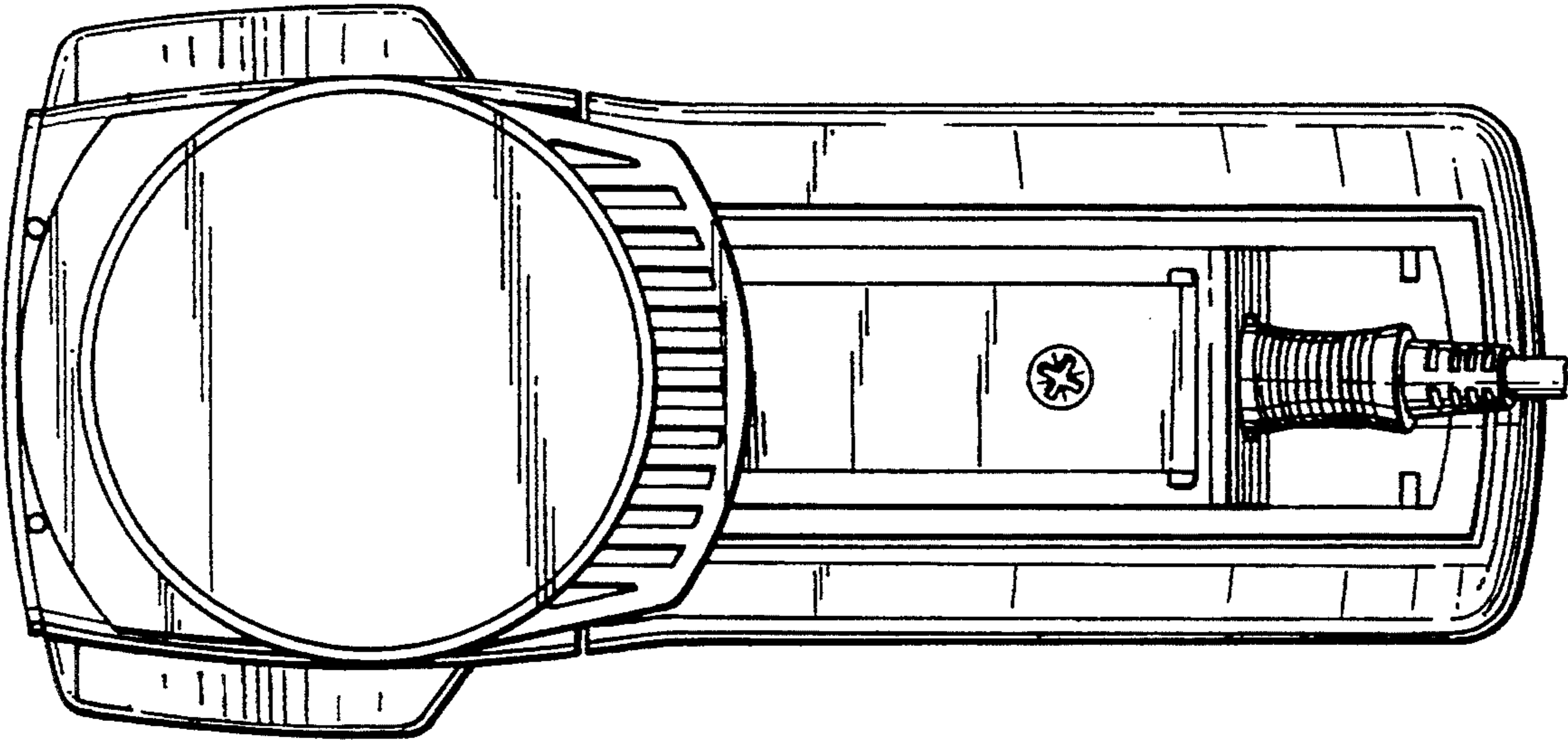


Fig. 4.

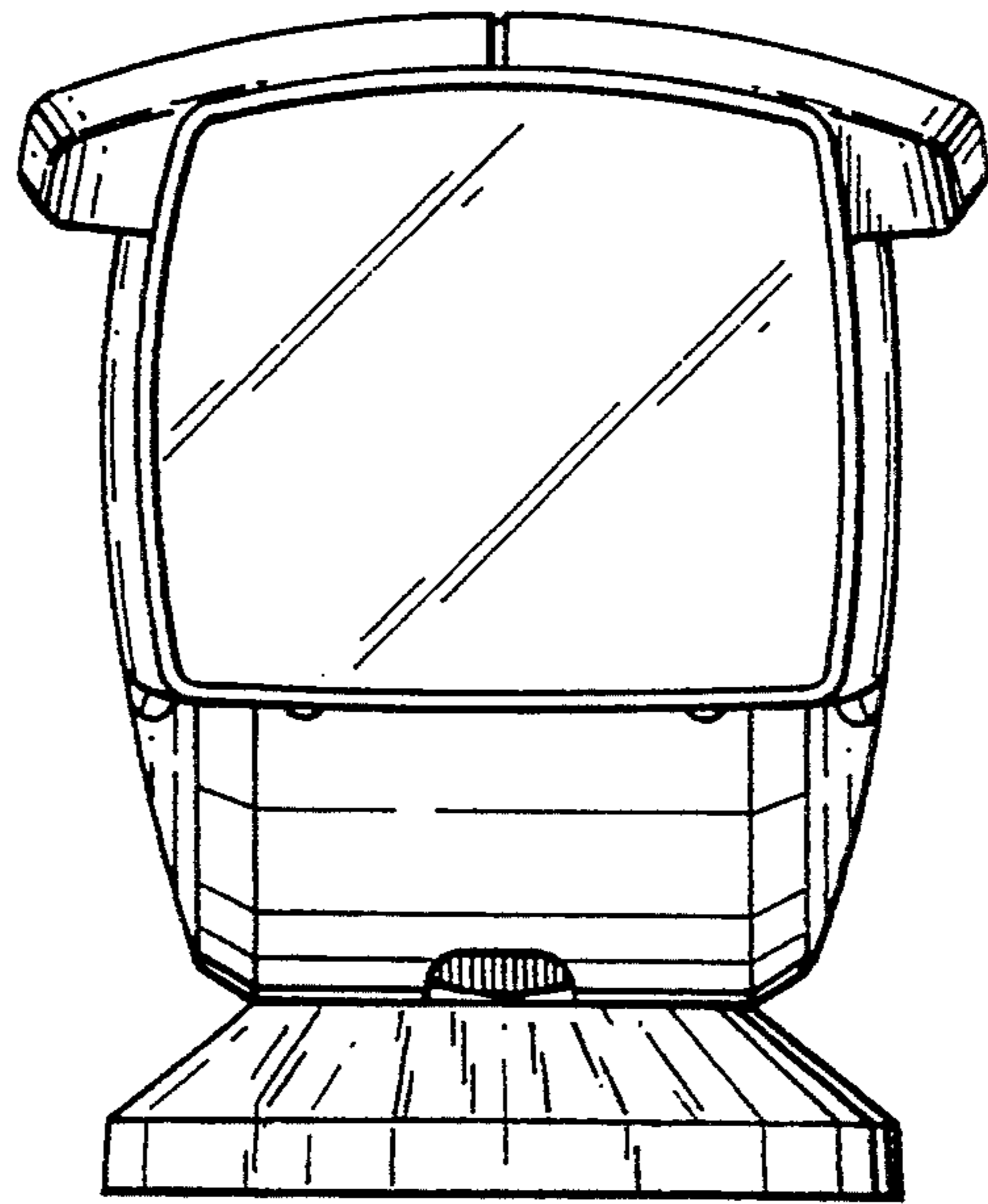


Fig. 5.

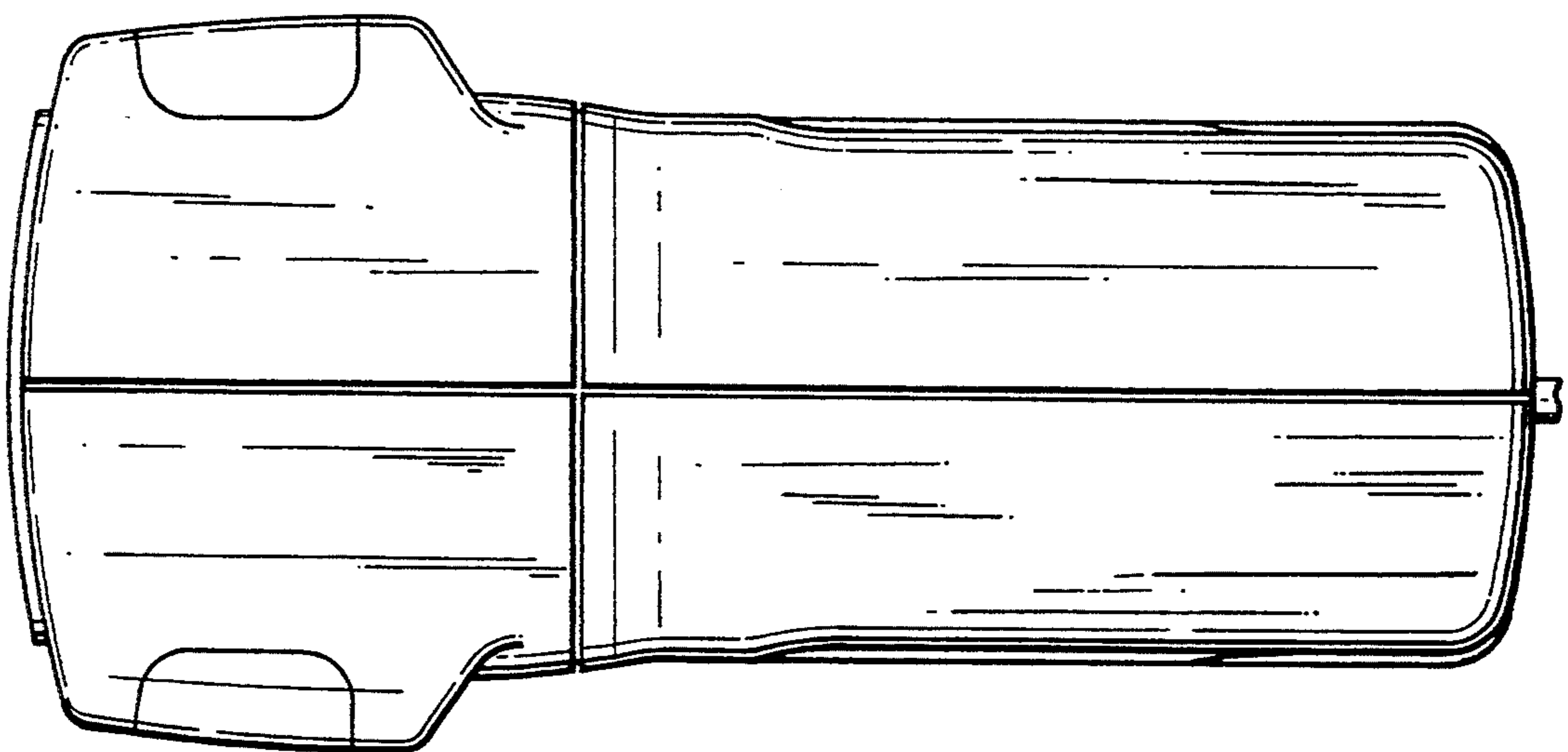


Fig. 6.

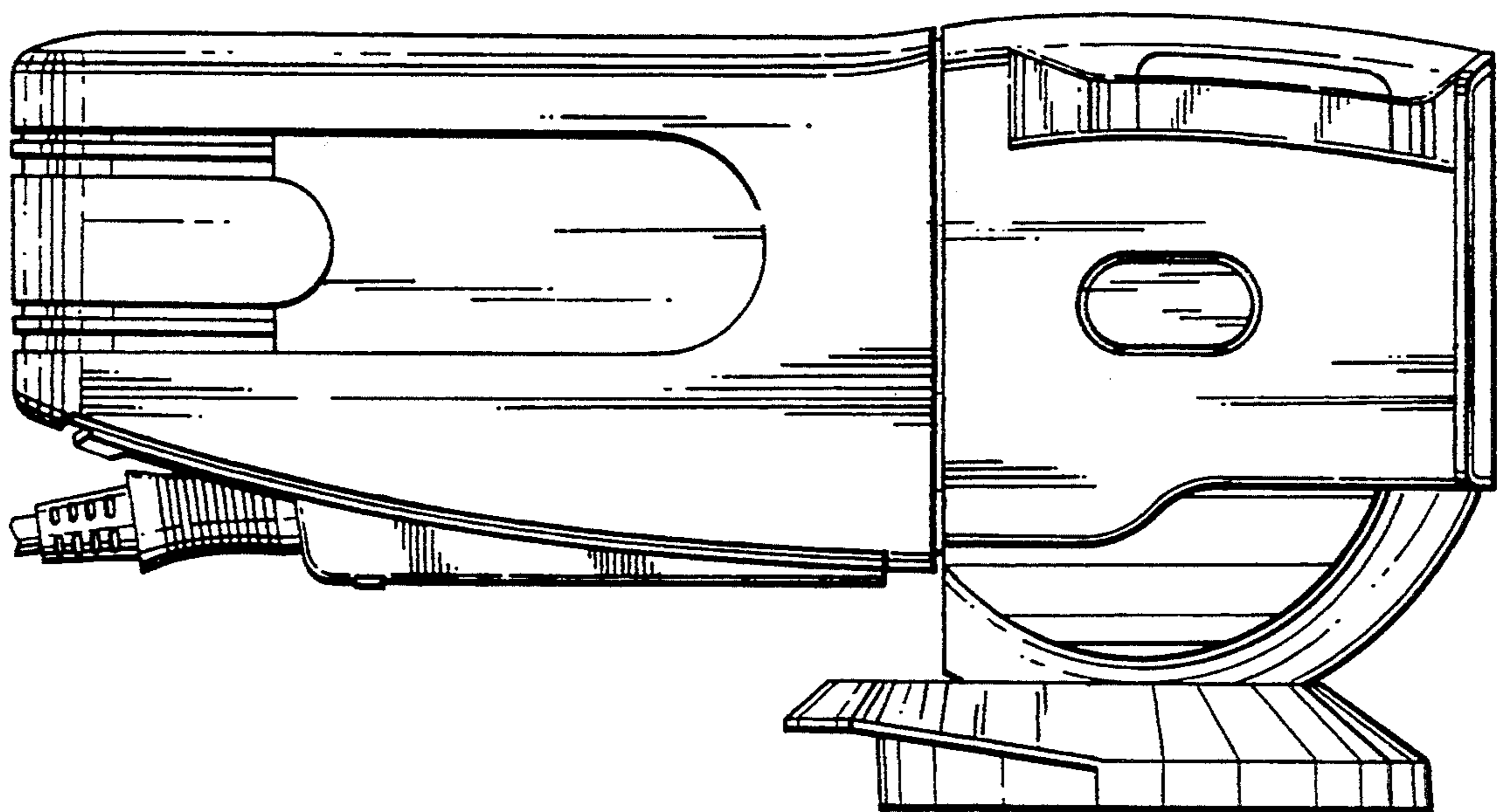


Fig. 7.