



US00D359498S

# United States Patent [19]

[11] Patent Number: **Des. 359,498**

Woodward et al.

[45] Date of Patent: **\*\* Jun. 20, 1995**

[54] **TELESCOPING SPRING RETAINER FOR THE TOOLS OF AGRICULTURAL IMPLEMENTS**

[56] **References Cited**

**U.S. PATENT DOCUMENTS**

2,697,289	12/1954	Standfuss .....	172/705
3,976,144	8/1976	Ralston .....	267/137
4,091,878	5/1978	Steketee .....	172/705
4,368,783	1/1983	Hake et al. ....	172/705
4,660,652	4/1987	Moos et al. ....	172/709
4,700,785	10/1987	Bartusek et al. ....	172/705

[76] Inventors: **John W. Woodward**, 4 Connell St, Toowoomba QLD 4350; **Norman J. Hando**, 92-96 Avalon Rd, Sheldon QLD 4127, both of Australia

*Primary Examiner*—B. J. Bullock

*Attorney, Agent, or Firm*—Dennison, Meserole, Pollack & Scheiner

[\*\*] Term: **14 Years**

[57] **CLAIM**

The ornamental design for a telescoping spring retainer for the tools of agricultural implements, as shown.

[21] Appl. No.: **2,118**

**DESCRIPTION**

[22] Filed: **Dec. 7, 1992**

FIG. 1 is a perspective view from below and to one side; and,

[52] U.S. Cl. .... **D15/28**

FIG. 2 is a perspective view from above and from opposite side.

[58] Field of Search ..... **D15/11, 28, 29; 172/705, 709, 711; 267/137**

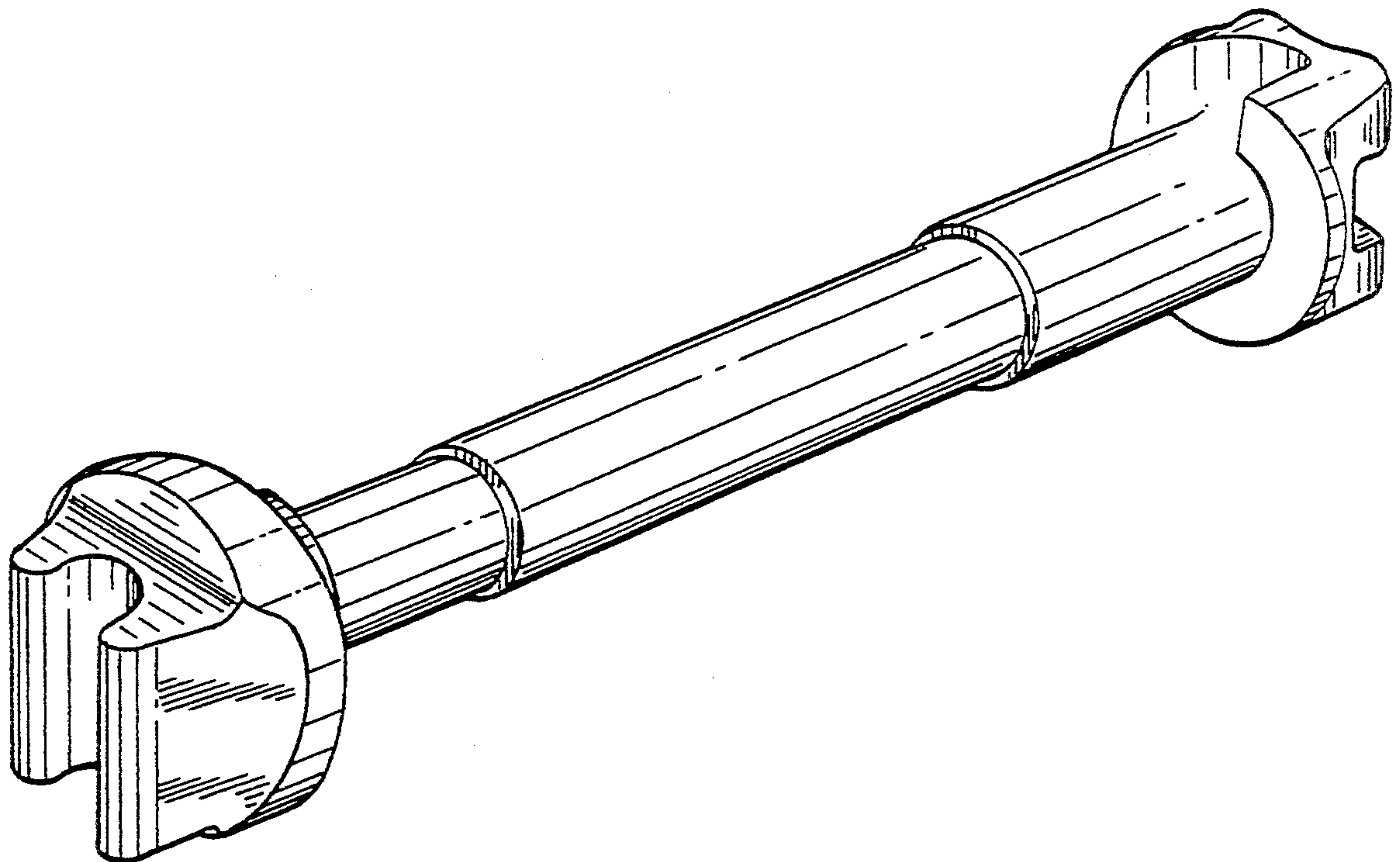


FIGURE 1

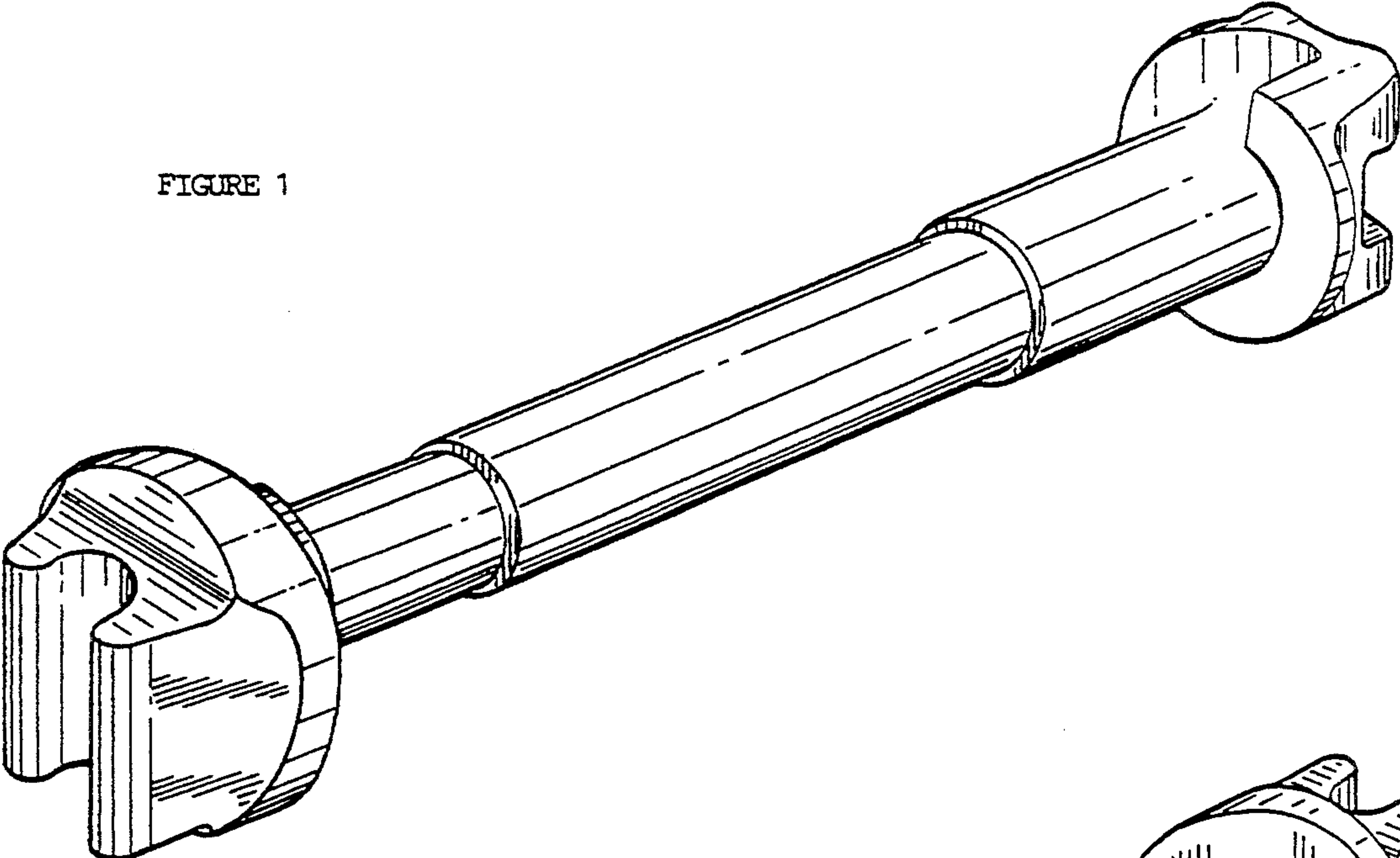


FIGURE 2

