



US00D359497S

United States Patent [19] Rayner

[11] Patent Number: **Des. 359,497**
[45] Date of Patent: **** Jun. 20, 1995**

[54] **FRONT END LOADER**

[75] Inventor: **Alister G. Rayner**, Palm Beach, Australia

[73] Assignee: **Jaden Loaders PTY, LTD**, Queensland, Australia

[**] Term: **14 Years**

[21] Appl. No.: **14,174**

[22] Filed: **Oct. 14, 1993**

[30] **Foreign Application Priority Data**

Aug. 13, 1993 [AU] Australia 2472/93

[52] U.S. Cl. **D15/25**

[58] Field of Search **D15/10, 22-26; 37/421, 442; 180/89.1, 89.12; 414/680, 685, 743**

[56] **References Cited**

U.S. PATENT DOCUMENTS

D. 201,126	5/1965	Kromer	D15/25
D. 205,485	8/1966	Juhl et al.	D15/25
D. 217,661	5/1970	McCawley	D15/25
D. 240,757	7/1976	Henderson et al.	D15/25
D. 272,825	2/1984	Cochran et al.	D15/23
D. 294,032	2/1988	Whiffin	D15/25
D. 322,792	12/1991	Park	D15/25
3,850,473	11/1974	Huber	180/89.1
4,705,449	11/1987	Christianson et al.	414/685
5,171,124	12/1992	Foster	414/685

FOREIGN PATENT DOCUMENTS

90646	3/1985	Australia	.
91592	3/1985	Australia	.
105645	2/1989	Australia	.
586799	7/1989	Australia	.
597309	3/1990	Australia	.
84/02153	6/1984	WIPO	.

OTHER PUBLICATIONS

Jaden Mini Loaders, published in Australia, 1990.
Forbes Engineering "Jobmaster 600", published in Australia circa 1987.
JGL Industries "Little John" front end loaders, published in United States prior to Oct. 1992.

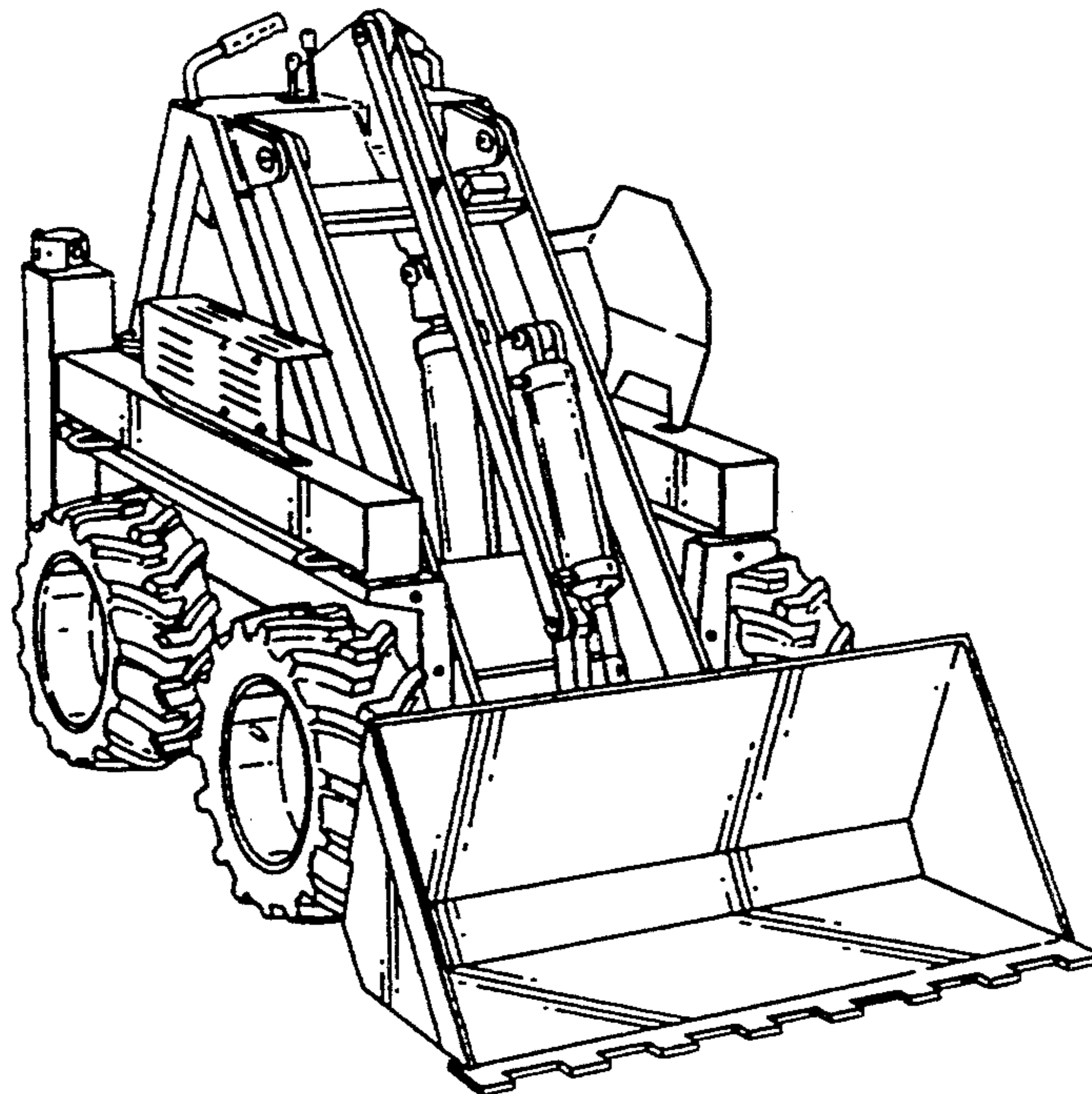
Primary Examiner—Terry A. Wallace
Assistant Examiner—Sandra Morris
Attorney, Agent, or Firm—Joseph S. Iandiorio; Kirk Teska; Iandiorio & Teska

[57] **CLAIM**

The ornamental design for a front end loader, as shown and described.

DESCRIPTION

FIG. 1 is a front perspective view of a front end loader, showing my new design;
FIG. 2 is a right side perspective view thereof;
FIG. 3 is a rear perspective view thereof;
FIG. 4 is a bottom plan view thereof; and,
FIG. 5 is a left side perspective view thereof.



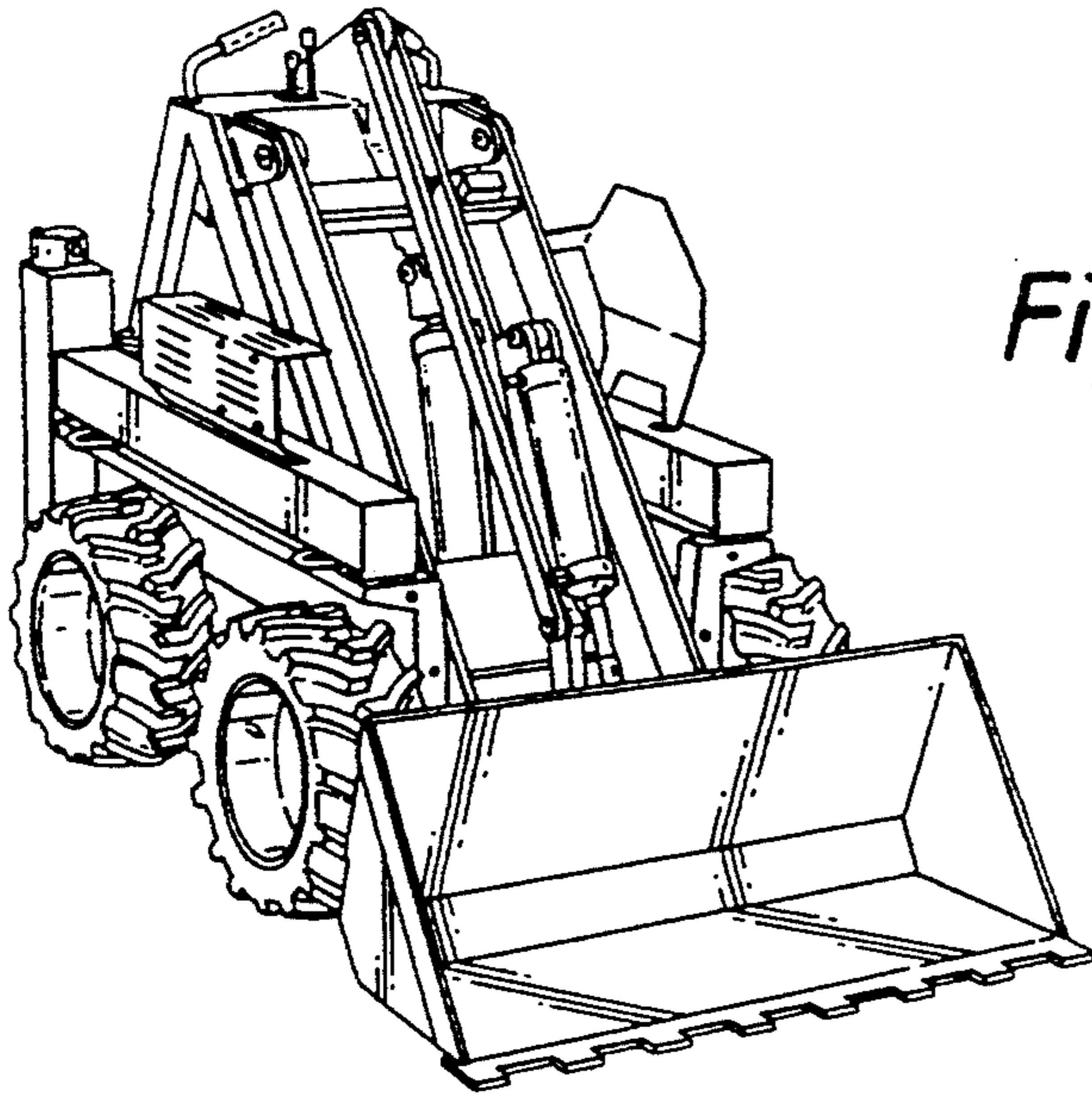


Fig. 1.

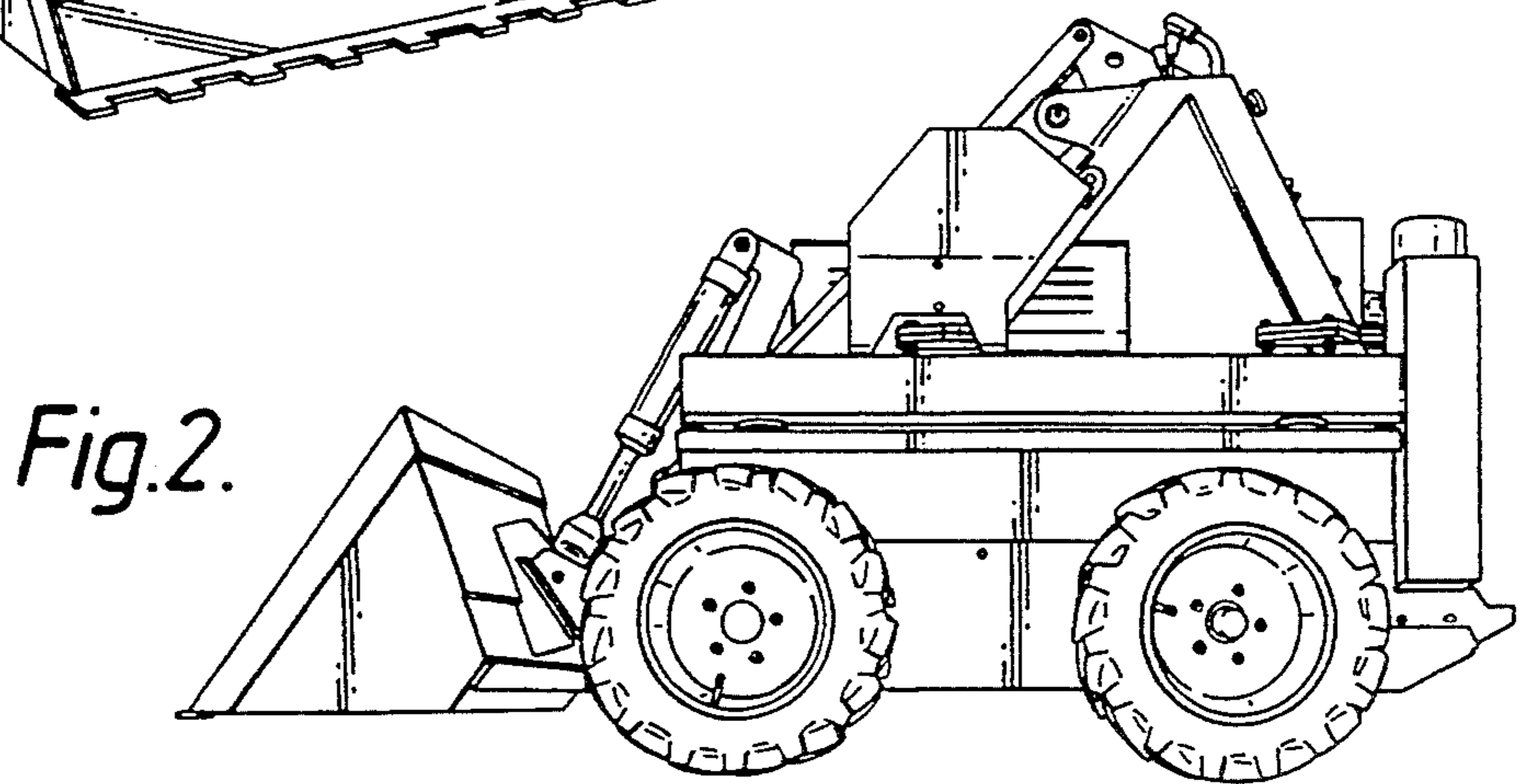


Fig. 2.

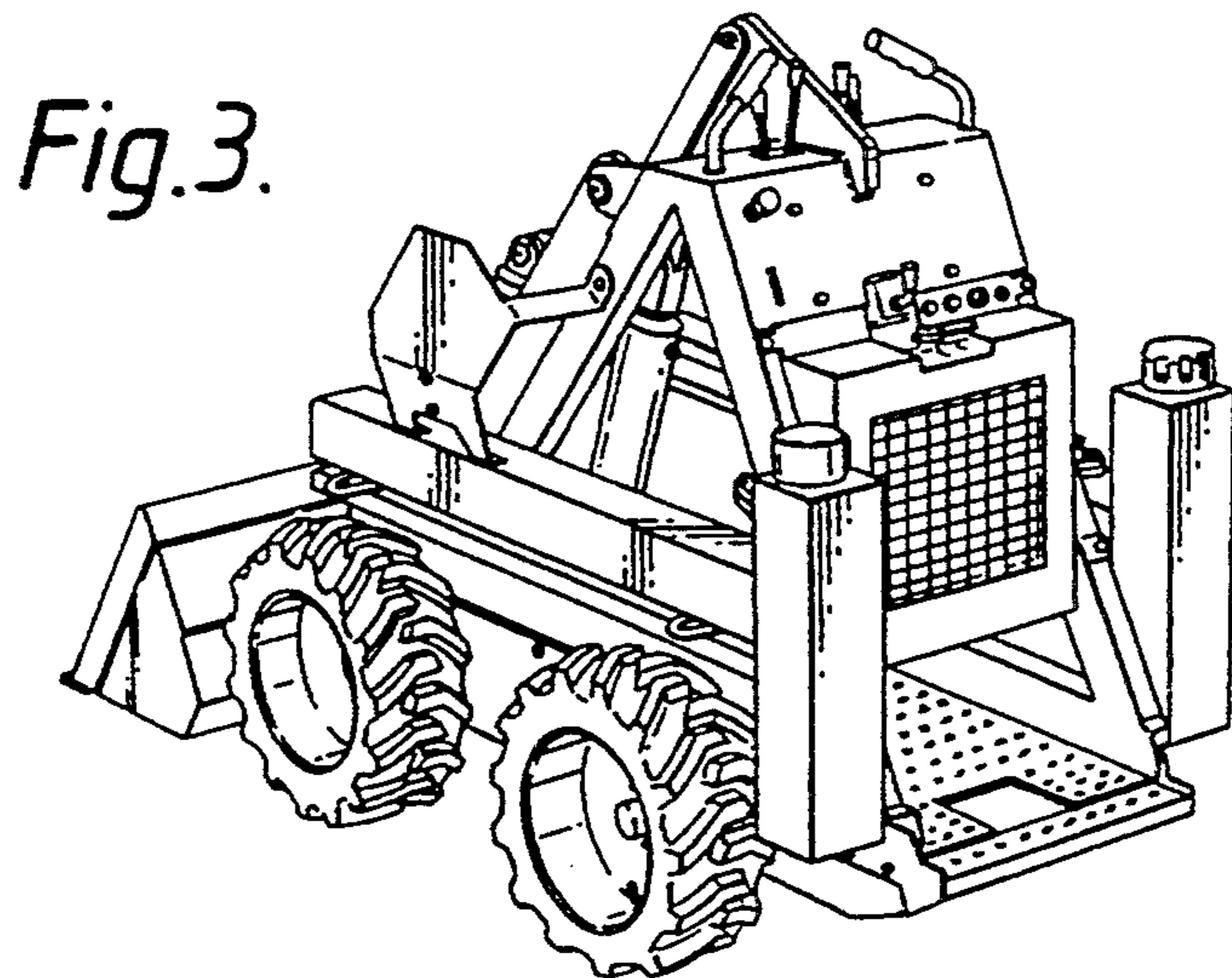


Fig. 3.

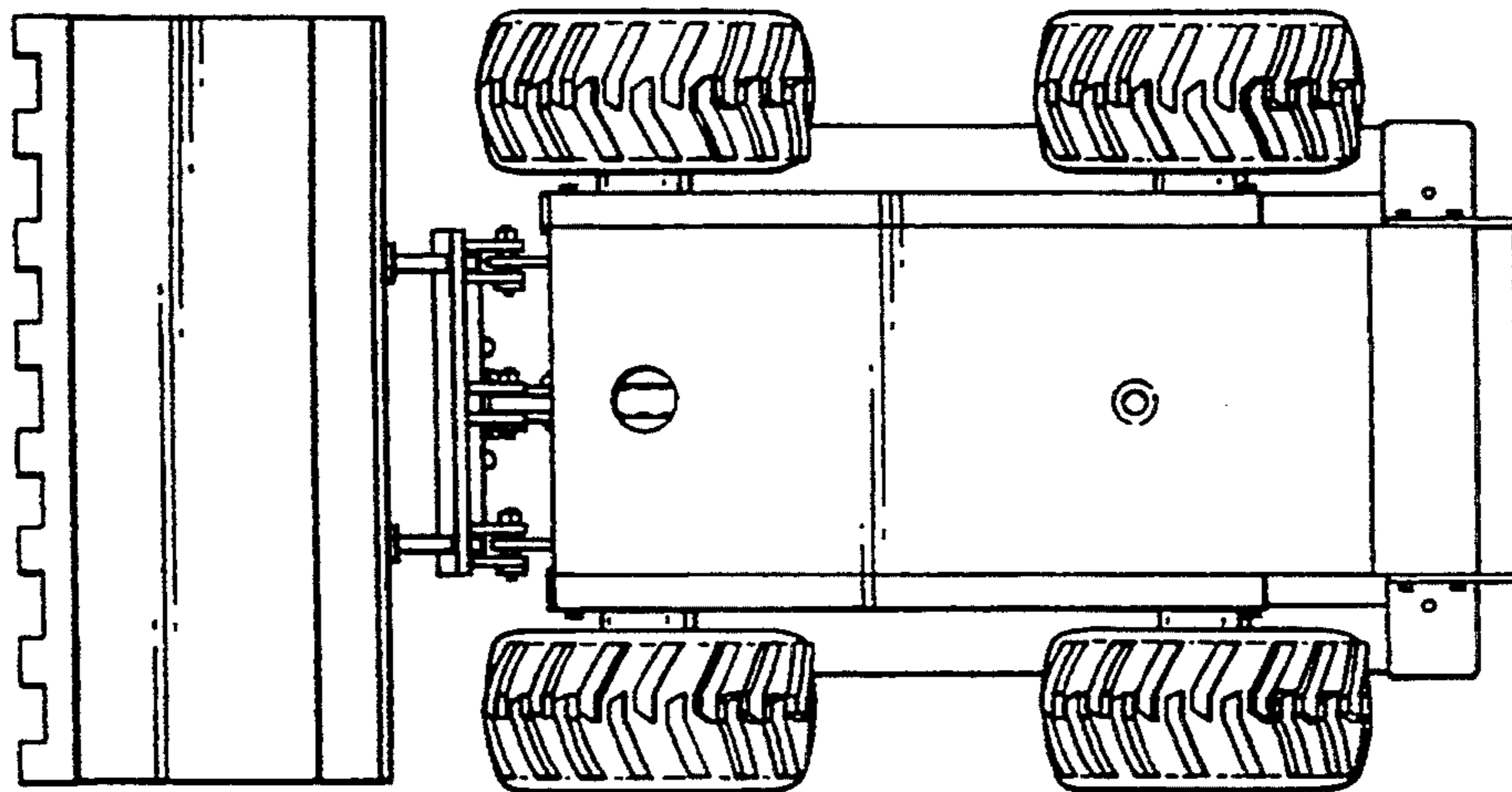


Fig. 4.

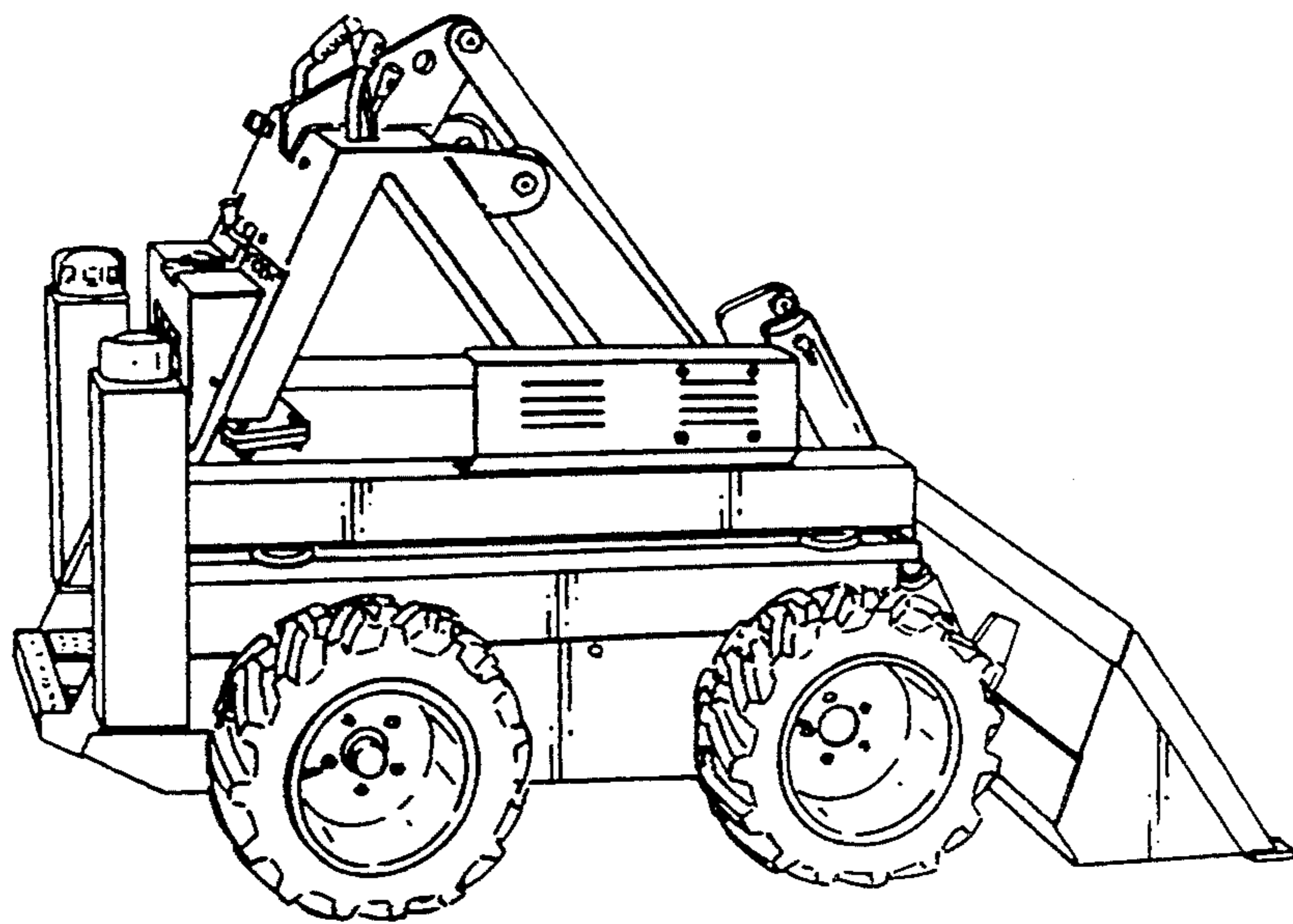


Fig. 5.