



US00D359491S

United States Patent [19]

[11] Patent Number: **Des. 359,491**

Iseli

[45] Date of Patent: **** Jun. 20, 1995**

[54] TELEPHONE

[75] Inventor: **Martin Iseli**, Bern, Switzerland

[73] Assignee: **Bang & Olufsen Holding A/S**, Struer, Denmark

[**] Term: **14 Years**

[21] Appl. No.: **21,478**

[22] Filed: **Apr. 18, 1994**

[30] Foreign Application Priority Data

Oct. 21, 1993 [DK] Denmark MA 0942 1993

[52] U.S. Cl. **D14/151**

[58] Field of Search D14/140-142, D14/148-151, 240, 241, 248, 251, 253, 138; 379/420, 368, 428, 433, 434, 436, 454, 432, 419, 421, 440; 348/14

[56] References Cited

U.S. PATENT DOCUMENTS

- D. 234,489 4/1975 Tyson et al. D14/148
- D. 239,393 3/1976 Deland D14/218
- D. 263,045 2/1982 Janda et al. D14/149
- D. 291,567 8/1987 Read et al. D14/149
- D. 299,230 1/1989 Gagnon D14/150

- D. 305,537 1/1990 Gilmore et al. D14/142 X
- D. 305,538 1/1990 Gilmore et al. D14/142 X
- D. 348,062 6/1994 Iseli et al. D14/149
- D. 349,700 8/1994 Iseli et al. D14/148 X
- 4,930,157 5/1990 Citron et al. D14/150 X
- 5,170,427 12/1992 Guichard et al. 348/14

OTHER PUBLICATIONS

The Shelburne Co. Holiday '83 Catalog, Electra Clock Radio Phone, p. 15.

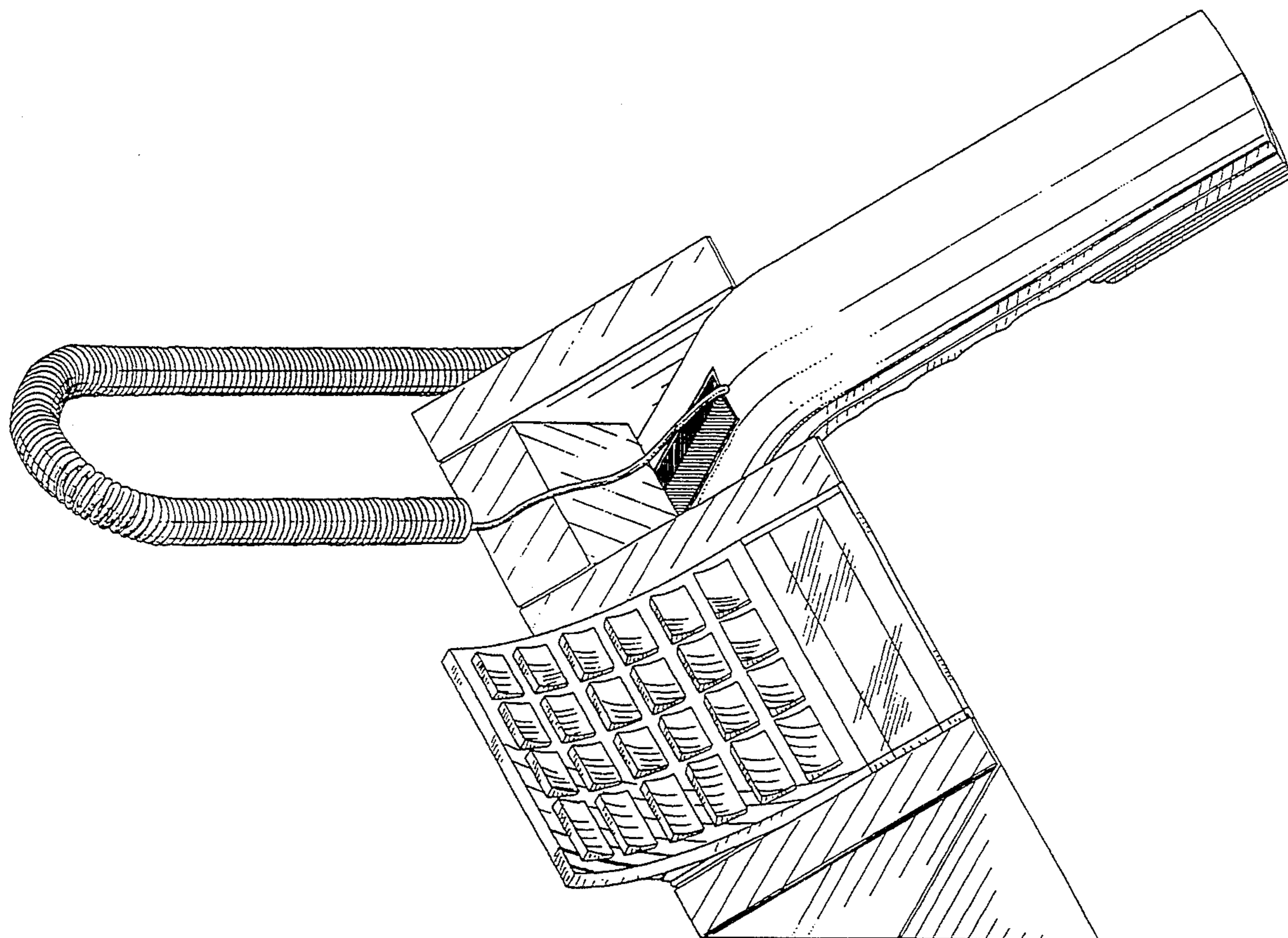
Primary Examiner—Jeffrey Asch
Attorney, Agent, or Firm—Darby & Darby

[57] CLAIM

The ornamental design for a telephone, as shown and described.

DESCRIPTION

FIG. 1 is a top perspective view of the telephone showing my new design;
 FIG. 2 is a left side elevational view thereof;
 FIG. 3 is a front elevational view thereof;
 FIG. 4 is a right side elevational view thereof;
 FIG. 5 is a rear elevational view thereof;
 FIG. 6 is a top plan view thereof; and,
 FIG. 7 is a bottom plan view thereof.



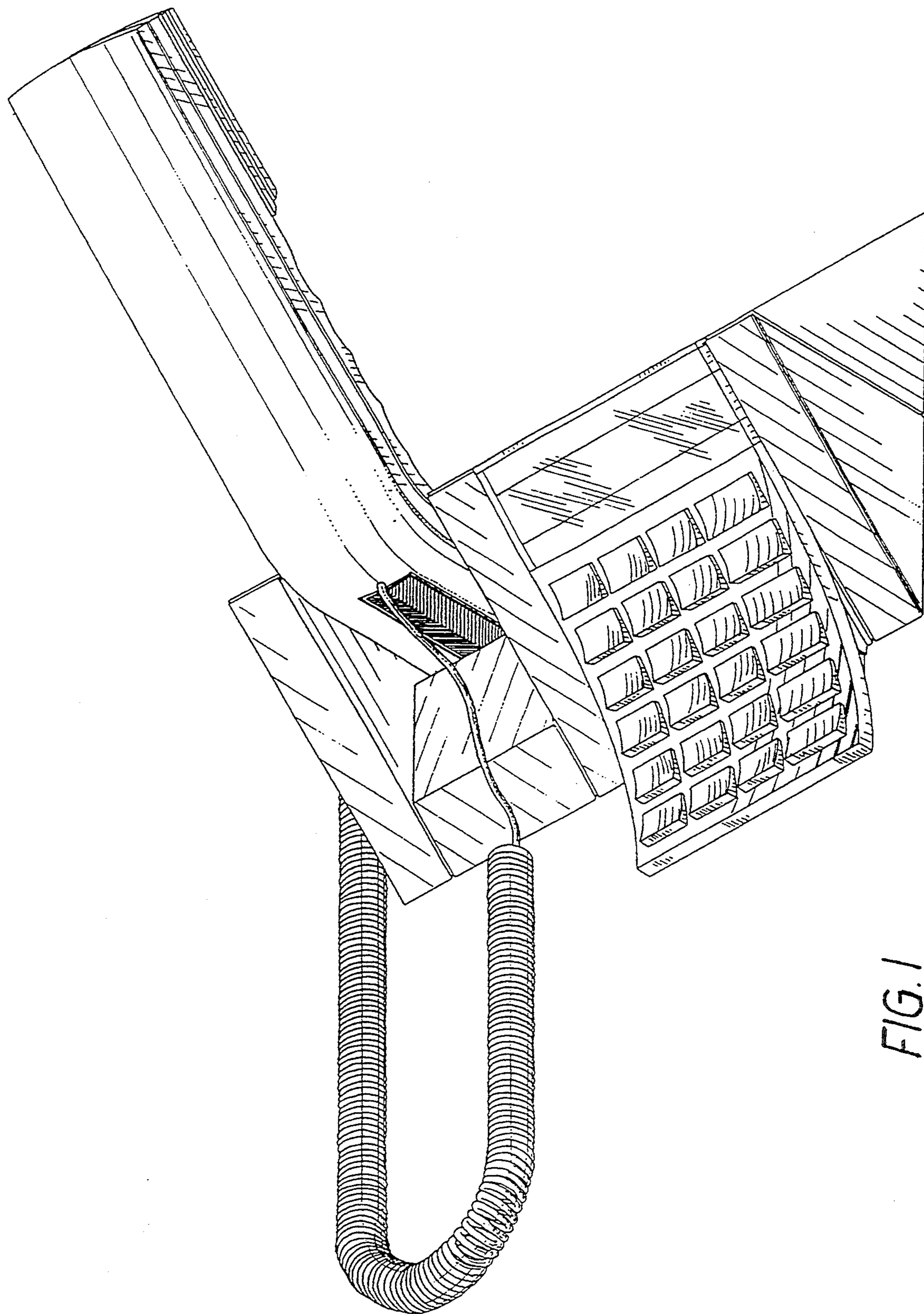


FIG. 1

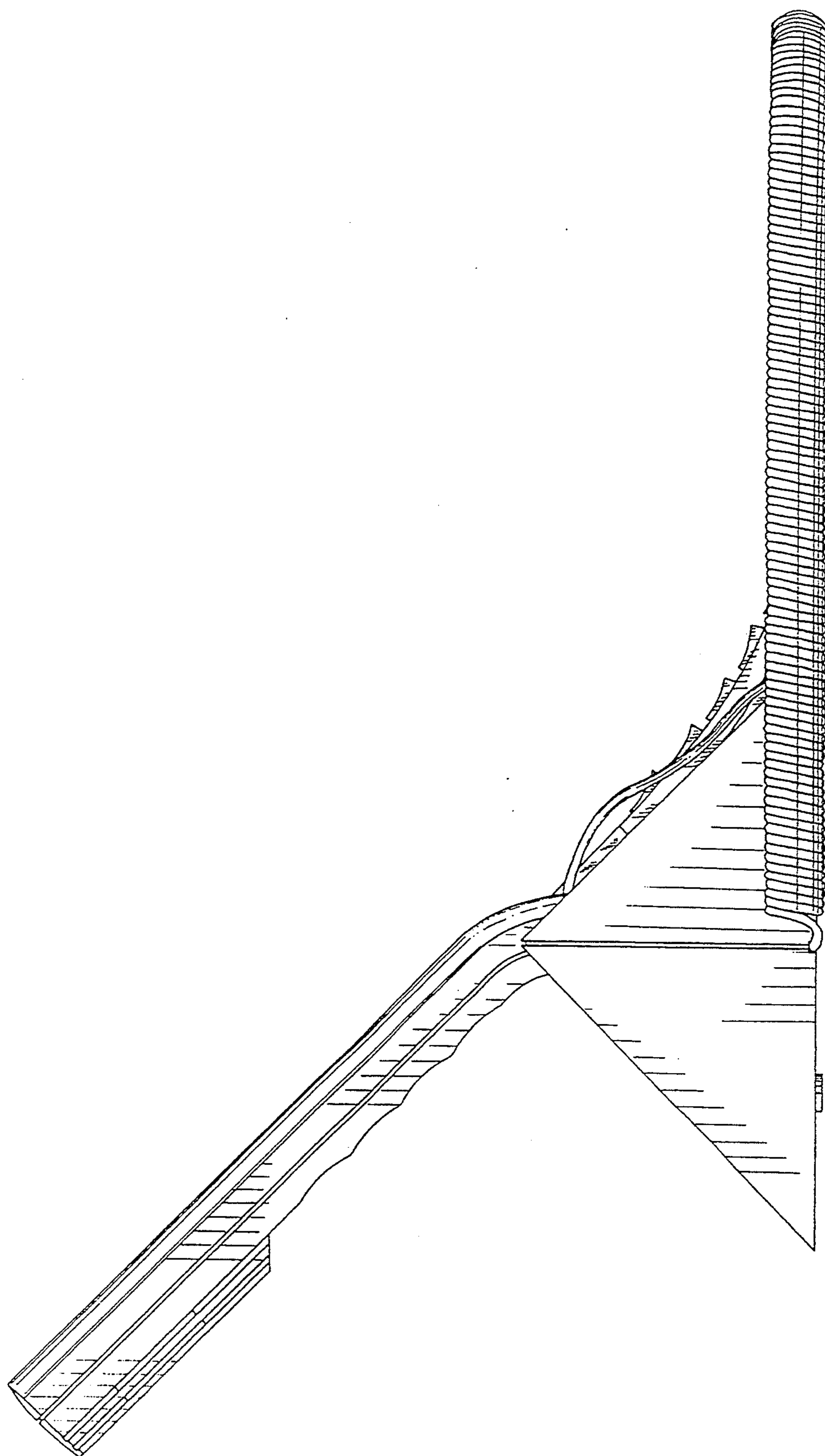


FIG. 2

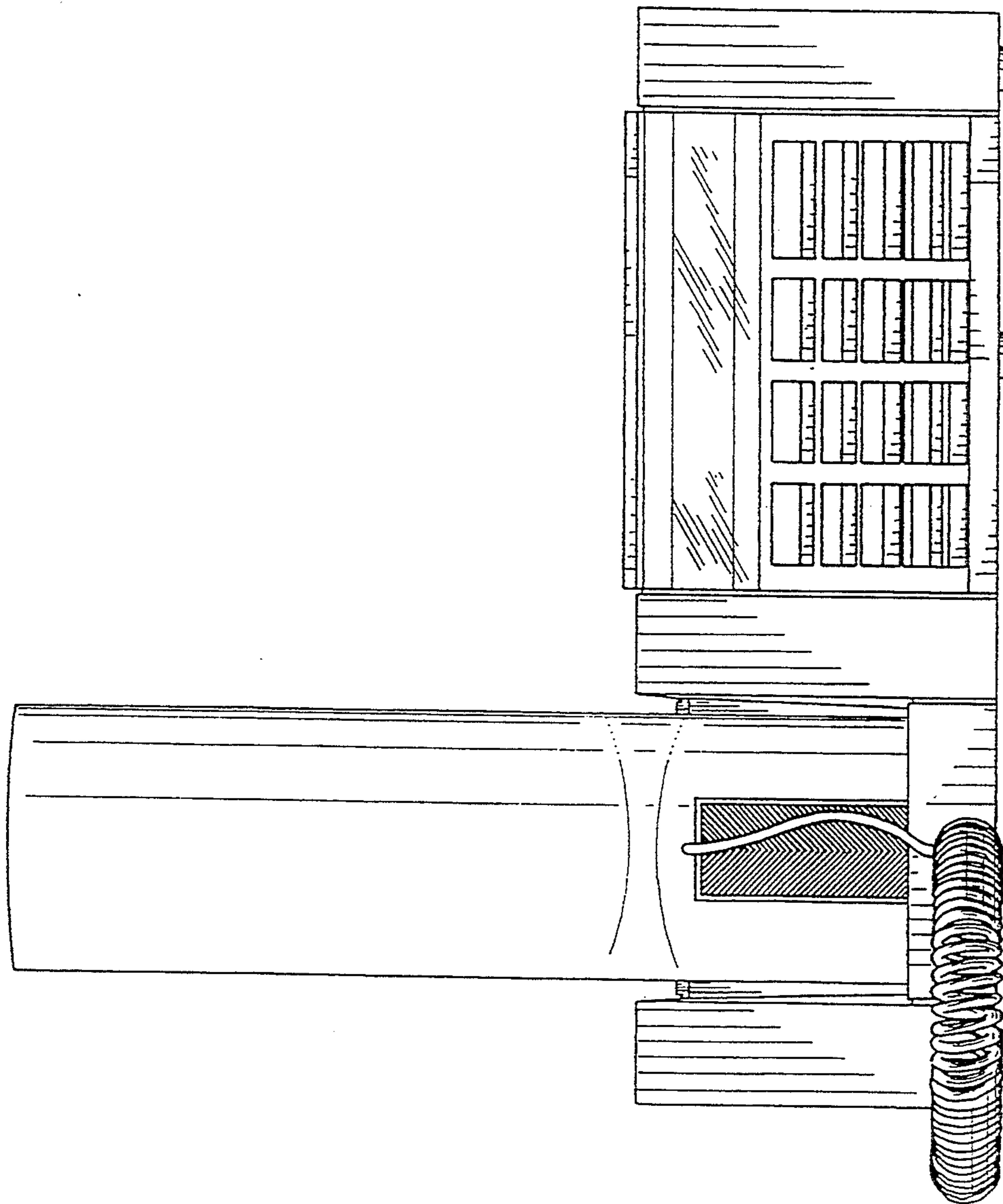


FIG. 3

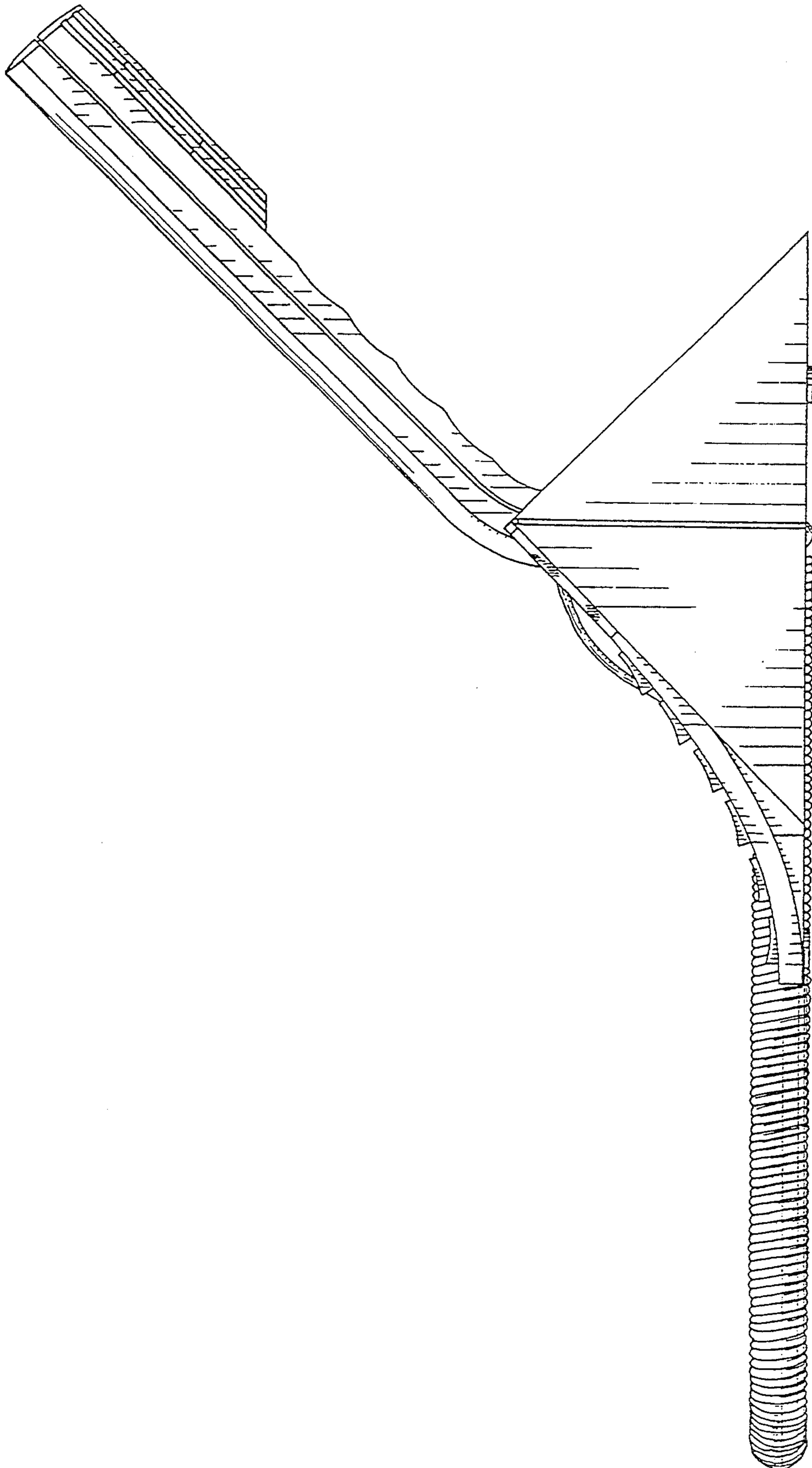


FIG. 4

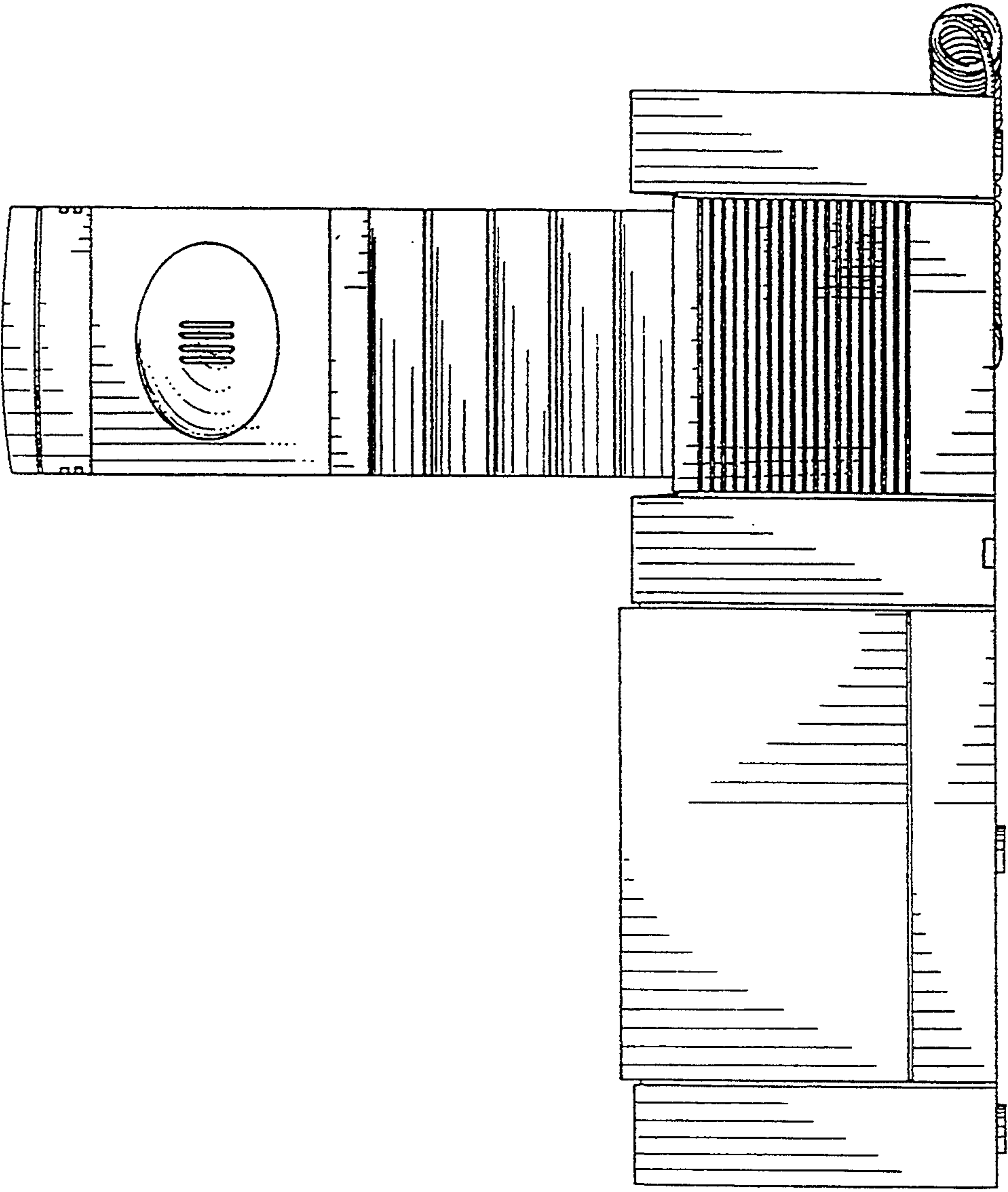


FIG 5

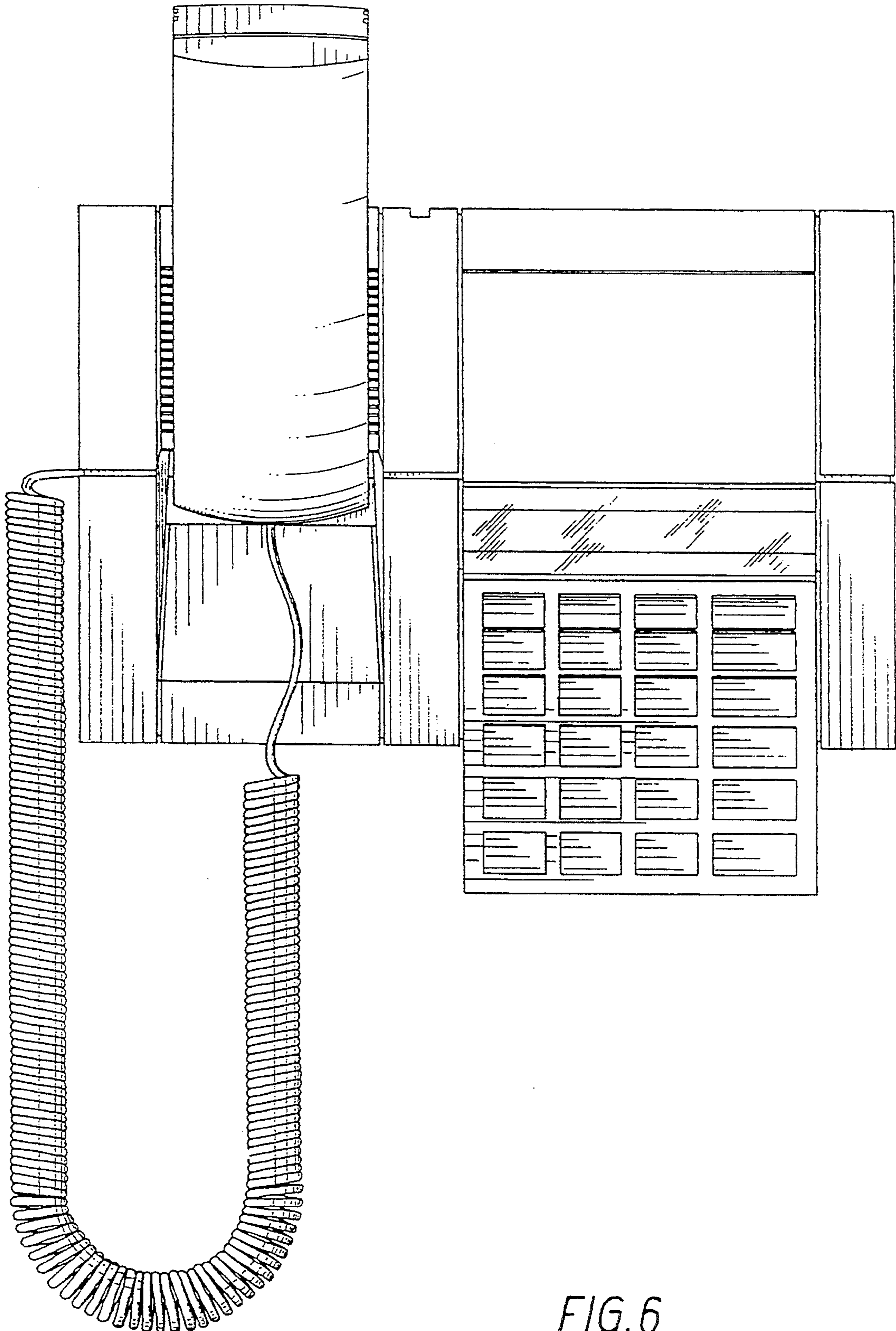


FIG. 6

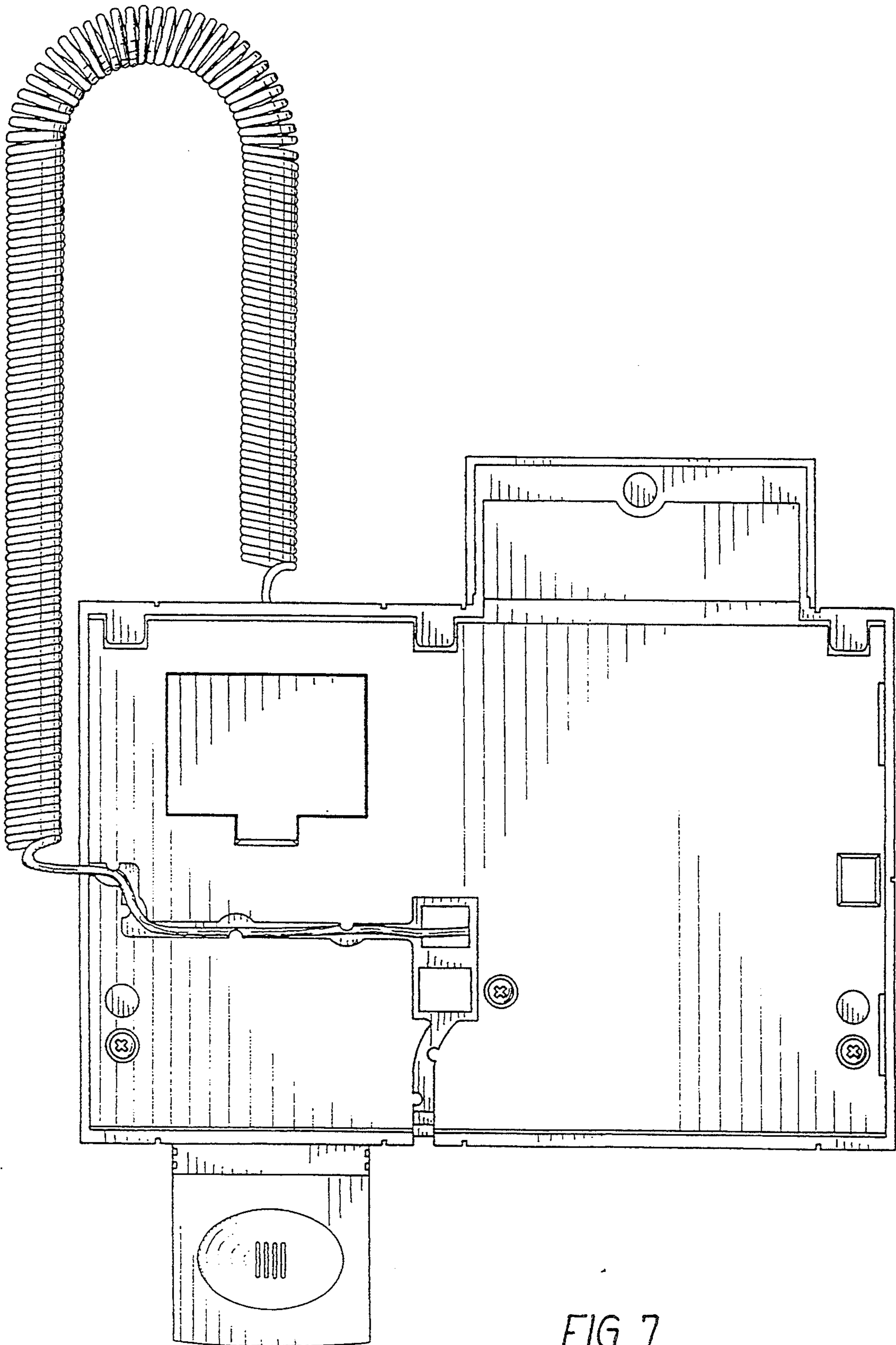


FIG. 7