



US00D359490S

United States Patent [19]

[11] Patent Number: Des. 359,490

Arakaki et al.

[45] Date of Patent: ** Jun. 20, 1995

[54] TELEPHONE TERMINAL CONSOLE

[75] Inventors: **James S. Arakaki**, Auburn; **Jeffrey K. Sasaki**, San Francisco, both of Calif.

[73] Assignee: **Verifone, Inc.**, Redwood City, Calif.

[**] Term: **14 Years**

[21] Appl. No.: **21,186**

[22] Filed: **Apr. 12, 1994**

[52] U.S. Cl. **D14/146; D14/151**

[58] Field of Search **D14/101, 130, 140, 240, D14/241, 141, 142, 146, 149-151, 106; 379/91, 420, 419, 428, 440, 434-436**

[56] References Cited

U.S. PATENT DOCUMENTS

D. 273,863	5/1984	Goodin et al.	D14/151
D. 290,602	6/1987	Offredi	D14/151
D. 304,717	11/1989	Barker et al.	D14/151 X
D. 316,024	4/1991	Sharbaugh	D14/241 X
D. 318,469	7/1991	Joffe et al.	D14/146
D. 319,235	8/1991	Sato	D14/151
D. 348,265	6/1994	Nagele	D14/151
D. 348,440	7/1994	Nair et al.	D14/146 X
4,587,379	5/1986	Masuda	D14/146 X
4,860,336	8/1989	D'Avello et al.	379/91 X

OTHER PUBLICATIONS

Transfone Installation Guide, ©1988.

Primary Examiner—Jeffrey Asch
Attorney, Agent, or Firm—Lowell C. Bergstedt

[57] CLAIM

The ornamental design for a telephone terminal console, as shown and described.

DESCRIPTION

FIG. 1 is a perspective view of a telephone terminal console showing our new design;

FIG. 2 is a top plan view of the telephone terminal console shown in FIG. 1;

FIG. 3 is a top plan view of the telephone terminal console shown in FIG. 1, and showing a keypad cover panel in its open position;

FIG. 4 is a right side elevational view of the telephone terminal console shown in FIG. 1;

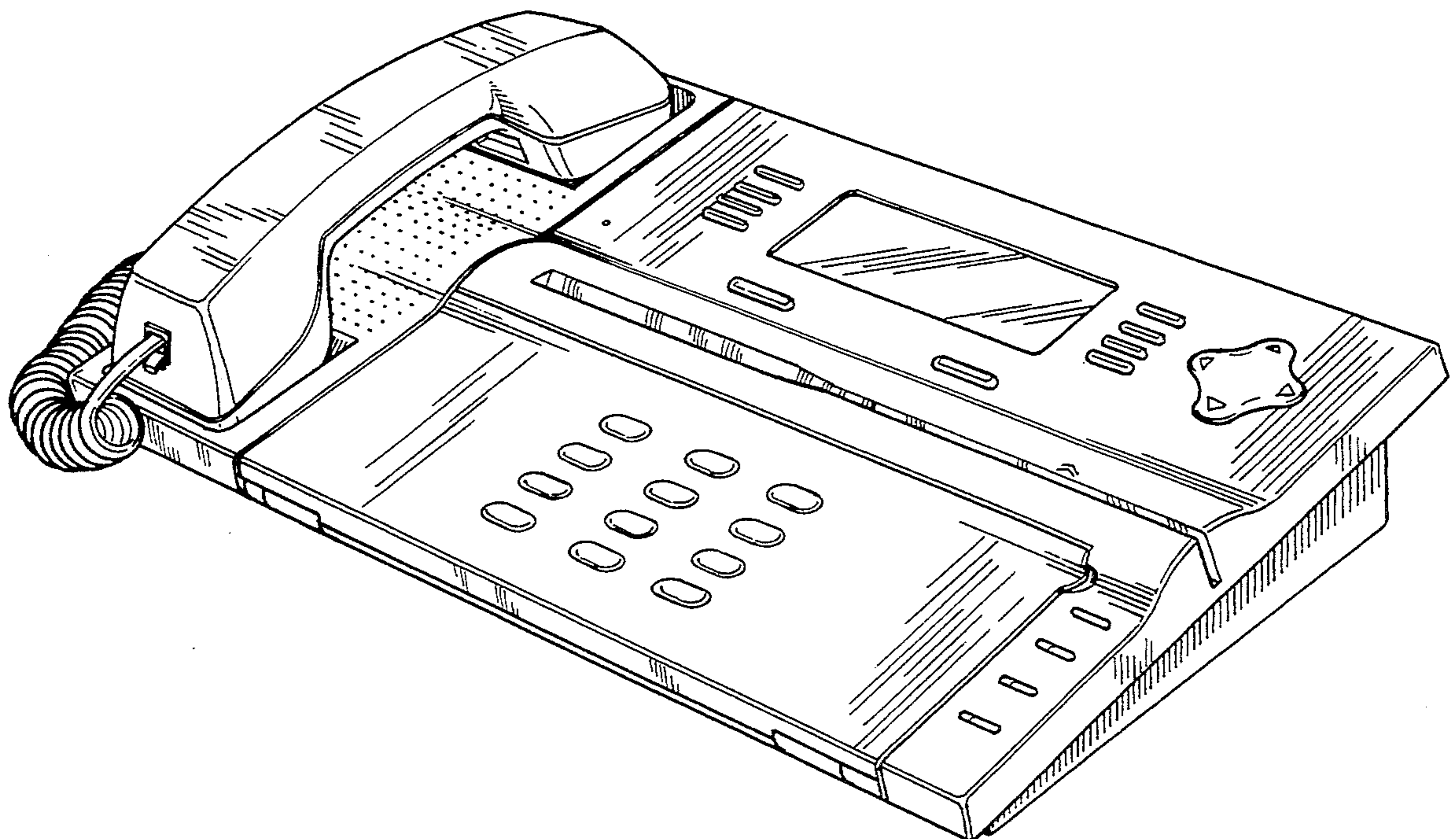
FIG. 5 is a left side elevational view of the telephone terminal console shown in FIG. 1; and,

FIG. 6 is a front elevational view of the telephone terminal console shown in FIG. 1.

The rear side of the telephone terminal console is unornamented.

The broken lines shown in FIG. 3 are for illustrative purposes only and form no part of the claimed design.

The telephone cord has been broken away in FIGS. 2, 3 and 6 for convenience of illustration.



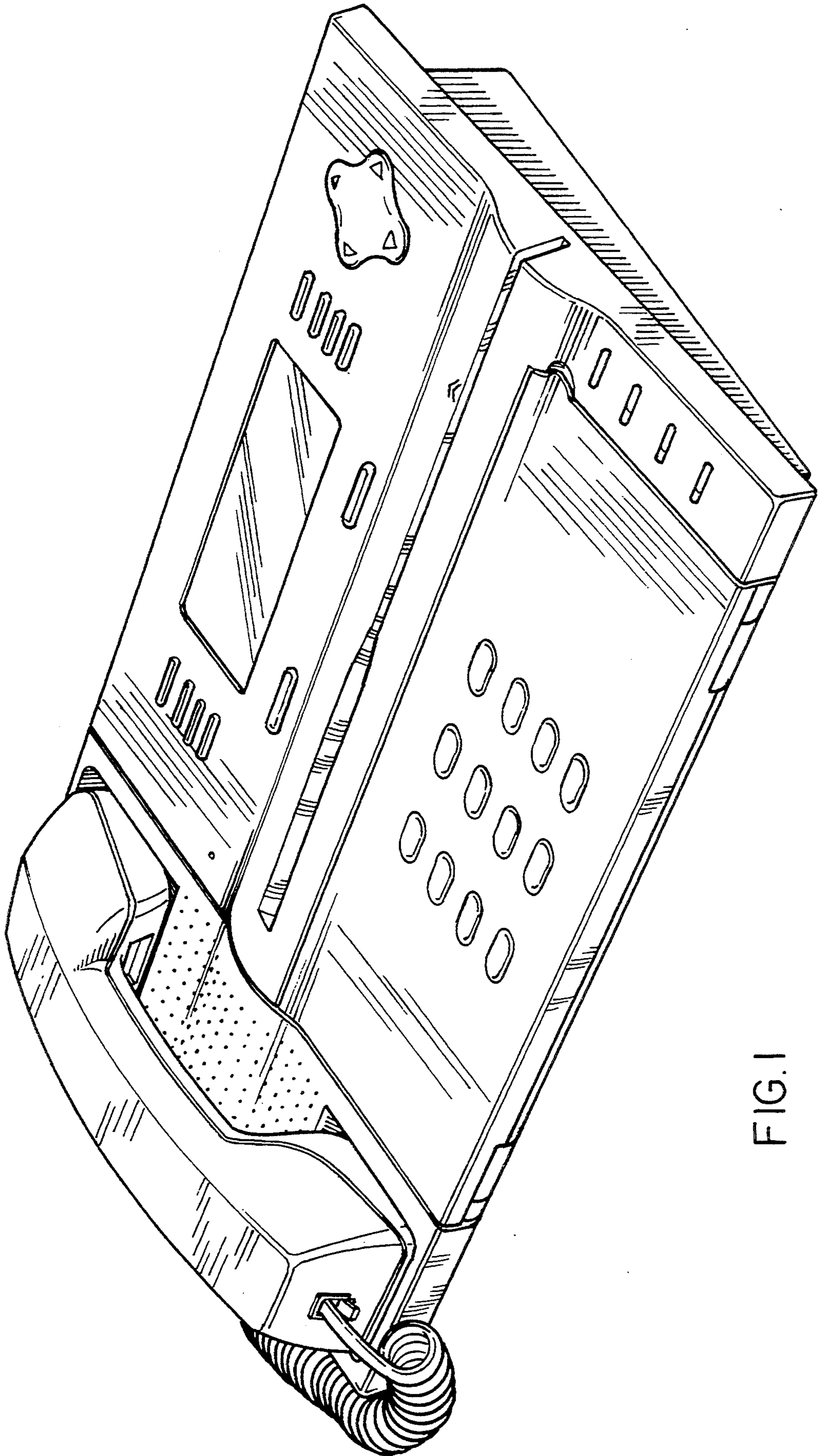


FIG. 1

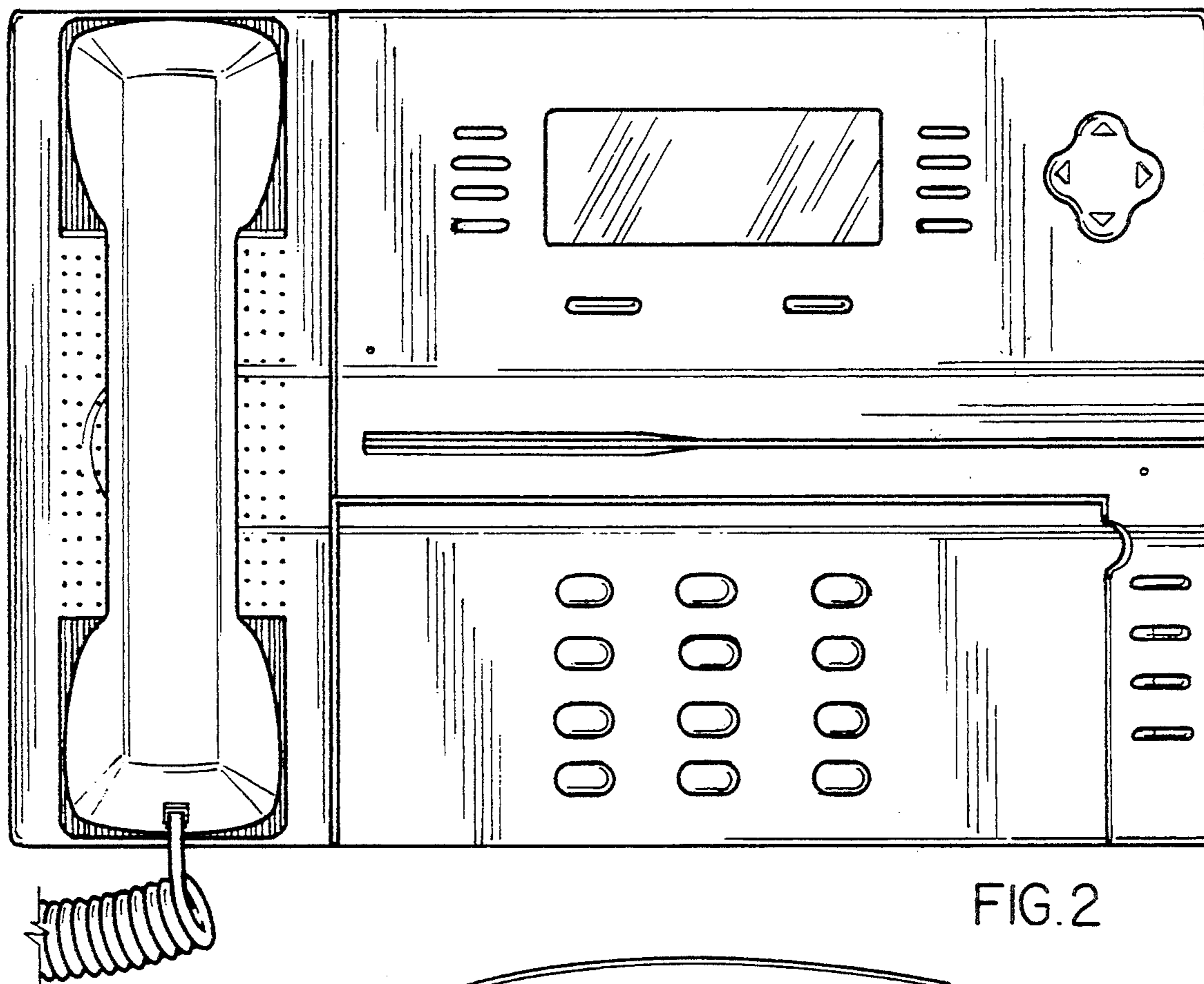


FIG. 2

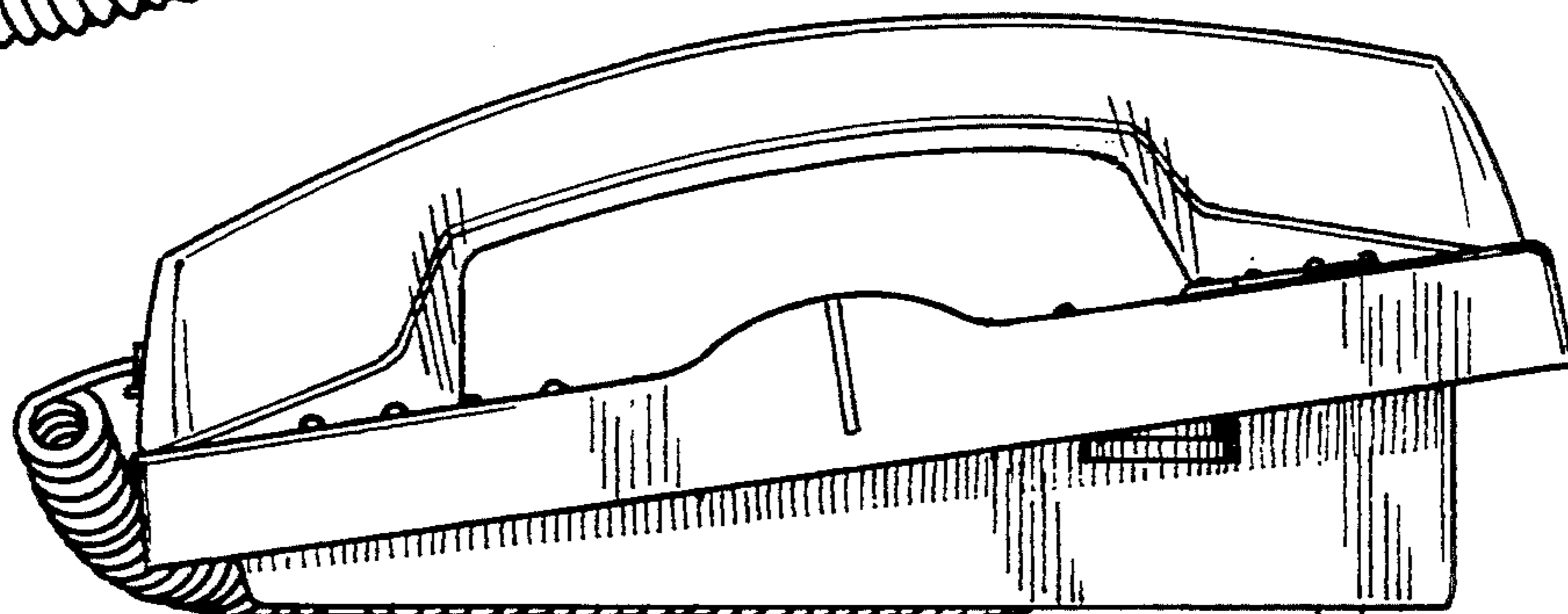


FIG. 4

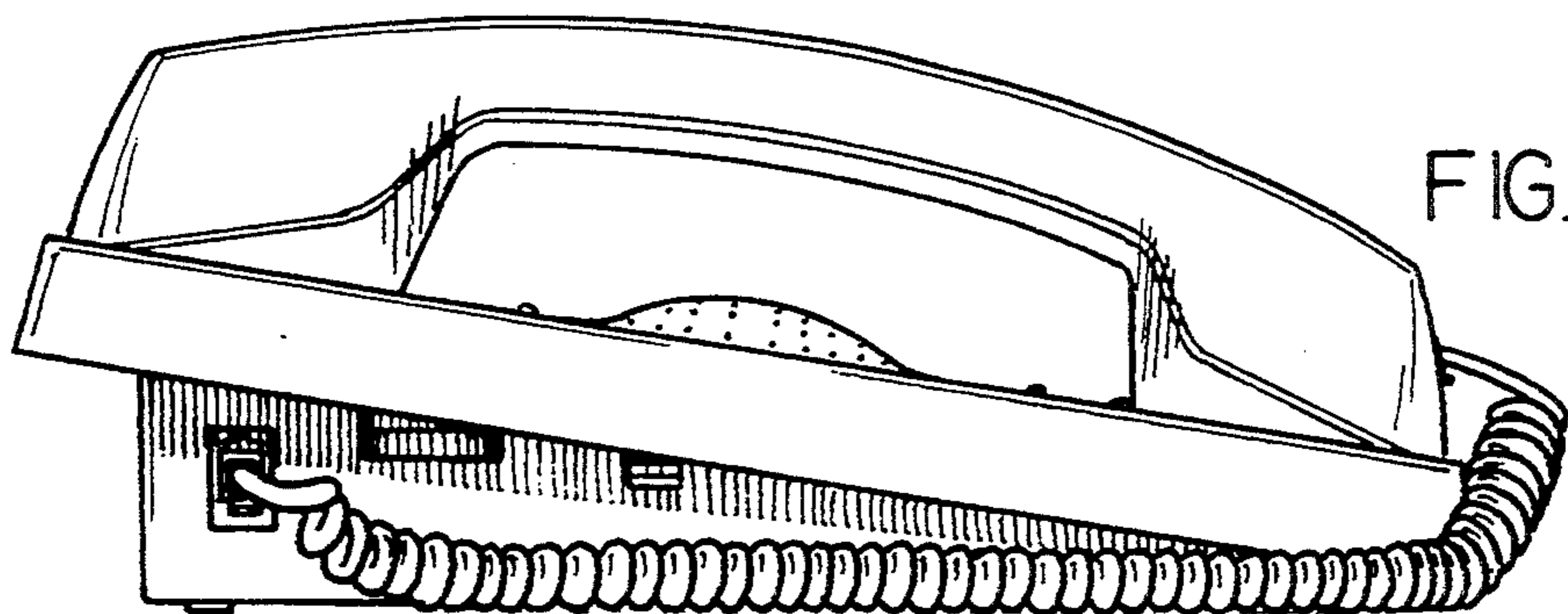


FIG. 5

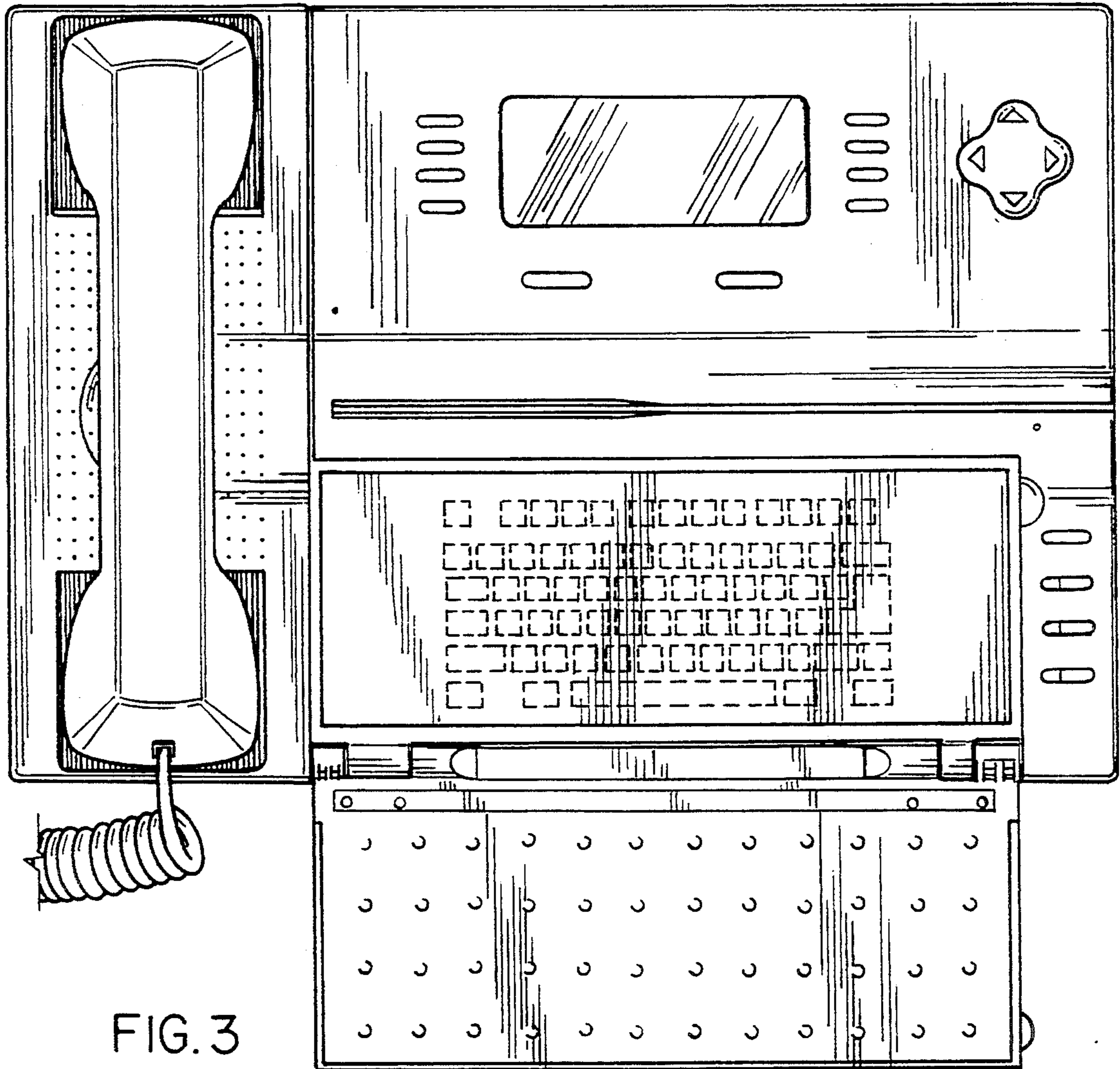


FIG. 3

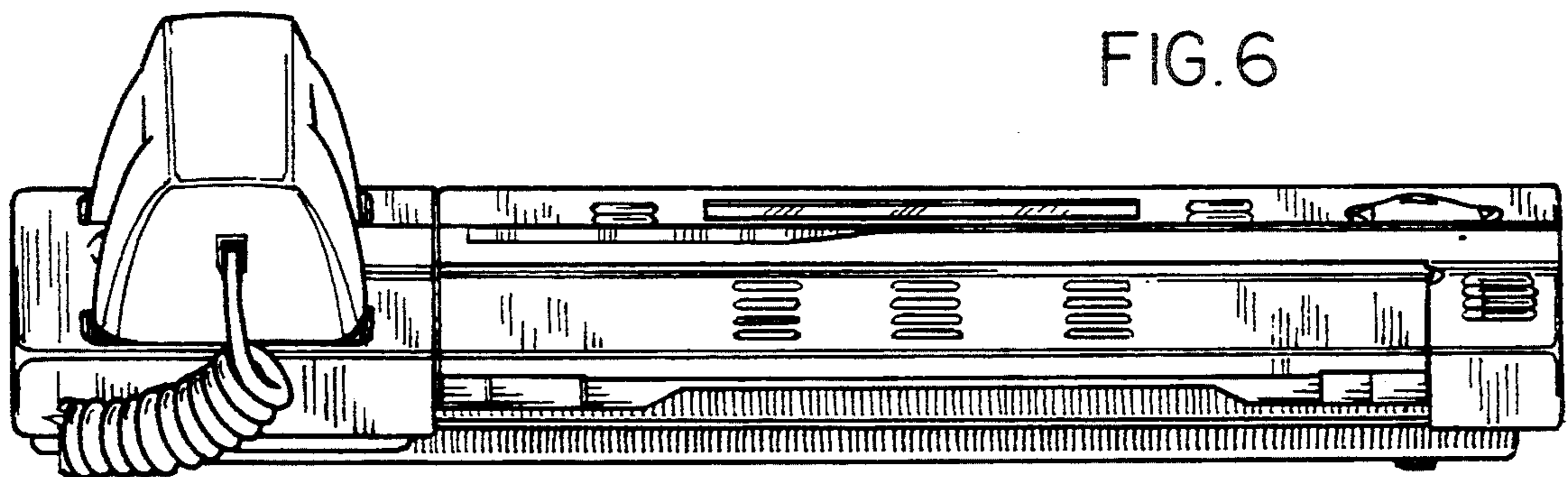


FIG. 6