



US00D359485S

# United States Patent [19] Park

[11] Patent Number: **Des. 359,485**

[45] Date of Patent: **\*\* Jun. 20, 1995**

[54] **FACSIMILE**

[75] Inventor: **Chang H. Park**, Seoul, Rep. of Korea

[73] Assignee: **Goldstar Co., Ltd.**, Seoul, Rep. of Korea

[\*\*] Term: **14 Years**

[21] Appl. No.: **15,416**

[22] Filed: **Nov. 17, 1993**

[30] **Foreign Application Priority Data**

Jul. 20, 1993 [KR] Rep. of Korea ..... 14394/1993

[52] U.S. Cl. .... **D14/118**

[58] Field of Search ..... D14/118, 124, 299;  
358/400, 401

[56] **References Cited**

**U.S. PATENT DOCUMENTS**

D. 304,183 10/1989 Hara et al. .... D14/118

D. 304,578 11/1989 Saegusa et al. .... D14/118  
D. 315,344 3/1991 Yoshihara ..... D14/118  
D. 321,868 11/1991 Anderson ..... D14/118  
D. 323,493 1/1992 Ando ..... D14/118  
D. 331,405 12/1992 Inukai ..... D14/118

*Primary Examiner*—Theodore M. Shooman  
*Attorney, Agent, or Firm*—Beveridge, DeGrandi,  
Weilacher & Young

[57] **CLAIM**

The ornamental design for facsimile, as shown.

**DESCRIPTION**

FIG. 1 is a top, front and right side perspective view of a facsimile showing my new design;  
FIG. 2 is a top plan view thereof;  
FIG. 3 is a bottom plan view thereof;  
FIG. 4 is a front elevational view thereof;  
FIG. 5 is a rear elevational view thereof;  
FIG. 6 is a left side elevational view thereof; and,  
FIG. 7 is a right side elevational view thereof.

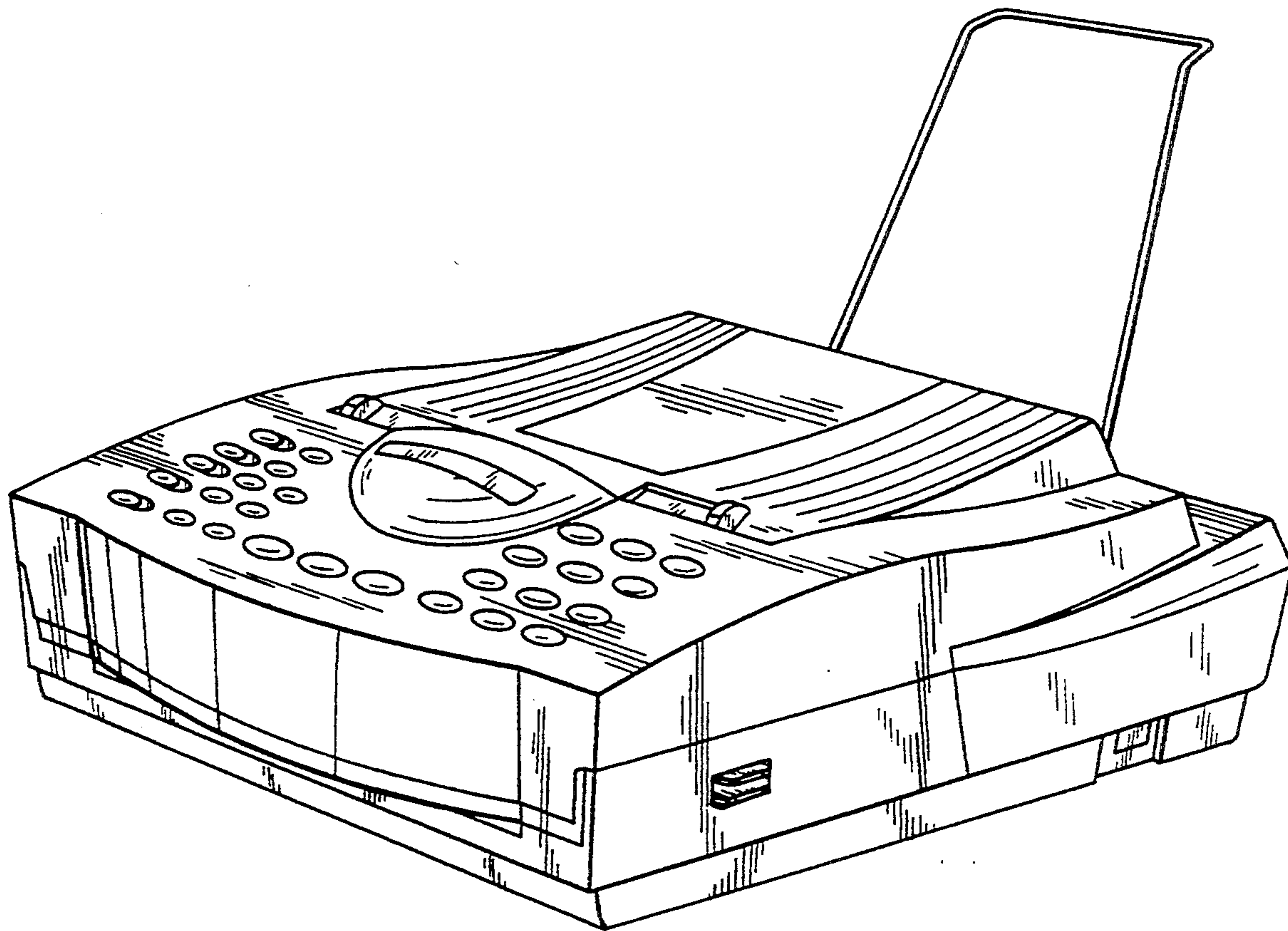


FIG. 1

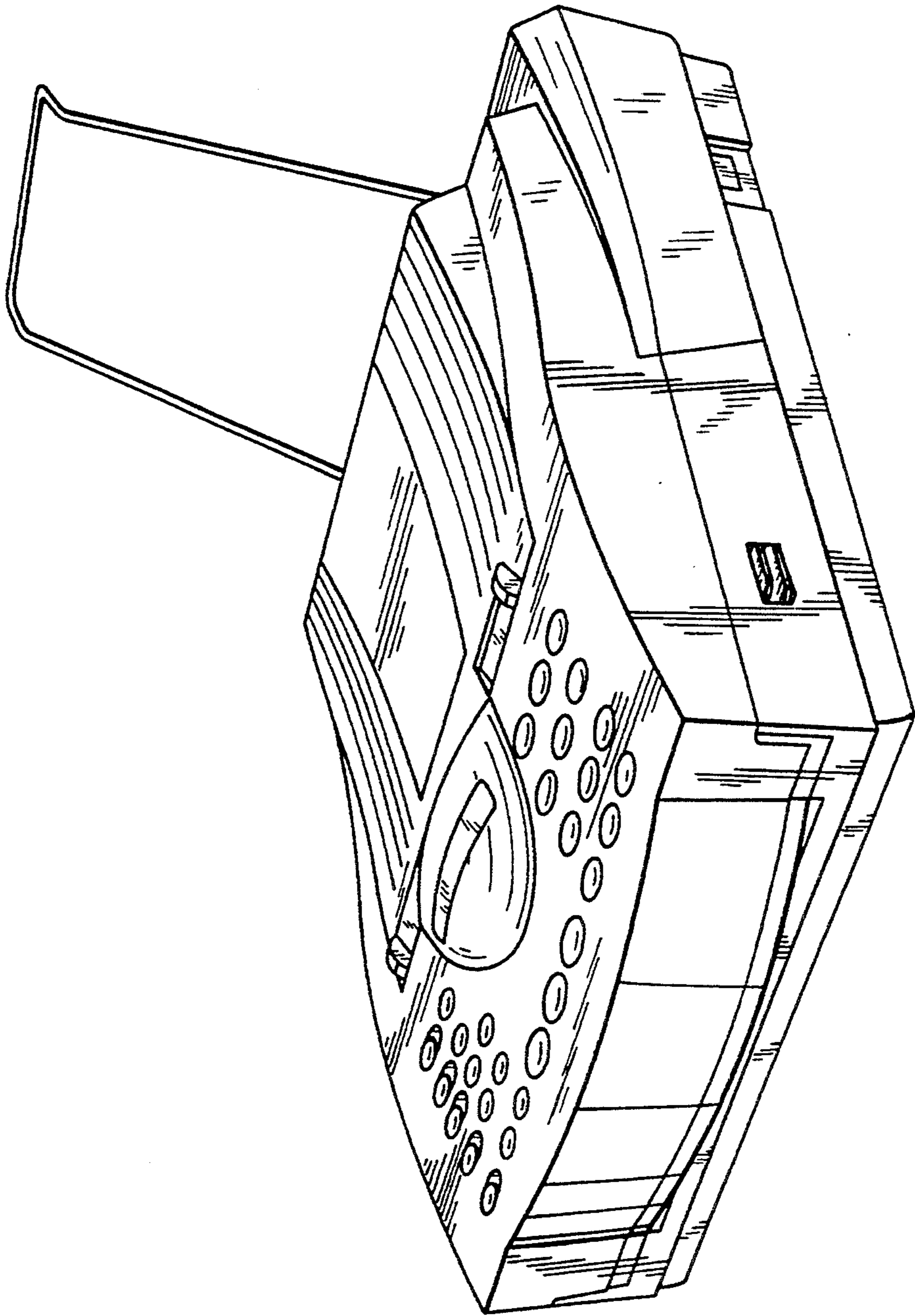


FIG.2

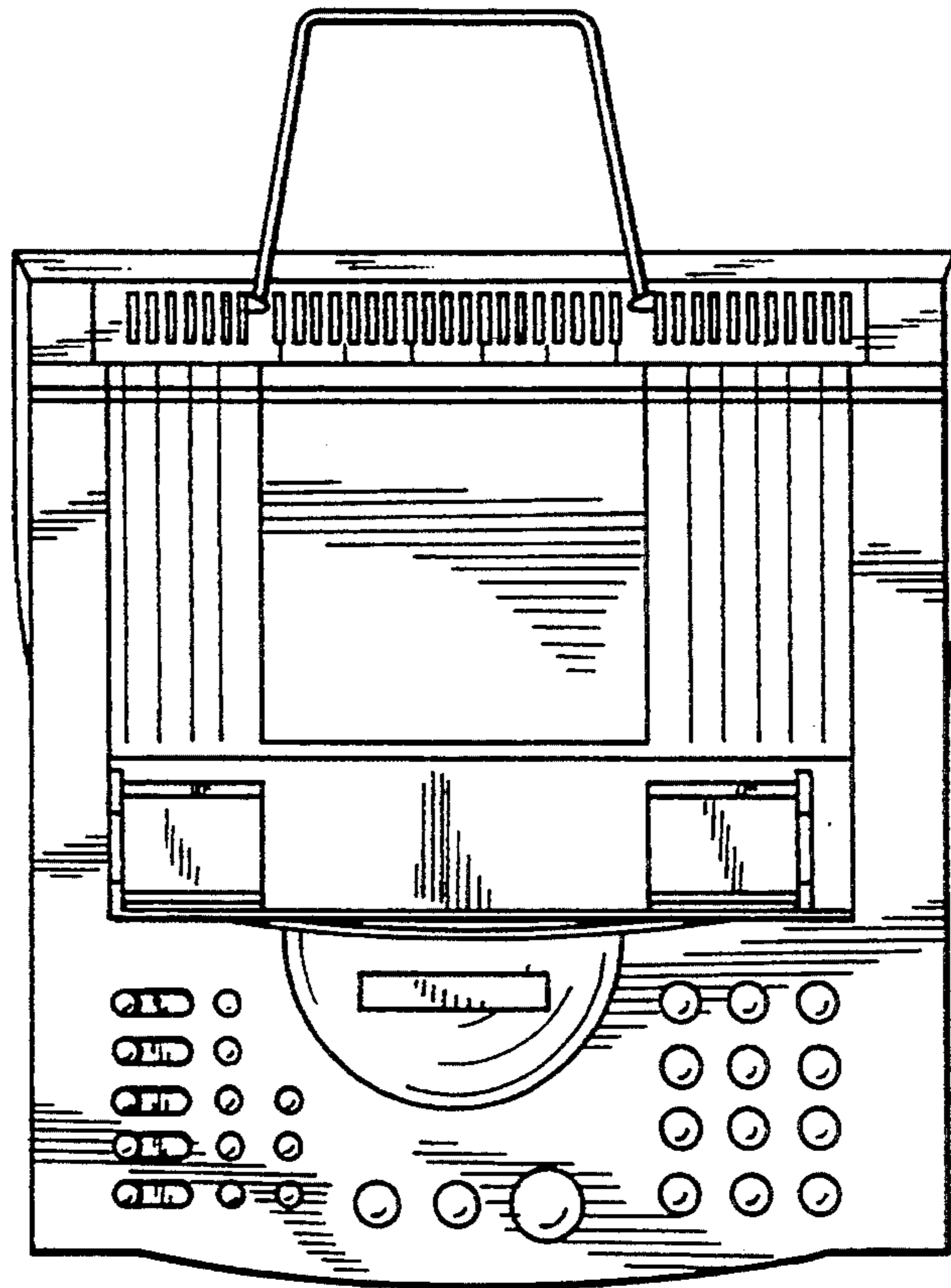


FIG.3

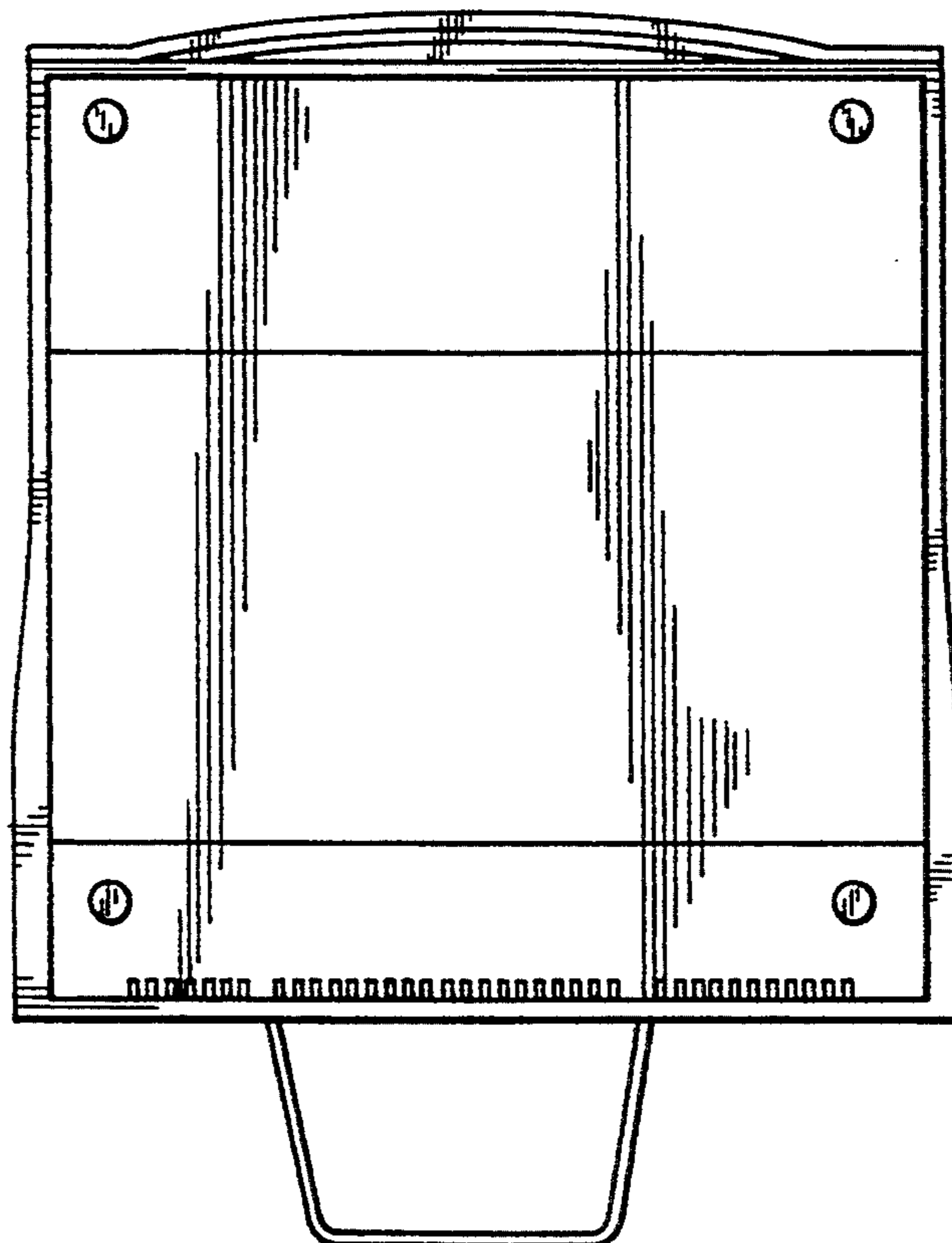


FIG. 4

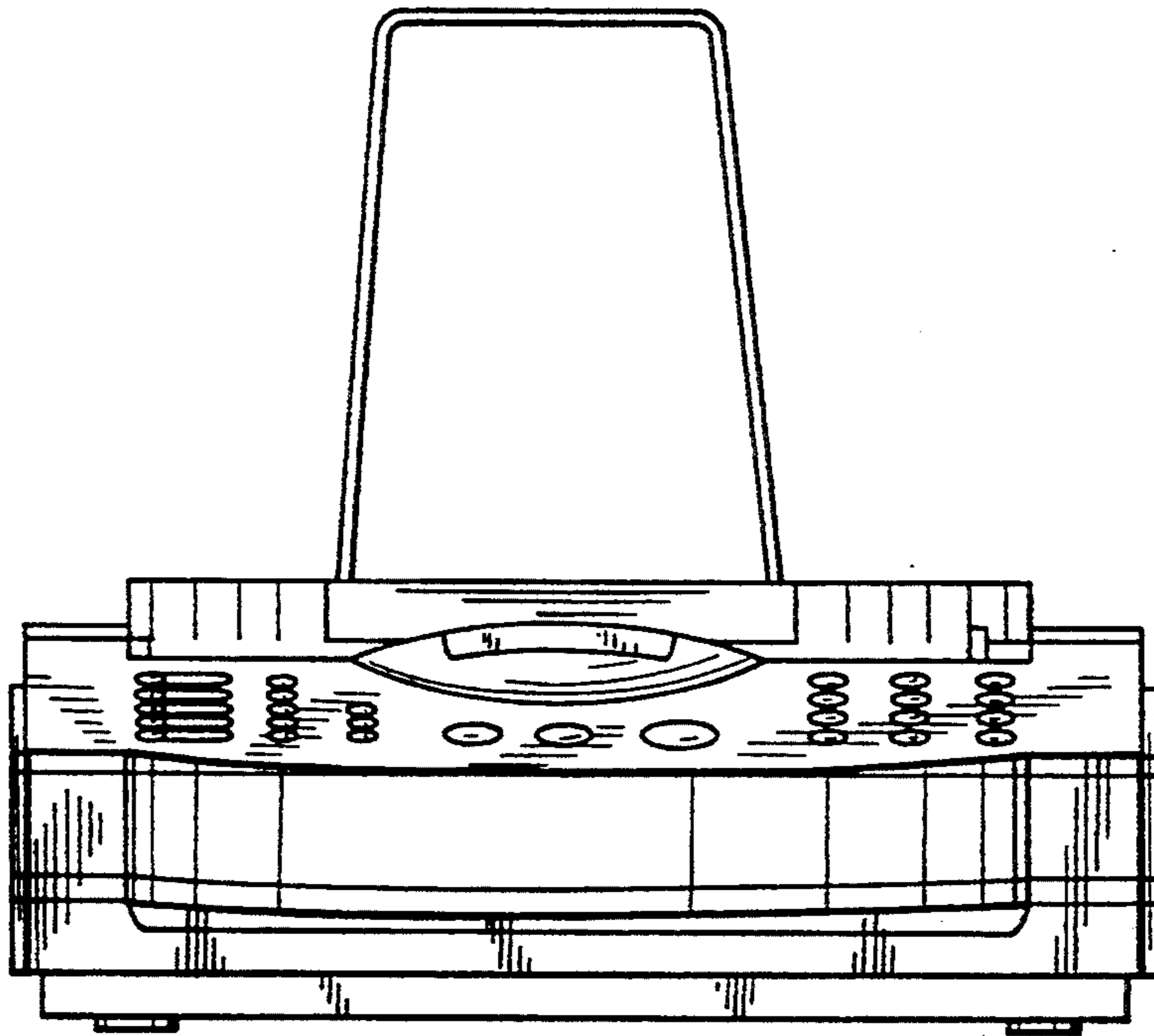


FIG. 5

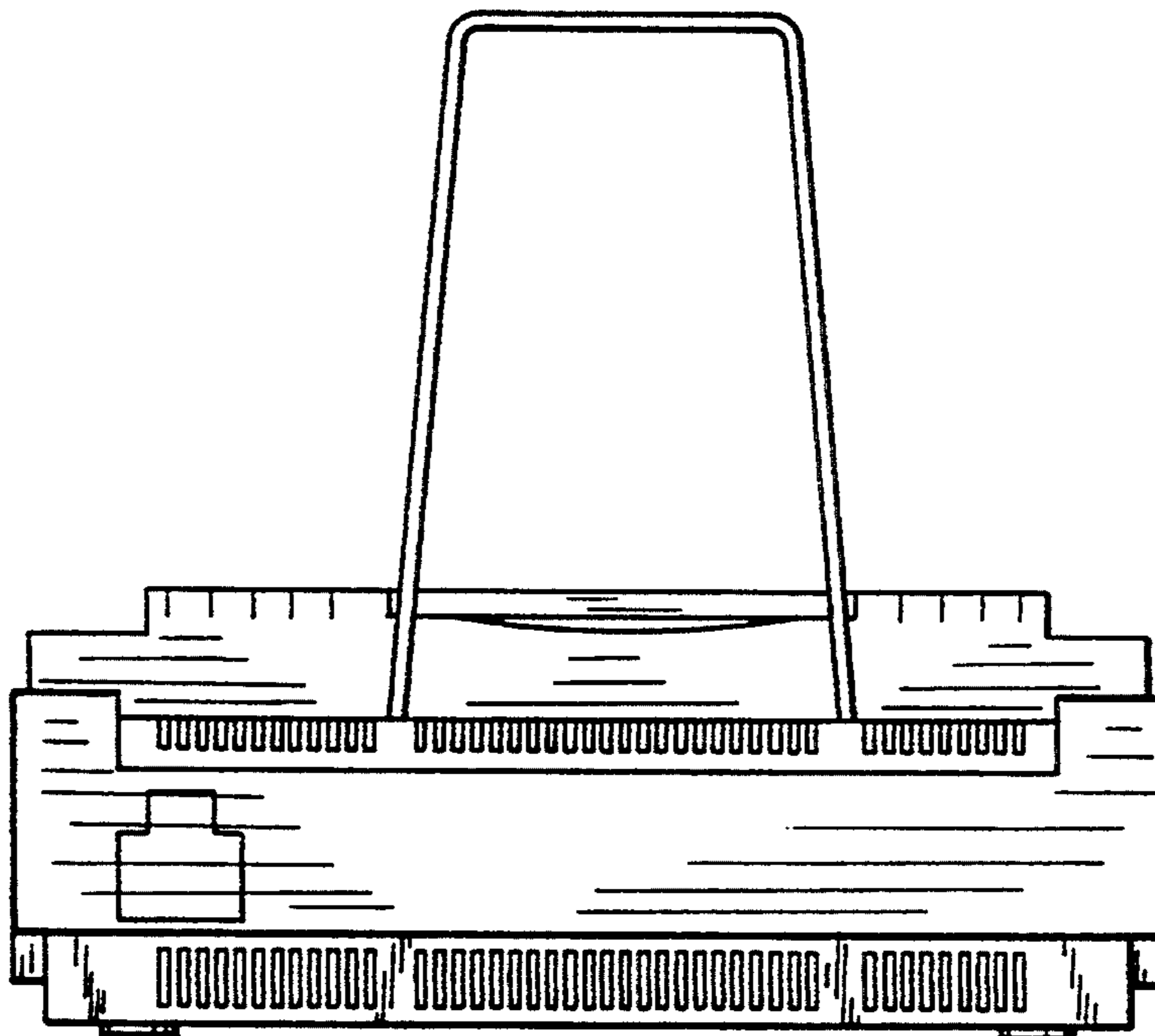


FIG.6

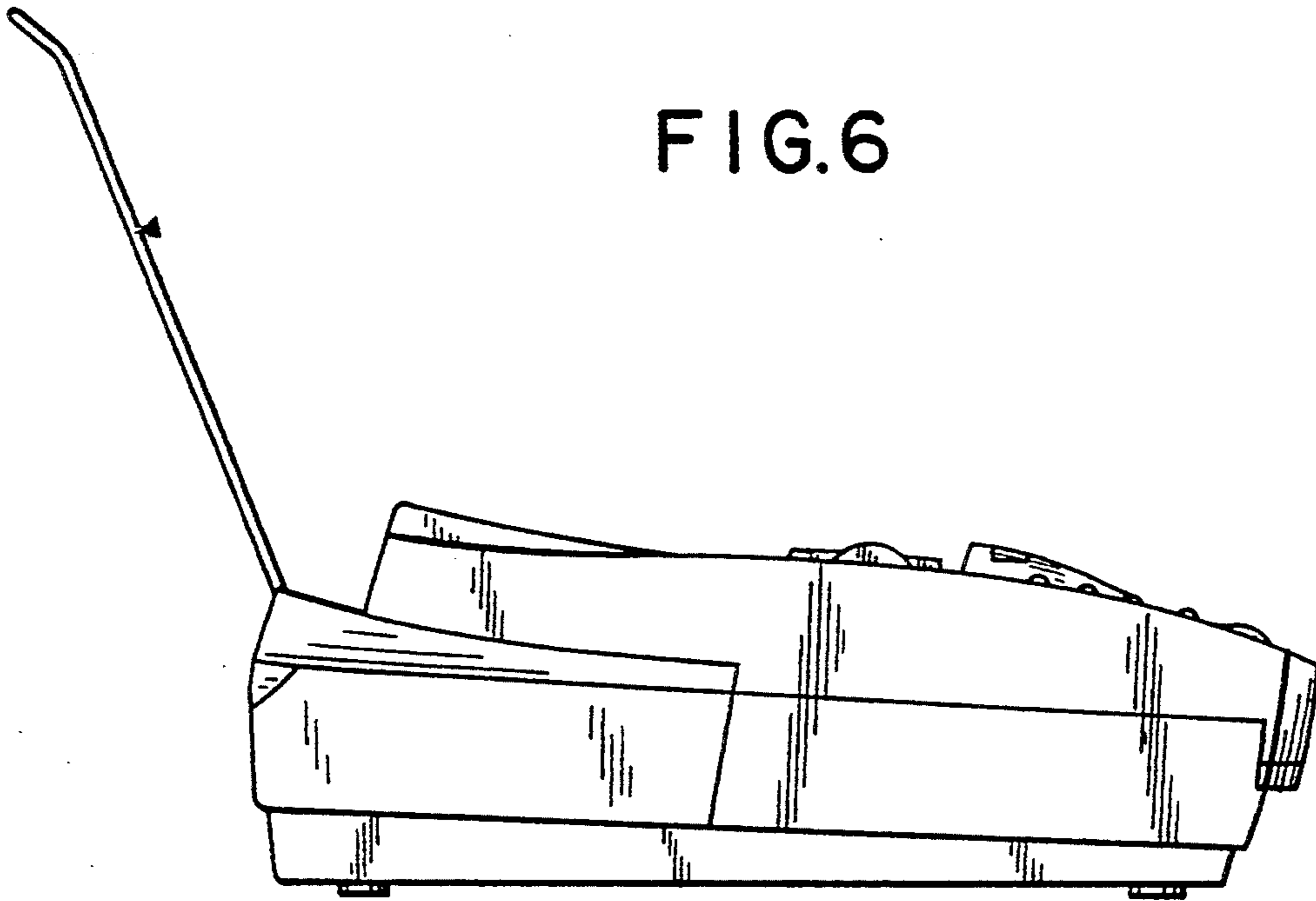


FIG.7

