



US00D359483S

United States Patent [19]

[11] Patent Number: **Des. 359,483**

Saunders et al.

[45] Date of Patent: **** Jun. 20, 1995**

[54] **COMBINED OPTICAL SCANNER AND MOUNTING STAND**

[56] **References Cited**

[75] Inventors: **Robert Saunders, Bayport; Robert Stein, Plainview; Paul Severino, Islip; Yuri Gofman, Bohemia; Michael Savona, Coram; John Cavalieri, Jr., Holbrook, all of N.Y.**

U.S. PATENT DOCUMENTS

- D. 318,658 7/1991 Stoddard, III et al. D14/116
- D. 348,260 6/1994 Mgeier D14/116
- D. 350,127 8/1994 Gummeson et al. D14/116
- D. 351,149 10/1994 Bontly et al. D14/116
- D. 351,150 10/1994 Bontly et al. D14/116

[73] Assignee: **Symbol Technologies, Inc., Bohemia, N.Y.**

Primary Examiner—Melanie H. Tung

[**] Term: **14 Years**

[57] CLAIM

The ornamental design for an combined optical scanner and mounting stand, as shown and described.

[21] Appl. No.: **23,082**

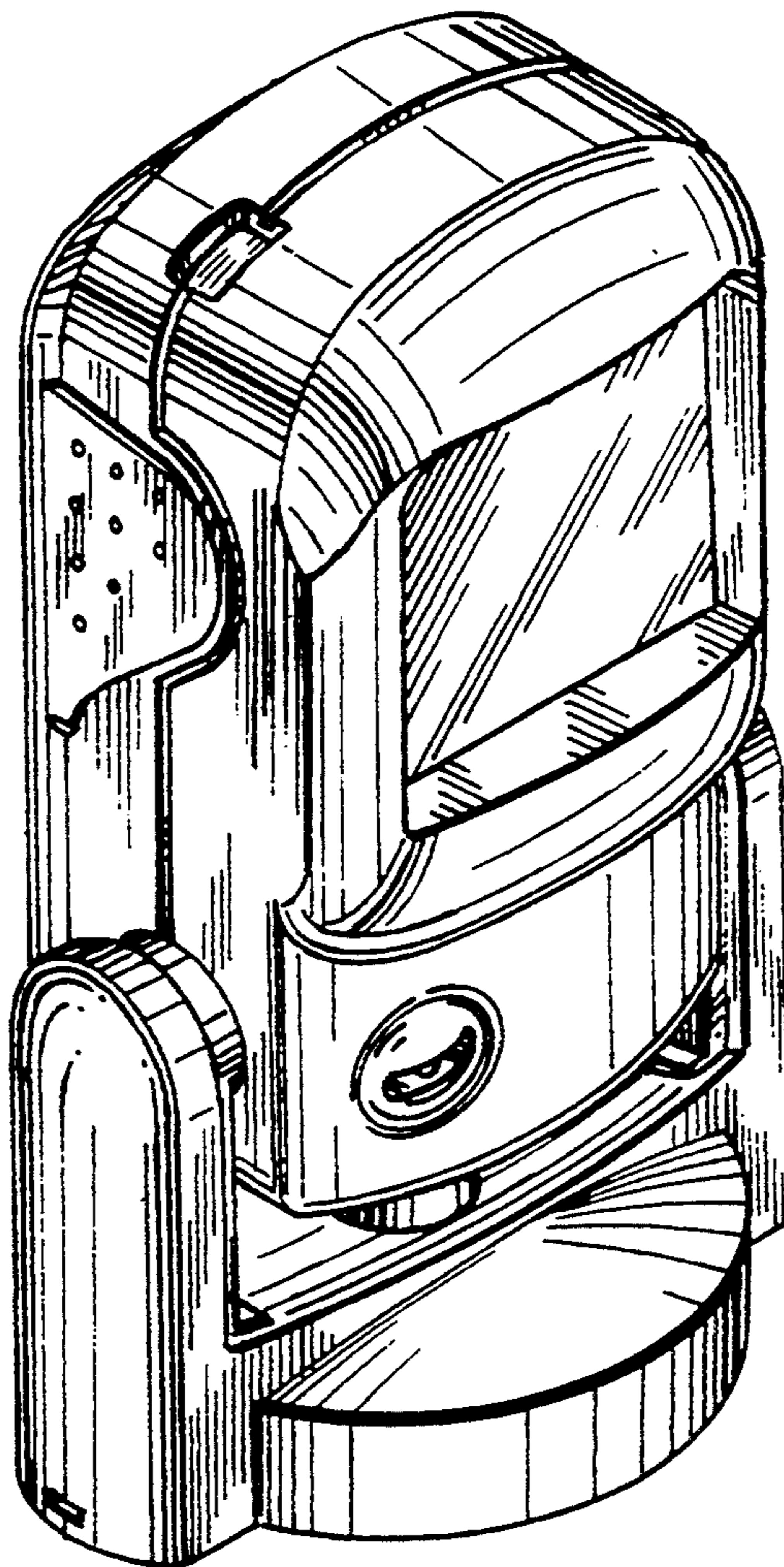
DESCRIPTION

[22] Filed: **May 17, 1994**

[52] U.S. Cl. **D14/116**

[58] Field of Search D14/114, 107, 116;
235/375, 378, 385, 454, 462, 472, 486;
354/80-82; 382/58-69; 250/203.1, 216, 566,
568; D26/37, 45, 50; 248/917-924

FIG. 1 is a top, front, left-side perspective view of an combined optical scanner showing our new design; FIG. 2 is a top plan view thereof; FIG. 3 is a left-side elevational view thereof; FIG. 4 is a front elevational view thereof; FIG. 5 is a right-side elevational view thereof; FIG. 6 is a rear elevational view thereof; and, FIG. 7 is a bottom plan view thereof.



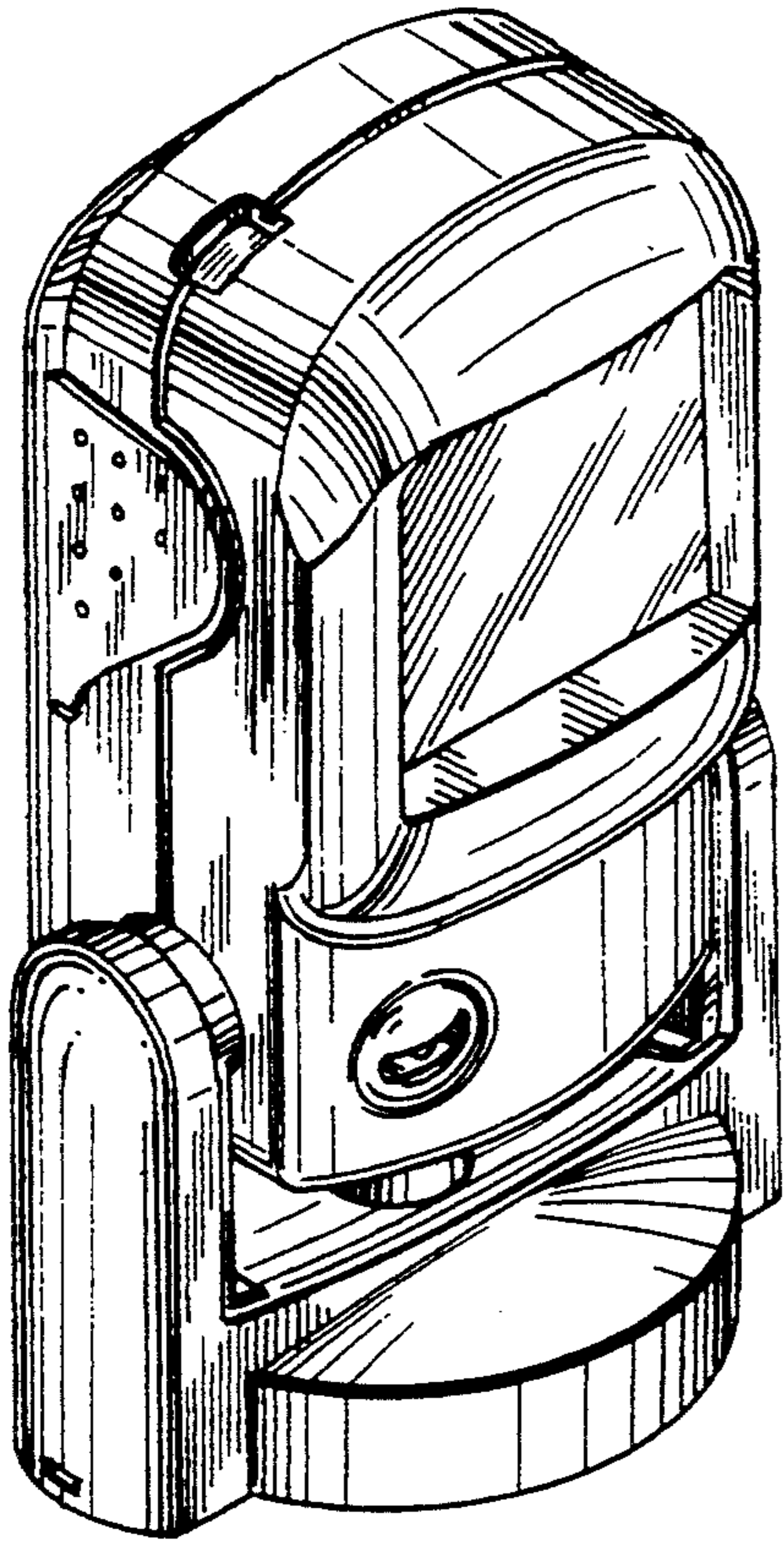


FIG. 1

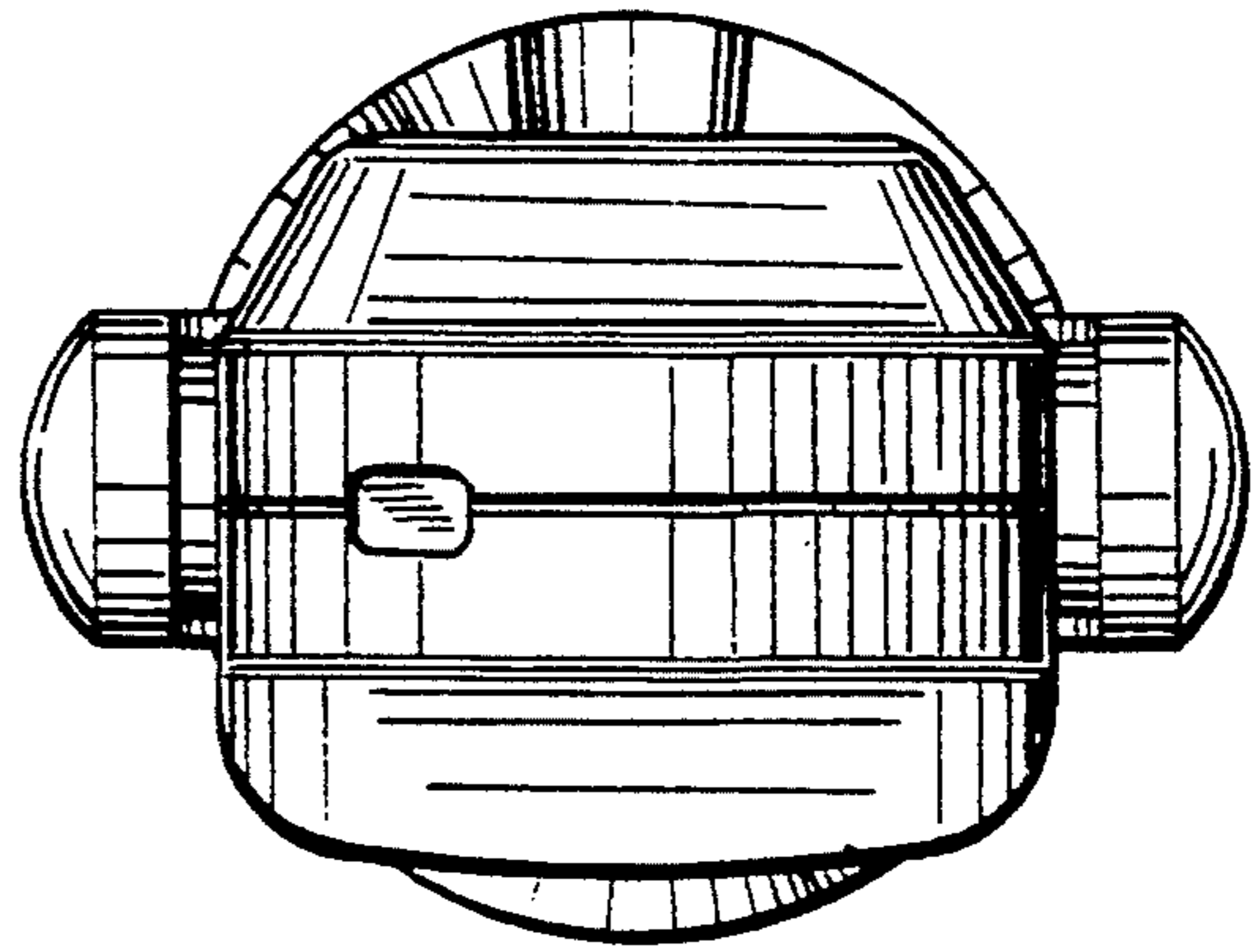


FIG. 2

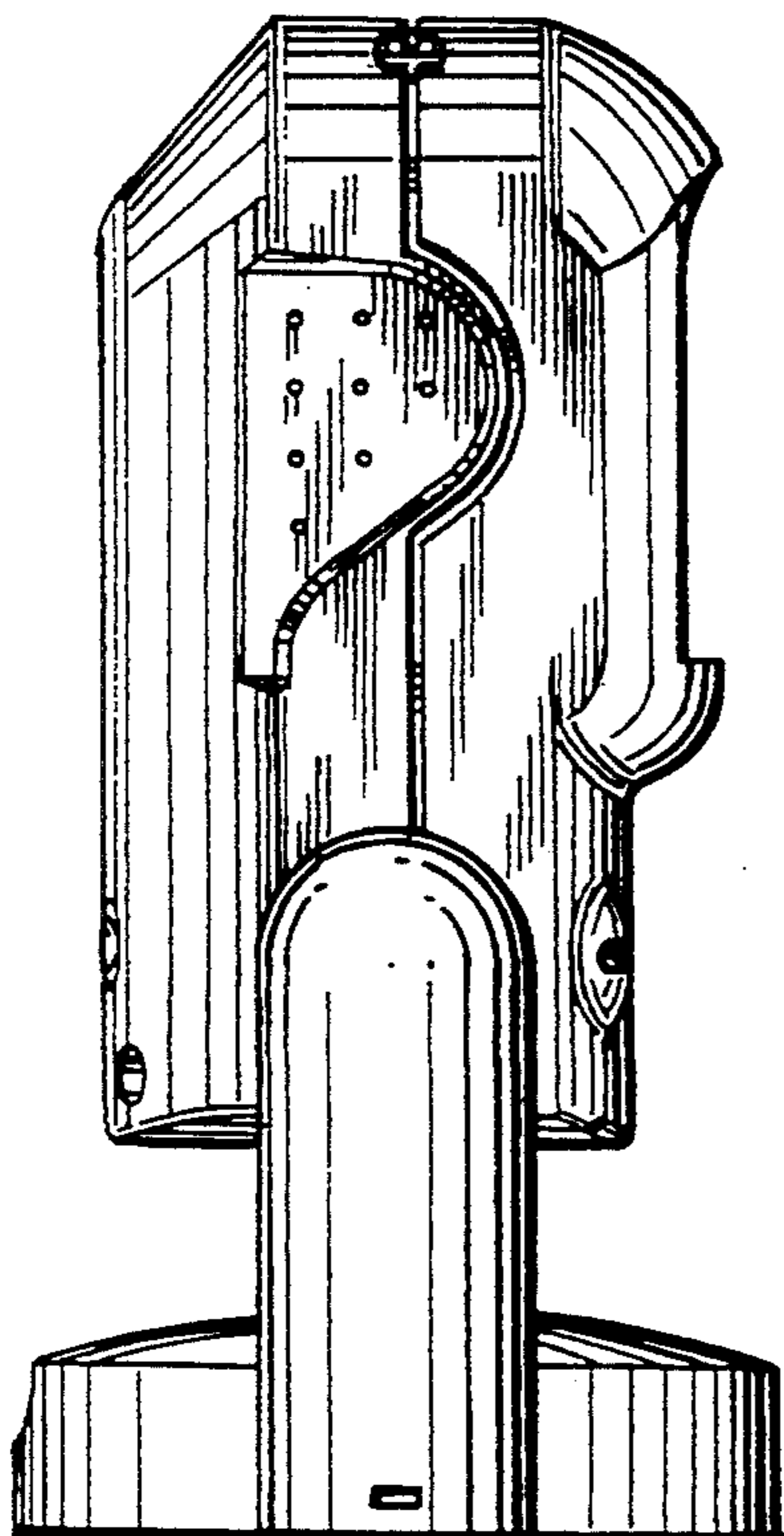


FIG. 3

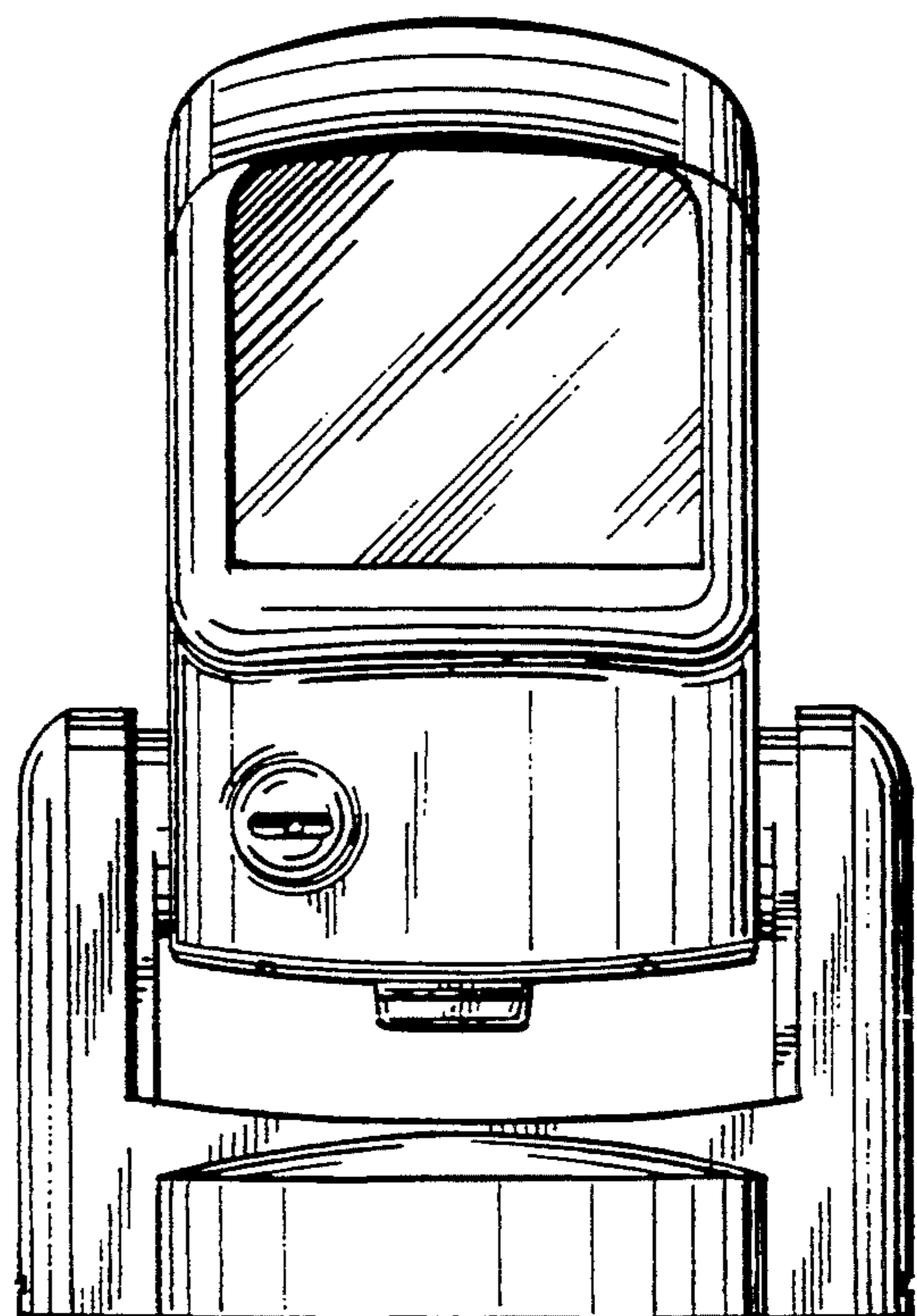


FIG. 4

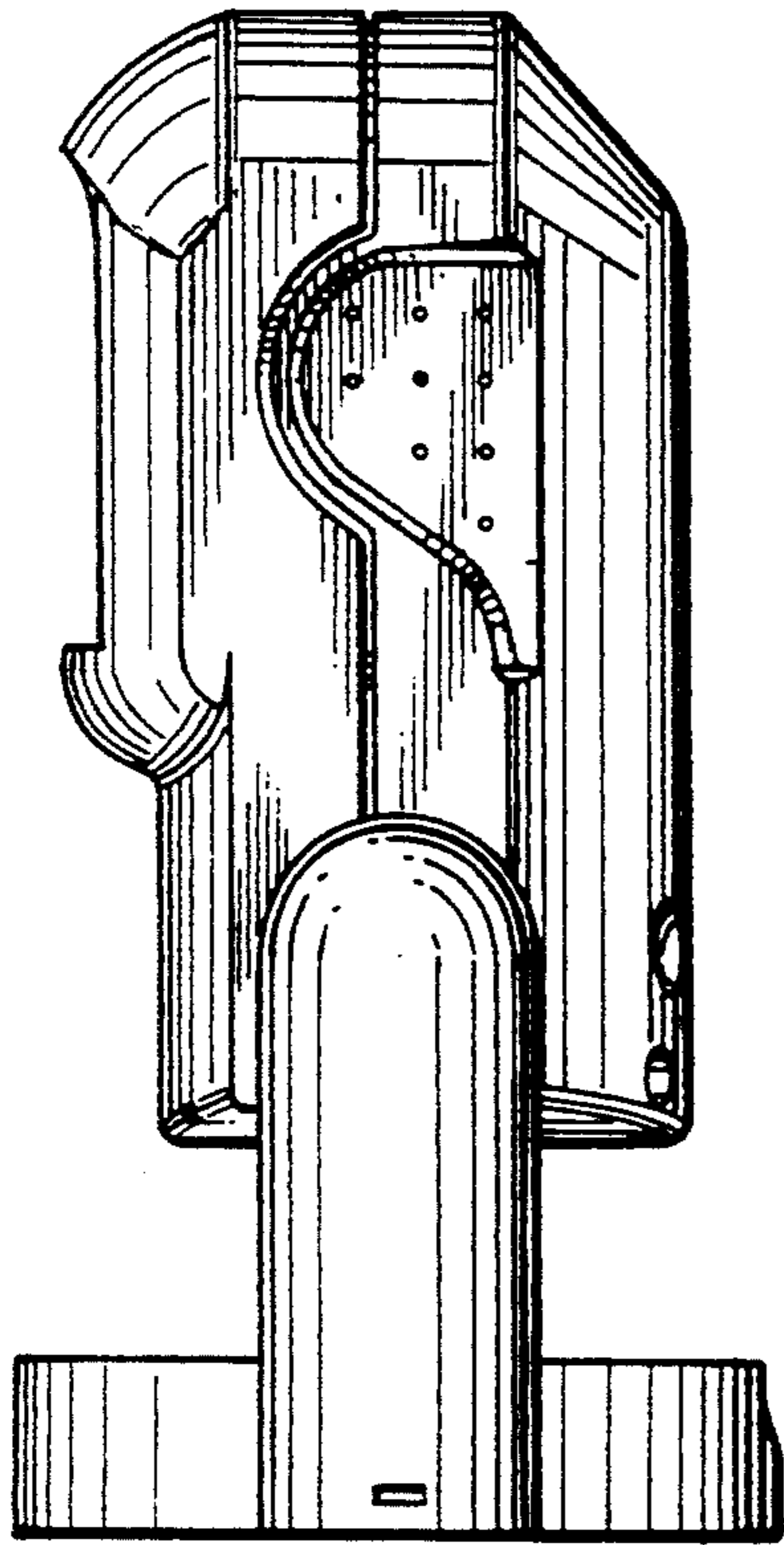


FIG. 5

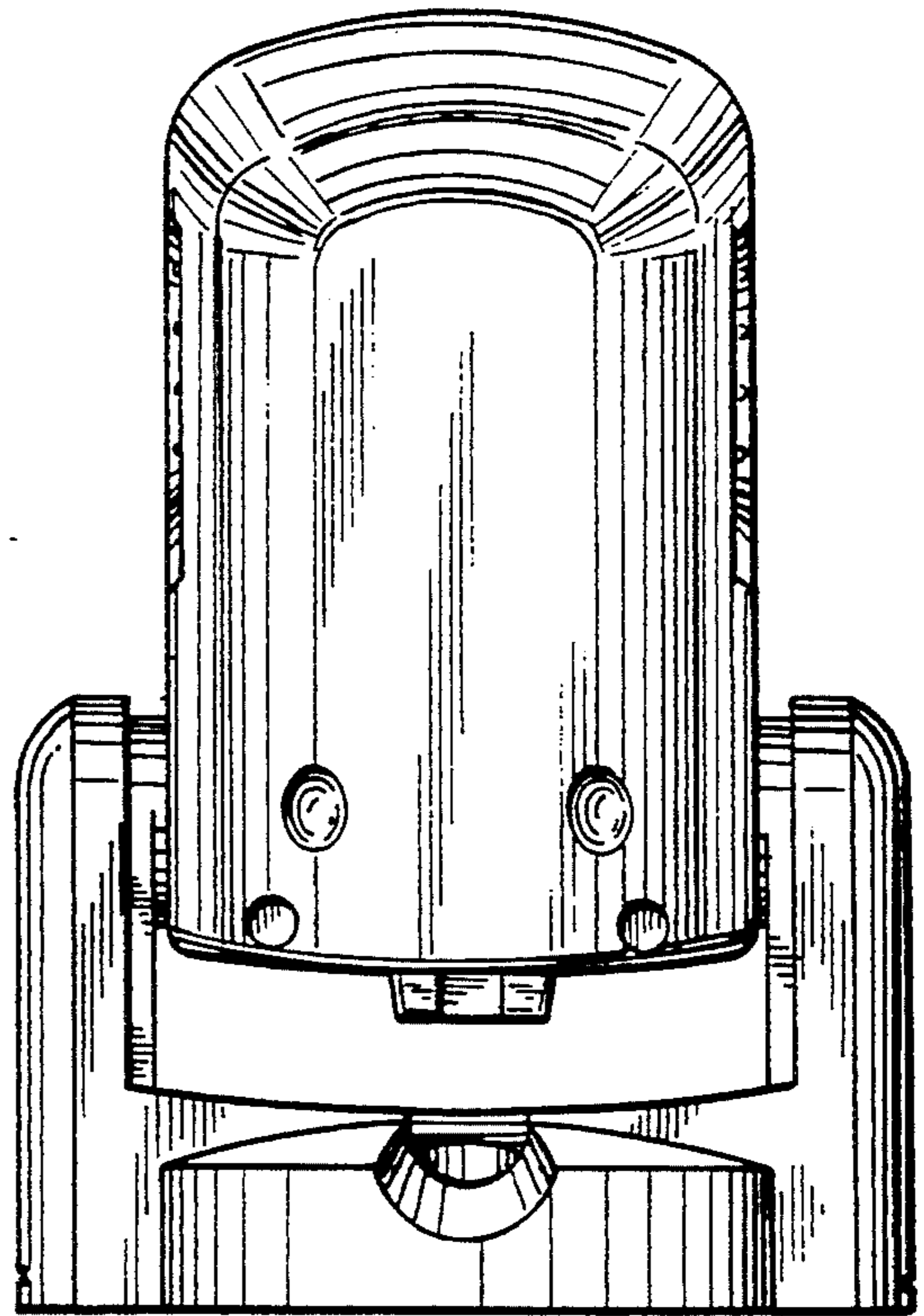


FIG. 6

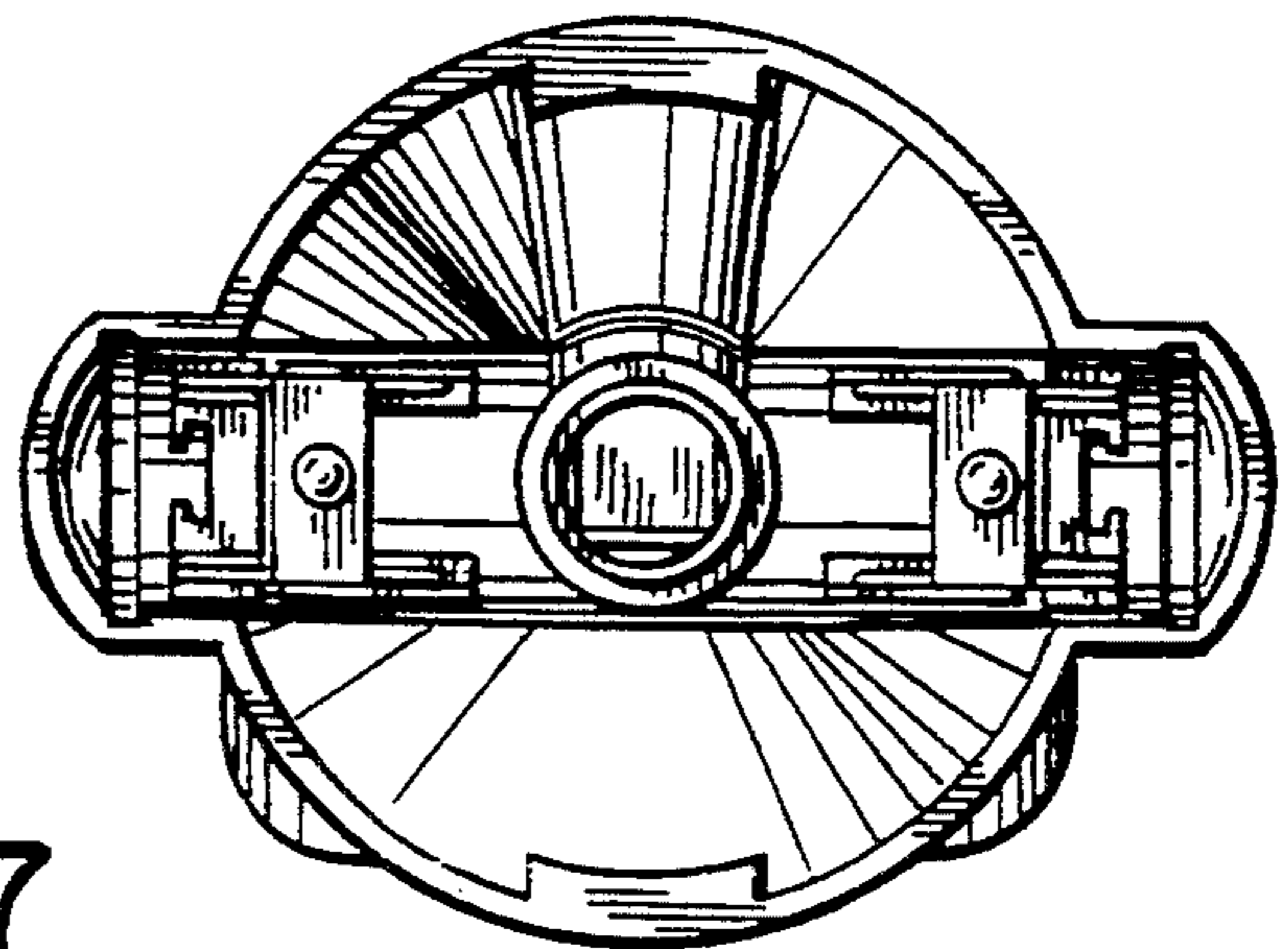


FIG. 7