



US00D359478S

United States Patent [19]

[11] Patent Number: **Des. 359,478**

Shoda

[45] Date of Patent: **** Jun. 20, 1995**

[54] **STACKABLE COMPUTER SYSTEM**

D. 340,040 10/1993 Gifford et al. D14/109
D. 341,132 11/1993 Hui D14/107

[75] Inventor: **Thomas M. Shoda**, Foster City, Calif.

Primary Examiner—Freda S. Nunn
Attorney, Agent, or Firm—Harold C. McGurk, IV; S. Kevin Pickens

[73] Assignee: **Motorola, Inc.**, Schaumburg, Ill.

[**] Term: **14 Years**

[57] **CLAIM**

[21] Appl. No.: **10,445**

The ornamental design for the stackable computer system, as shown and described.

[22] Filed: **Jul. 7, 1993**

[52] U.S. Cl. **D14/100**

DESCRIPTION

[58] Field of Search D14/100, 102, 107-109;
D13/162, 184, 199; 312/194, 208.1, 223.2,
223.3; 360/97.01, 97.04, 98.01, 99.01, 99.12;
361/600, 622, 724-728

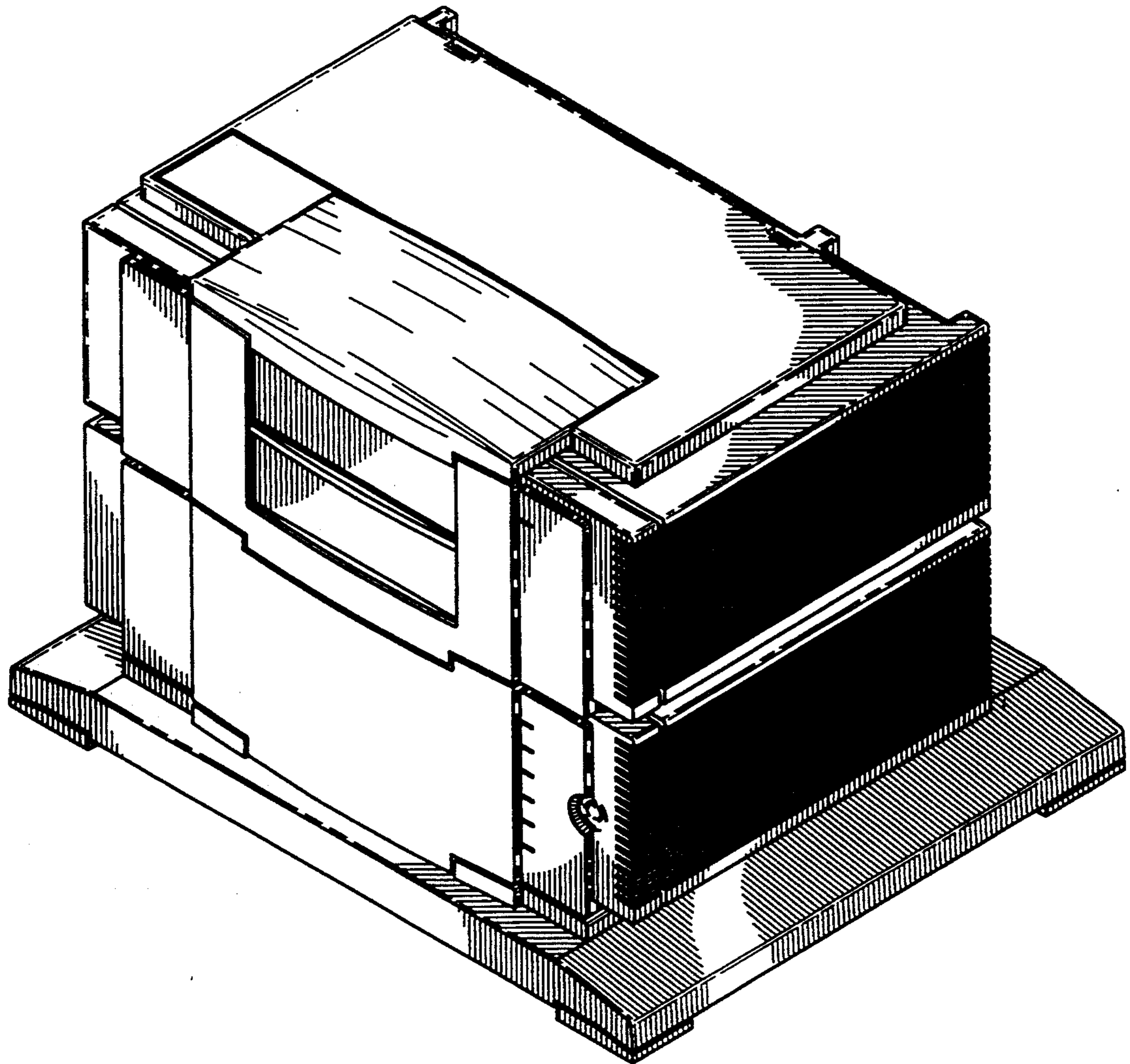
FIG. 1 is a front elevational view of a stackable computer system showing my new design with broken lines shown for illustrative purposes only and forming no part of the claimed design;

[56] **References Cited**

U.S. PATENT DOCUMENTS

D. 287,724 1/1987 Keely et al. D14/100
D. 310,825 9/1990 Crease et al. D14/100
D. 320,978 10/1991 Cronch et al. D14/100

FIG. 2 is an enlarged top plan view thereof;
FIG. 3 is a right side elevational view thereof;
FIG. 4 is a left side elevational view thereof;
FIG. 5 is a back elevational view thereof;
FIG. 6 is an enlarged bottom plan view thereof; and,
FIG. 7 is a perspective view thereof.



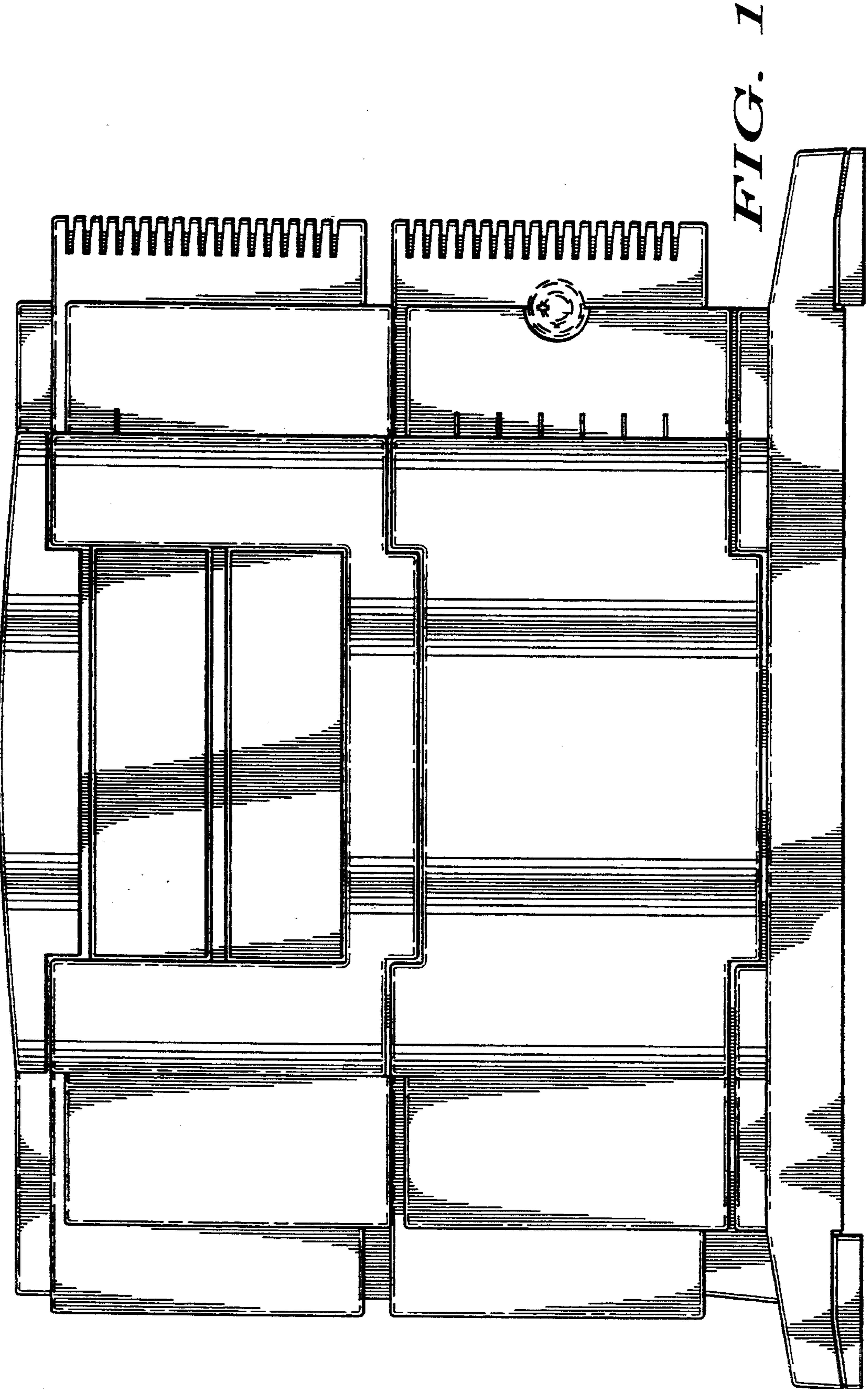


FIG. 1

FIG. 2

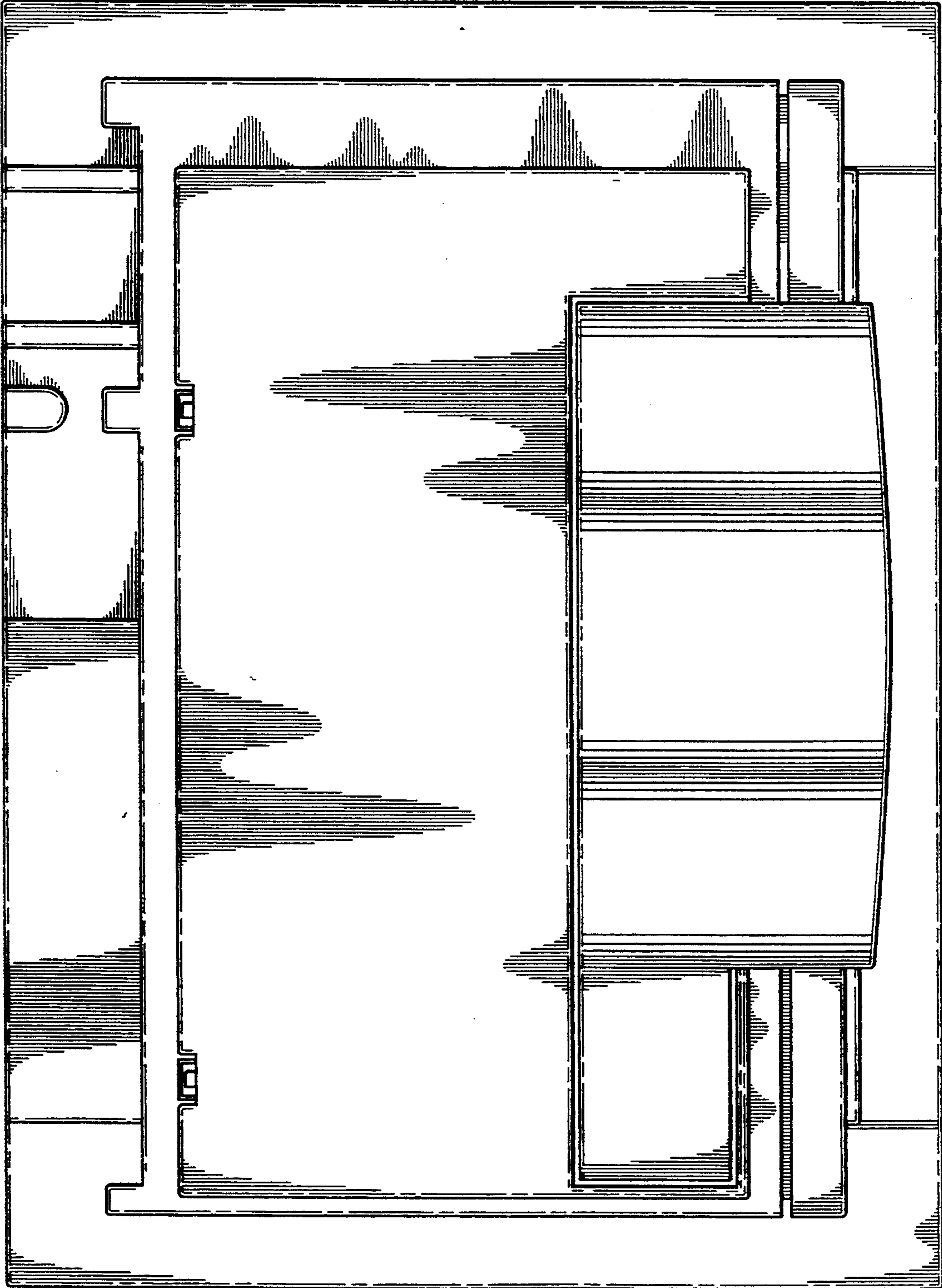
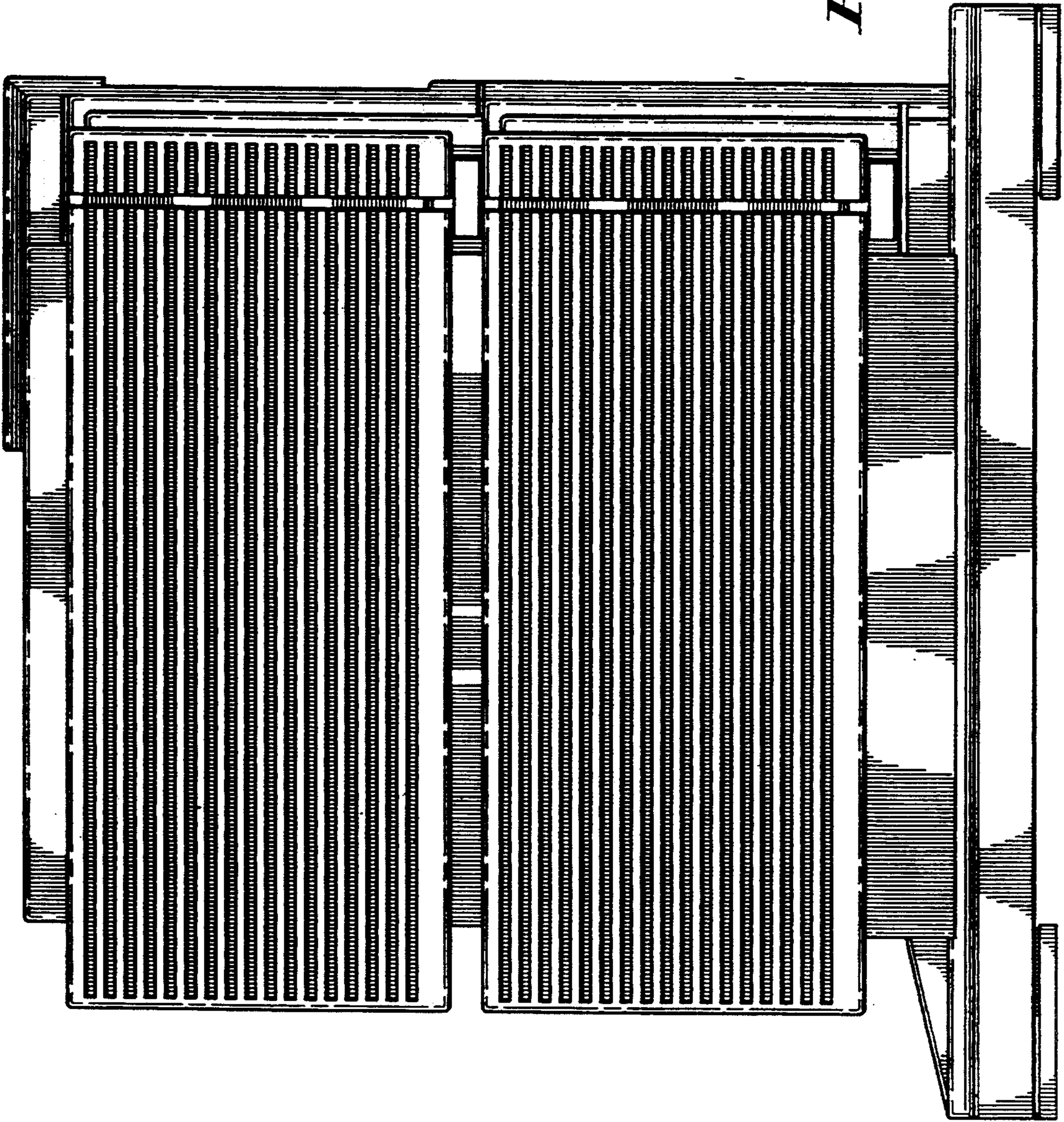


FIG. 3



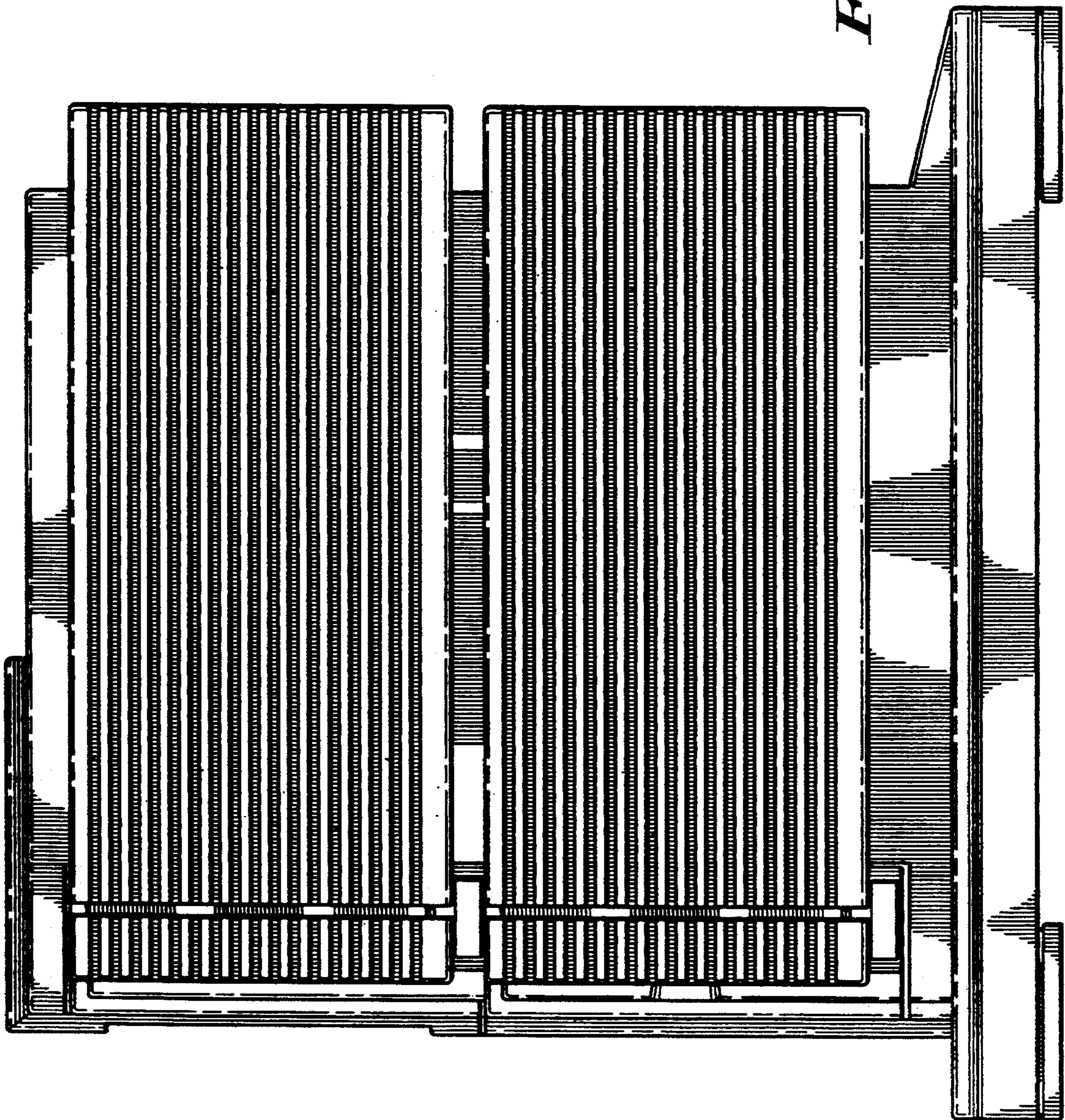


FIG. 4

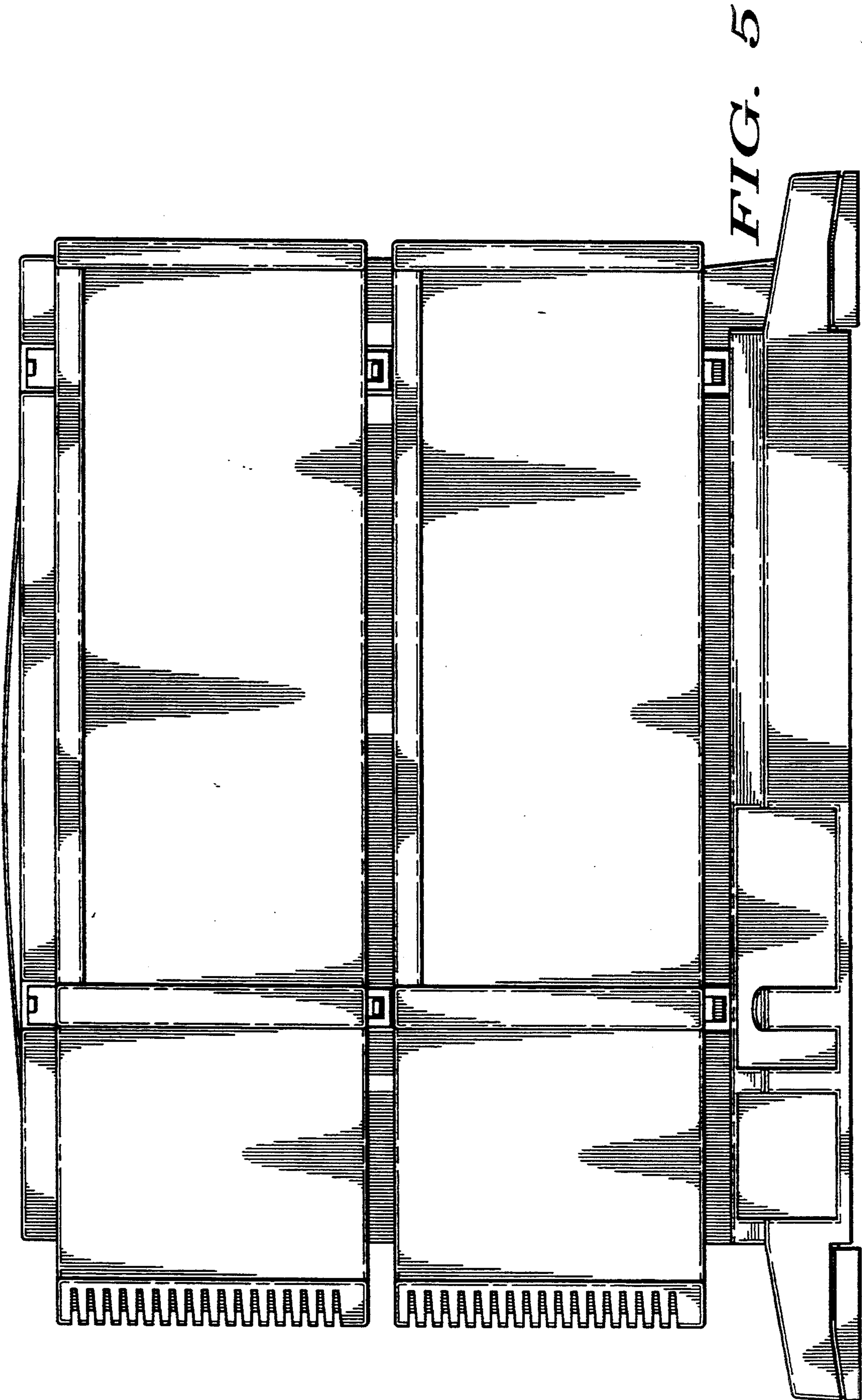
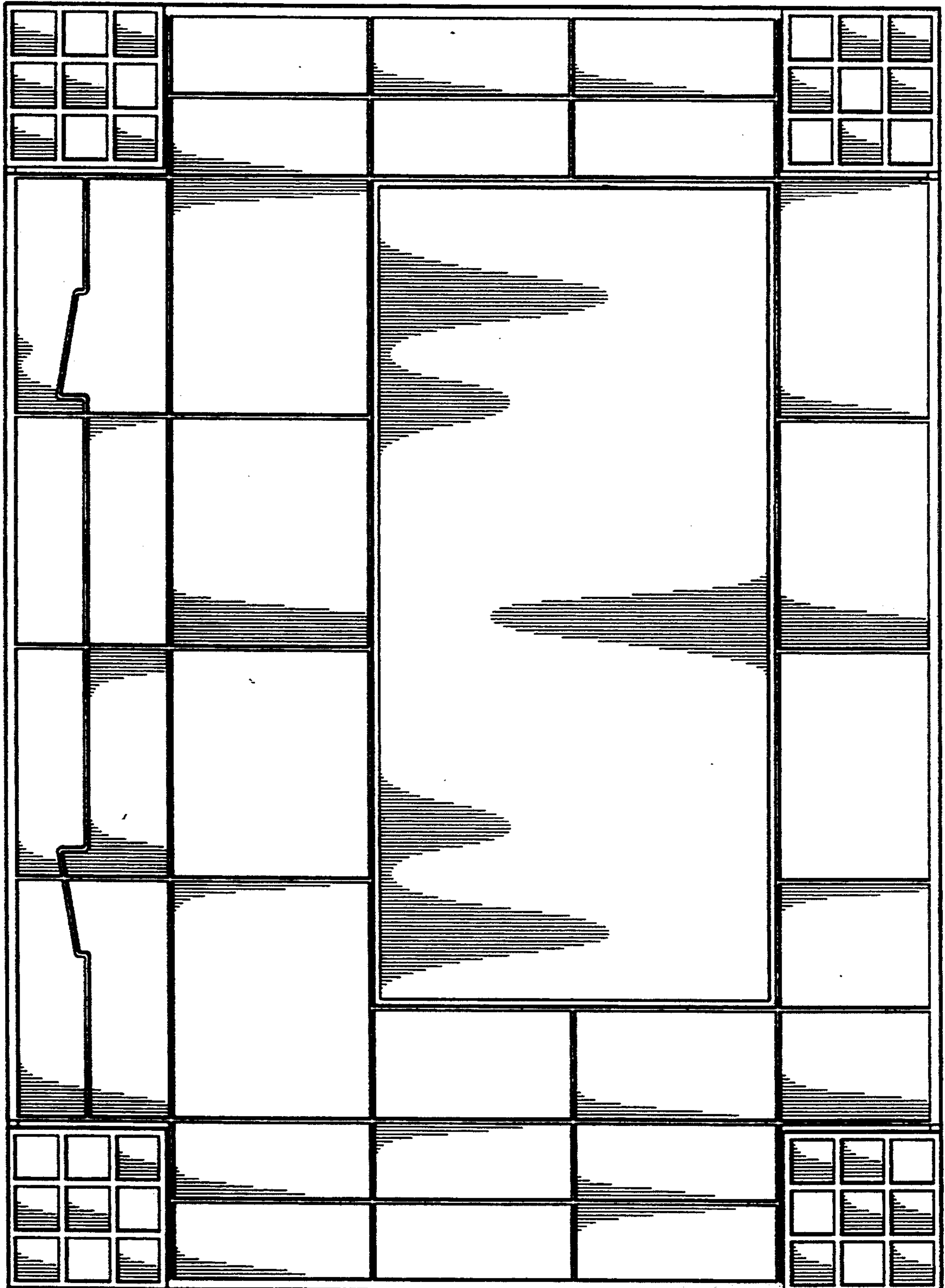


FIG. 6



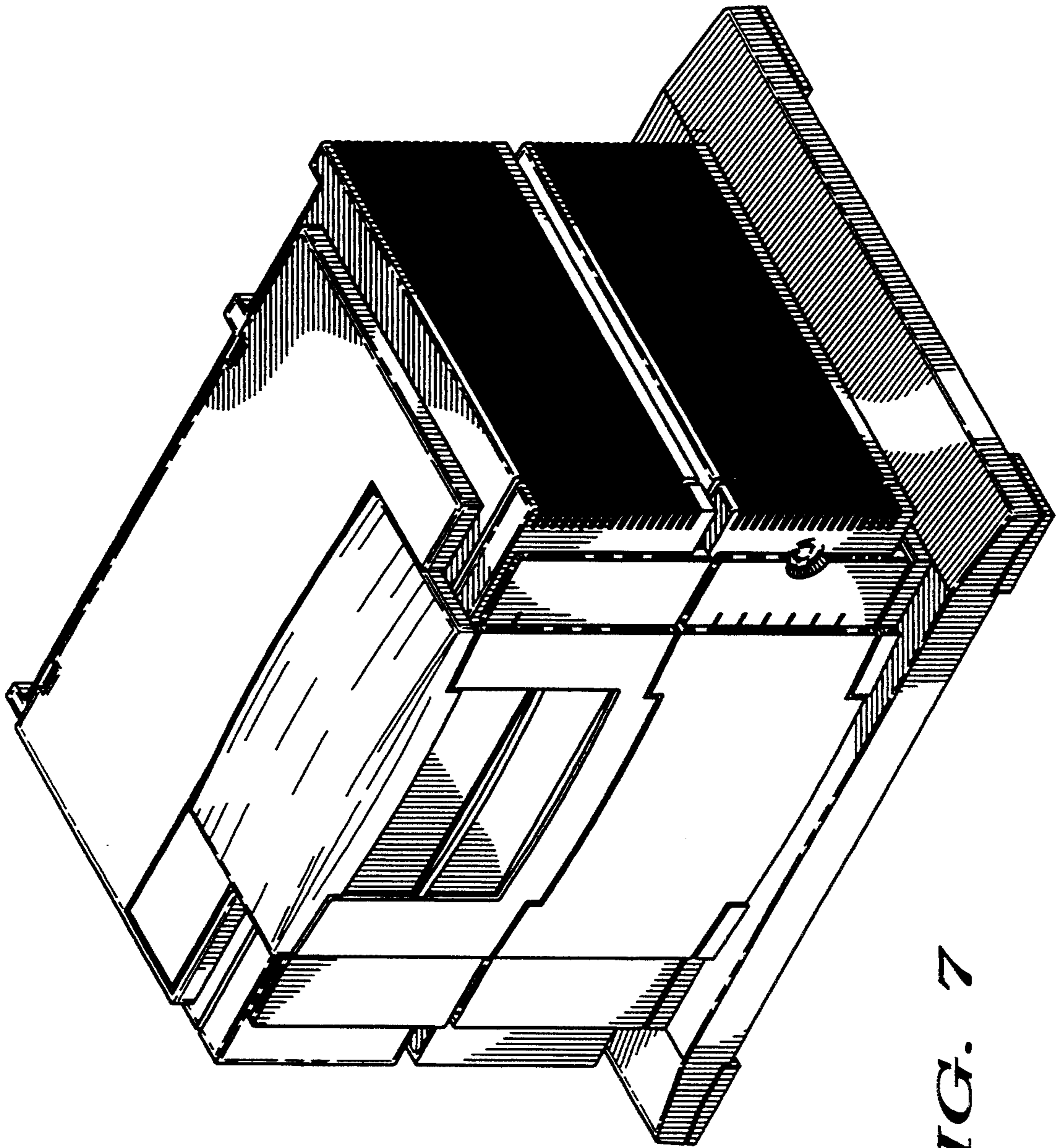


FIG. 7