



US00D359474S

# United States Patent [19]

[11] Patent Number: **Des. 359,474**

Palatov

[45] Date of Patent: **\*\* Jun. 20, 1995**

## [54] MODULAR DROP CHARGER FOR PORTABLE ELECTRONIC EQUIPMENT

[75] Inventor: **Dennis Palatov**, Lake Forest, Calif.

[73] Assignee: **Xtend Micro Products, Inc.**, Irvine, Calif.

[\*\*] Term: **14 Years**

[21] Appl. No.: **21,276**

[22] Filed: **Apr. 13, 1994**

[52] U.S. Cl. .... **D13/108**

[58] Field of Search ..... **D13/107, 108; 320/2, 320/3, 4, 15**

### [56] References Cited

#### U.S. PATENT DOCUMENTS

D. 227,123	6/1973	Sato	.....	D13/107
D. 278,426	4/1985	Lanci et al.	.....	D13/107
D. 321,855	11/1991	Ross, Jr.	.....	D13/107
D. 324,024	2/1992	Nagele et al.	.....	D13/108
D. 327,248	6/1992	Hotsumi et al.	.....	D13/108
D. 328,450	8/1992	Watanabe et al.	.....	D13/108
D. 336,631	6/1993	Ivester	.....	D13/108
D. 349,097	7/1994	Watanabe	.....	D13/108
D. 349,272	8/1994	Sage	.....	D13/107
3,896,364	7/1975	Reister	.....	320/2
4,109,193	9/1978	Schultheis	.....	320/2
4,829,224	5/1989	Gandelman et al.	.....	320/2
5,200,685	4/1993	Sakamoto	.....	320/2
5,233,281	8/1993	Chiang et al.	.....	320/2
5,280,229	1/1994	Faude et al.	.....	320/2

Primary Examiner—Joel Sincavage  
Attorney, Agent, or Firm—Hawes & Fischer

### [57] CLAIM

The ornamental design for a modular drop charger for portable electronic equipment, as shown and described.

### DESCRIPTION

FIG. 1 is a perspective view of a first embodiment of the

drop charger of the present invention which is configured to accept a pair of battery packs;

FIG. 2 is a top view of the first embodiment of the drop charger which was shown in FIG. 1;

FIG. 3 is a front view of the first embodiment of the drop charger which was shown in FIGS. 1 and 2;

FIG. 4 is a rear view of the first embodiment of the drop charger which was shown in FIGS. 1, 2, and 3;

FIG. 5 is a bottom view of the first embodiment of the drop charger which was shown in FIGS. 1, 2, 3, and 4;

FIG. 6 is a bottom view of the first embodiment of the drop charger which was shown in FIGS. 1, 2, 3, 4, and 5;

FIG. 7 is a perspective view of a second embodiment of the drop charger of the present invention having battery pack openings different from those shown with respect to the first embodiment;

FIG. 8 is a top view of the second embodiment shown in FIG. 7;

FIG. 9 is a front view of the second embodiment as is shown in FIGS. 7 and 8;

FIG. 10 is a perspective view of a third embodiment of the drop charger of the present invention having a battery pack opening different from those shown with respect to the first and second embodiments;

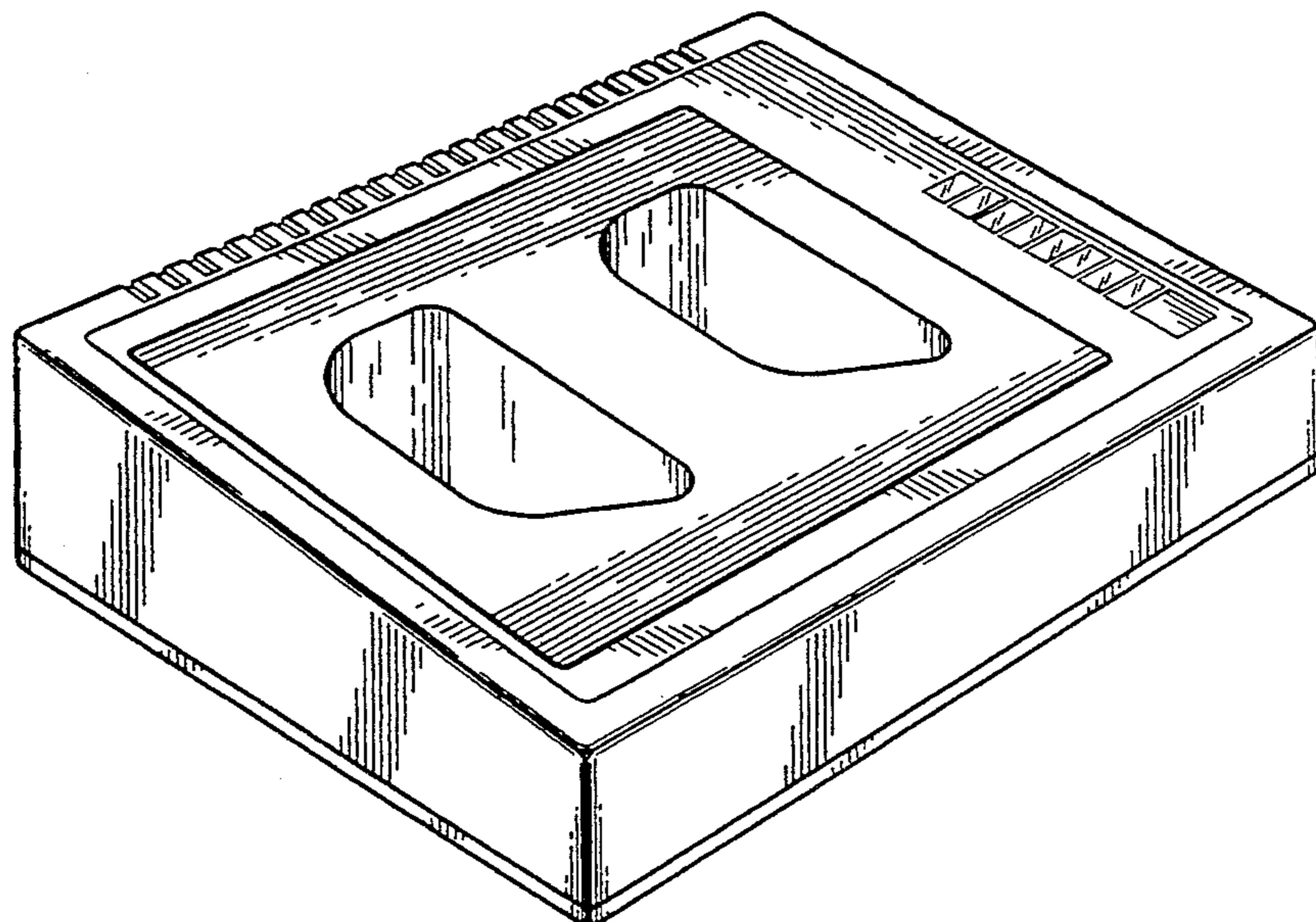
FIG. 11 is a top view of the third embodiment shown in FIG. 10;

FIG. 12 is a front view of the third embodiment as is shown in FIGS. 7 and 8;

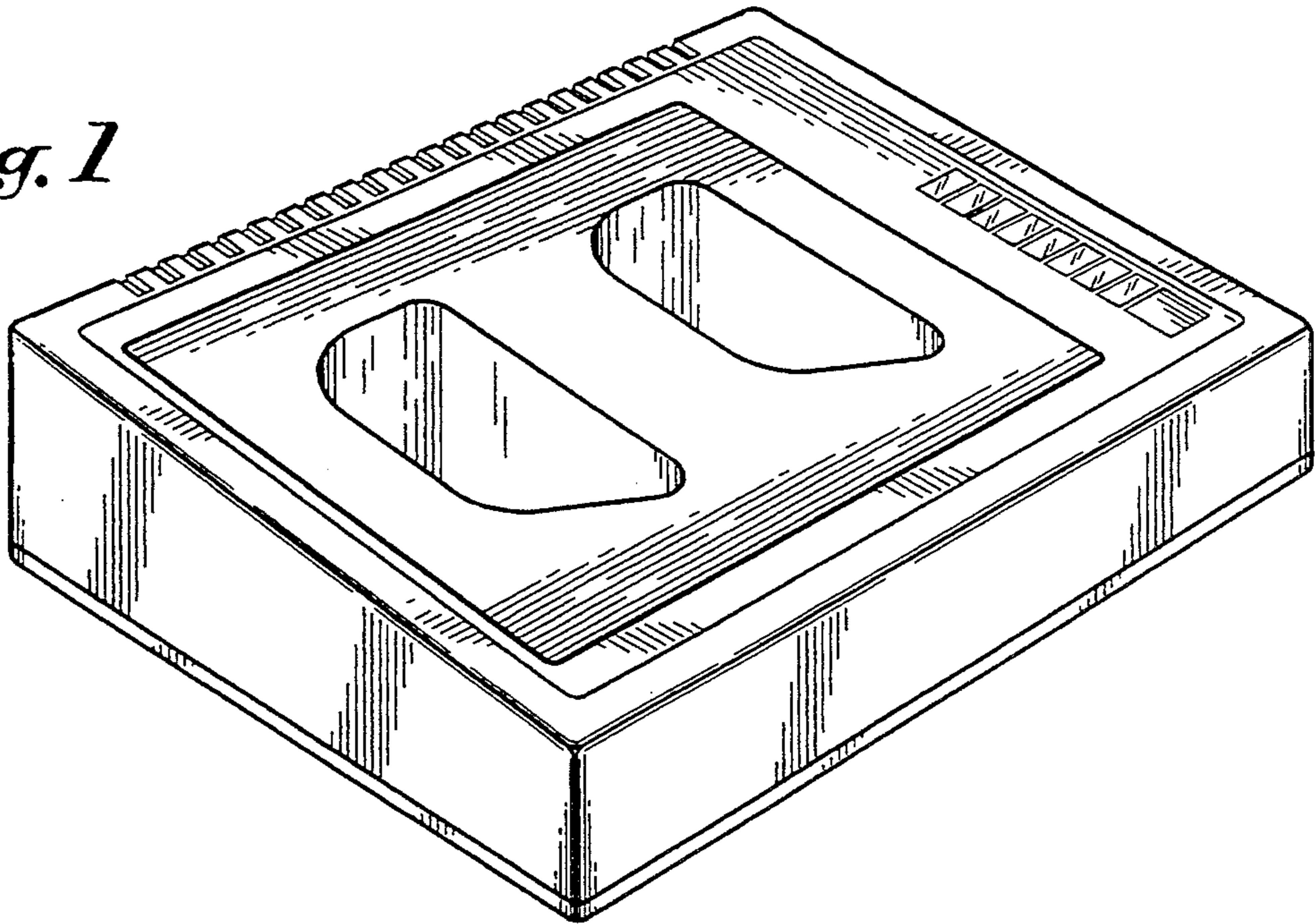
FIG. 13 is a perspective view of a fourth embodiment of the drop charger of the present invention having battery pack openings different from those shown with respect to the first, second and third embodiments;

FIG. 14 is a top view of the fourth embodiment shown in FIG. 13; and,

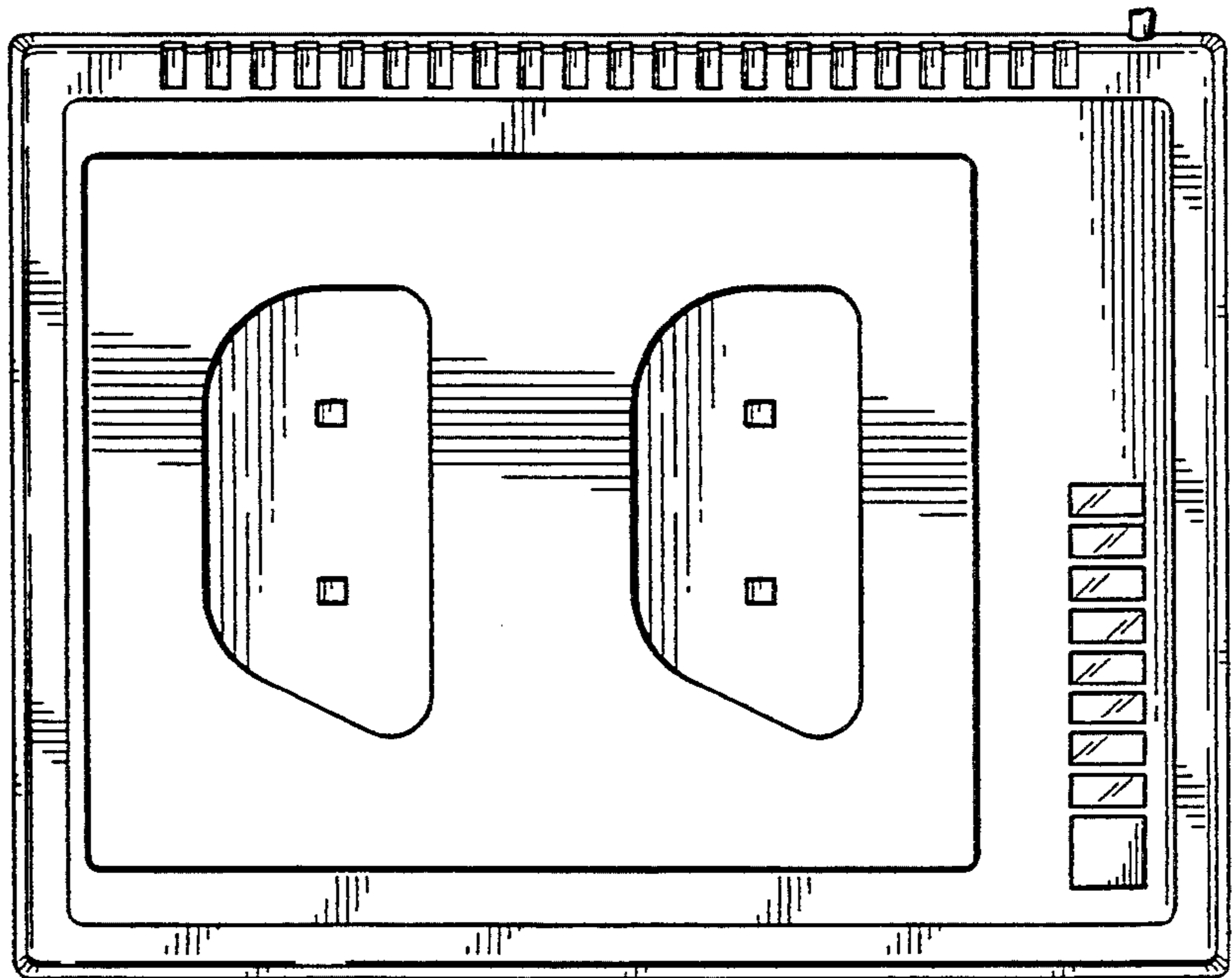
FIG. 15 is a front view of the fourth embodiment as is shown in FIGS. 13 and 14.



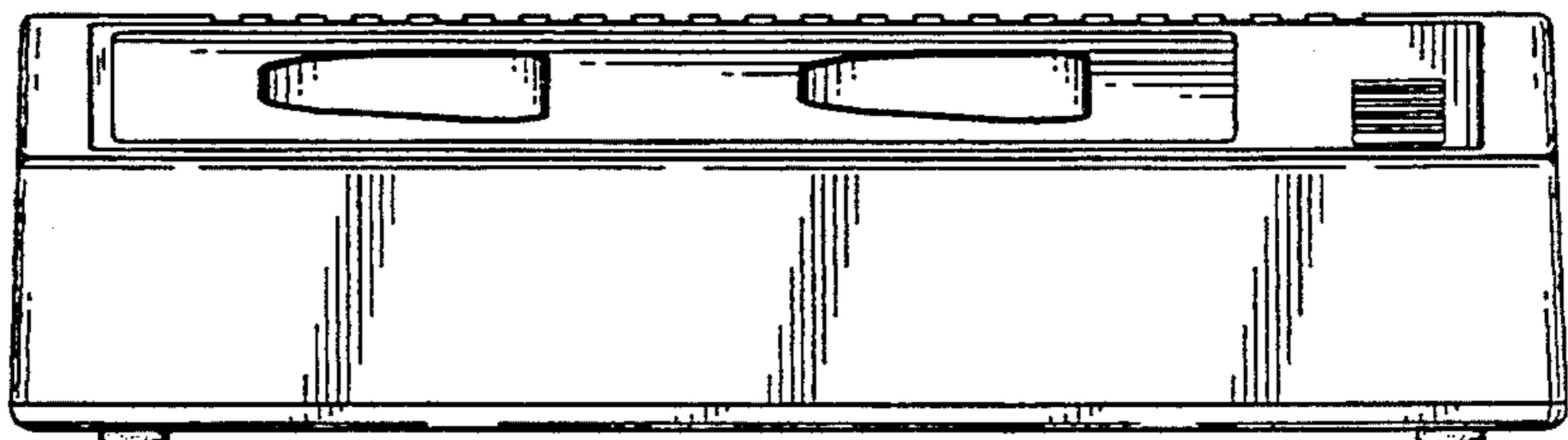
*Fig. 1*



*Fig. 2*

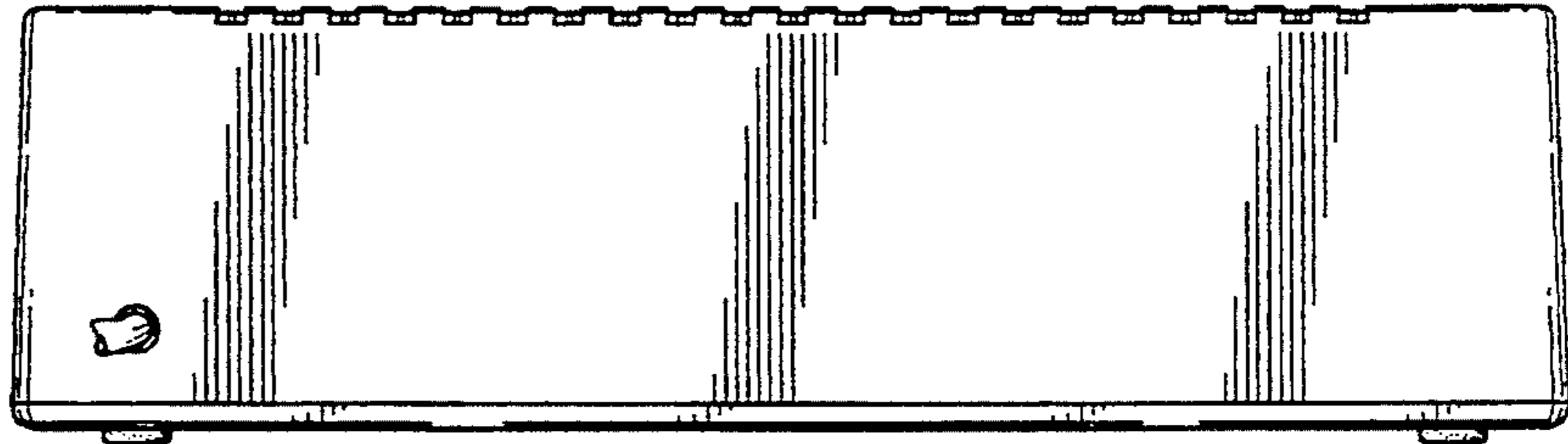


*Fig. 3*

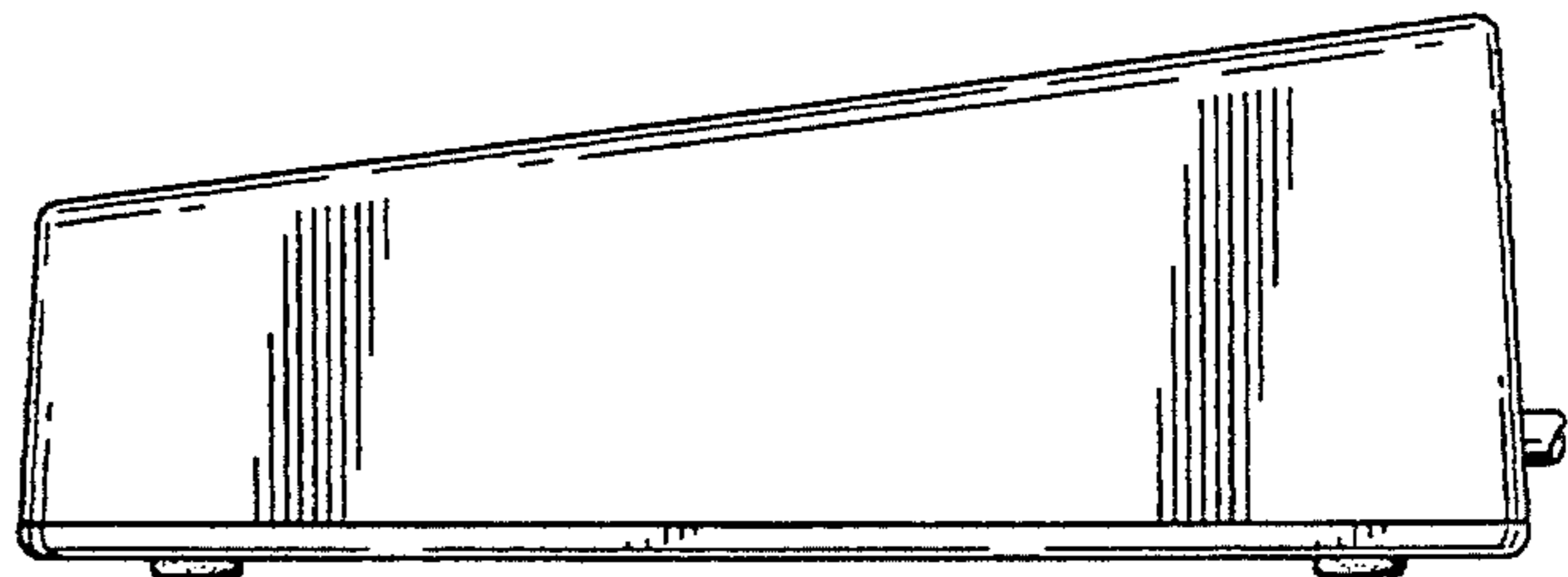
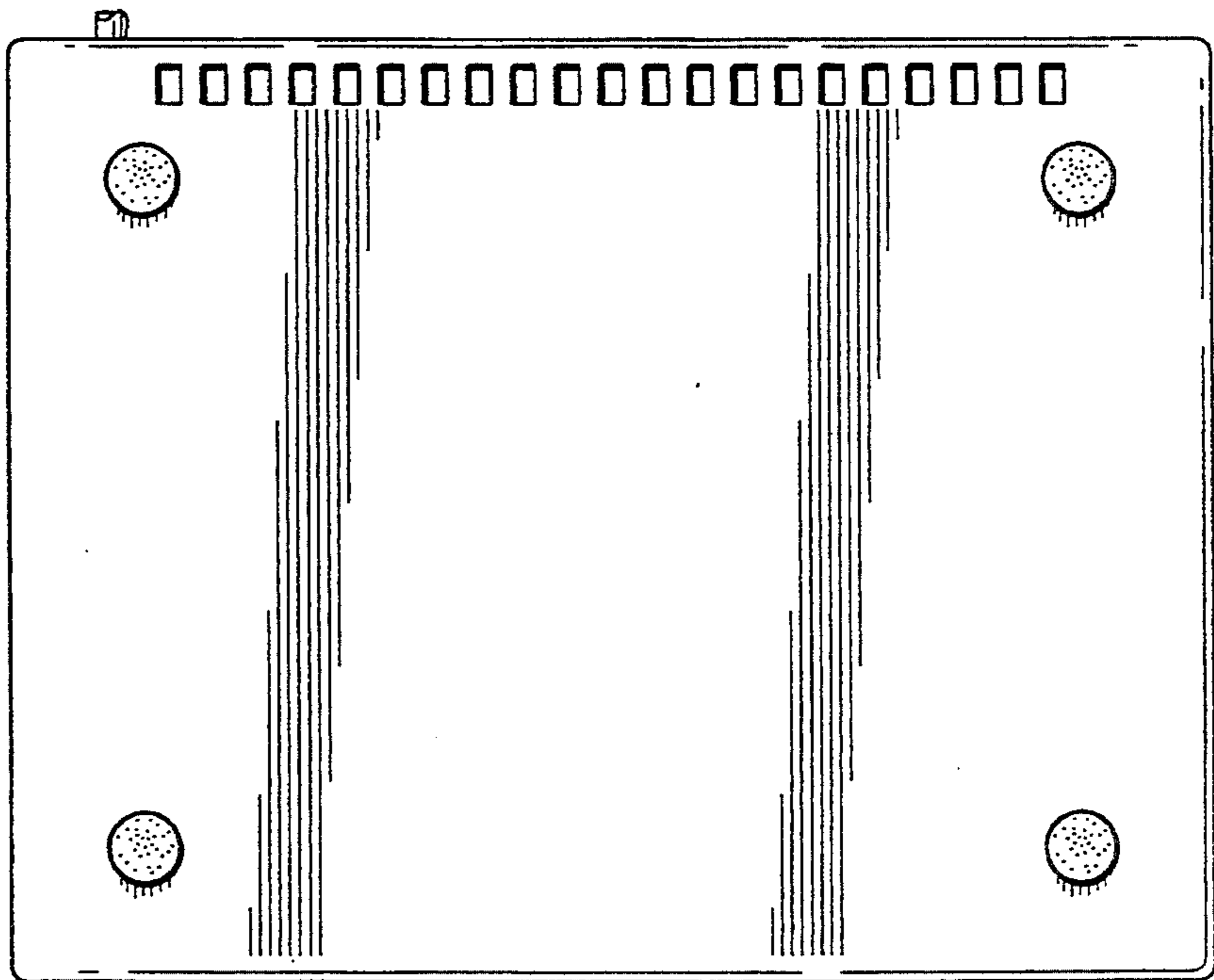




*Fig. 4*

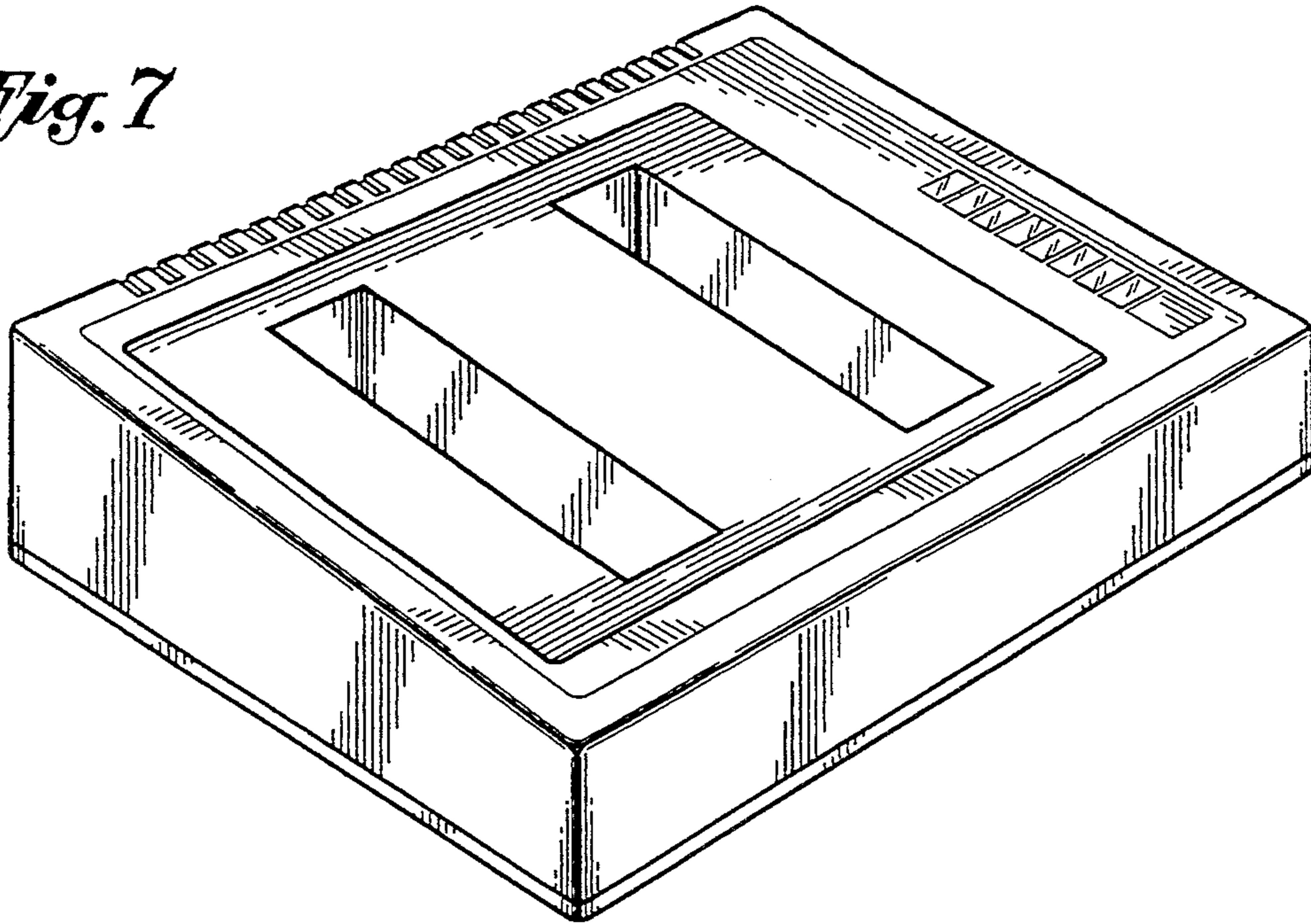


*Fig. 5*

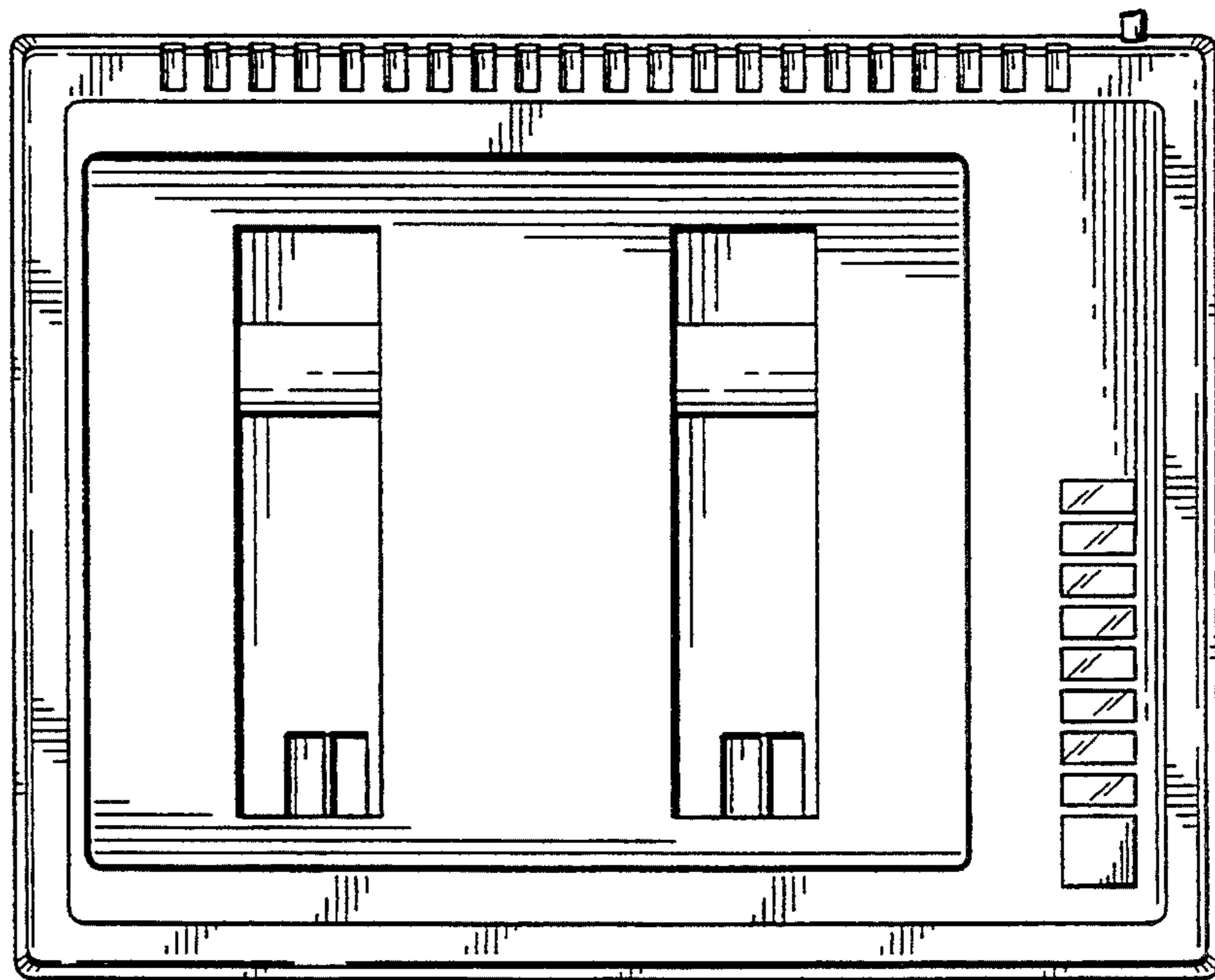


*Fig. 6*

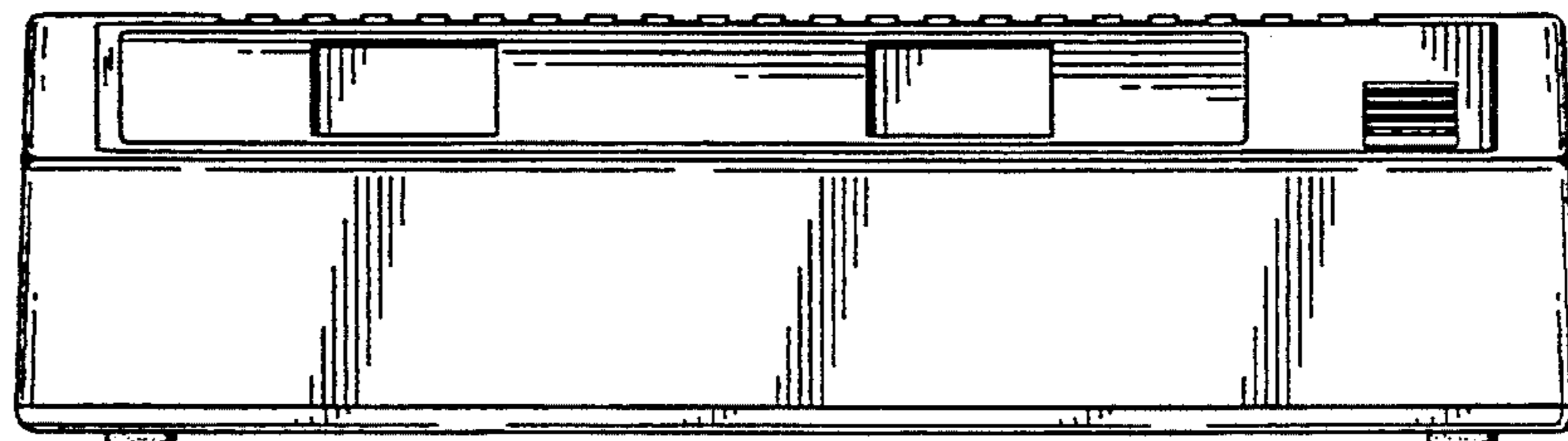
*Fig. 7*



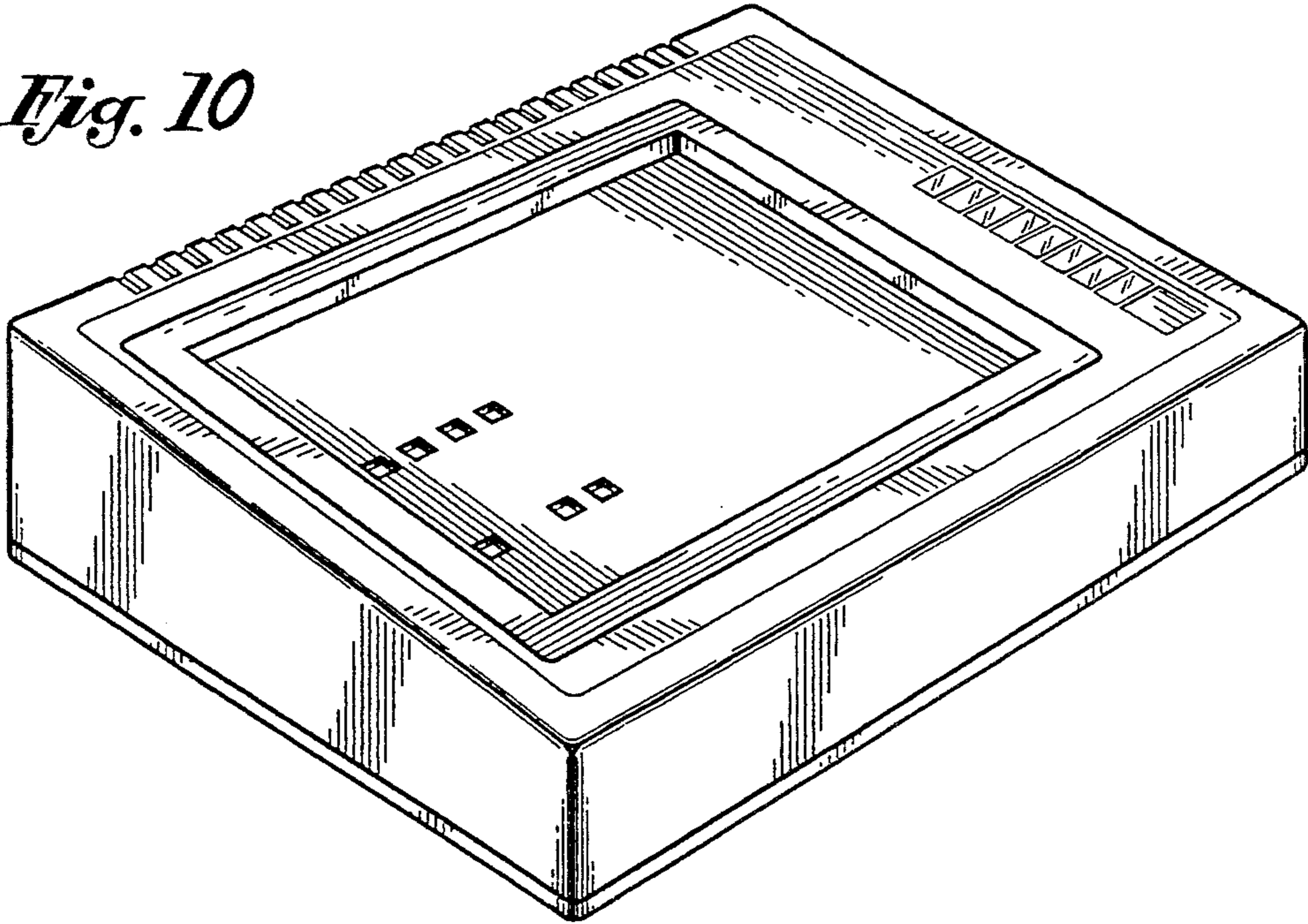
*Fig. 8*



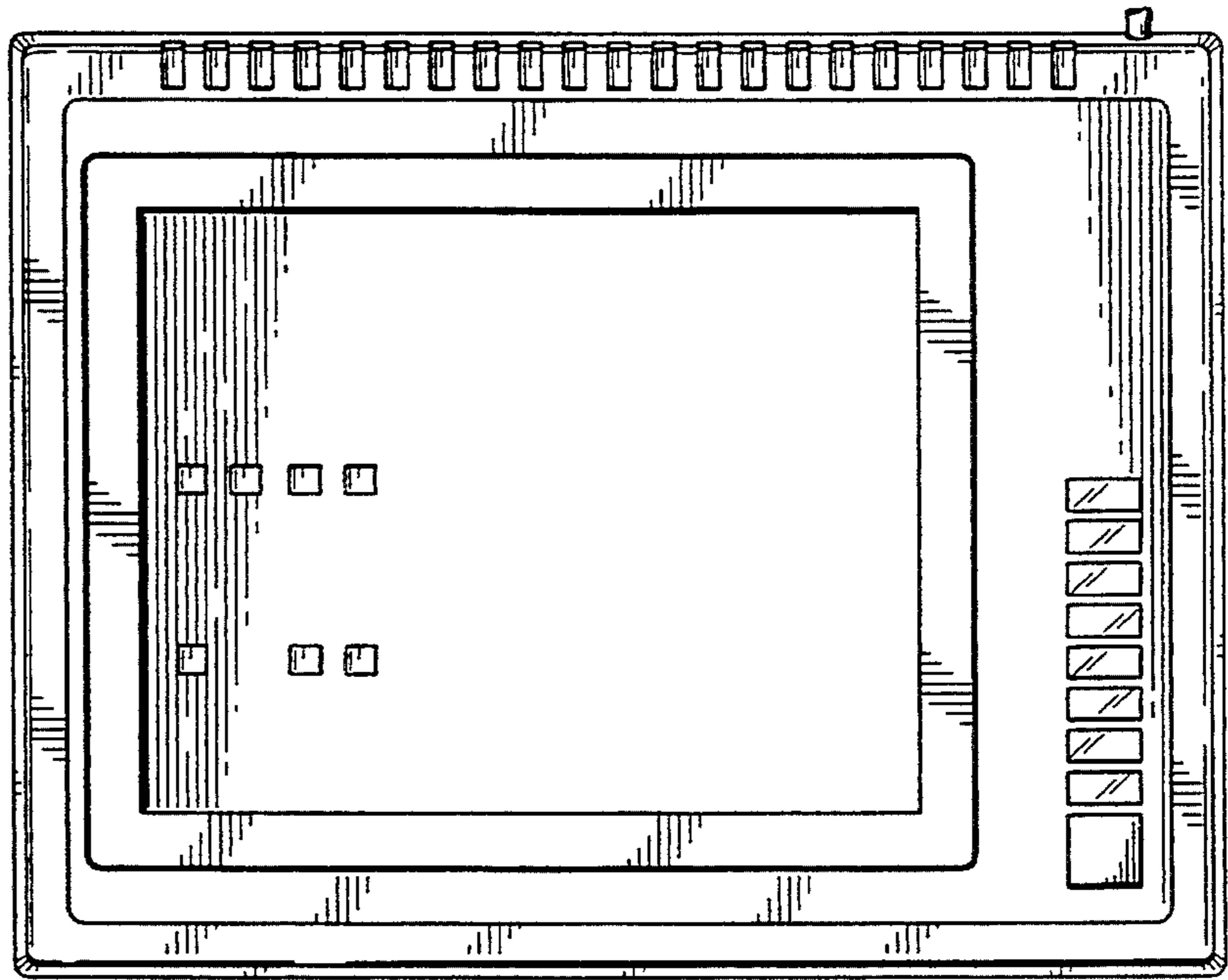
*Fig. 9*



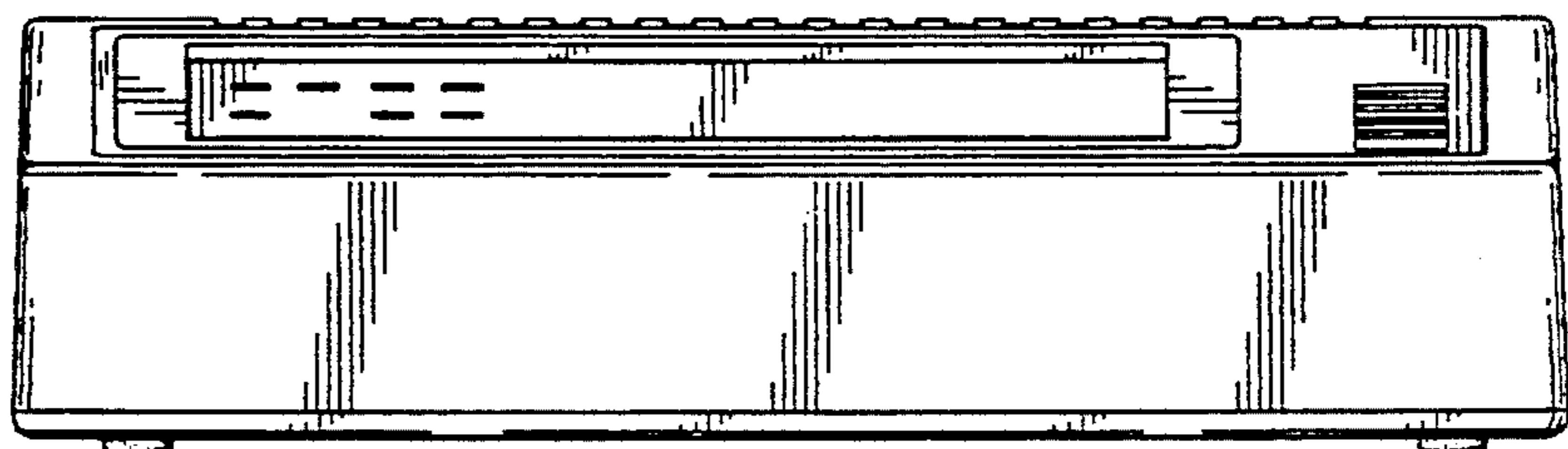
*Fig. 10*



*Fig. 11*

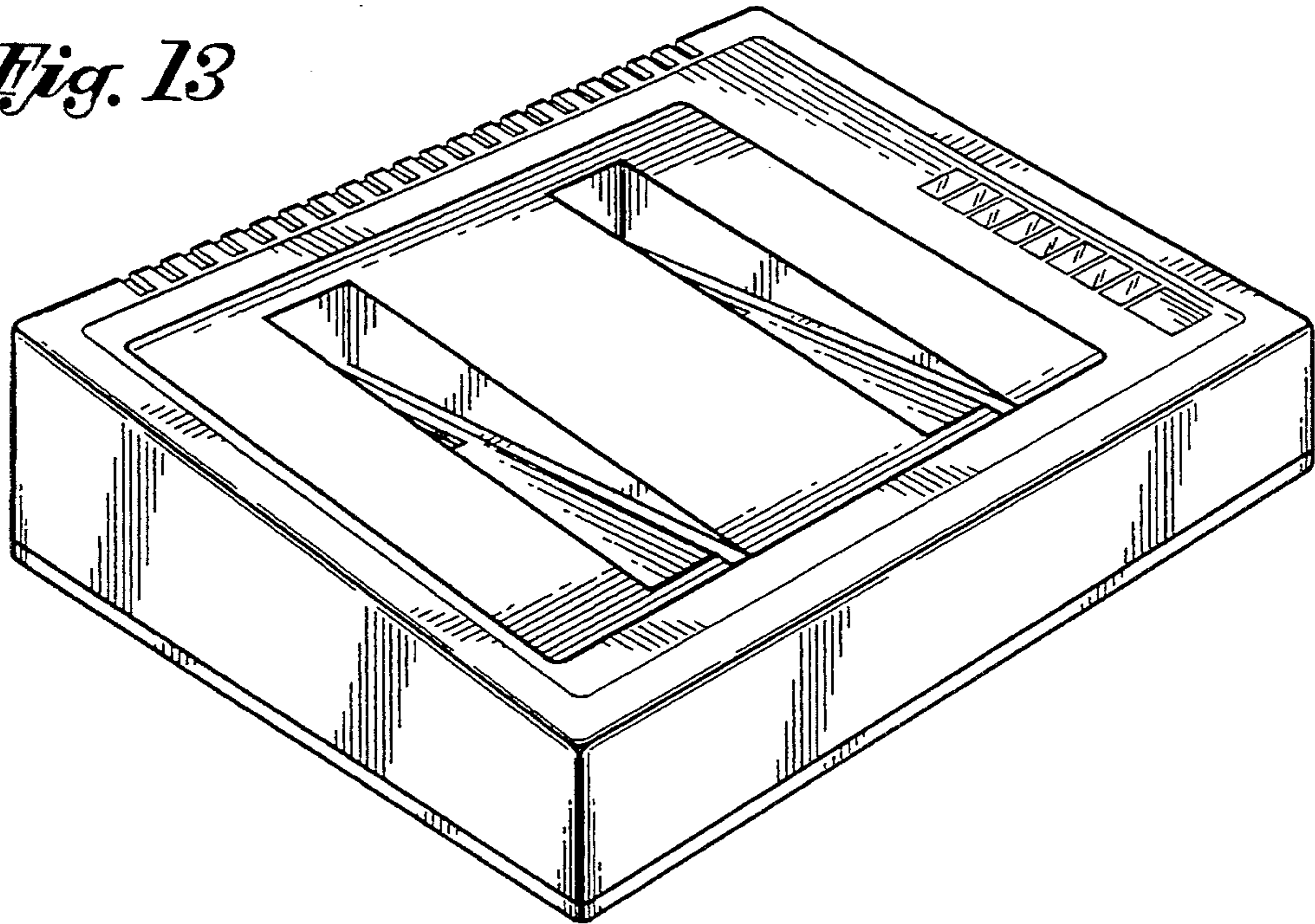


*Fig. 12*

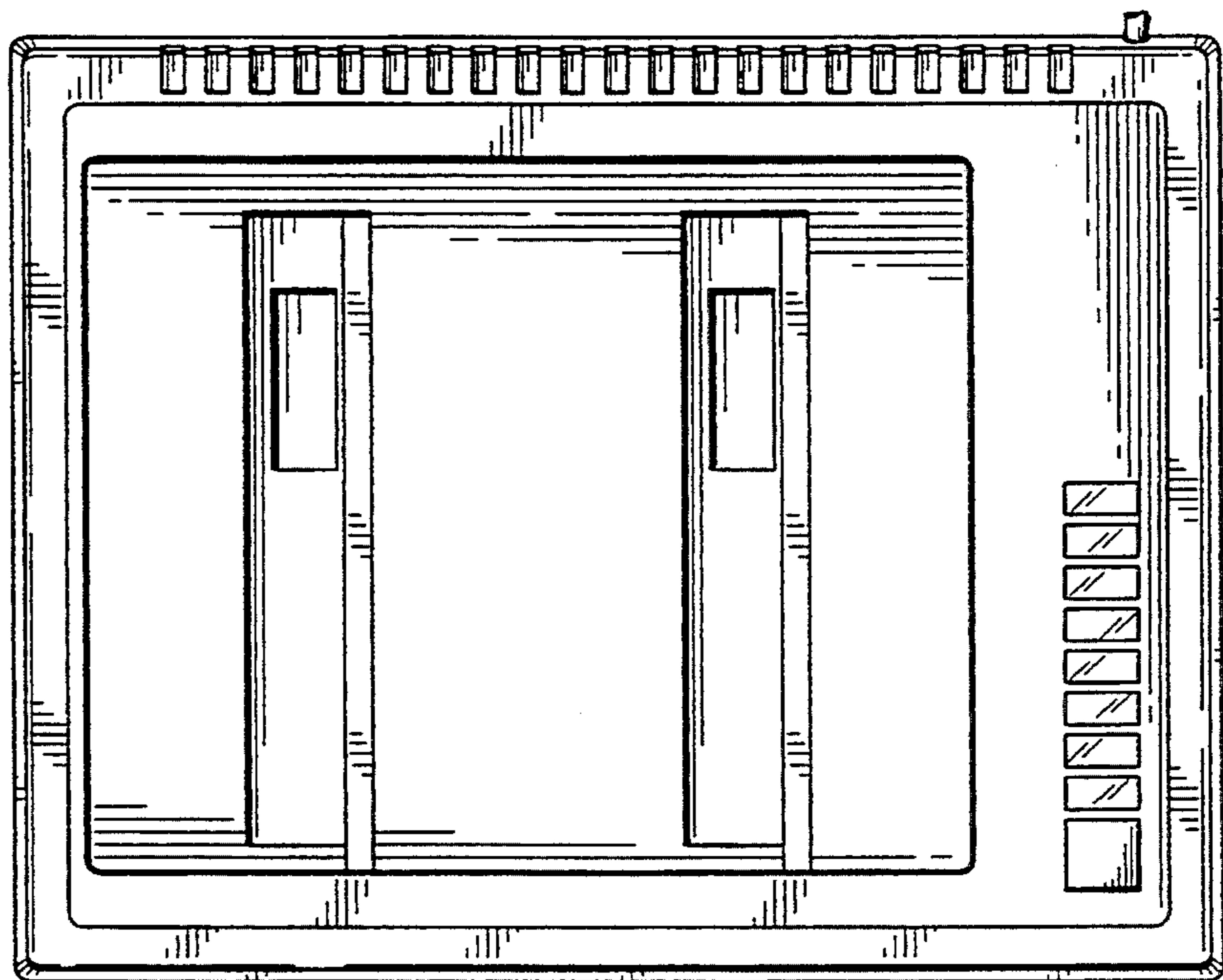




*Fig. 13*



*Fig. 14*



*Fig. 15*

