



US00D359473S

United States Patent [19]

[11] Patent Number: **Des. 359,473**

Haines

[45] Date of Patent: **** Jun. 20, 1995**

[54] **CAR TOP CARRIER FOR TRANSPORTING BUILDING HOUSEHOLD AND SPORTING MATERIALS**

5,014,890 5/1991 Perry 224/324

[76] Inventor: **Philip Haines**, 3400 Strand, Manhattan Beach, Calif. 90266

Primary Examiner—James M. Gandy
Attorney, Agent, or Firm—Robert M. Sperry

[**] Term: **14 Years**

[57] **CLAIM**

[21] Appl. No.: **14,600**

The ornamental design for a car top carrier for transporting building, household and sporting materials, as shown and described.

[22] Filed: **Oct. 27, 1993**

[52] U.S. Cl. **D12/412**

[58] Field of Search D12/157; 224/309, 314, 224/318, 324, 329

DESCRIPTION

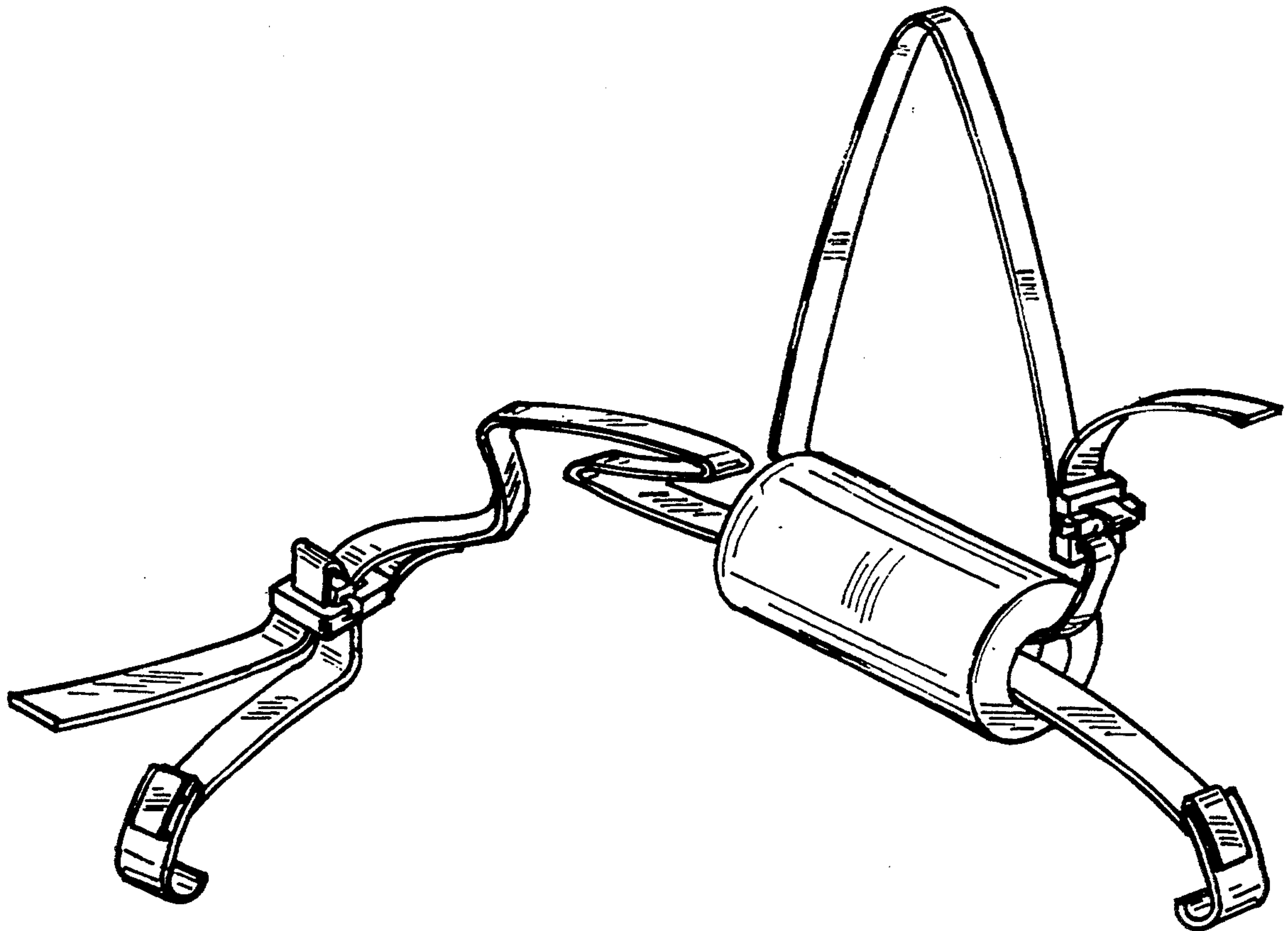
[56] **References Cited**

U.S. PATENT DOCUMENTS

2,983,413	5/1961	Verwers	224/324
4,007,862	2/1977	Heftmann	224/329
4,402,442	9/1983	Martino	224/324

FIG. 1 is an isometric view of a car top carrier for transporting building, household and sporting materials embodying my new design; and, FIG. 2 is a side view of the car top carrier for transporting building, household and sporting materials of FIG. 1 mounted on a vehicle roof.

The broken line showing of a car roof and transported material in FIG. 2 of the drawing is for illustrative purposes only and forms no part of the claimed design.



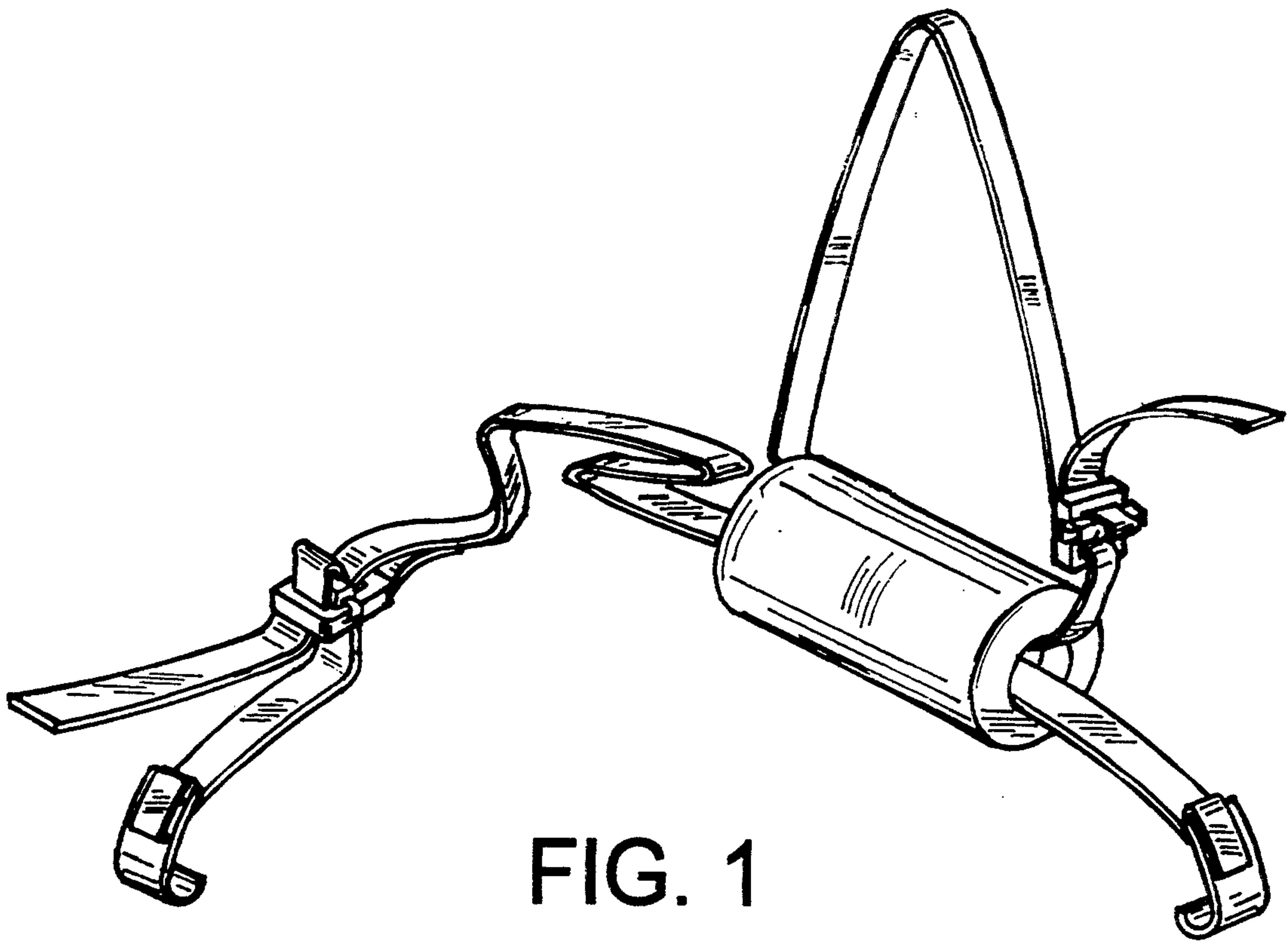


FIG. 1

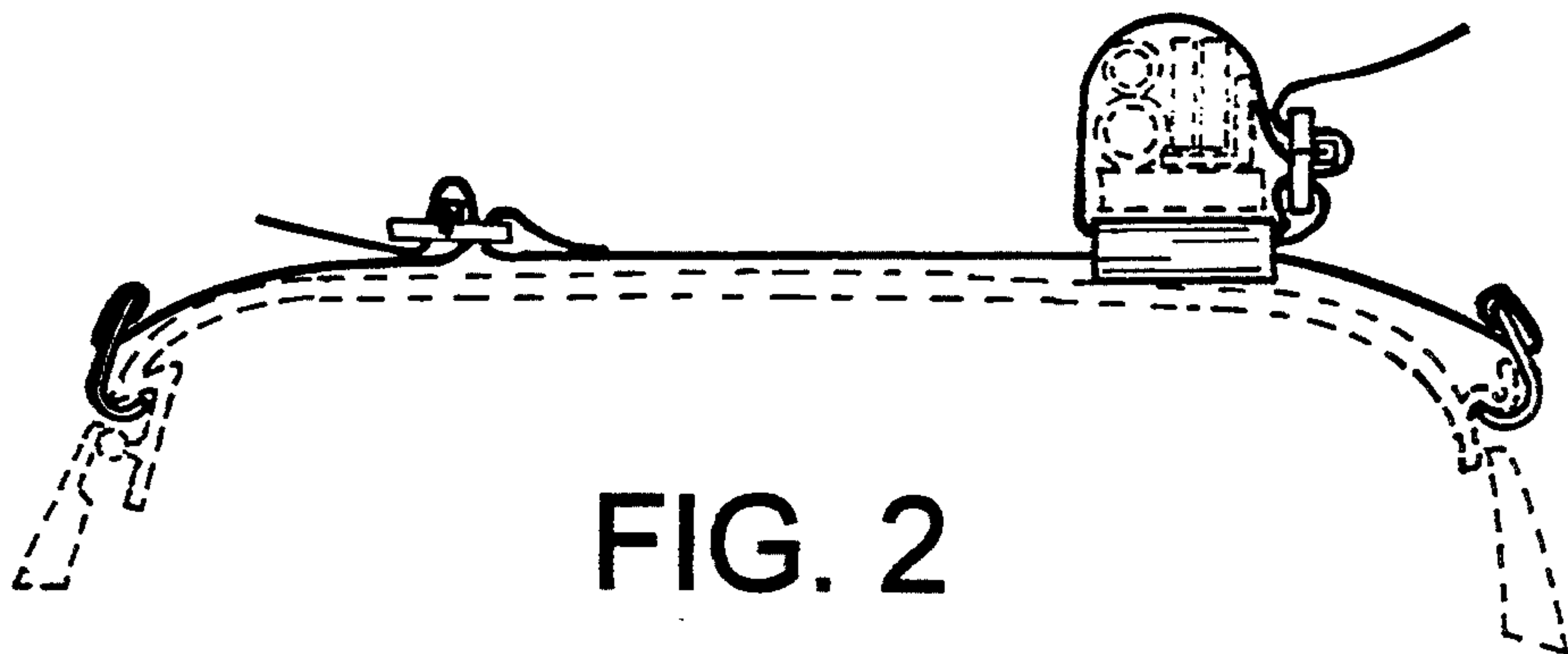


FIG. 2