



US00D359472S

United States Patent [19]
Day

[11] **Patent Number: Des. 359,472**

[45] **Date of Patent: ** Jun. 20, 1995**

[54] **AIRCRAFT**

[76] **Inventor: Harold L. Day, 22631-B Maple Ave., Torrance, Calif. 90505**

[**] **Term: 14 Years**

[21] **Appl. No.: 24,680**

[22] **Filed: Jun. 20, 1994**

[52] **U.S. Cl. D12/343; D12/319**

[58] **Field of Search D12/319, 324, 343; 244/45 R, 45 A, 55, 91**

[56] **References Cited**

U.S. PATENT DOCUMENTS

D. 255,342 6/1980 Dornier D12/324

OTHER PUBLICATIONS

Flight Intl., 16 Feb. 1980, p. 460, "Peregrine 600".

Primary Examiner—Kay H. Chin

Attorney, Agent, or Firm—Edward A. Sokolski

[57] **CLAIM**

The ornamental design for an aircraft, as shown and described.

DESCRIPTION

FIG. 1 is a top left perspective view of an aircraft showing my new design;

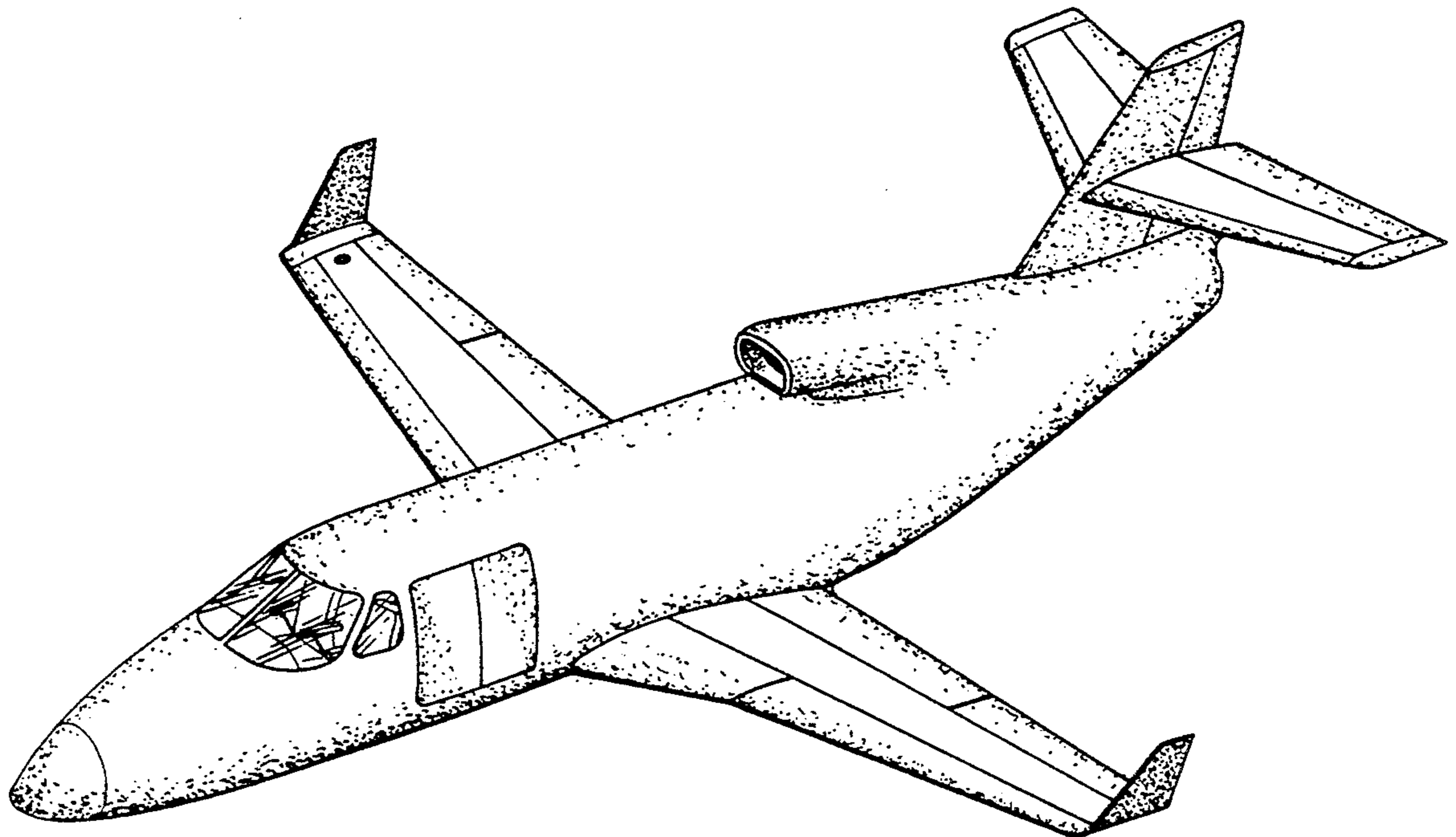
FIG. 2 is a left side elevational view thereof;

FIG. 3 is a top plan view thereof;

FIG. 4 is a bottom plan view thereof;

FIG. 5 is a front elevational view thereof; and,

FIG. 6 is a rear elevational view thereof.



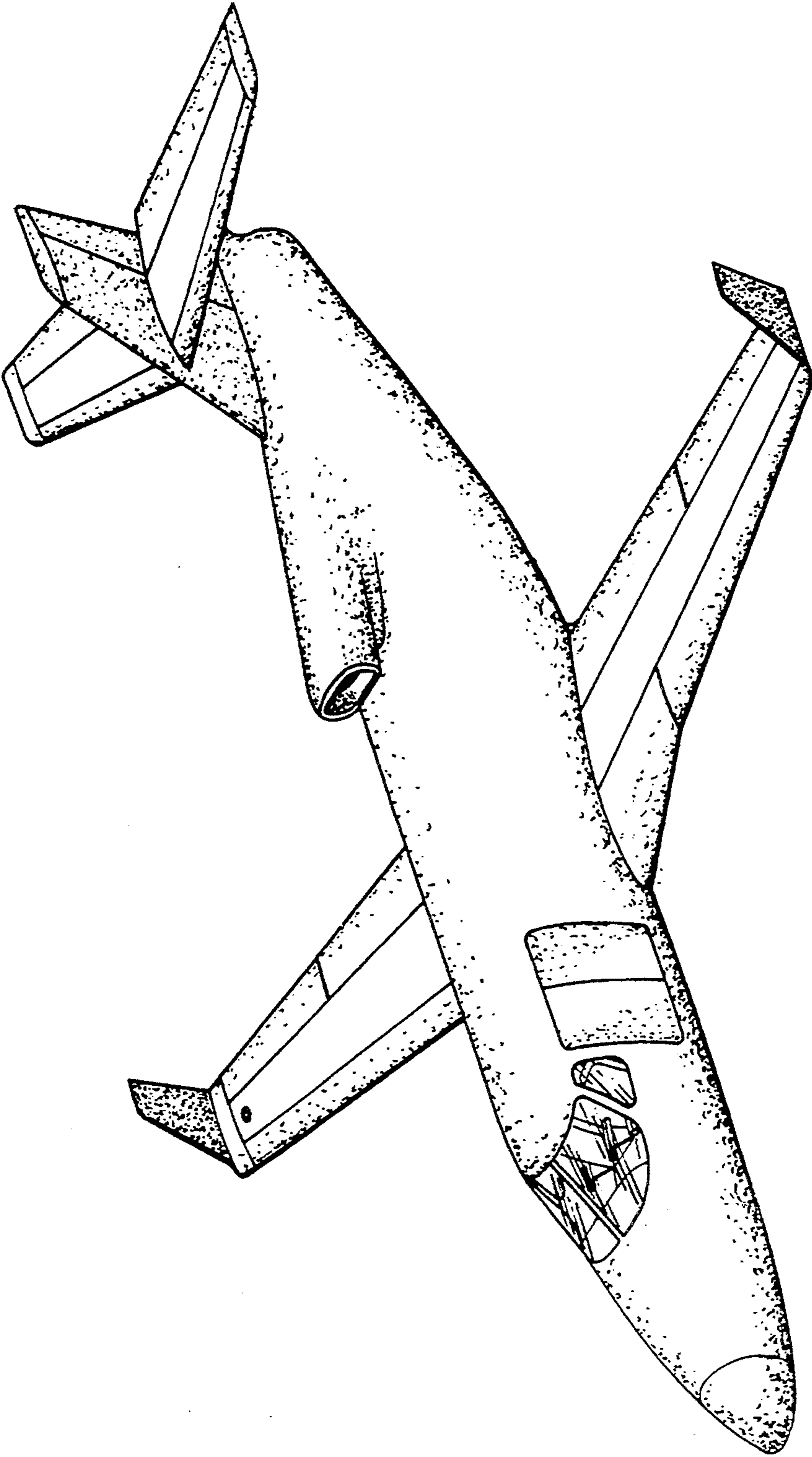


FIGURE 1

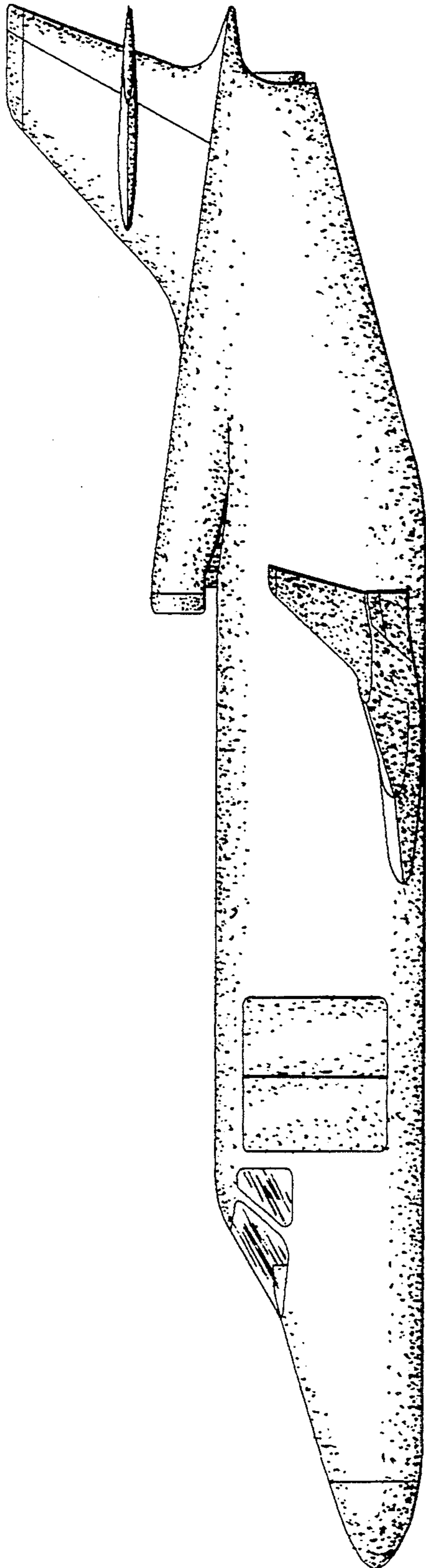


FIGURE 2

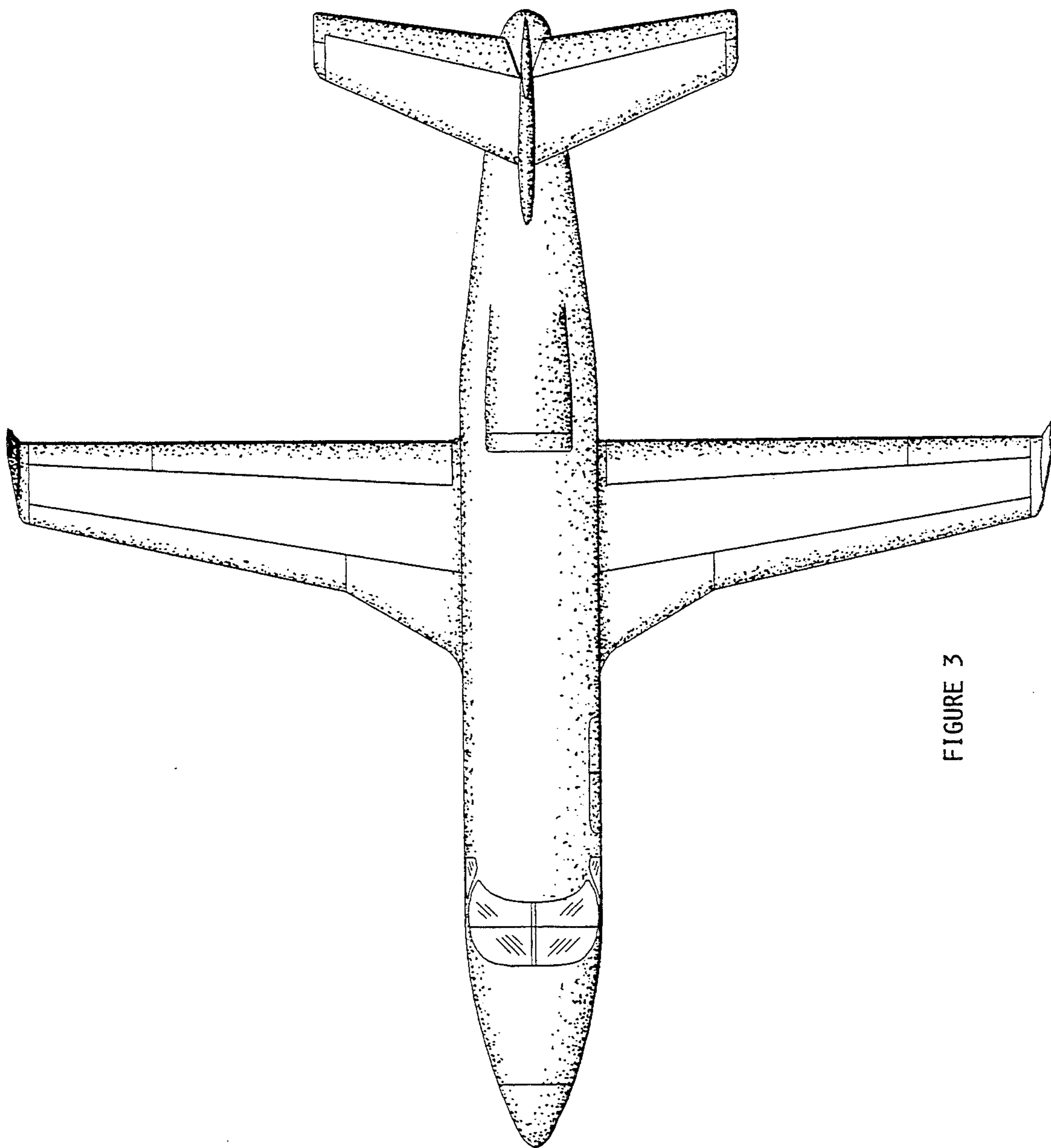


FIGURE 3

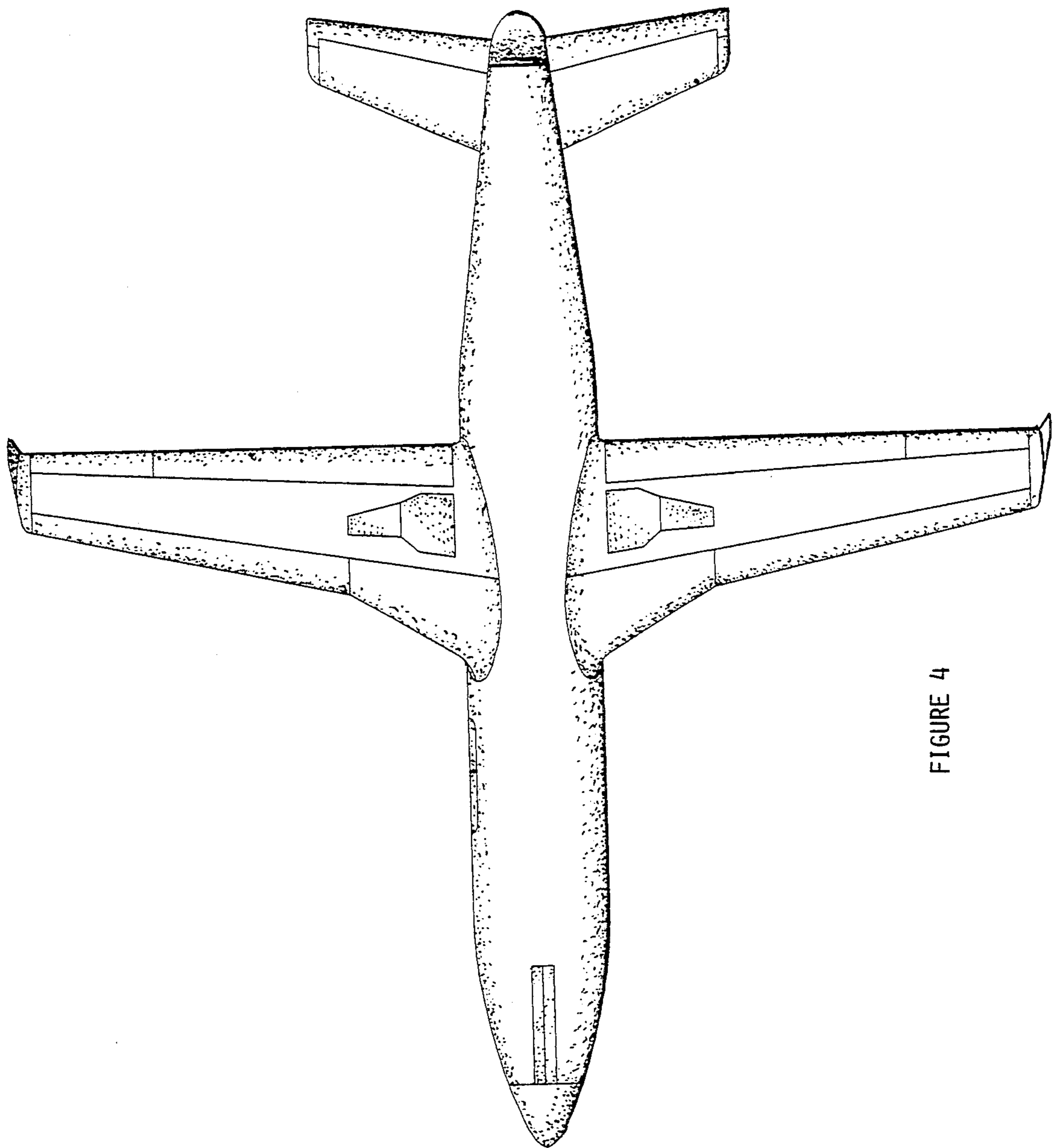


FIGURE 4

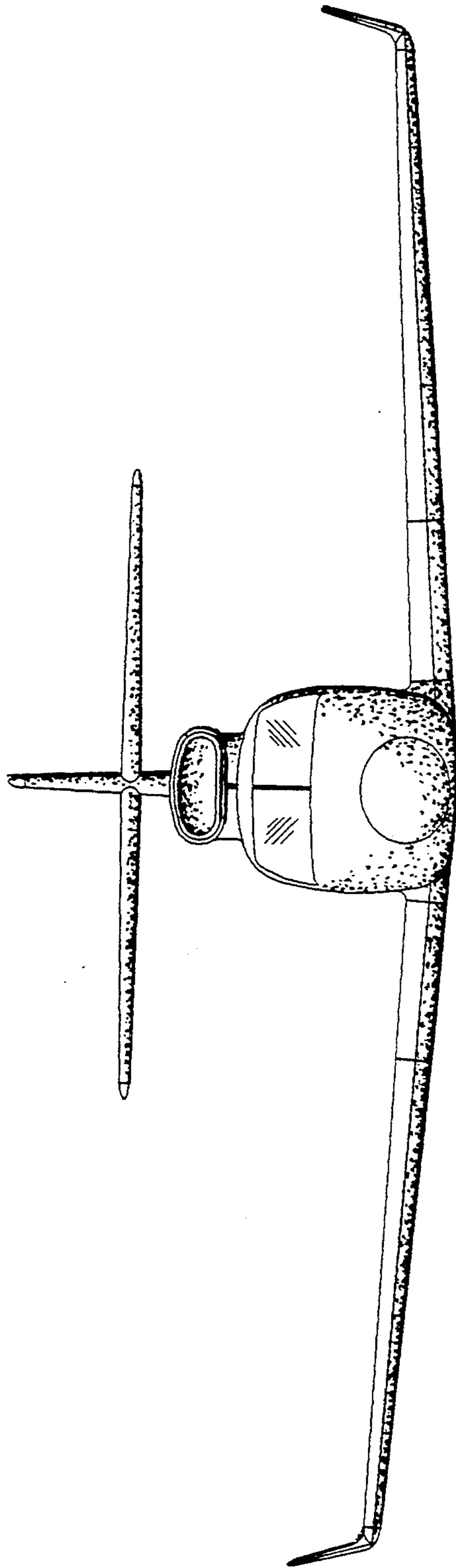


FIGURE 5

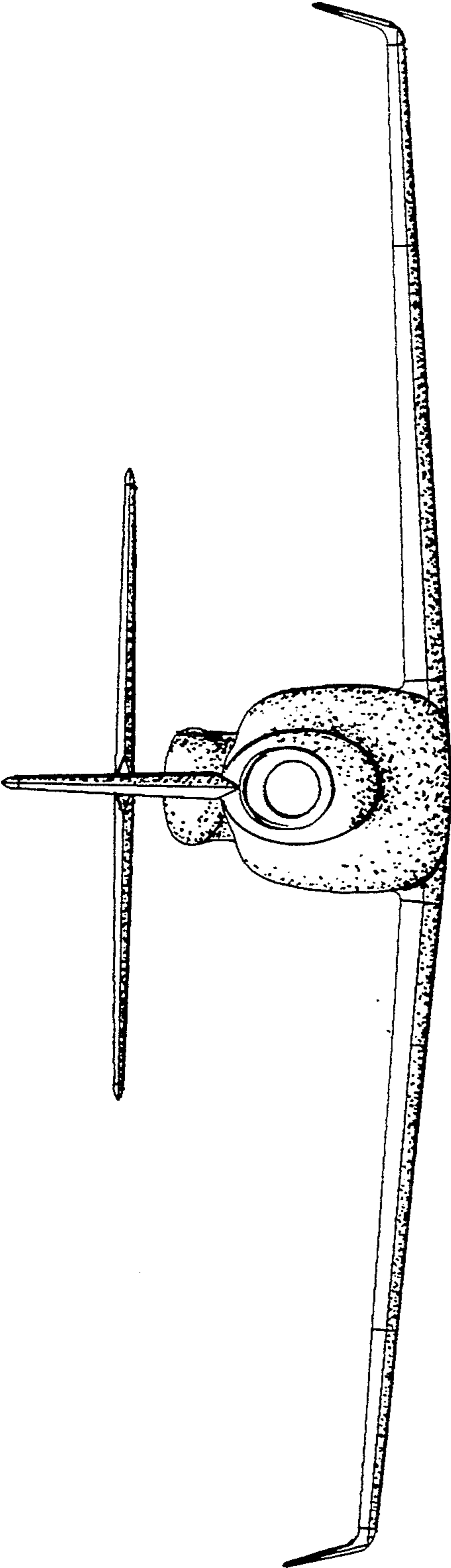


FIGURE 6