



US00D359470S

United States Patent [19]

[11] Patent Number: **Des. 359,470**

Allyn

[45] Date of Patent: **** Jun. 20, 1995**

[54] **BOAT LADDER**

4,724,925 2/1988 Ritten .

[76] Inventor: **William B. Allyn**, P.O. Box 200,
Pomona Park, Fla. 32181

4,768,618 9/1988 Ritten .

4,846,303 7/1989 Cooper et al. 114/362

5,117,940 6/1992 Garelick .

[**] Term: **14 Years**

Primary Examiner—Doris Clark

[21] Appl. No.: **21,801**

[57] **CLAIM**

[22] Filed: **Apr. 25, 1994**

The ornamental design for the boat ladder, as shown and described.

[52] U.S. Cl. **D12/317; D25/64**

[58] Field of Search **D25/64, 62;**
D12/317-318; 182/86, 91, 92, 93, 97, 106-108,
206; 114/362, 343

DESCRIPTION

FIG. 1 is a side elevational view of the boat ladder showing my new design;

FIG. 2 is the opposite side view thereof;

FIG. 3 is a rear elevational view thereof;

FIG. 4 is a front elevational view thereof;

FIG. 5 is a top plan view thereof;

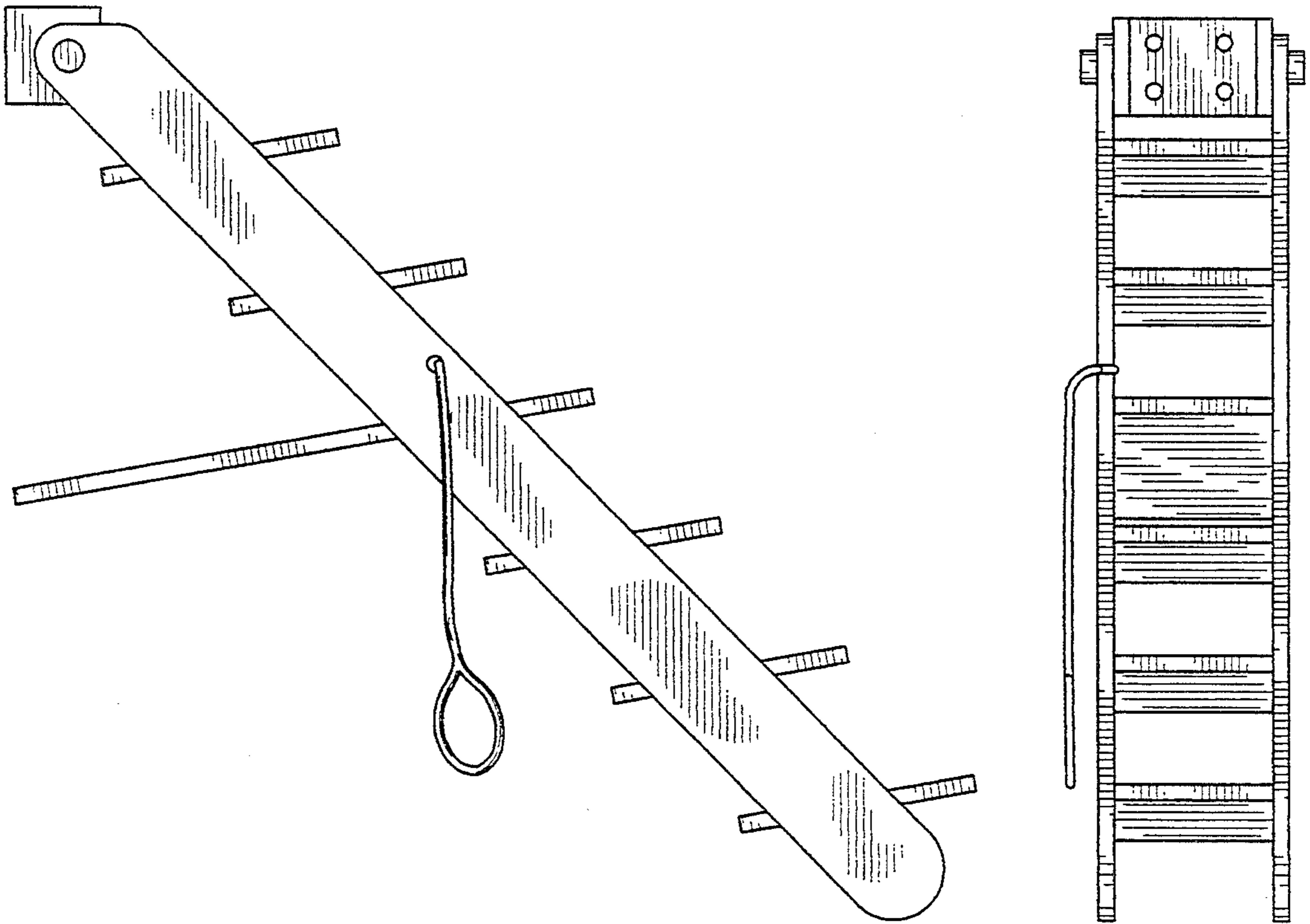
FIG. 6 is a bottom plan view thereof; and,

FIG. 7 is a side elevational view thereof, the broken lines showing the transom of a boat is for illustrative purposes only, and forms no part of the claimed design.

[56] References Cited

U.S. PATENT DOCUMENTS

D. 275,798	10/1984	Zuda et al.	D25/64
D. 334,731	4/1993	McCarty	D12/317
3,590,952	7/1971	Thomas et al. .	
4,153,137	5/1979	Johnson	182/97
4,157,131	6/1979	Bazyk .	



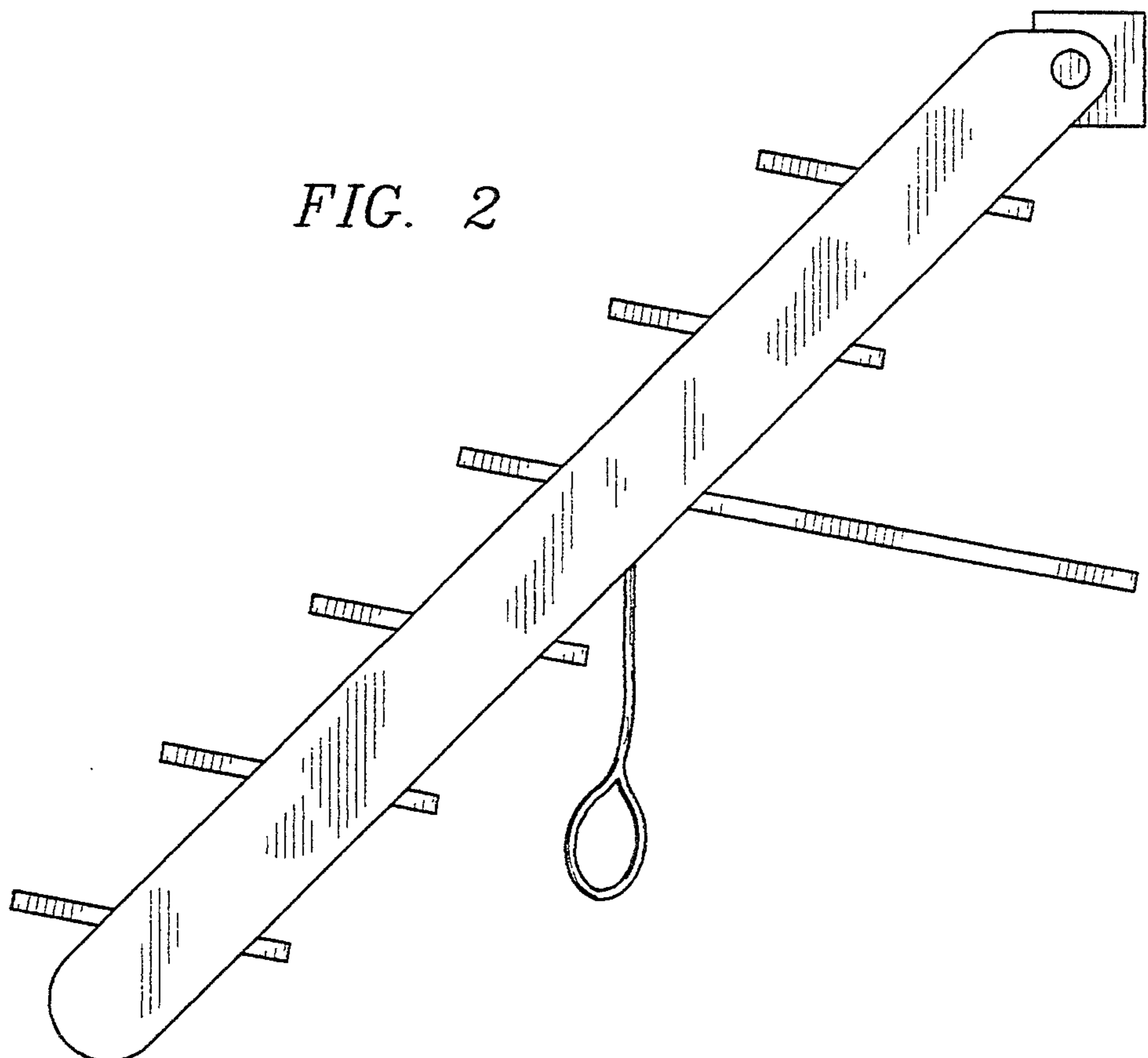
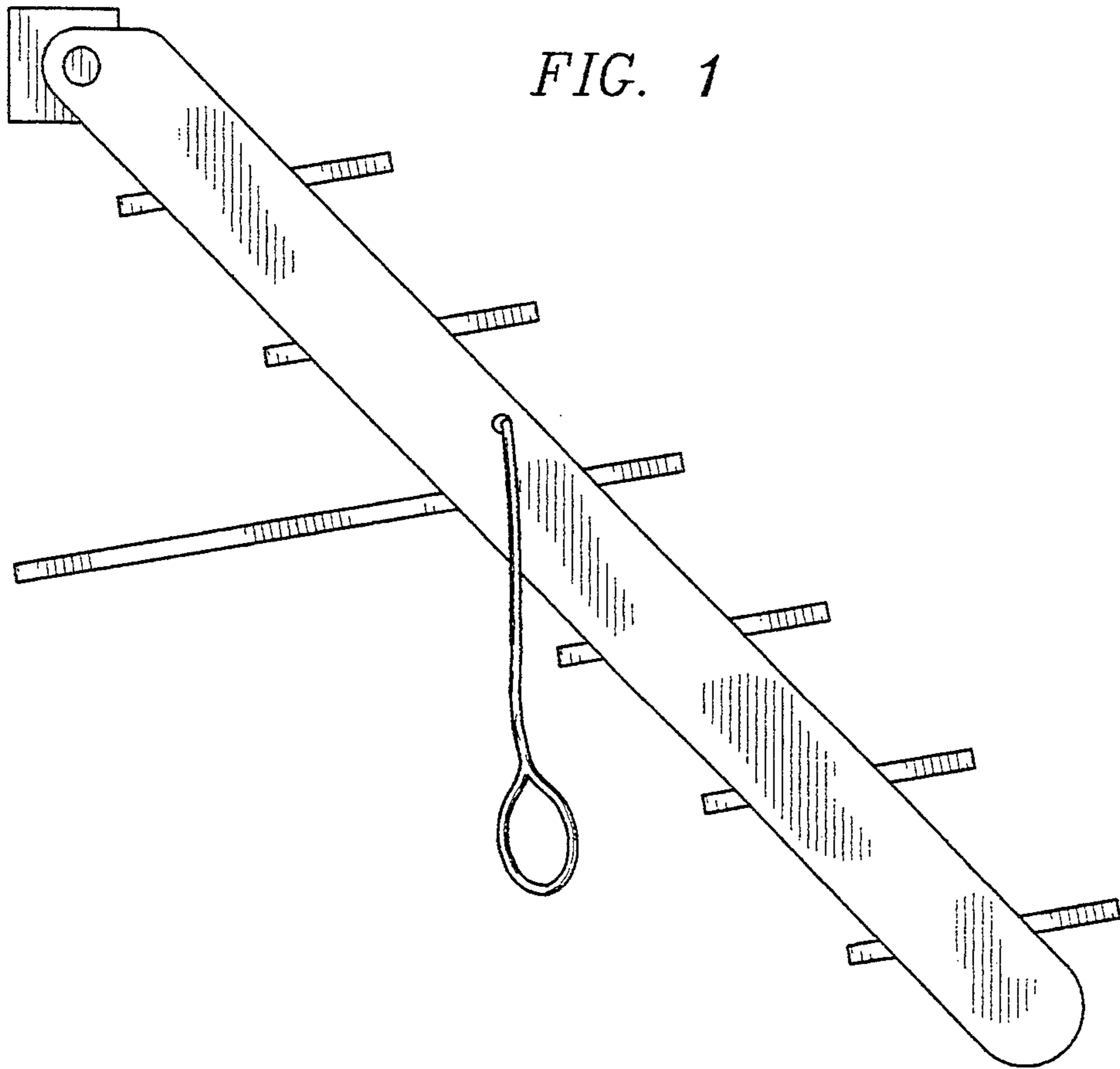


FIG. 3

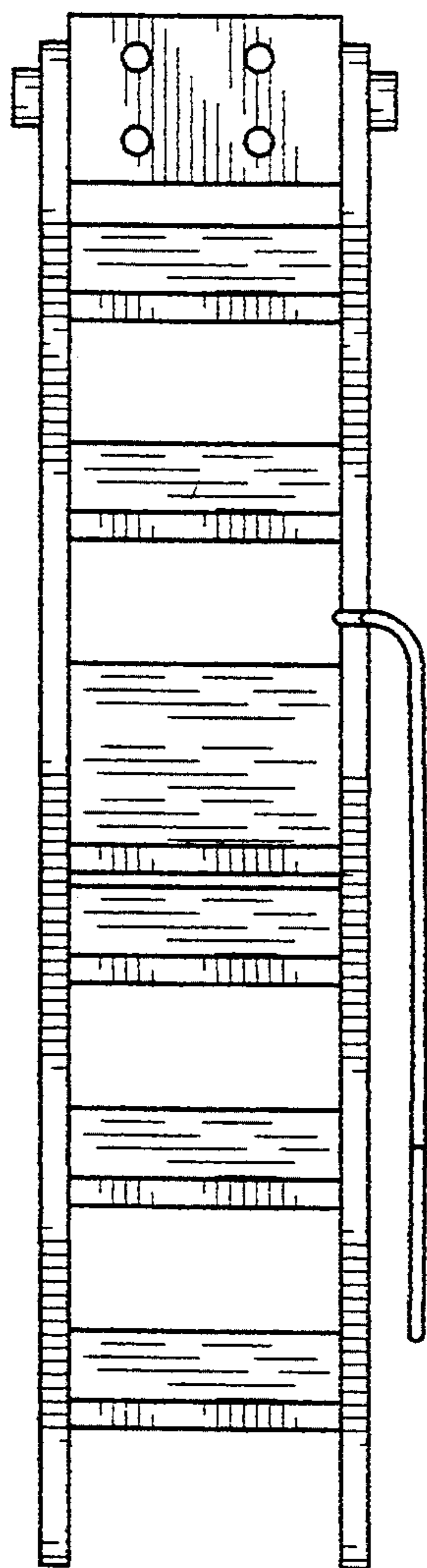


FIG. 4

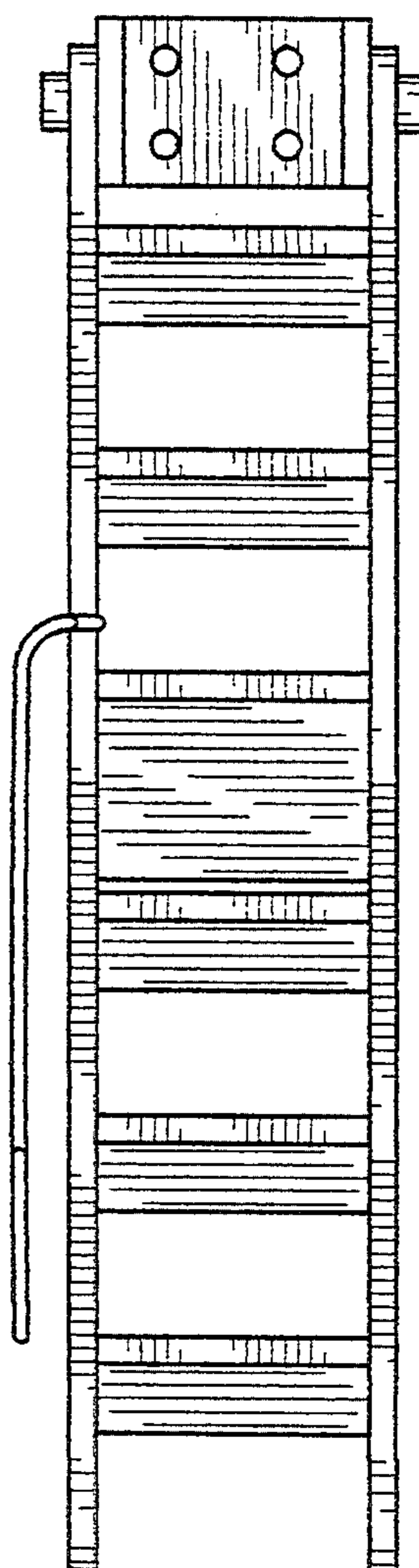


FIG. 5

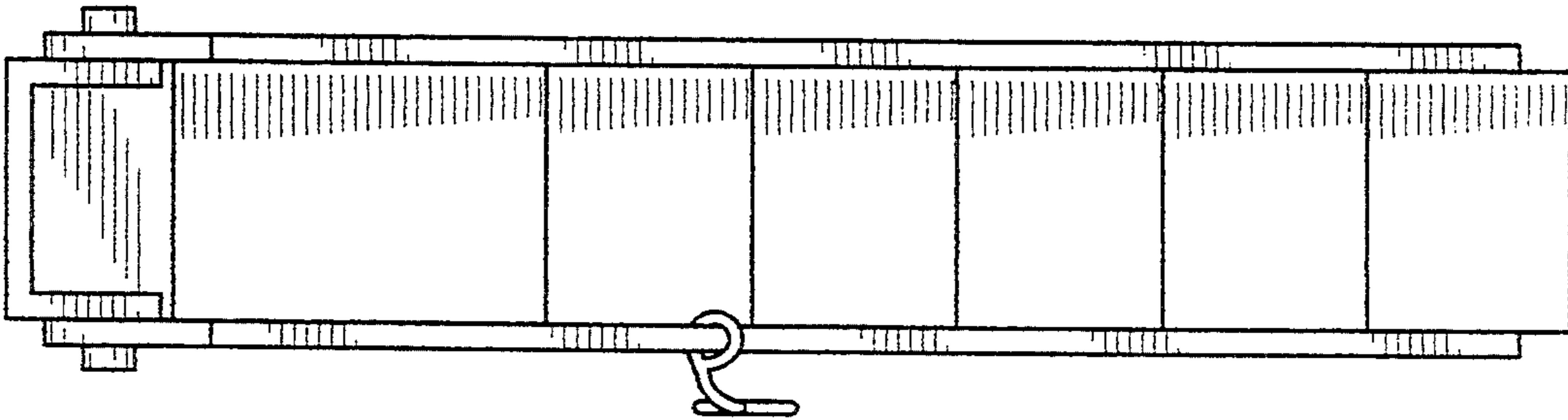
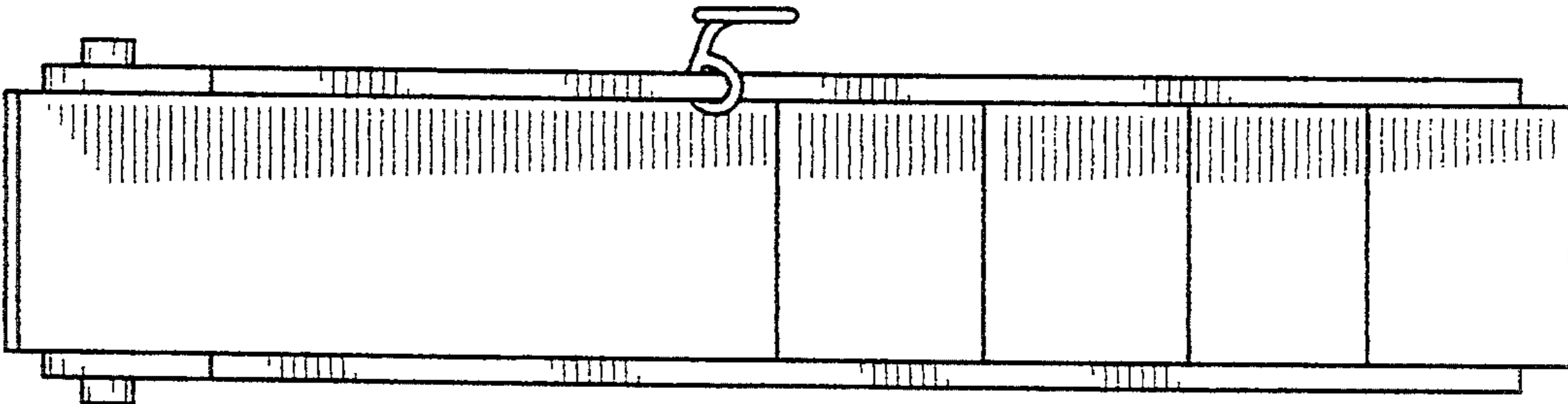


FIG. 6



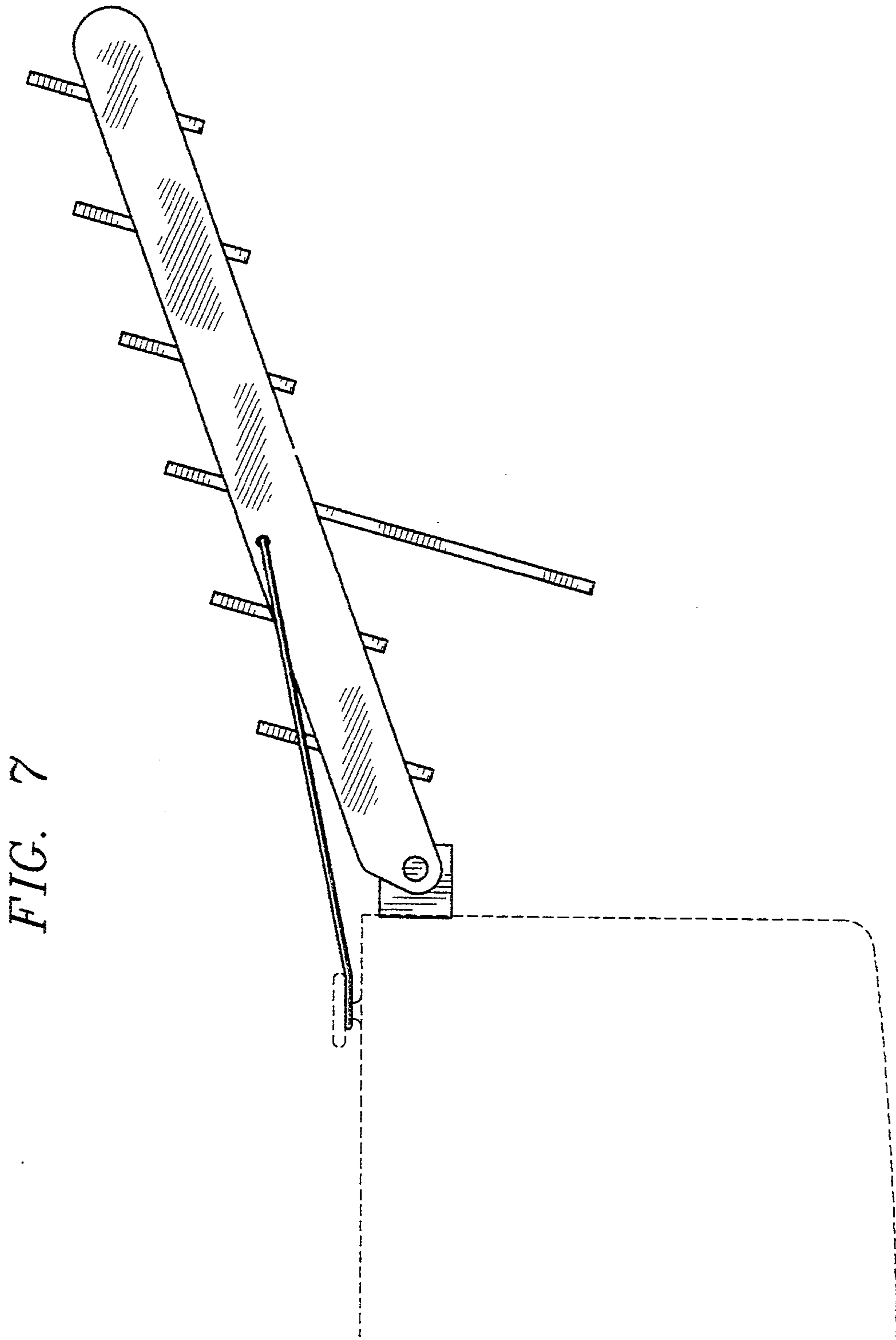


FIG. 7