



US00D359469S

# United States Patent [19]

[11] Patent Number: **Des. 359,469**

Yoshida et al.

[45] Date of Patent: **\*\* Jun. 20, 1995**

[54] WATER SCOOTER

[56] References Cited

[75] Inventors: **Haruhide Yoshida; Nobuyuki Enomoto; Hiroki Hirano**, all of Kyoto, Japan

### U.S. PATENT DOCUMENTS

D. 315,714	3/1991	Walker et al. ....	D12/307
D. 340,221	10/1993	Krieger et al. ....	D12/300
D. 343,160	1/1994	LaPointe ....	D12/307
5,131,346	7/1992	Ohta et al. ....	114/270

[73] Assignee: **Yamaha Hatsudoki Kabushiki Kaisha**, Japan

*Primary Examiner*—Kay H. Chin  
*Attorney, Agent, or Firm*—Saidman Design Law Group

[\*\*] Term: **14 Years**

### [57] CLAIM

The ornamental design for a water scooter, as shown and described.

[21] Appl. No.: **3,769**

### DESCRIPTION

[22] Filed: **Jan. 14, 1993**

FIG. 1 is a left side view in elevation of a water scooter showing our new design;  
 FIG. 2 is a right side view in elevation thereof;  
 FIG. 3 is a top plan view thereof;  
 FIG. 4 is a bottom plan view thereof;  
 FIG. 5 is a front view in elevation thereof;  
 FIG. 6 is a rear view in elevation thereof;  
 FIG. 7 is a rear, left side perspective view thereof; and,  
 FIG. 8 is a front, right side perspective view thereof.

### [30] Foreign Application Priority Data

Jul. 18, 1992 [JP]	Japan .....	4-21573
[52] U.S. Cl. ....	D12/307; D12/300	
[58] Field of Search .....	D12/300, 307; 114/270	

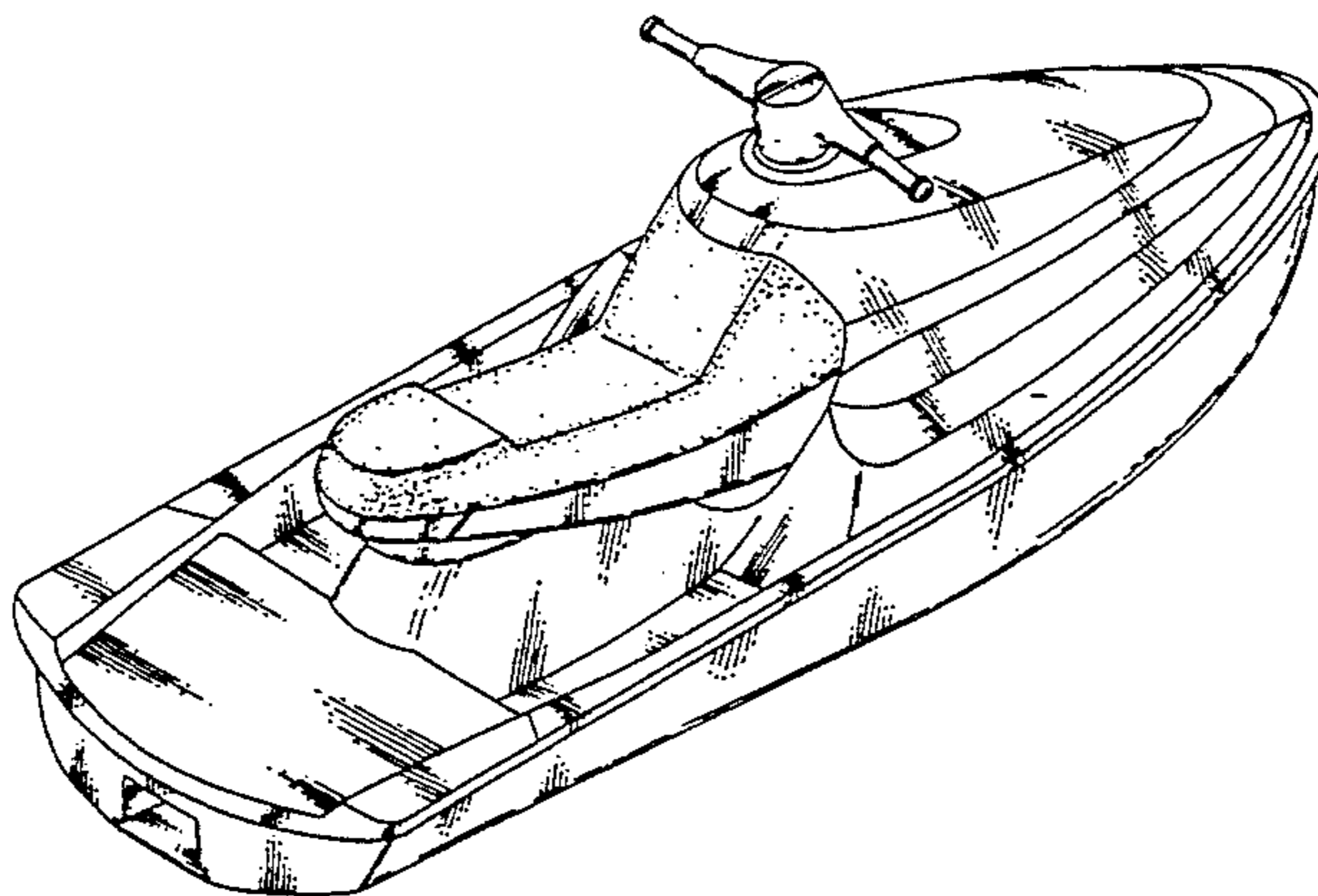
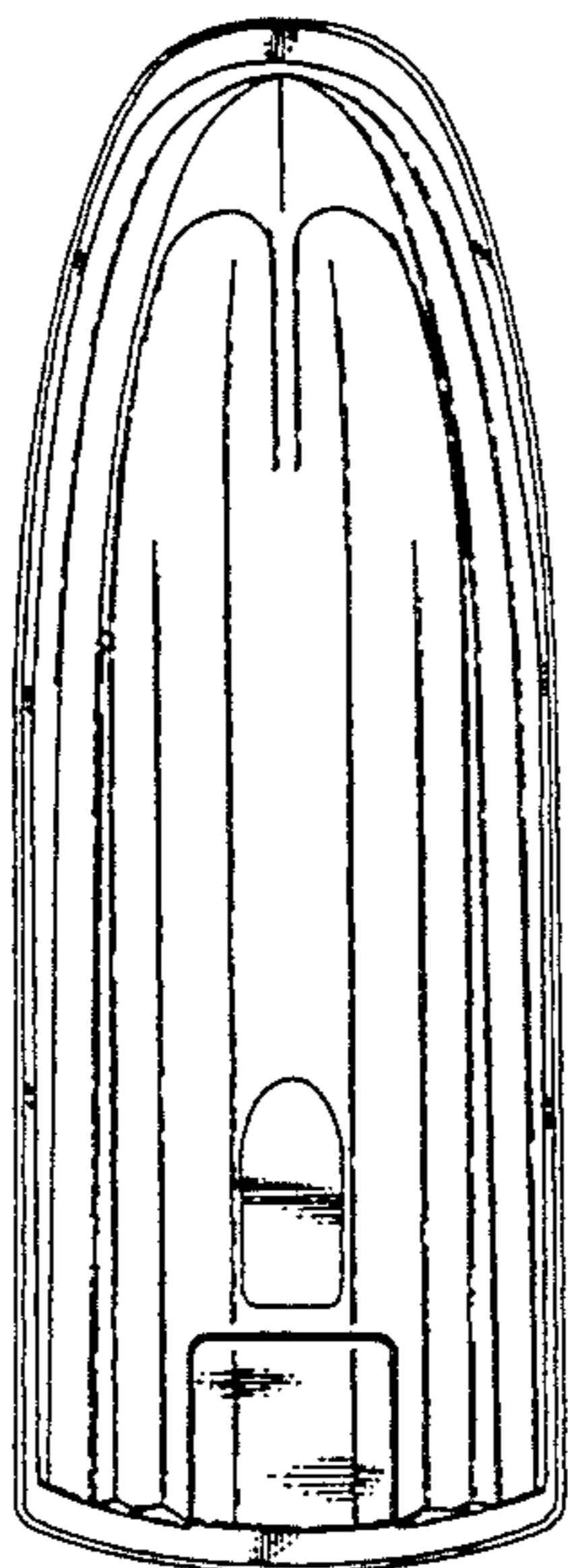


FIG. 1

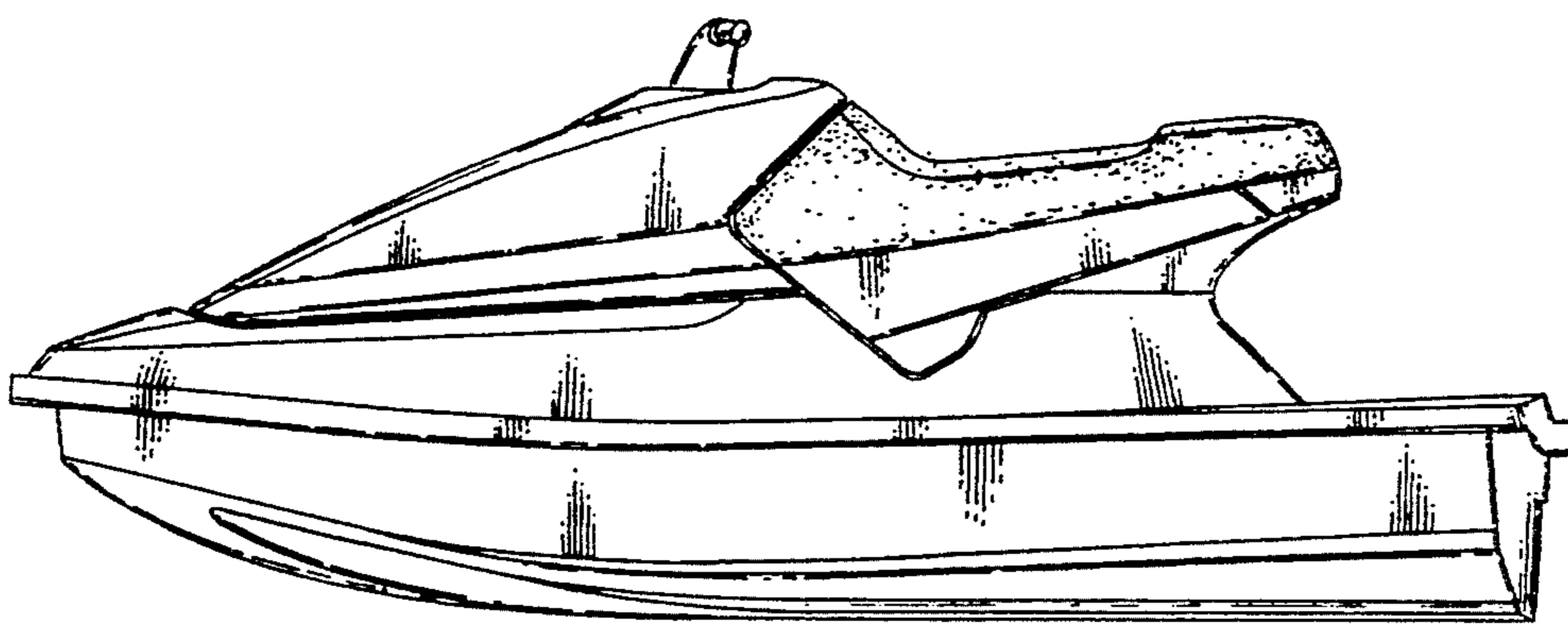


FIG. 2

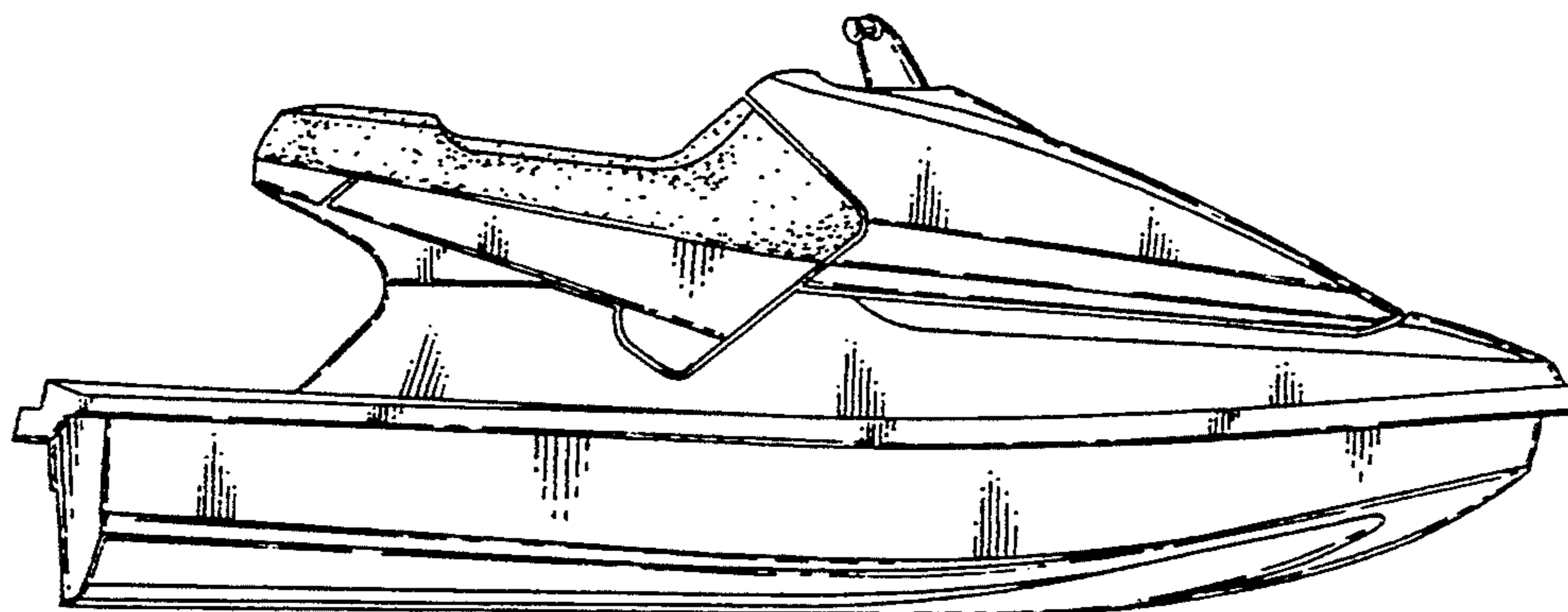


FIG. 3

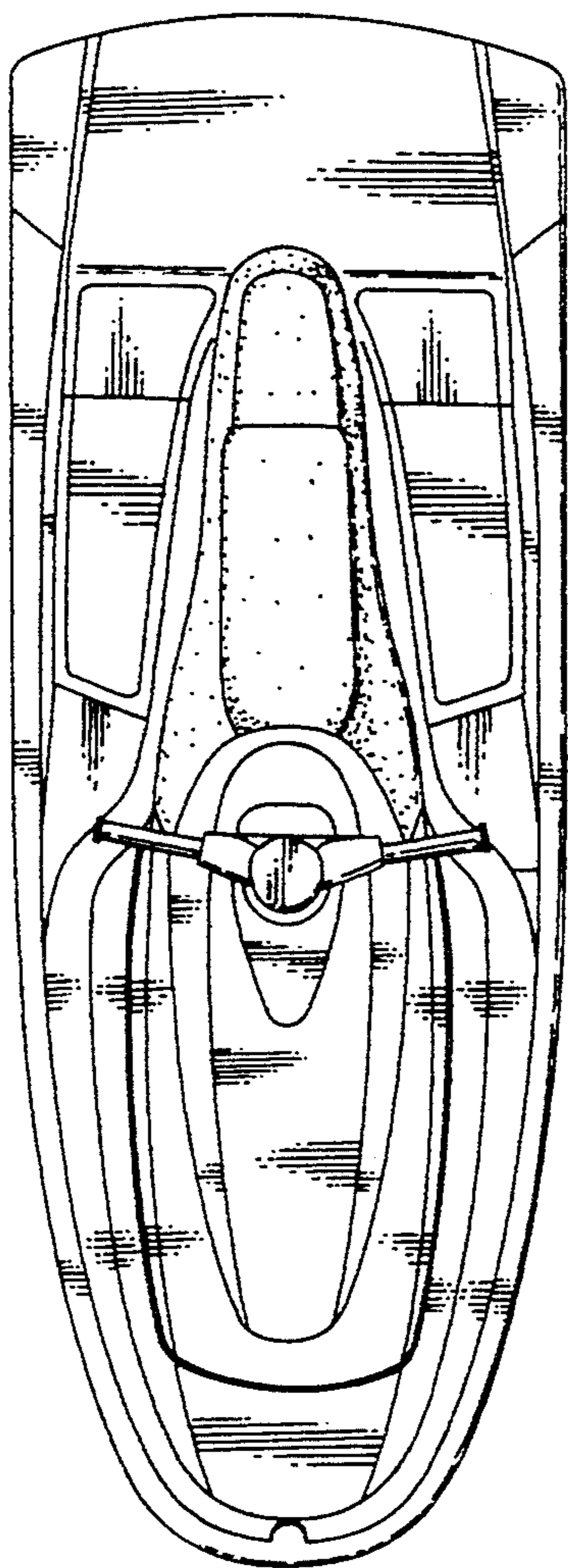


FIG. 4

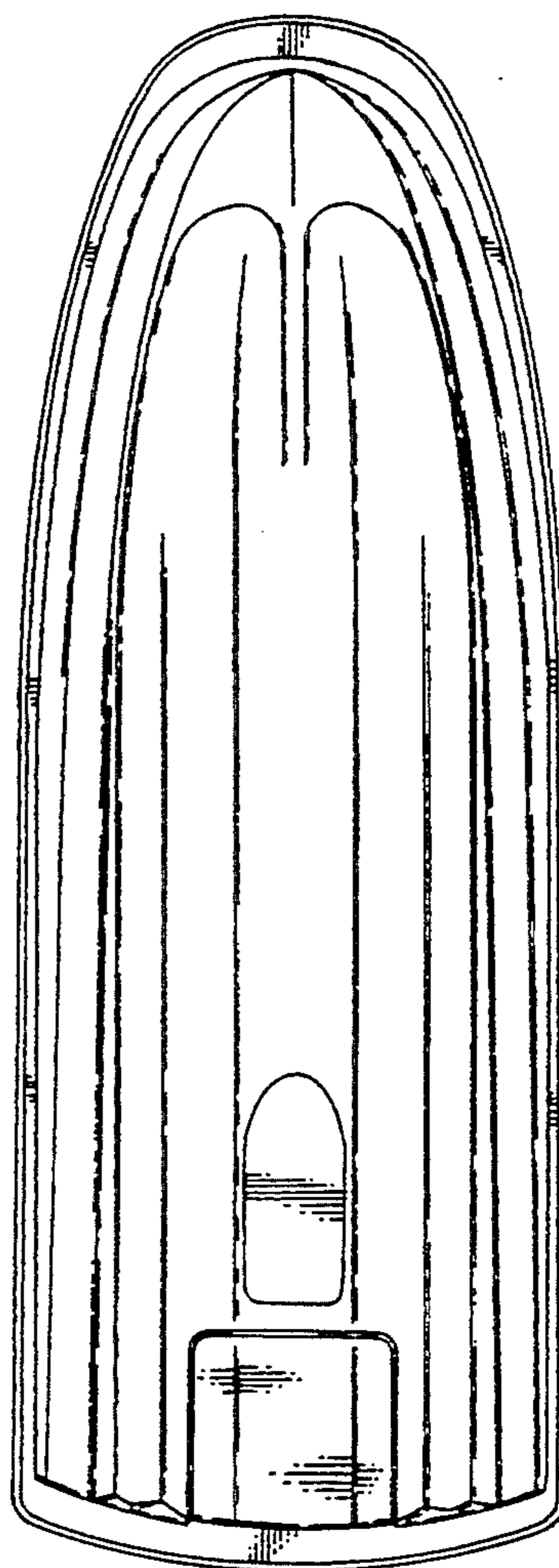


FIG. 5

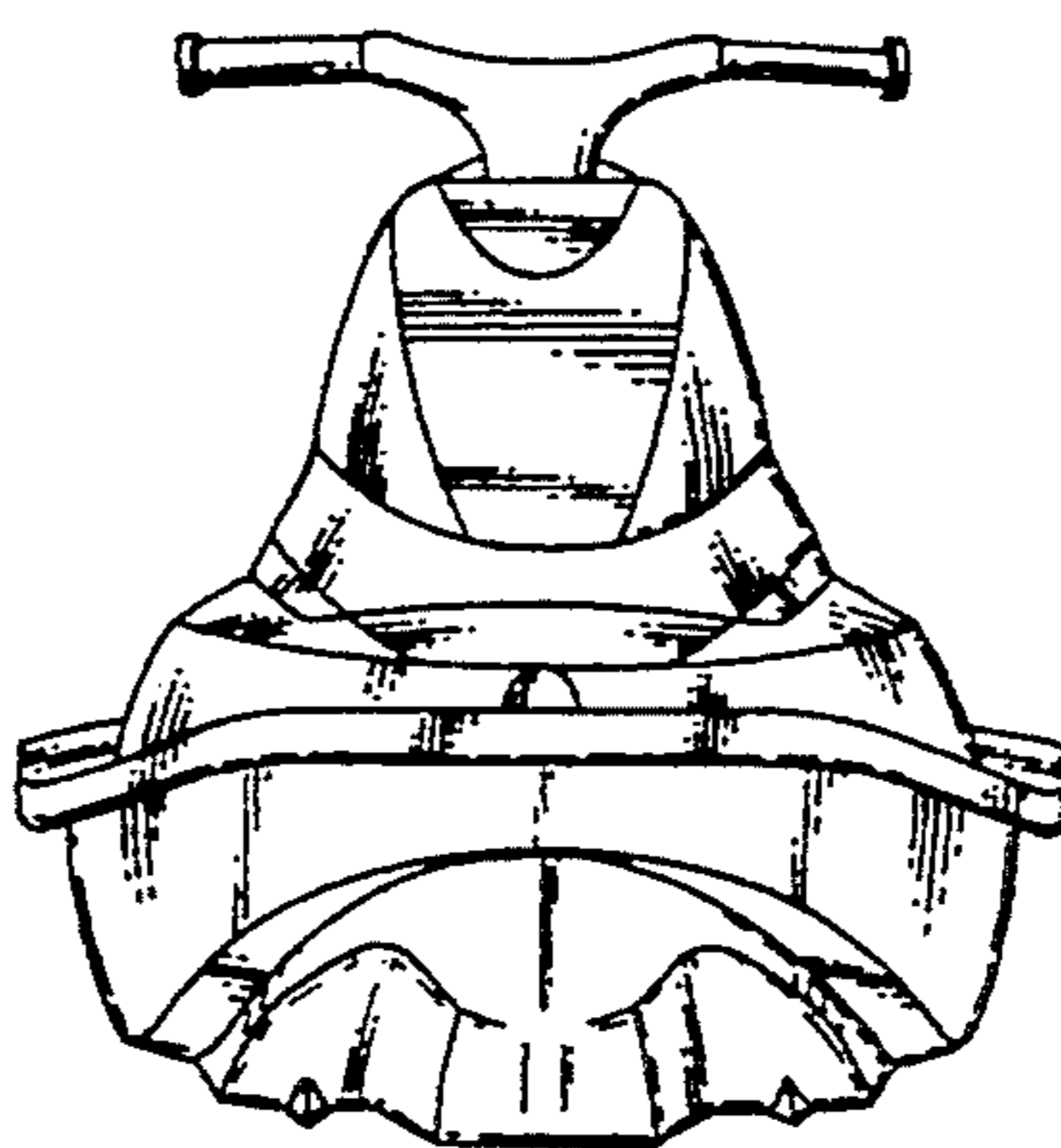


FIG. 6

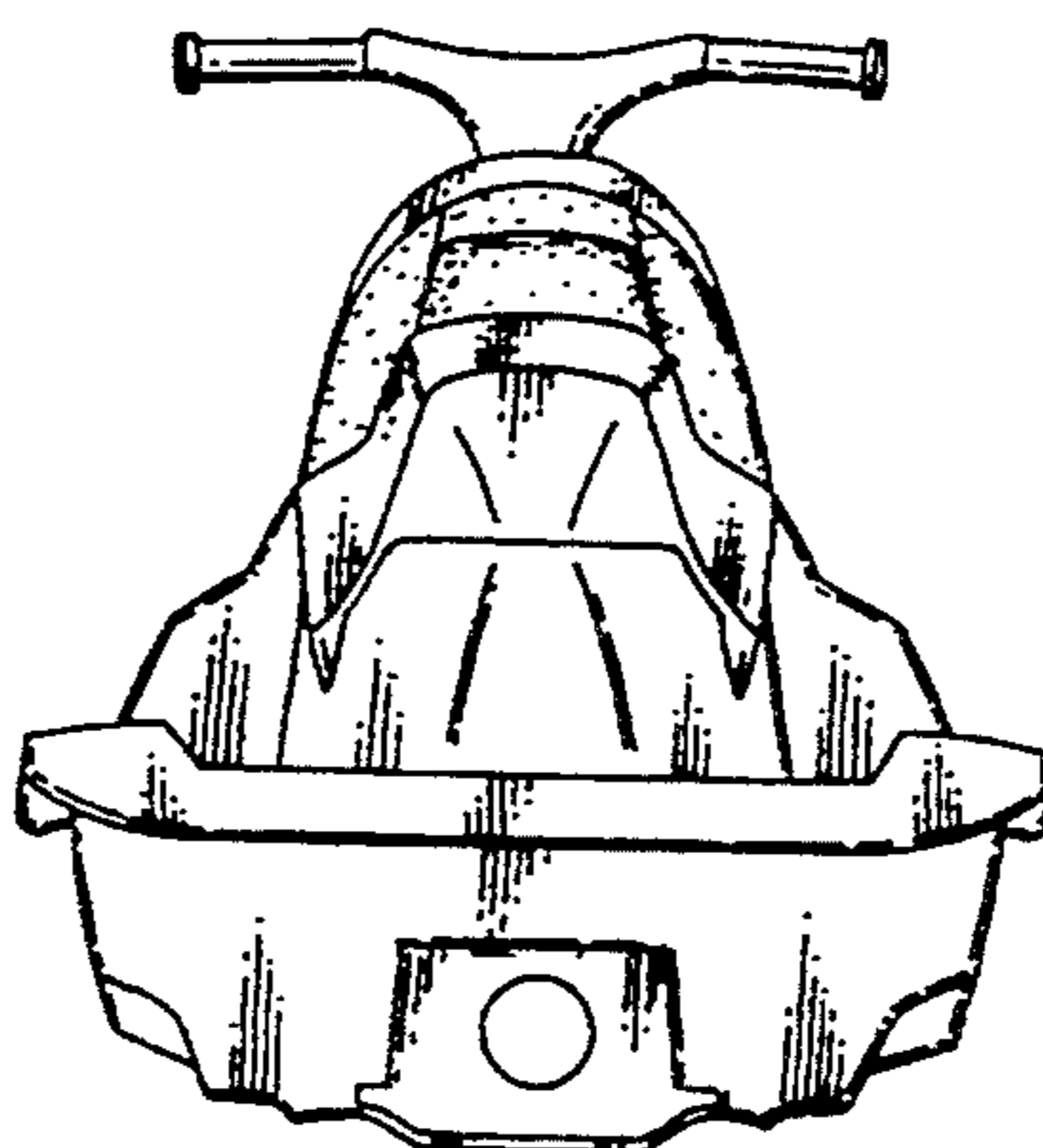


FIG. 7

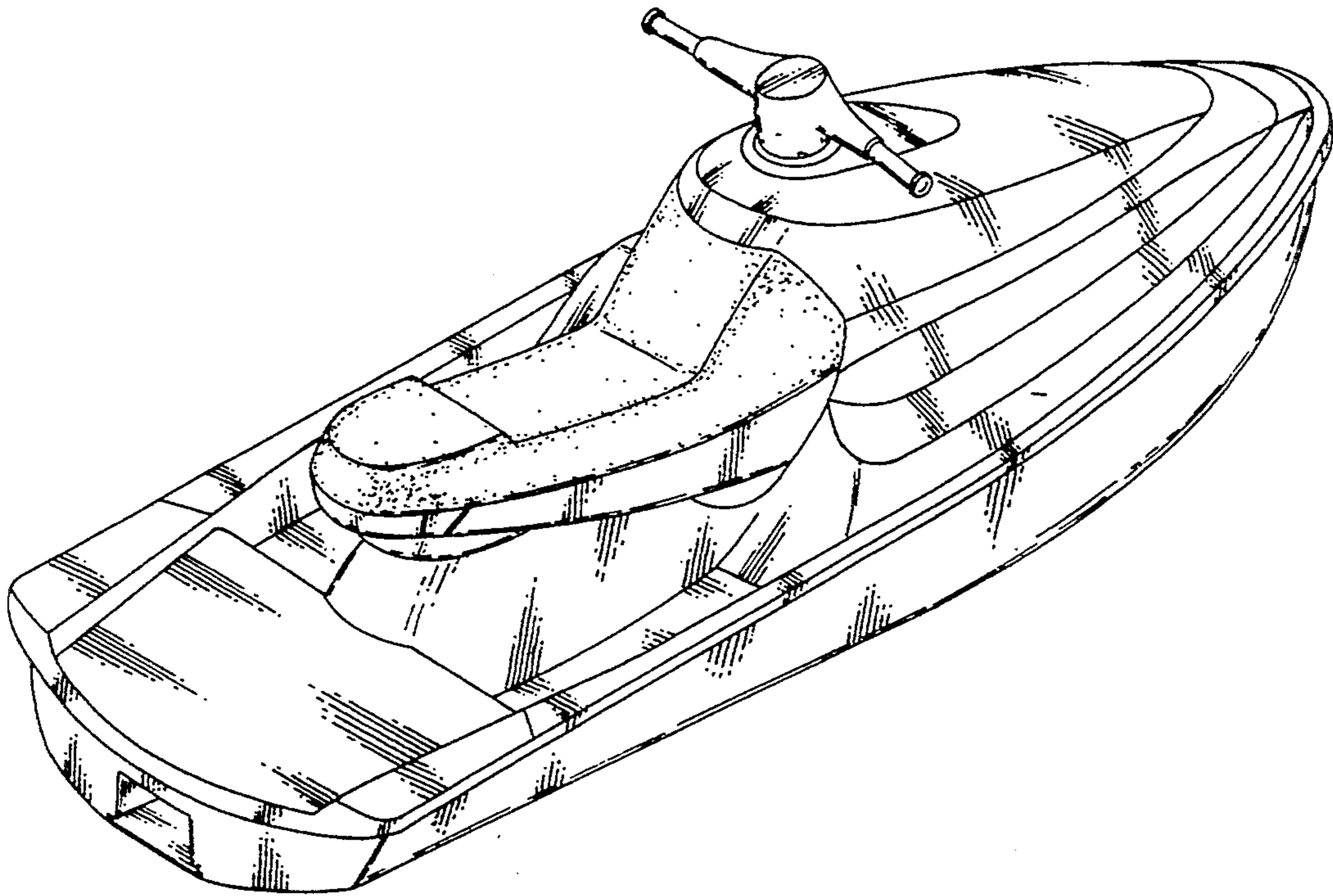


FIG. 8

