



US00D359462S

United States Patent [19] Manuel

[11] Patent Number: **Des. 359,462**

[45] Date of Patent: **** Jun. 20, 1995**

[54] **CHRISTMAS TREE STAND**

2,500,215 3/1940 Swearingen D11/130.1

[76] Inventor: **J. Edward Manuel, P.O. Box 627,
Port Jefferson, N.Y. 11777**

Primary Examiner—Terry A. Wallace
Assistant Examiner—Dominic Simone
Attorney, Agent, or Firm—William B. Ritchie

[**] Term: **14 Years**

[21] Appl. No.: **14,697**

[57] **CLAIM**

[22] Filed: **Oct. 28, 1993**

The ornamental design for the improved Christmas tree stand, as shown and described.

[52] U.S. Cl. **D11/130.1**

[58] Field of Search D11/130.1; 47/40.5;
248/519, 527

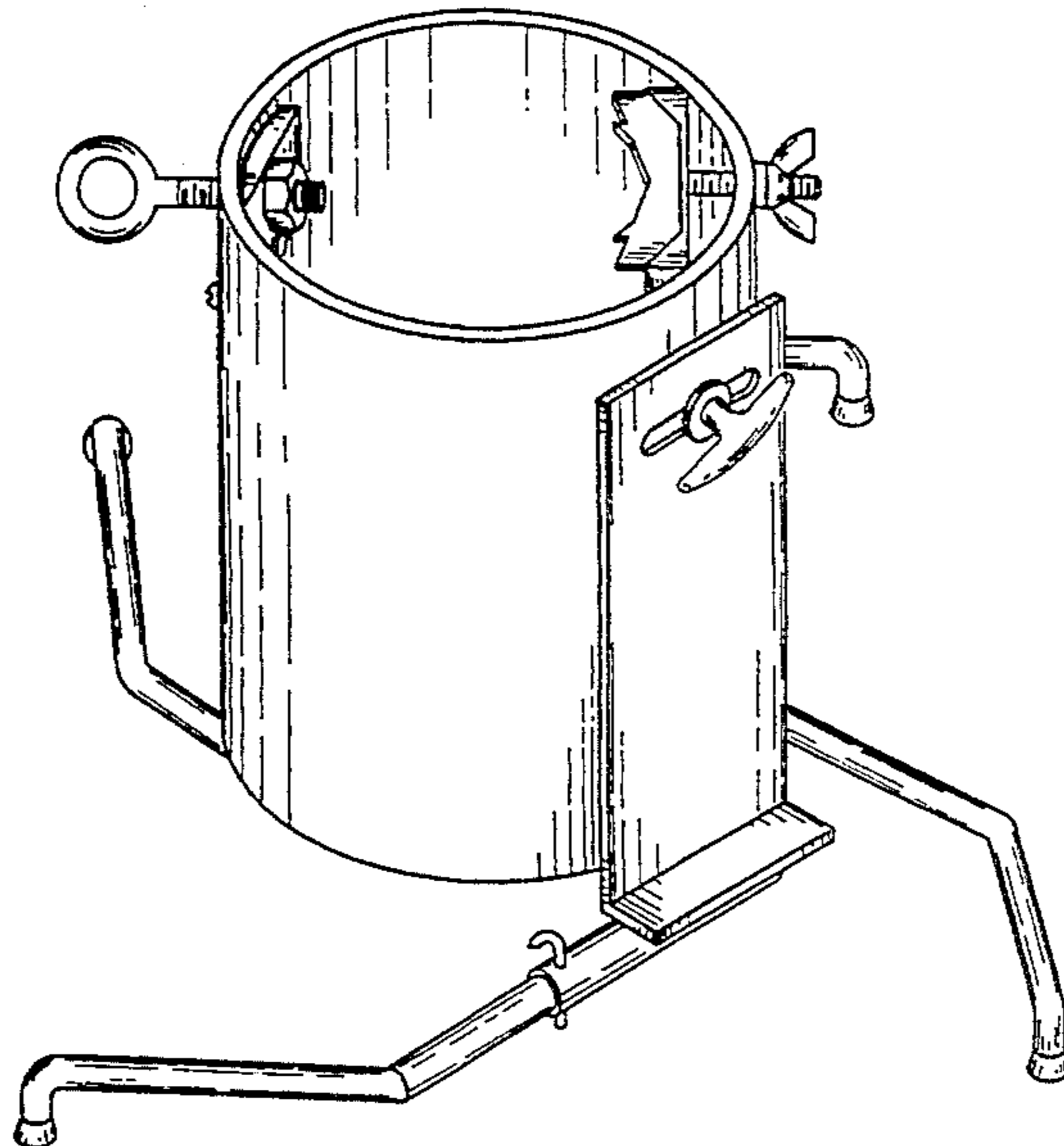
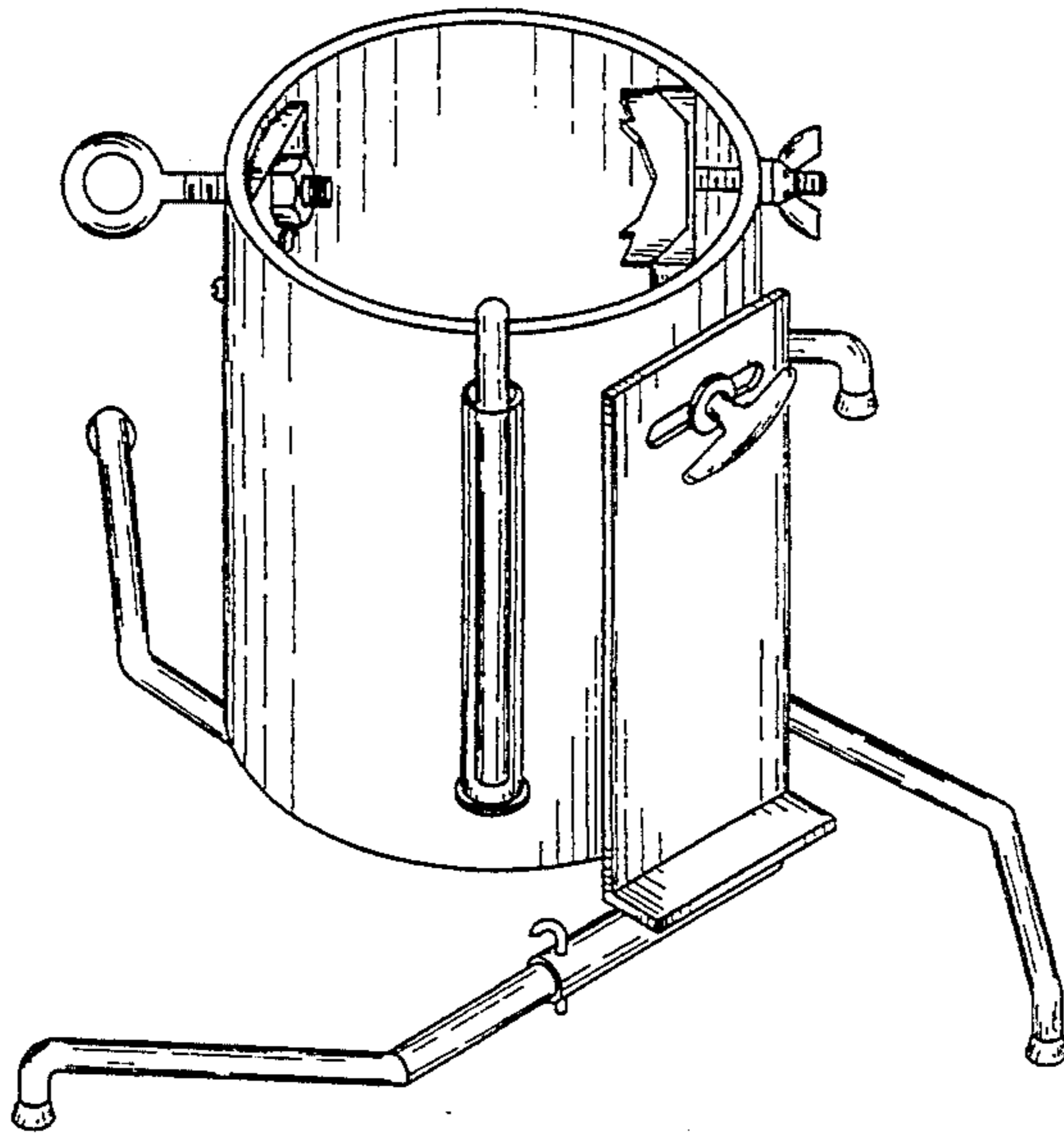
DESCRIPTION

[56] **References Cited**

U.S. PATENT DOCUMENTS

- D. 100,808 8/1936 Wolf D11/130.1
- D. 174,421 4/1955 Ford D11/130.1
- D. 290,099 6/1987 Andersson D11/130.1
- D. 330,875 11/1992 Boucher D11/130.1

FIG. 1 is an isometric view of a Christmas tree stand showing my new design;
FIG. 2 is an enlarged top plan view thereof the legs partially broken away for ease of illustration;
FIG. 3 is a reduced bottom plan view thereof; and,
FIG. 4 is an isometric view of a second embodiment of FIG. 1, the difference residing in the removal of the water level indicator.



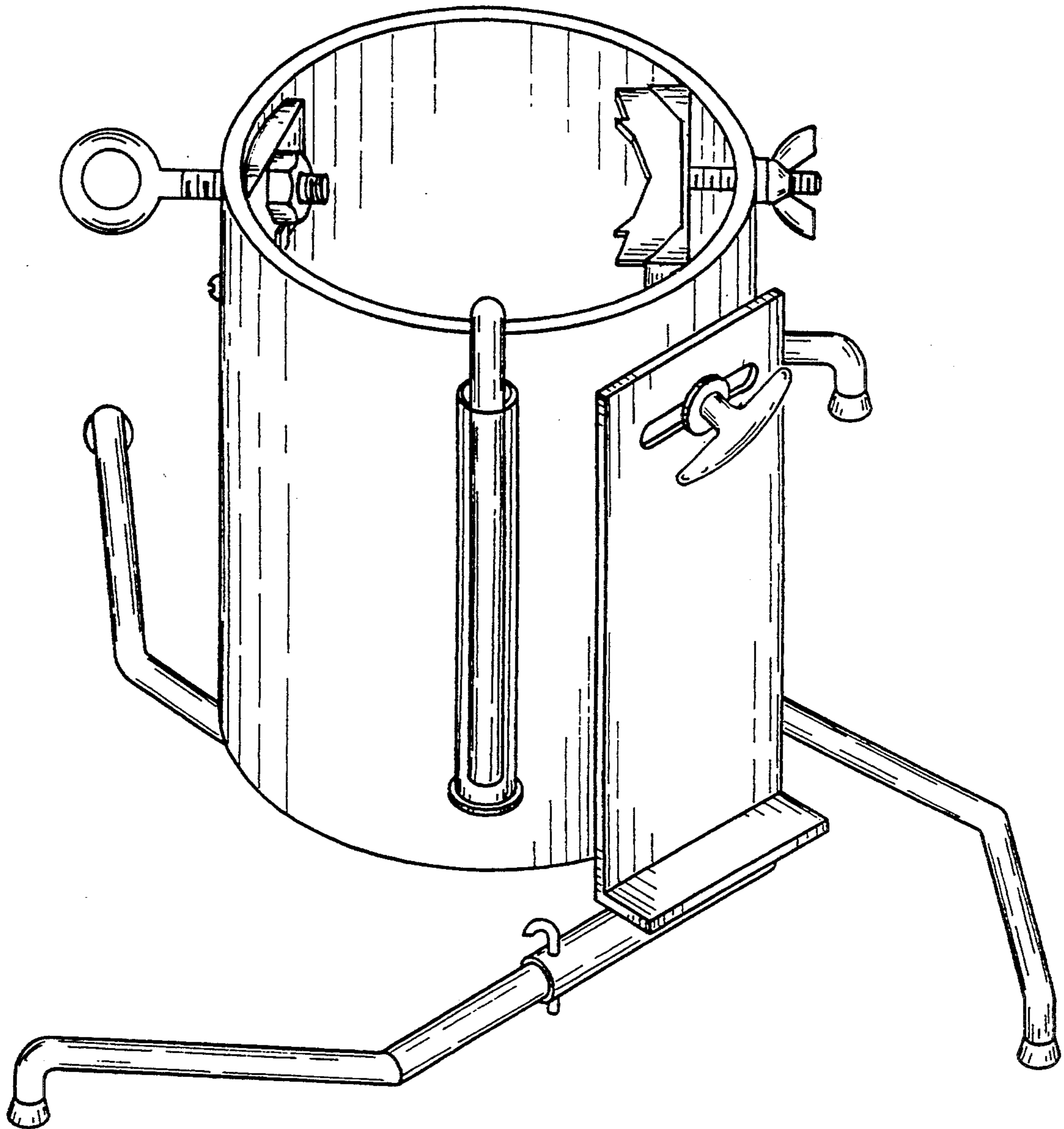


FIG. 1

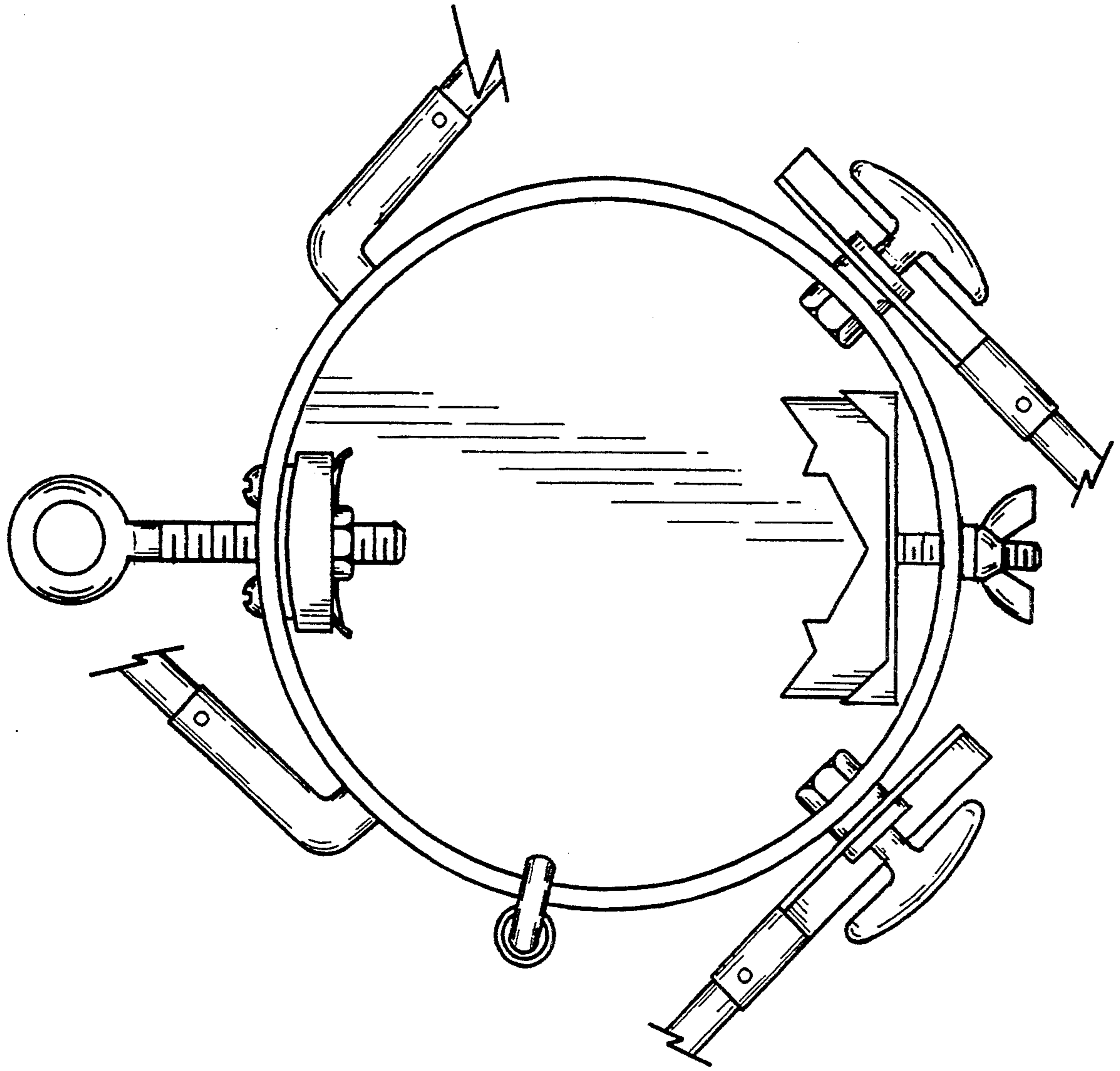


FIG. 2

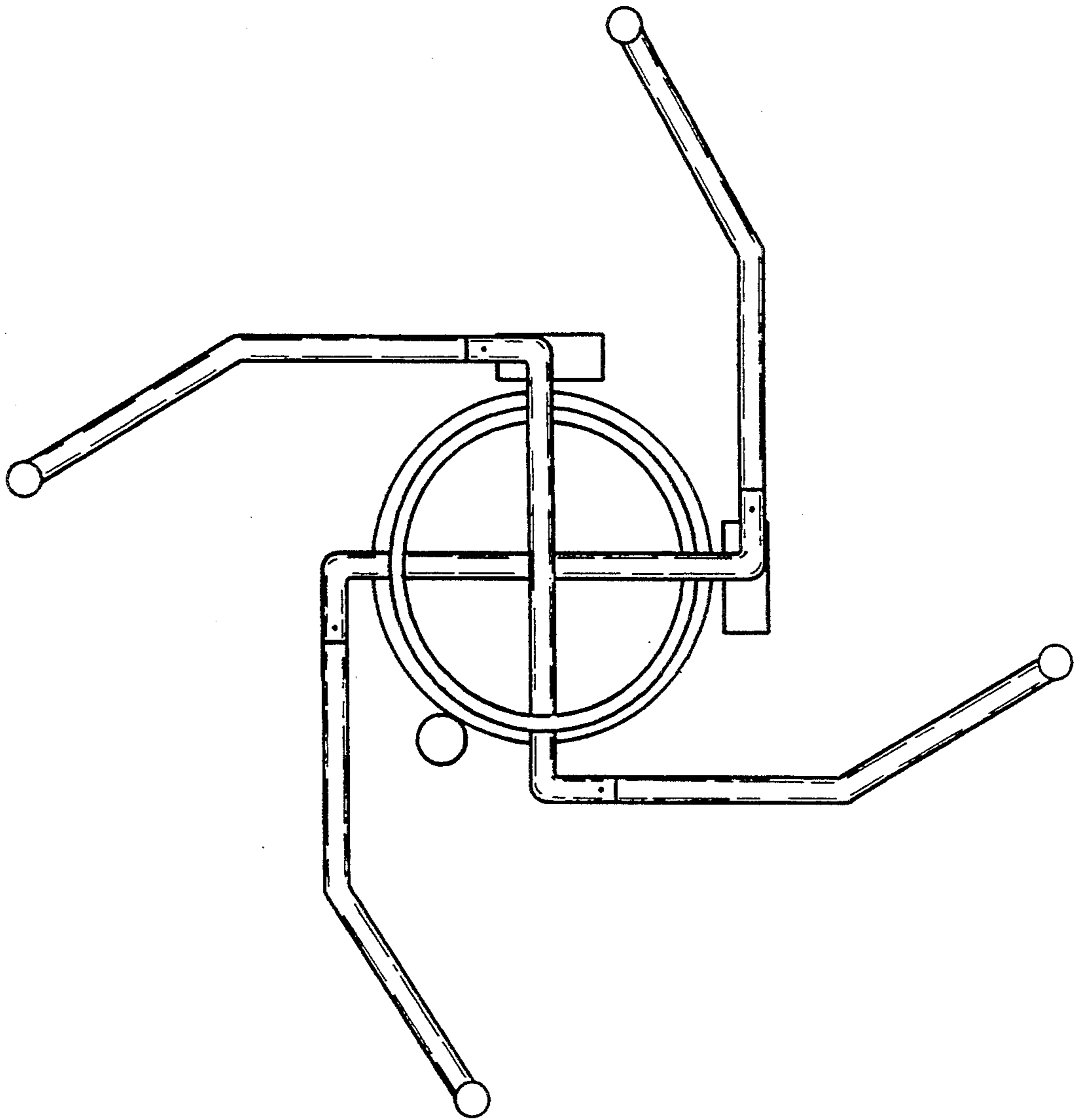


FIG. 3

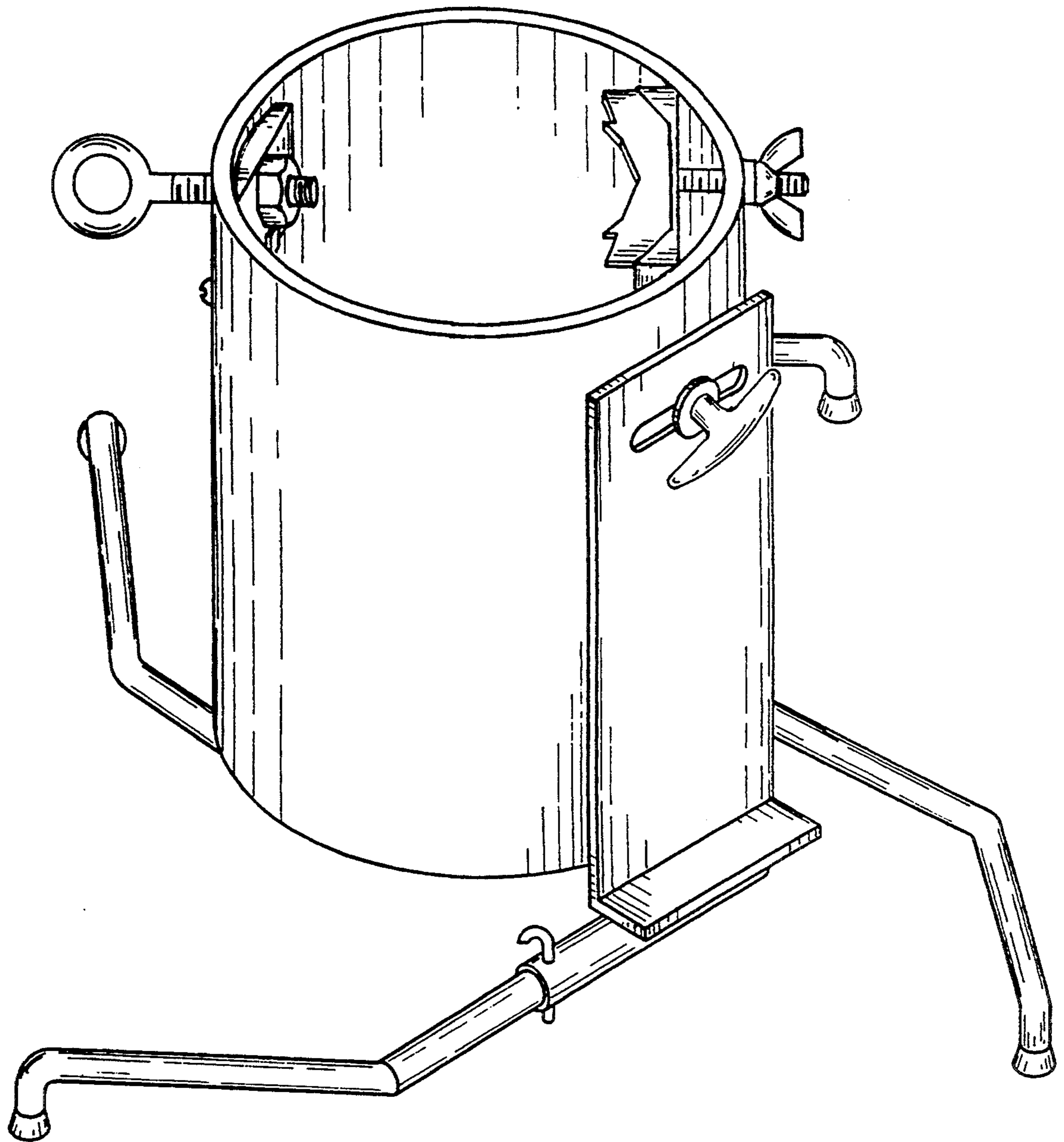


FIG. 4