



US00D359457S

United States Patent [19]

[11] Patent Number: **Des. 359,457**

Visage

[45] Date of Patent: **** Jun. 20, 1995**

[54] WATCH CASE

4,924,453 5/1990 Ray 368/281 X

[75] Inventor: **Agnes Visage, Croissy, France**

OTHER PUBLICATIONS

[73] Assignee: **Christian Dior, S.A., Paris, France**

Swiss Watch & Jewelry Journal Apr. 1988-p. 547-Watch at top.

[**] Term: **14 Years**

European Jeweler-(date and page unknown)-Watches at bottom-right.

[21] Appl. No.: **15,218**

[22] Filed: **Nov. 10, 1993**

Primary Examiner-Nelson C. Holtje
Attorney, Agent, or Firm-Amster, Rothstein & Ebenstein

[30] Foreign Application Priority Data

May 13, 1993 [FR] France 932 566

[52] U.S. Cl. **D10/30; D10/39**

[58] Field of Search **D10/1-40, D10/122-132; 368/280-282, 276-277, 285**

[57] CLAIM

The ornamental design for a watch case, as shown and described.

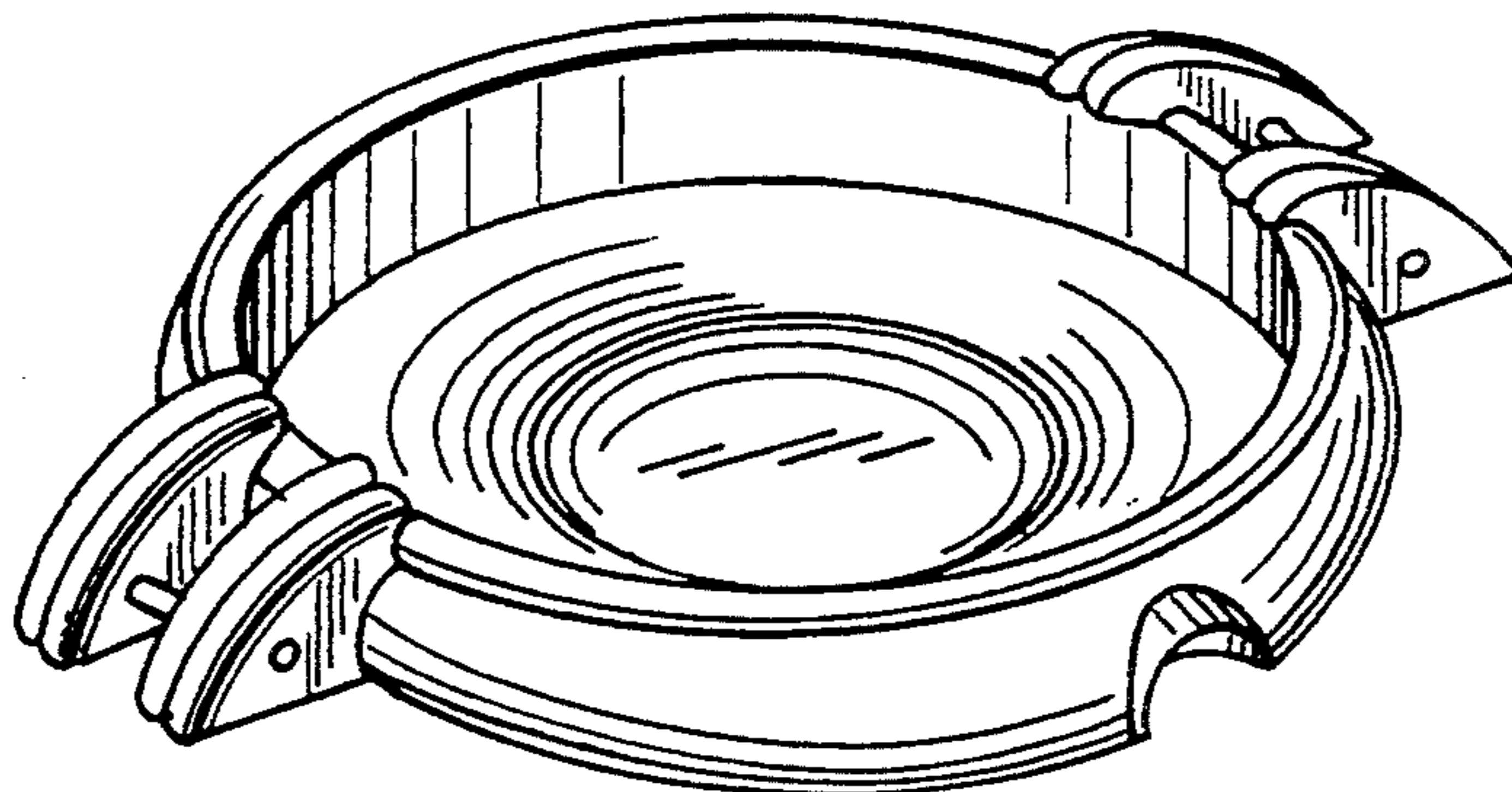
[56] References Cited

DESCRIPTION

U.S. PATENT DOCUMENTS

- D. 327,224 6/1992 Burgener D10/38 X
- D. 327,435 6/1992 Gueit D10/38 X
- D. 329,611 9/1992 Burgener D10/30
- D. 331,022 11/1992 Burgener D10/30 X
- D. 331,708 12/1992 Burgener D10/30
- D. 340,870 11/1993 Kishimoto D10/30
- D. 343,582 1/1994 Maruyama D10/38 X

FIG. 1 is a top plan view of a watch case, showing my new design;
 FIG. 2 is an inverted left-side view thereof;
 FIG. 3 is an inverted right-side view thereof;
 FIG. 4 is a bottom plan view thereof;
 FIG. 5 is top elevational view;
 FIG. 6 is a bottom elevation view thereof; and,
 FIG. 7 is a top right-side perspective view thereof.



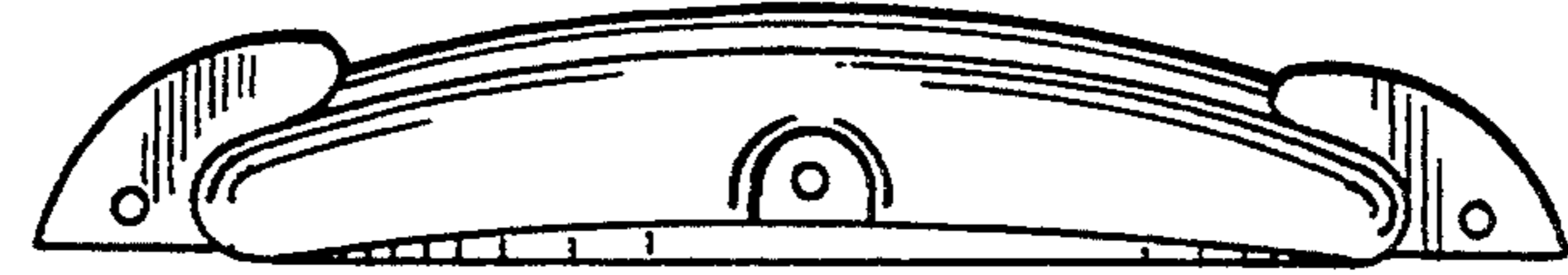


FIG. 3

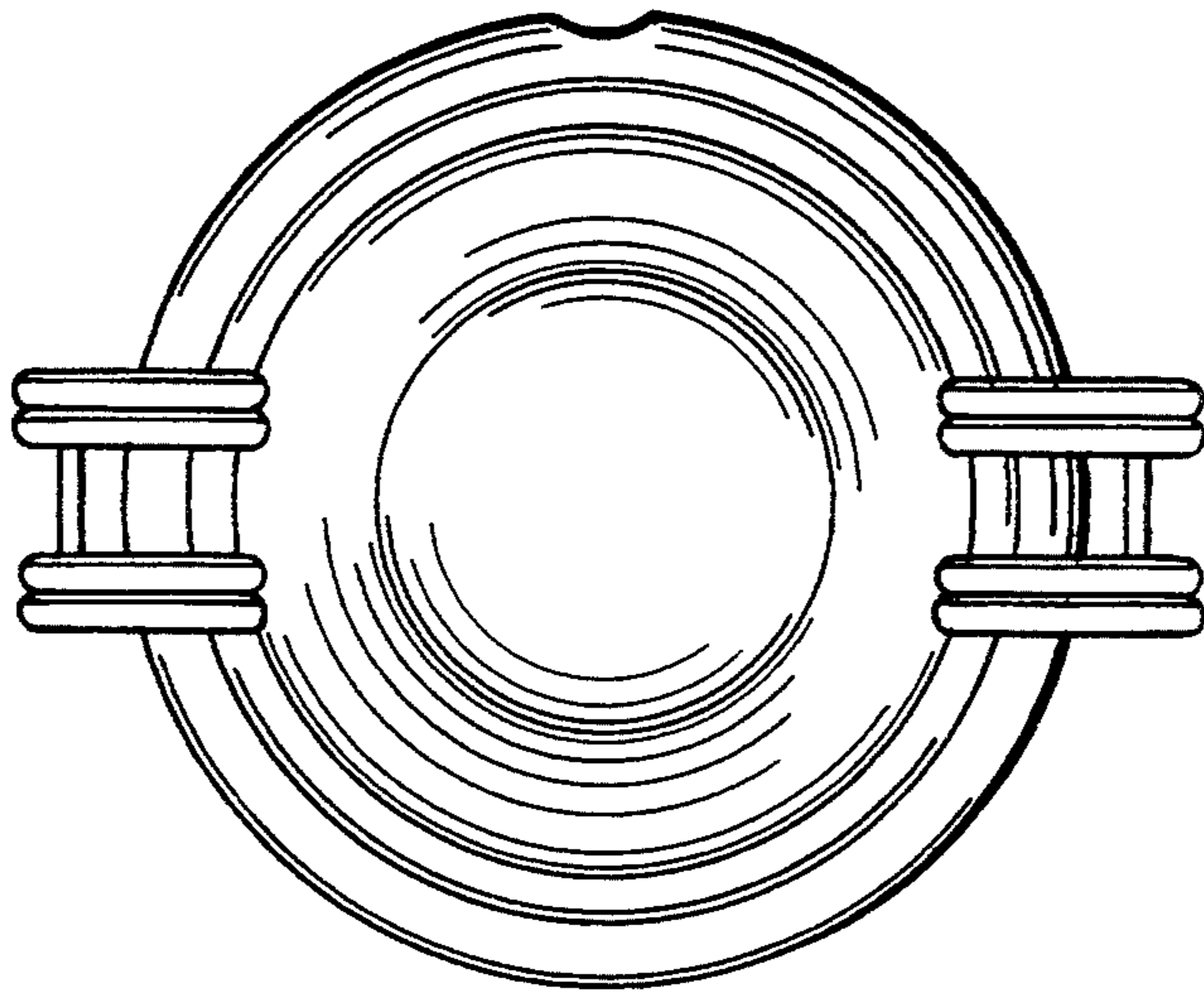


FIG. 1

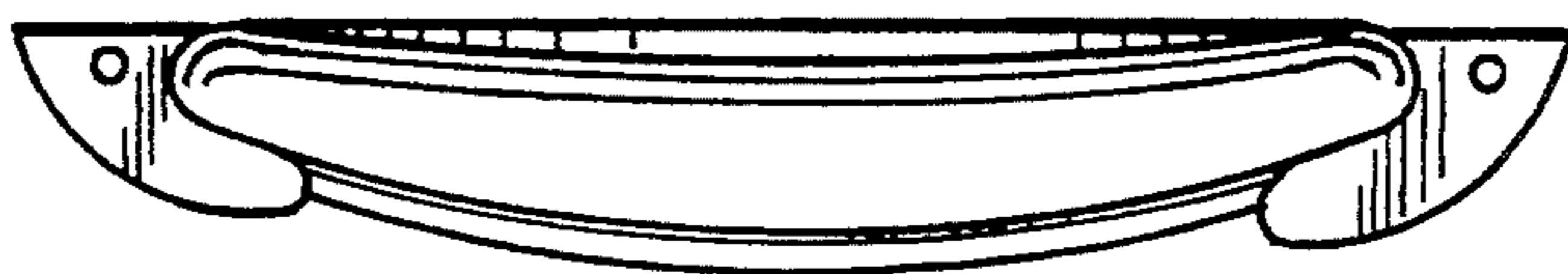


FIG. 2

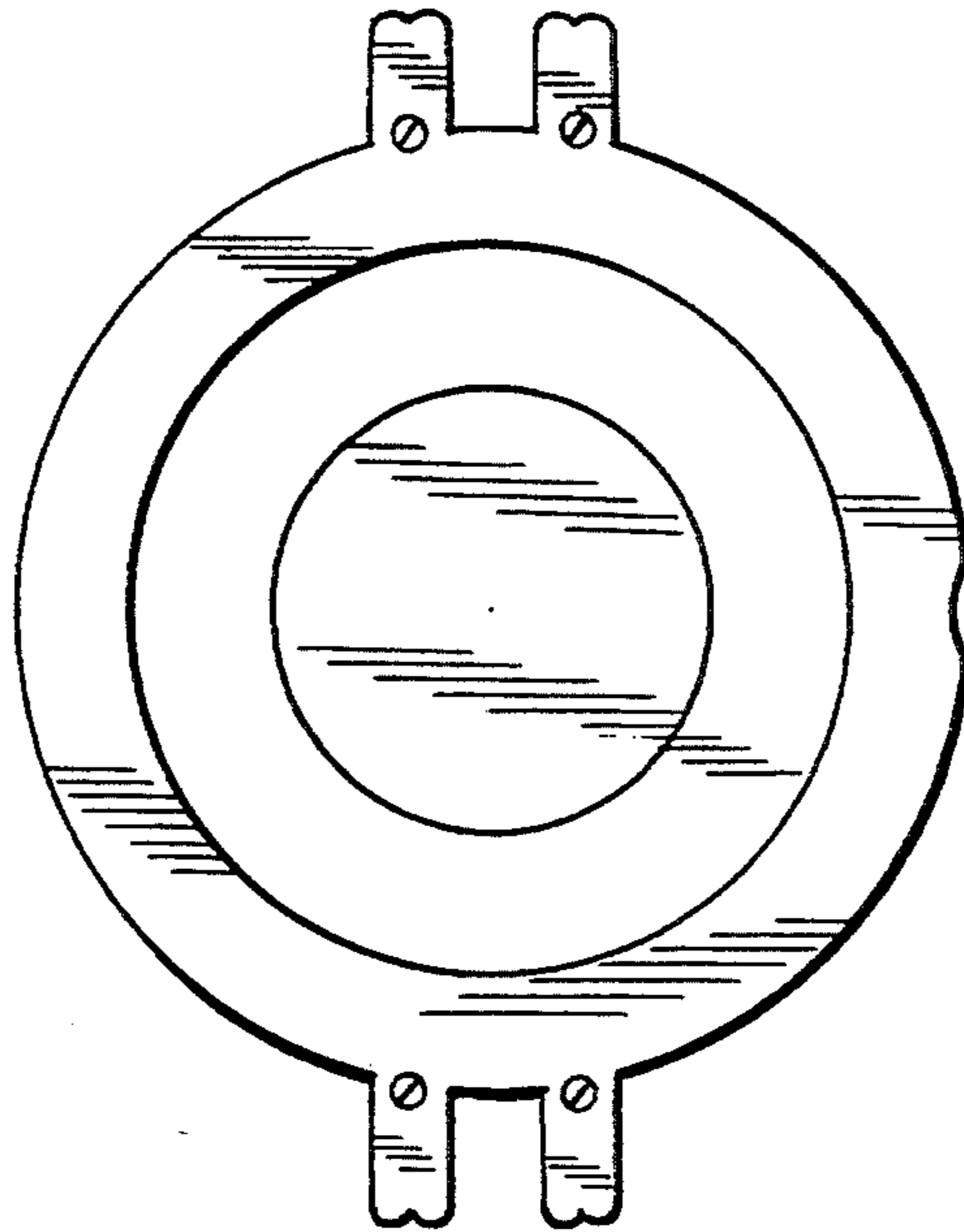


FIG. 4

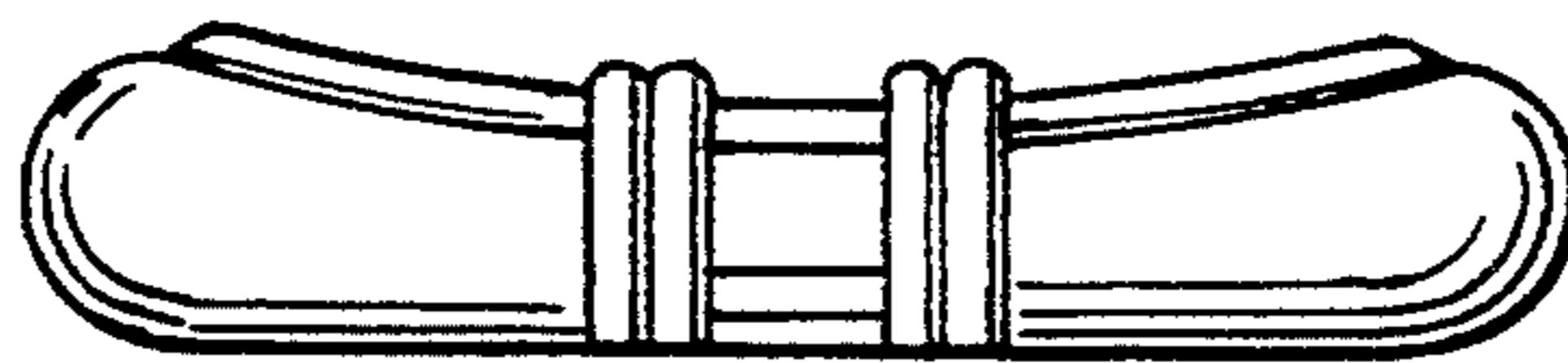


FIG. 5

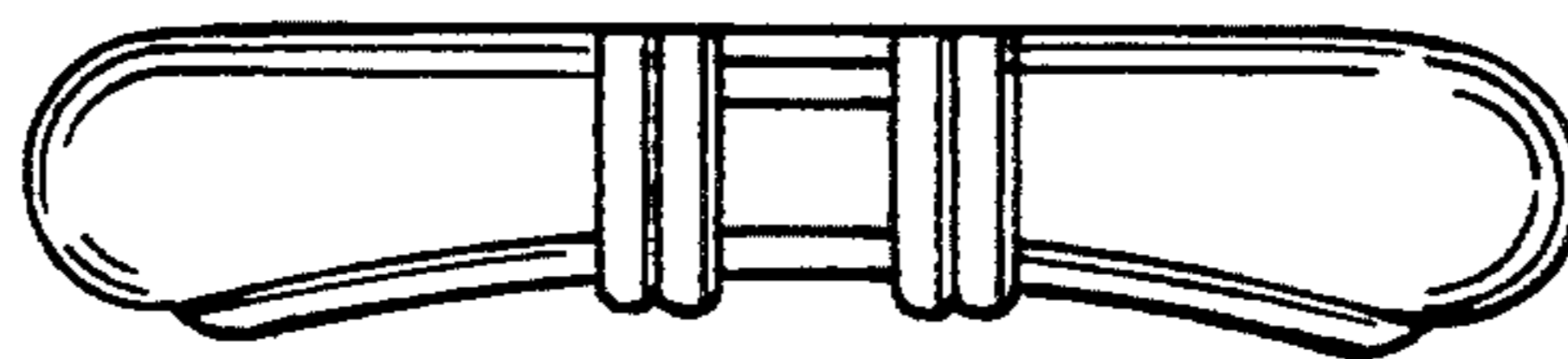


FIG. 6

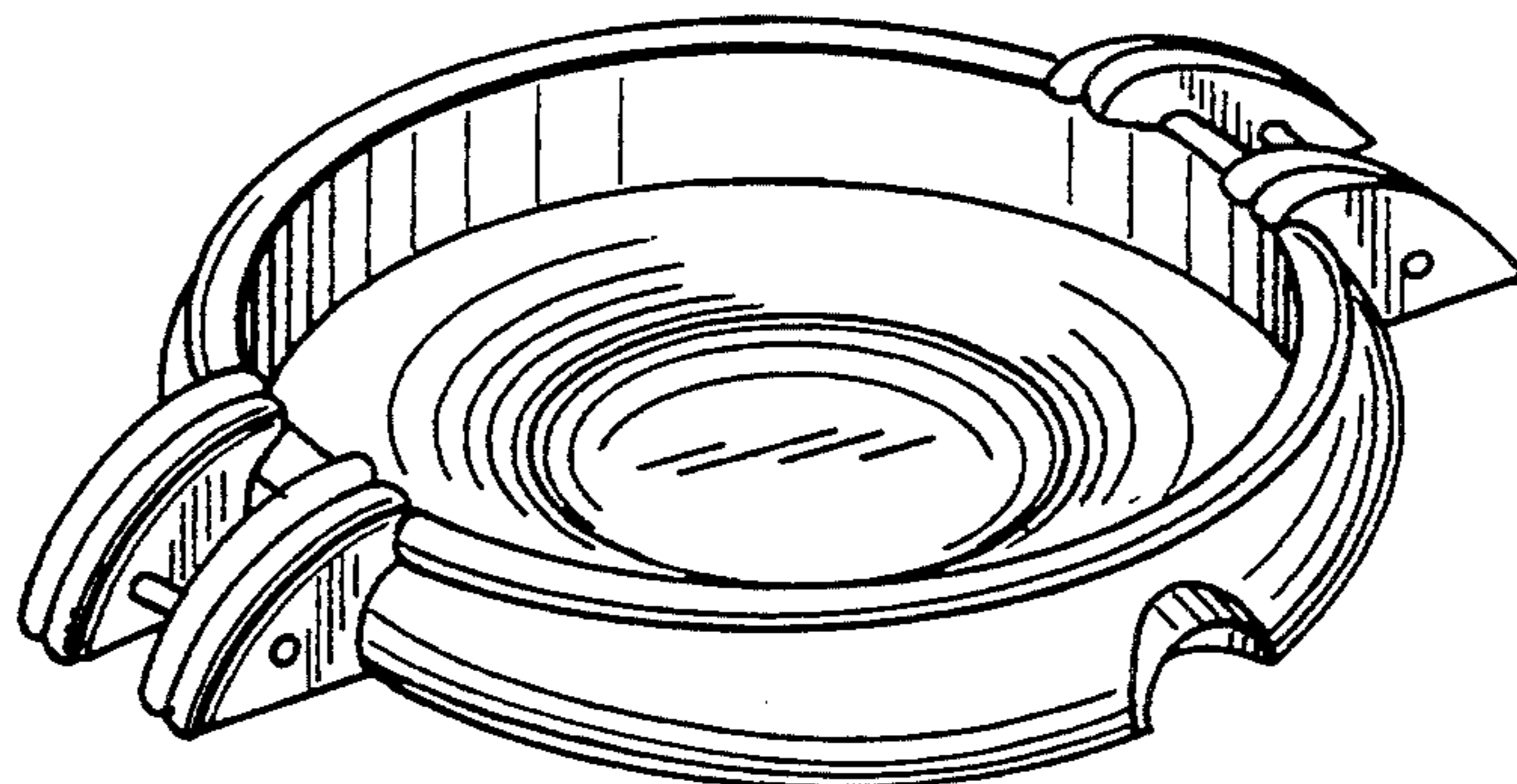


FIG. 7