



US00D359456S

# United States Patent [19]

[11] Patent Number: **Des. 359,456**

Moore

[45] Date of Patent: **\*\* Jun. 20, 1995**

[54] **WALL CLOCK**

D. 77,429	1/1929	Mott	.....	D10/1
D. 333,273	2/1993	Mukoyama	.....	D10/29
D. 333,620	3/1993	Moore	.....	D10/29
D. 346,968	5/1994	Odafa	.....	D10/29

[75] Inventor: **Shan-Ker Moore**, Taichung Hsien, Taiwan, Prov. of China

[73] Assignee: **Centre Clock Industry Co., Ltd.**, Taichung Hsien, Taiwan, Prov. of China

*Primary Examiner*—Nelson C. Holtje  
*Attorney, Agent, or Firm*—Browdy and Neimark

[\*\*] Term: **14 Years**

[57] **CLAIM**

[21] Appl. No.: **22,692**

The ornamental design for wall clock, as shown and described.

[22] Filed: **May 10, 1994**

**DESCRIPTION**

[52] U.S. Cl. .... **D10/28; D10/21**

[58] Field of Search ..... **D10/1-40, D10/122-132; 368/276-277, 285, 316-317**

FIG. 1 is a perspective view of wall clock of my new design;

FIG. 2 is a front view thereof;

FIG. 3 is a back side view thereof;

FIG. 4 is a left side view thereof;

FIG. 5 is a right side view thereof;

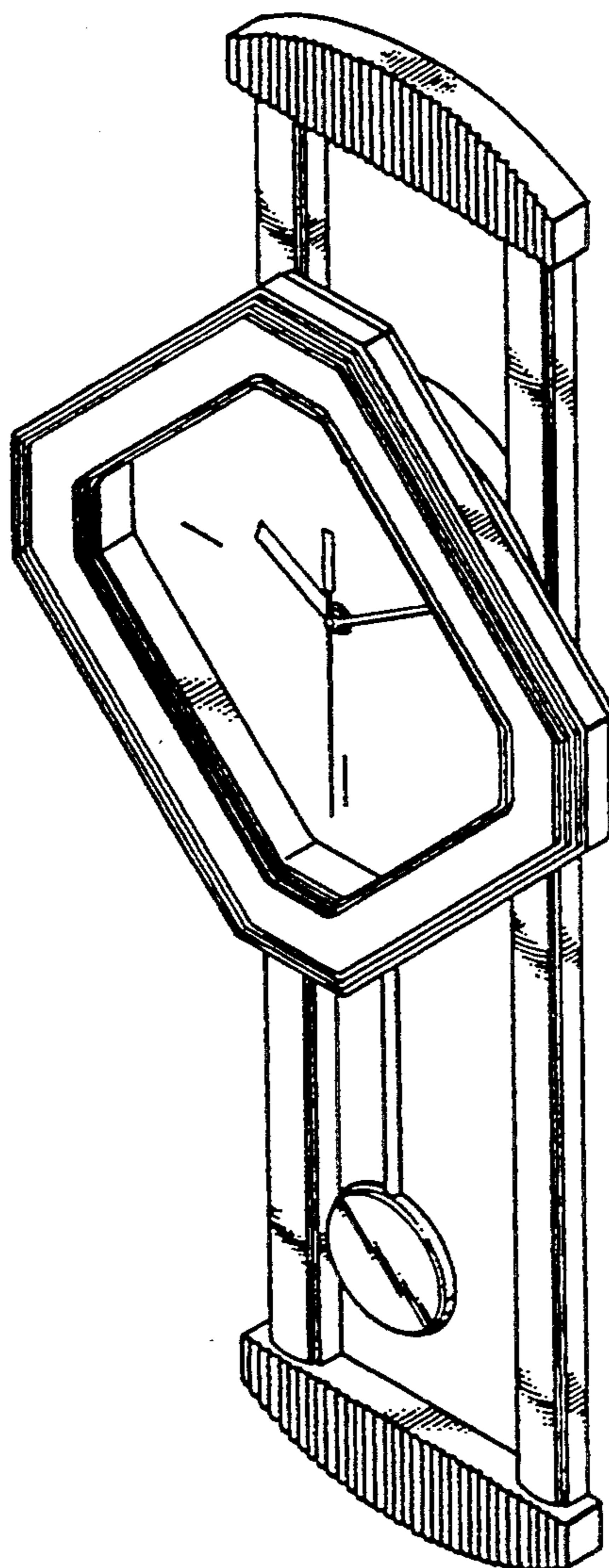
FIG. 6 is a top plan view thereof; and,

FIG. 7 is a bottom view thereof.

[56] **References Cited**

**U.S. PATENT DOCUMENTS**

D. 66,592	2/1925	Thorning	.....	D10/28 X
D. 77,428	1/1929	Mott	.....	D10/1



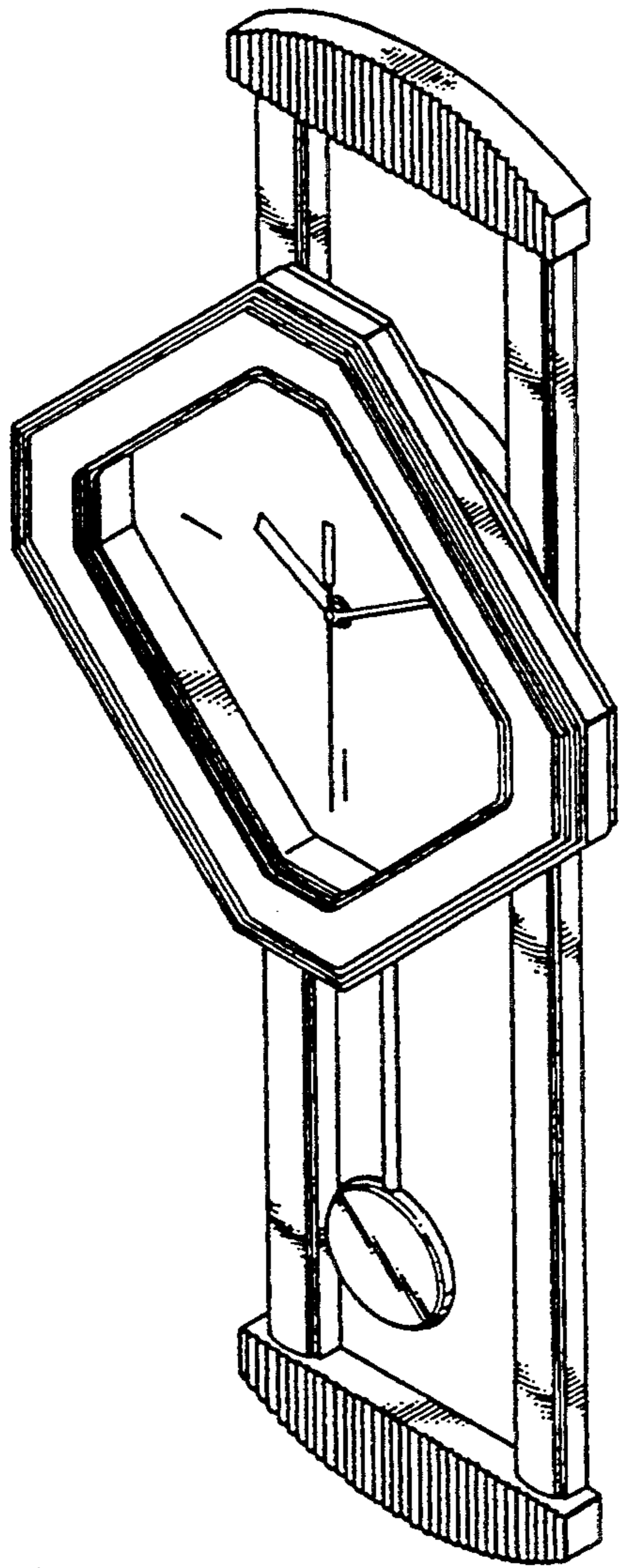


FIG. 1

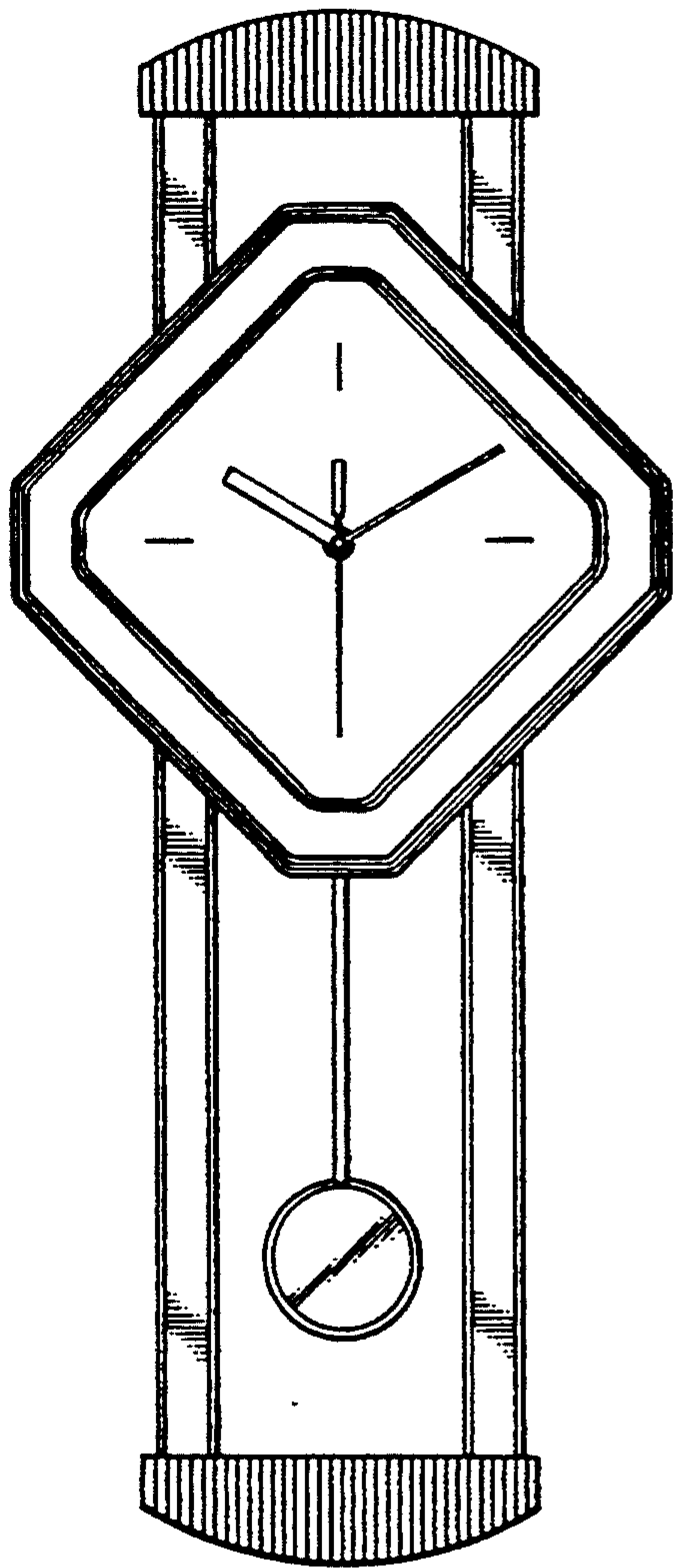


FIG. 2

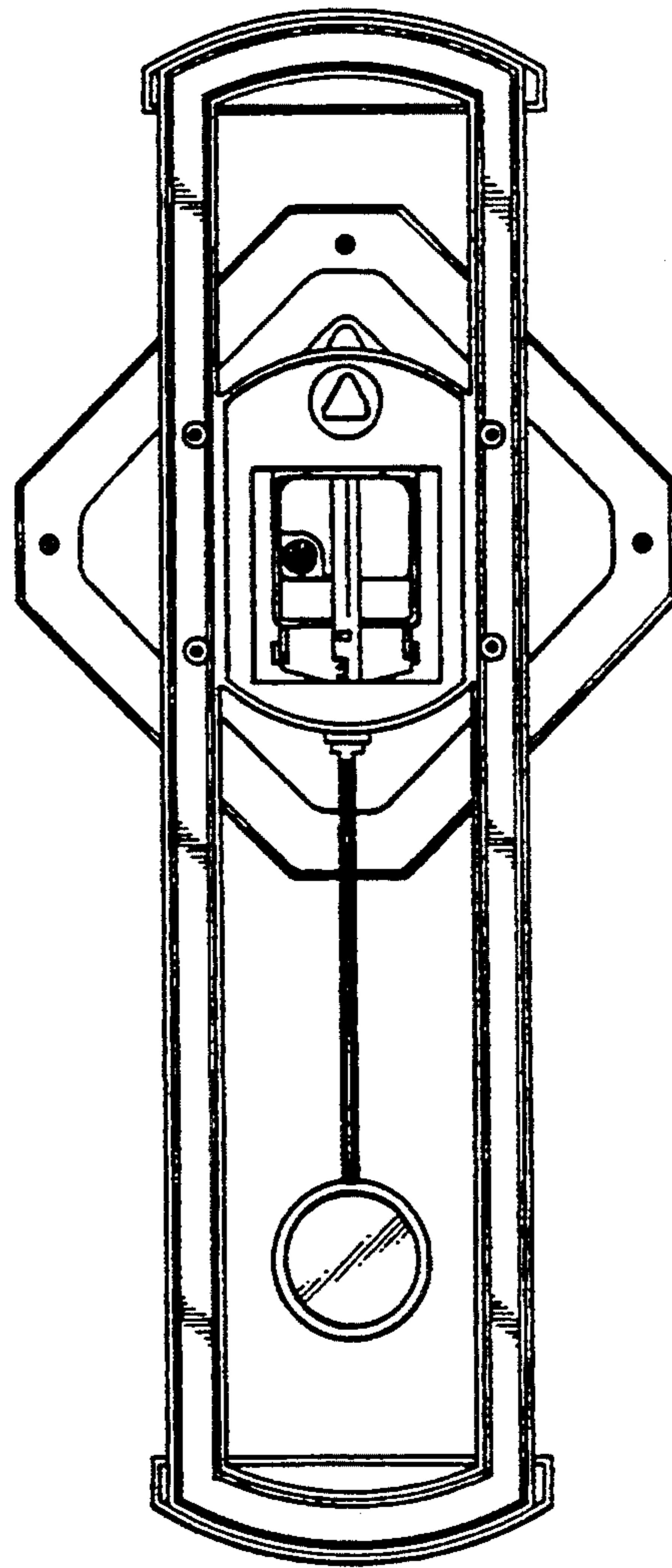


FIG. 3

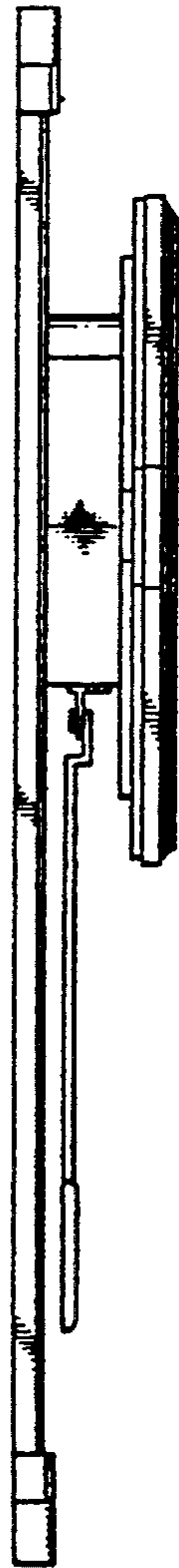


FIG. 4

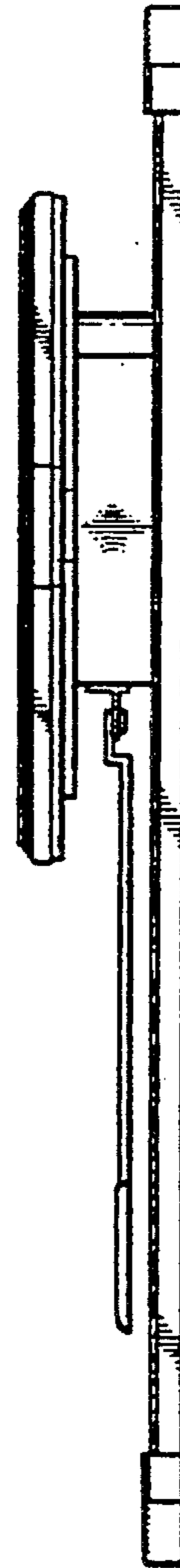


FIG. 5



FIG. 6

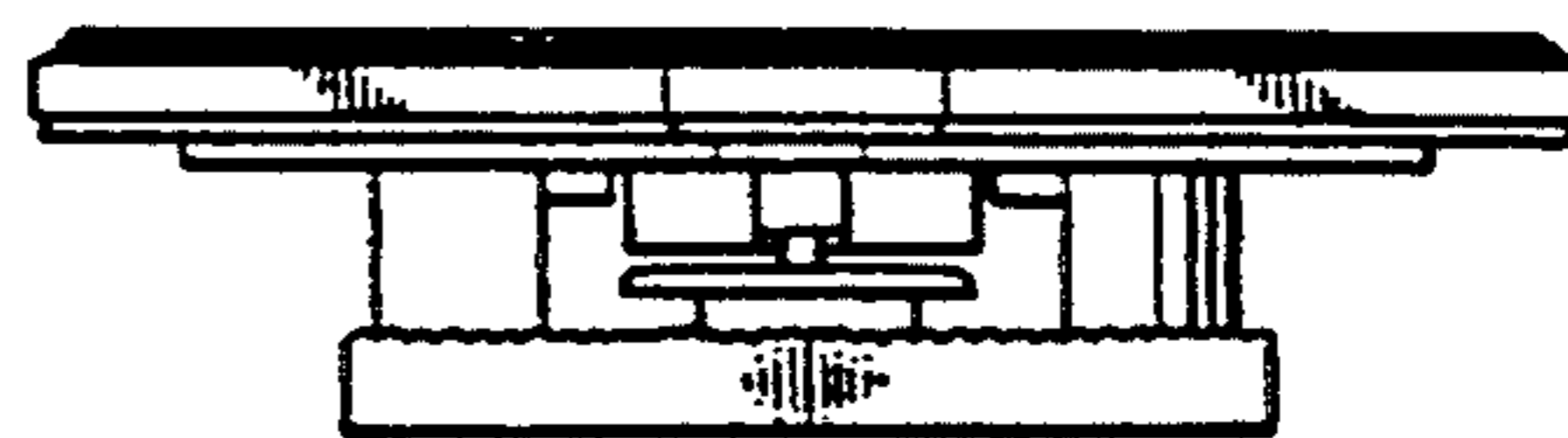


FIG. 7